



Commercial Vehicle Business Unit

Product Spare Parts Catalogue

Model	TATA ACE MAGIC CNG BS-IV,7(1+3+3)SEATER,WITHOUT CO-DRIVER SEAT, 275 CNG BS-IV ENGINE,GBS 65-5/5.27 GEARBOX,BANJO REAR AXLE, 12" TYRE,BS-IV,MECH.STEERING,DOMESTIC
Model Category	ACE
VC No	55233320000R
Chassis Type	445355
Engine Type	275 CNG BS-IV
Fuel Type	DIESEL



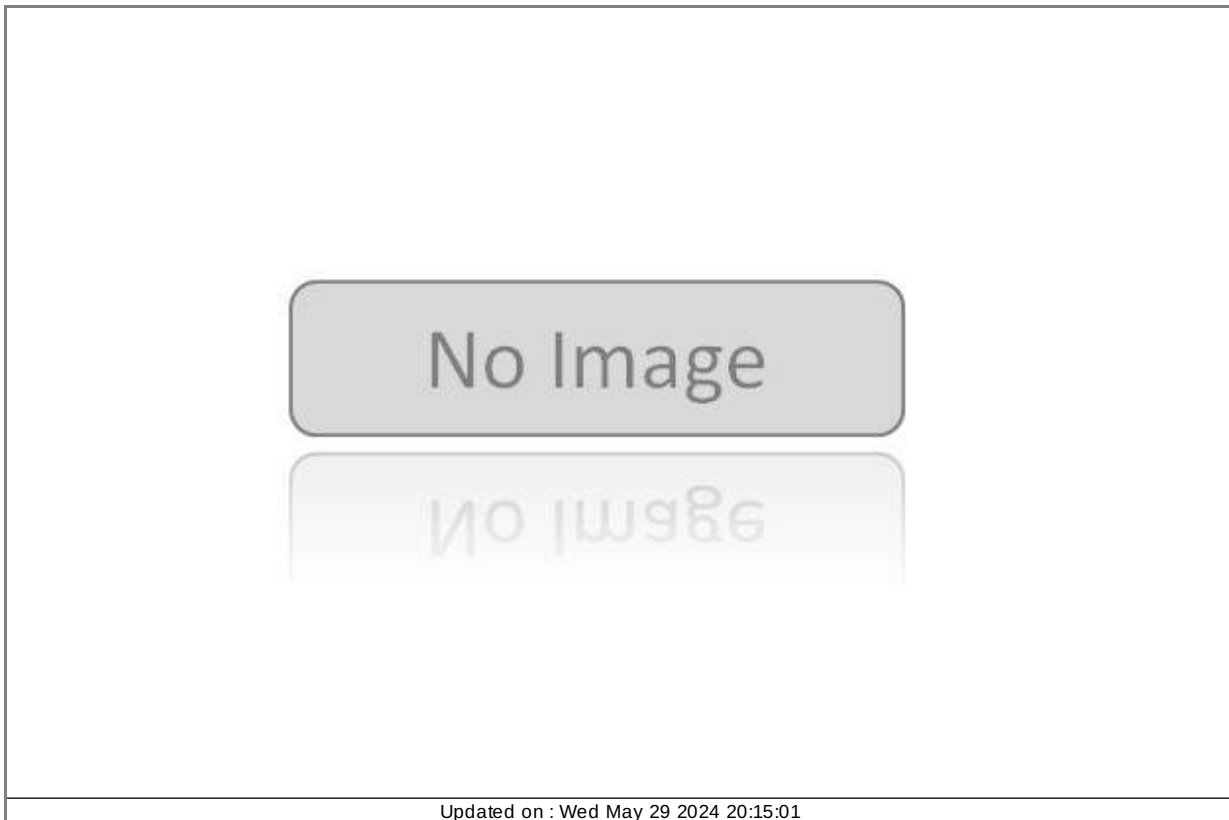
Updated on: Wed May 29 2024 20:15:01

Table Of Contents

Table Of Contents	1
ENGINE	3
5708410200R.01-275 CNG ENGINE BS IV ACE MAGIC	3
5708410200R.02-HALF BLOCK	4
5708410200R.03-ENGINE GASKET KITS	5
5708310201R.01-CYLINDER CRANKCASE	8
5708310201R.02-CYLINDER HEAD	9
5708310201R.03-CYLINDER HEAD COVER	11
5708310103R.01-ENGINE MOVING PARTS	12
5708310105R.01-ENGINE TIMING	15
5708310107R.01-FUEL INJECTION PUMP	16
5708310209R.01-AIR FILTER (CNG - PASSENGER)	17
5708410214R.01-EXHAUST INLET MANIFOLD	18
5708410115R.01-ENGINE ELECTRICALS	19
5708310118R.01-ENGINE LUBRICATION	20
5708310120R.01-ENGINE COOLING	21
2788210124R.01-ENGINE MOUNTING	22
CLUTCH	23
2724101025R.01-170 DIA. CLUTCH FOR ACE 0.75T WITH G-65; 5	23
GEARBOX	24
2851011226R.01-ASSY GEARBOX COMPLETE G-65. 5S/5.27 FOR CNG	24
2851011226R.02-GEAR SHIFTING LEVER	27
2851011226R.03-GEAR SHIFTING	28
2851011226R.04-MAIN SHAFT	30
2851011226R.05-COUNTER SHAFT	32
CONTROLS	33
2829942029R.01-CLUTCH AND BRAKE CONTROL - PEOPLE CARRIER	33
ACCELERATOR	34
2829122030R.01-ACCELERATOR CONTROL ACE CNG	34
FRAME	35
2829942031R.01-FRAME PARTS	35
SUSPENSION	36
2829792032R.01-FRONT SUSPENSION	36
2829792032R.02-FRONT SPRING (PARTS)	37
2829792032R.03-REAR SUSPENSION	38
2829792032R.04-REAR SPRING (PARTS)	39
FRONT AXLE	40
2829052033R.01-FRONT AXLE	40
2829052033R.02-FRONT DISC BRAKE ASSY	42
REAR AXLE	44
2850011035R.01-REAR AXLE (BANJO TYPE) 4.44(40/9) RATIO	44
2850011035R.02-REAR BRAKE ASSEMBLY (BIL)	48
2850011035R.03-REAR BRAKE ASSEMBLY (KBX)	50
WHEELS	52
2829172040R.01-WHEEL (MAGIC)	52
PROPELLER SHAFT	53
2829742041R.01-PROPELLER SHAFT (5 SPPED GB)	53
BRAKES	54
2829172042R.02-ASSEMBLY PARKING BRAKE	54
2829492043R.01-HYDRAULIC LINES - PEOPLE CARRIER CNG MAGIC	55
STEERING	57
2829222046R.01-STEERING COLUMN & ASSEMBLY	57
2829222046R.02-STEERING GEAR BOX (M/S RANE) Valid till May 2011	58
2829222046R.03-STEERING GEAR BOX (M/S FORNI)	59
2829222046R.04-STEERING LINKAGE ITEMS	60
5523302046R.02A-STEERING GEAR BOX (M/S RANE) Valid From June 2011	61
FUEL SYSTEM	62
2829942047R.01-FUEL SYSTEM - CNG (PEOPLE CARRIER) -I-BS-IV	62
2829942047R.02-FUEL SYSTEM - CNG (PEOPLE CARRIER) -II-BS-IV	64
2829942047R.03-FUEL SYSTEM - CNG (PEOPLE CARRIER) -III-BS-IV	66
EXHAUST SYSTEM	68
2829942049R.01-EXHAUST SYSTEM (CNG-PEOPLE CARRIER) BS-IV	68

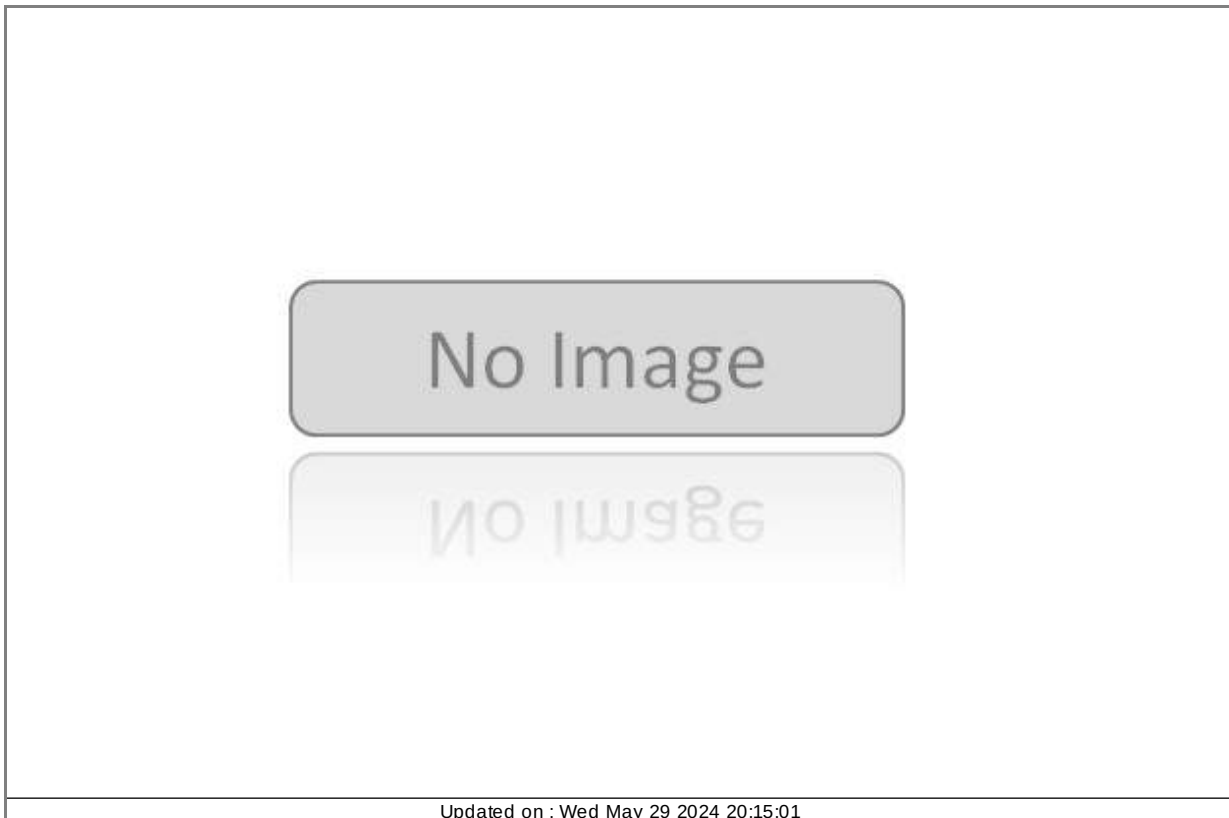
RADIATOR	69
5708310150R.01-RADIATOR	69
ELECTRICALS	71
2829942054R.01-ELECTRICAL EQUIPMENTS (ACE MAGIC CNG) BS-IV	71
STICKERS	73
2829122055R.01-STICKERS (CNG)	73
TOOLS	74
2829492058R.01-TOOLS	74
BODY	75
5523332060R.01-CAB PARTS (FITTED) (ACE MAGIC CNG) BS-IV	75
5523332060R.02-CAB PARTS (WELDED) (ACE MAGIC)	76
5523332060R.03-SIDE WALL RH AND CANOPY MOUNTING - ACE MAGIC	77
5523332060R.04-SIDE WALL LH - ACE MAGIC CNG	78
2829492066R.01-STRCUTURE -ACE MAGIC CNG	79
2829172067R.01-FRONT WINDSHIELD	80
2829492068R.01-DASH BOARD (ACE MAGIC CNG)	81
2829492068R.02-CARPET AND INSULATION	82
2829172072R.01-FRONT DOOR FITMENT	83
2829172072R.02-FRONT DOOR GLASS	84
2829172072R.03-DOOR LOCK AND LINKS	85
2829172073R.01-REAR DOOR FITMENTS	86
2829172074R.01-TAIL GATE DOOR	87
2829492079R.01-PASSENGER CABIN FITMENTS (ACE MAGIC CNG)	88
5523332081R.01-INTERNAL AND EXTERNAL FITMENTS - 1	89
5523332081R.02-INTERNAL AND EXTERNAL FITMENTS - (MAGIC)	90
5523332081R.03-PLUG BUTTONS	91
2829172082R.01-WINDSHIELD WIPER	92
2829172088R.01-FRONT BUMPER	93
2829172088R.02-REAR BUMPER	94
5523332091R.01-SEATS (MAGIC) 6+1 SEATER (1+3+3)	95
2829492092R.01-SEAT BELT KIT- PASSENGER	96

VC No : 55233320000R Group : (00) ENGINE Table : (5708410200R.03-ENGINE GASKET KITS)				
Fig.	Part No	Part Description	Qty	Remarks
-	570801990101	ENGINE OVERHAUL GASKET KIT SEAL KIT	1	
	-----	GASKET (REAR COVER CRANKCASE)	1	
	-----	SEALING WASHER (OIL SUMP DRAIN PLUG)	1	
	-----	OIL SUMP GASKET	1	
	-----	GASKET - CYLINDER HEAD	1	
	-----	SEALING WASHER 14X20 IS3175-CU	1	
	-----	GASKET (FOR OIL PUMP)	1	
	-----	GASKET (FOR OIL PUMP STRAINER)	1	
	-----	GASKET (FOR WATER PUMP)	1	
	-----	GASKET (FOR WATER BYPASS TUBE)	1	
	-----	GASKET (FOR WATER INLET ELBOW)	1	
	-----	SEALING WASHER 16X20 IS3175 CU	6	
	-----	SET GASKET CYL.HEAD COVER(ALU)	1	
	-----	GASKET-BAFFLE (CYLINDER HEAD COVER)	1	
	-----	GASKET	1	
	-----	GASKET (FOR INLET MANIFOLD)	1	
	-----	ASSY GASKET (EXHAUST MANIFOLD)	1	
	-----	O-RING 42.52X2.62 A NITRILE TS16222	1	
	-----	SEAL THERMOSTAT	1	
	-----	SEALING WASHER (FOR CYL.HEAD COVER)	1	
	-----	GASKET (THROTTLE BODY)	1	
	-----	SEALING WASHER 14X20 IS3175-CU	2	
	-----	OIL SEAL-CRANKSHAFT (REAR)	1	
	-----	OIL SEAL-CRANKSHAFT (FRONT)	1	
	-----	OIL SEAL (CAMSHAFT-FRONT)	1	



VC No : 55233320000R Group : (00) ENGINE Table : (5708410200R.03-ENGINE GASKET KITS)

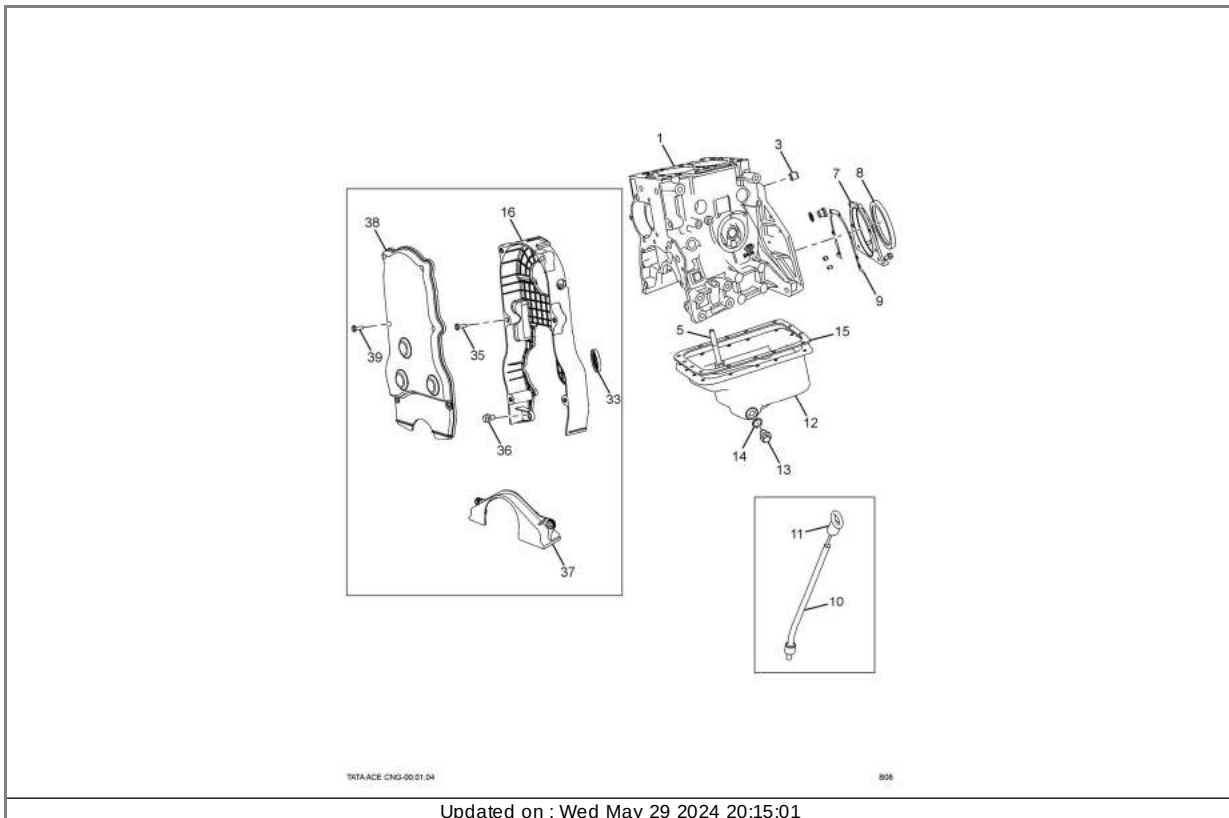
Fig.	Part No	Part Description	Qty	Remarks
	-----	VALVE GUIDE SEAL	4	
-	570814990101	DECARBONISING GASKET KIT	1	
	-----	GASKET - CYLINDER HEAD	1	
	-----	SET GASKET CYL.HEAD COVER(ALU)	1	
	-----	ASSY GASKET (EXHAUST MANIFOLD)	1	
-	570801990113	ENGINE OVERHAUL GASKET KIT	1	
-	-	CONSISTS OF:-		
-	-	SEALING WASHER 14X20	1	
-	-	SEALING WASHER 16X20	1	
-	-	O-RING 42.52 X 2.62	1	
-	-	GASKET	1	
-	-	SEAL WASHER OIL SUMP DRAIN	1	
-	-	SEALING WASHER-FOR CYL.HEAD COVER	6	
-	-	GASKET-FOR STRAINER	1	
-	-	GASKET WATER PUMP	1	
-	-	GASKET WATER BYPASS	1	
-	-	GASKET WATER INLET ELBOW	1	
-	-	SEAL THERMOSTAT	1	
-	-	GASKET FOR INLET MANIFOLD	1	
-	-	GASKET (THROTTLE BODY)	1	
-	-	OIL SUMP GASKET	1	
-	-	GASKET (REAR COVER CRANKCASE)	1	
-	-	GASKET (FOR OIL PUMP)	1	
-	-	GASKET-BAFFLE (CYLINDER HEAD COVER)	1	
-	-	ASSY.GASKET EXHAUST MANIFOLD	1	



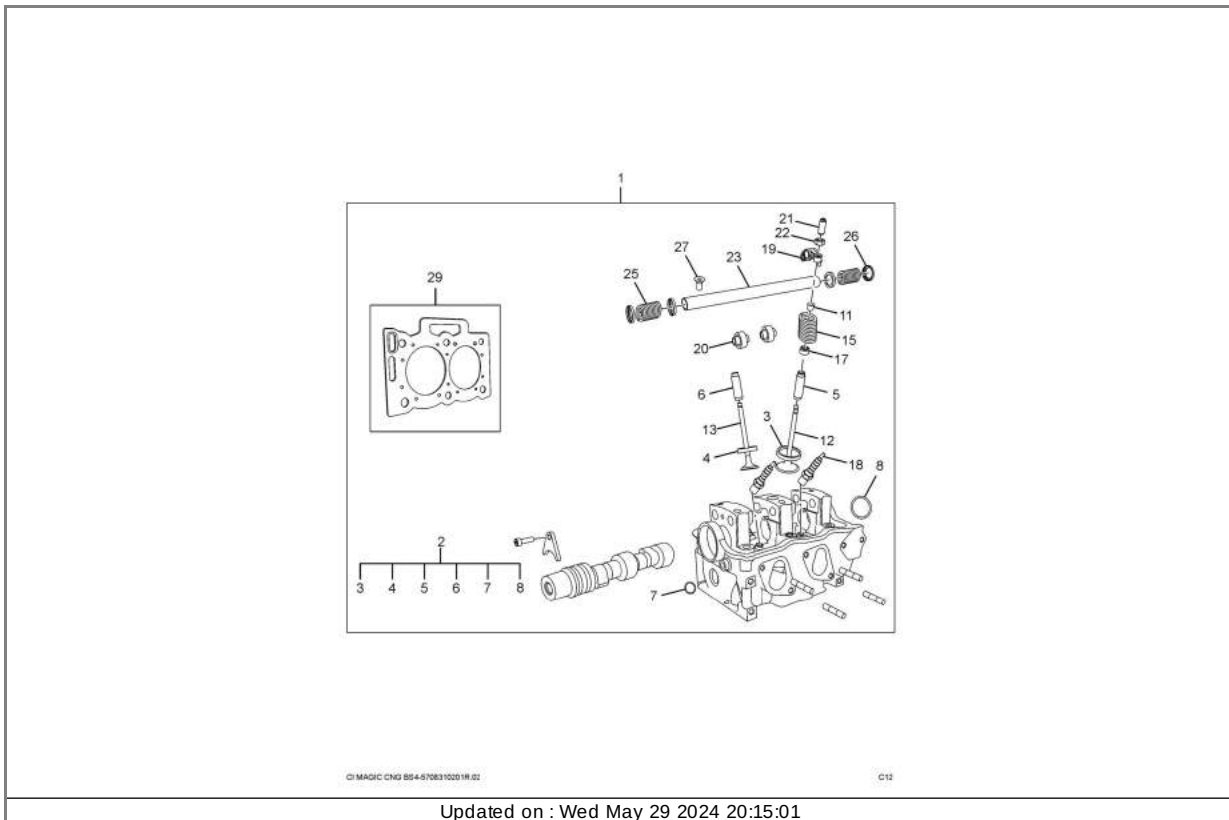
Updated on : Wed May 29 2024 20:15:01

VC No : 55233320000R Group : (00) ENGINE Table : (5708310201R.01-CYLINDER CRANKCASE)

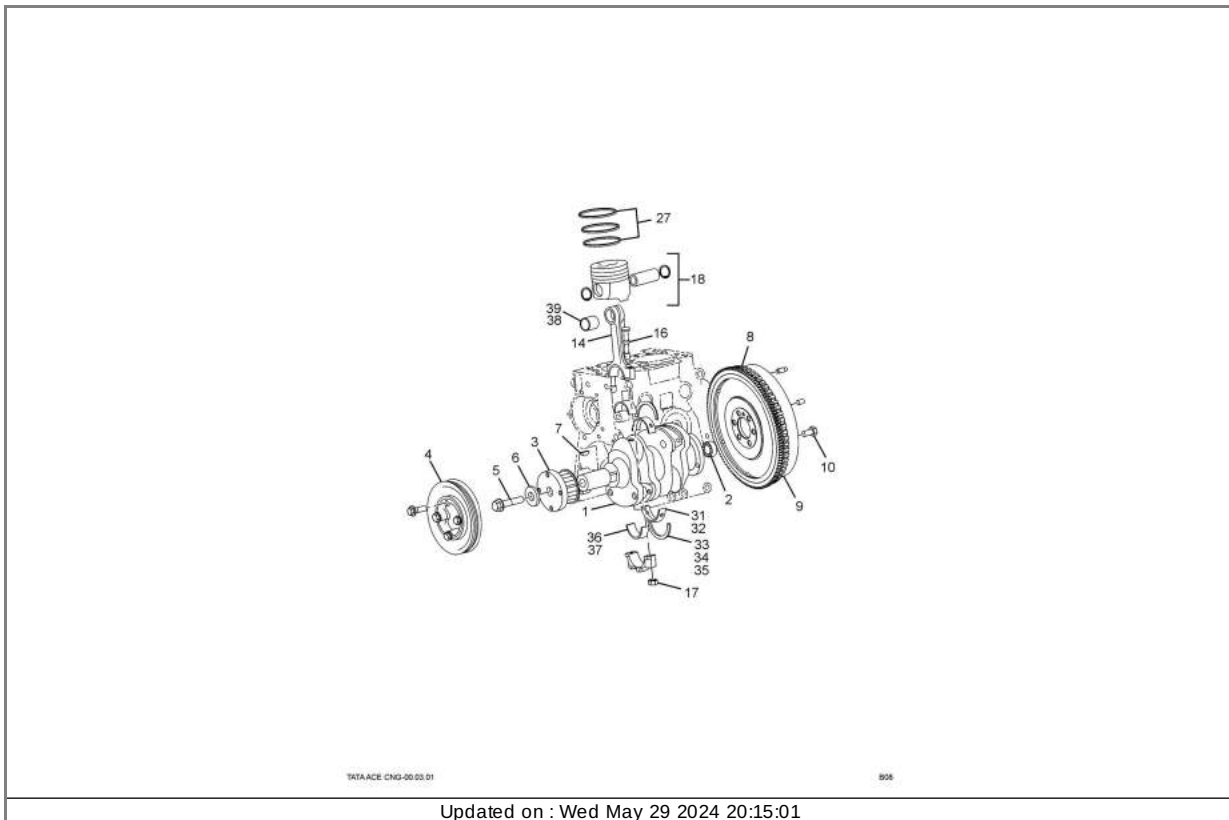
Fig.	Part No	Part Description	Qty	Remarks
1	278801100102	ASSY. CYLINDER CRANKCASE BS2/3/4	1	
-	254914108204	CORE PLUG 25 DIA.	3	
3	269026104802	DOWEL SLEEVE (FRONT HALF TO INT.PLATE)	2	
-	279001104801	DOWEL 6h6X10	1	
-	279001104802	HOLLOW DOWEL 14H6X10.5X14L	2	
-	279001104803	HOLLOW DOWEL 8h6x6.5x8L	2	
5	279001103201	HEX.BOLT (FOR M.B.CAP)	6	
7	279001143802	REAR COVER - CRANKCASE (HOLLOW DOWEL)	1	
8	279001107802	OIL SEAL (CRANKSHAFT REAR) BS1/2/3/4/6	1	
9	279101145301	GASKET (REAR COVER CRANKCASE)	1	
10	278801170101	ASSY DIPSTICK TUBE	1	
11	278801170102	ASSY DIPSTICK	1	
12	278801130103	ASSY OIL SUMP COMPLETE (CORK GASKET) (BS II & III)	1	
13	269026107202	MAGNETIC DRAIN PLUG	1	
14	279001139201	SEALING WASHER (OIL SUMP DRAIN PLUG)	1	
15	278801135304	GASKET-OIL SUMP BS2/3/4/6	1	
16	279101140120	ASSY TIMING COVER (REAR)	1	
33	279001107801	OIL SEAL (CRANKSHAFT-FRONT) BS1/2/3/4/6	1	
35	-----	HEX FL SCREW M8X18	1	NOT SERVICED
36	-----	HEX FL SCR M10X14	1	NOT SERVICED
37	279801140104	ASSY TIMING COVER (BOTTOM - FRONT)	1	
38	279101140121	ASSY TIMING COVER (FRONT)	1	
39	-----	HEX FL SCR M6X30	1	NOT SERVICED



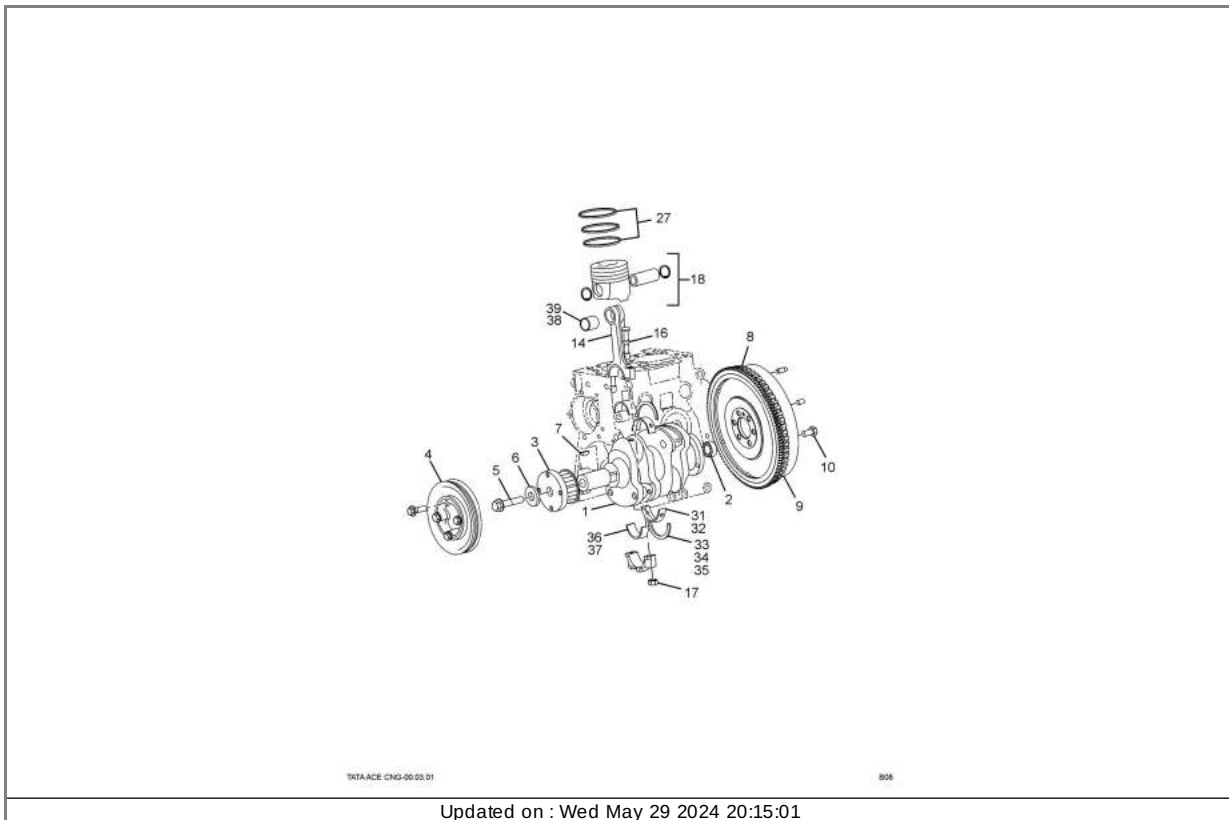
VC No : 55233320000R Group : (00) ENGINE Table : (5708310201R.02-CYLINDER HEAD)				
Fig.	Part No	Part Description	Qty	Remarks
1	-	ASSY. CYLINDER HEAD W/VALVES BS2/3/4	1	NOT SERVICED
2	570801150106	ASSY. CYLINDER HEAD W/O VALVES BS2/3/4	1	
3	279101153416	VALVE SEAT INSERT-INLET	2	
4	279101153410	VALVE SEAT INSERT-EXHAUST	2	
5	279005153701	VALVE GUIDE INLET NORMAL	2	
6	279105153703	VALVE GUIDE-EXHAUST	2	
7	279101158203	CORE PLUG (8 DIA.)	2	
8	279101158201	CORE PLUG (39 DIA.)	1	
-	254914108204	CORE PLUG 25 DIA.	3	
11	279005157801	VALVE GUIDE SEAL BS1/2/3/4	4	
-	570801990106	SET INLET & EXHAUST VALVE CONSISTS OF	1	
12	279105125121	INTAKE VALVE (CNG)MPFI	2	
13	279105125117	EXHAUST VALVE (DUROVALVES)	2	
15	279105128701	VALVE SPRING	4	
17	279005124301	LOCK HALF	8	
18	270215409924	SPARK PLUG BS2/3/4	2	
19	279105140104	ASSY ROLLER ROCKER ARM W/H ROLLER BRG.	4	
21	279105148001	ADJUSTING SCREW (FOR ROCKER ARM)	4	
22	279105149901	ROCKER NUT	4	
23	570805140101	ASSY ROCKER SHAFT WITH SEALING CAP	2	
-	279001158202	CORE PLUG (10 DIA.)	4	
25	279105148701	SPRING (ROCKER ARM SHAFT)	4	
26	279105148201	ROCKER SPRING SEAT	8	
27	279105118001	SCREW M6X12.5 (TIMING GEAR CAMSHAFT)	1	
29	570801151601	GASKET CYL. HEAD BS2/3/4	1	



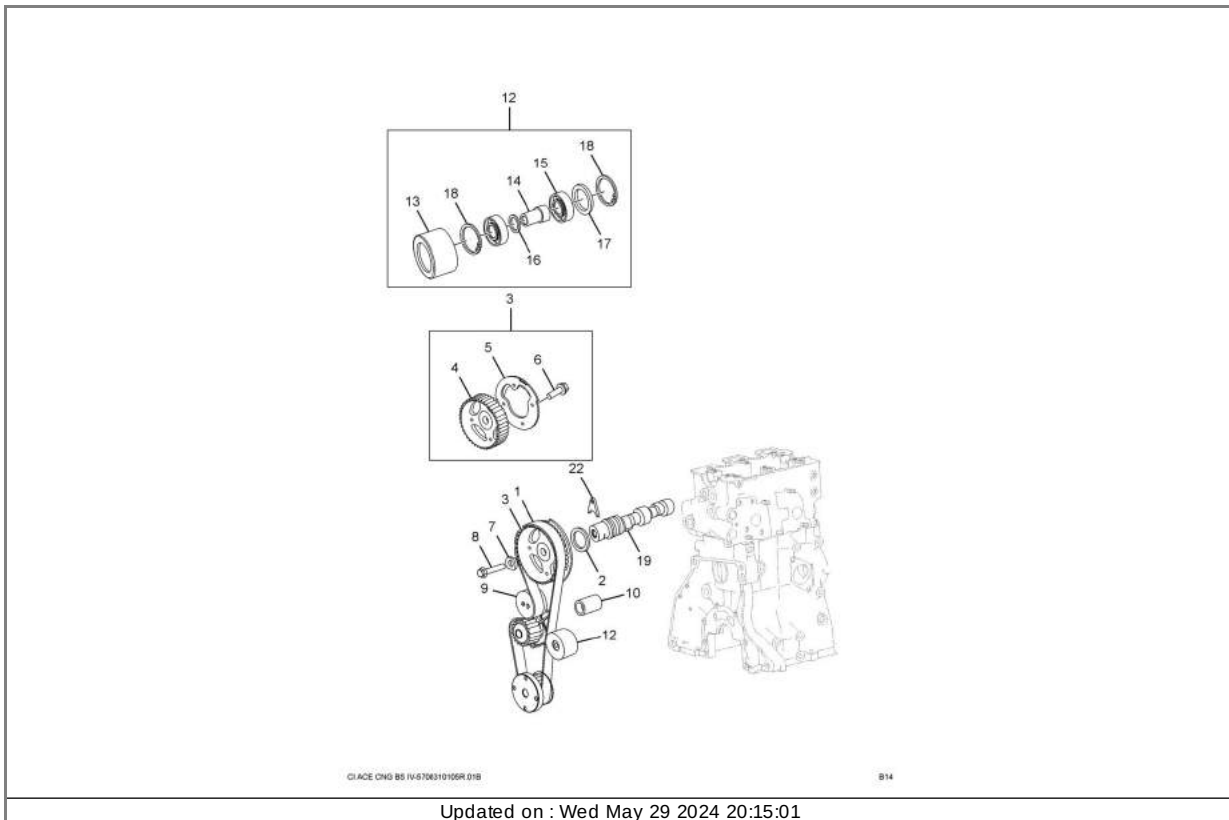
VC No : 55233320000R Group : (00) ENGINE Table : (5708310103R.01-ENGINE MOVING PARTS)				
Fig.	Part No	Part Description	Qty	Remarks
1	278803100108	ASSY. CRANKSHAFT W/PIN NORMAL BS2/3/4	1	
2	15020502018	SRDG BEARING 12 BC BS1/2/3/4/6	1	
3	279005110107	ASSY GEAR (FOR CRANKSHAFT) (SINTERED)	1	
4	279103133701	PULLEY CRANKSHAFT-ALT.DRIVE (4-GROOVES)	1	
5	279003133201	HEX.BOLT (FOR CRANKSHAFT GEAR)	1	
6	279003138601	WASHER (FOR CRANKSHAFT GEAR)	1	
7	254703105901	KEY	1	
8	570803110101	ASSY FLYWHEEL COMPLETE.	1	
9	279003115401	RING GEAR BS1/2/3/4/6	1	
10	279003113201	HEX.BOLT (FOR FLYWHEEL)	6	
14	279803150103	ASSY CONNECTING ROD W/O BRG.SHELL	2	
16	279003153203	BOLT (FOR CONNECTING ROD)	4	
17	279003156501	NUT (FOR CONNECTING ROD)	4	
18	570803990109	SET-PISTON W/O RING GRADE-A BS2/3/4	1	FOR SELECTION
	-----	CONSISTS OF:		
-	-----	PISTON GRADE A	2	
-	-----	PISTON PIN	2	
-	-----	CIRCLIP	4	
18	570803990110	SET PISTON W/O RINGS GRADE B	1	FOR SELECTION
	-----	CONSISTS OF:		
-	-----	PISTON GRADE B	2	
-	-----	PISTON PIN	2	
-	-----	CIRCLIP	4	
18	570803990111	SET PISTON W/O RINGS GRADE C	1	FOR SELECTION
	-----	CONSISTS OF:		



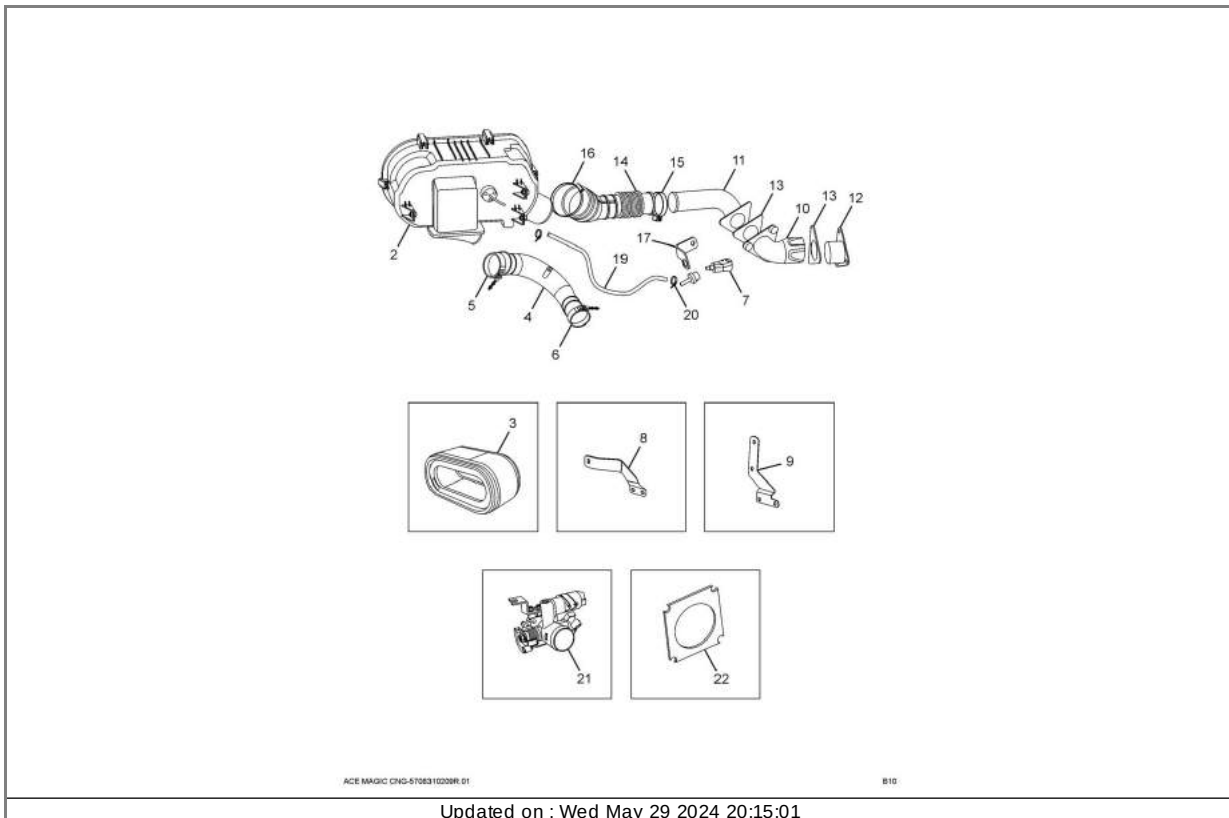
VC No : 55233320000R Group : (00) ENGINE Table : (5708310103R.01-ENGINE MOVING PARTS)				
Fig.	Part No	Part Description	Qty	Remarks
-	-----	PISTON GRADE C	2	
-	-----	PISTON PIN	2	
-	-----	CIRCLIP	4	
27	570803990115	SET PISTON RINGS BS2/3/4	1	
	-----	CONSISTS OF:		
-	-----	TOP RING (STD)	2	
-	-----	TAPER FACED RING (STD)	2	
-	-----	ASSY OIL CONTROL RING (STD)	2	
31	278803990102	SET-MAIN BRG HALF(UPP/LOW)NORMAL BS2/3/4	1	FOR SELECTION
	-----	CONSISTING OF:		
32	-----	MAIN BRG.HALF STD.	6	
31	278803990123	SET MAIN BRG.HALF RS-I (C/SHAFT) BS2/3/4	1	FOR SELECTION
	-----	CONSISTING OF:		
32	-----	MAIN BRG.HALF R-1	6	
31	278803990124	SET-MAIN BRG.HALF R-II (CR.SHAFT)BS2/3/4	1	FOR SELECTION
	-----	CONSISTING OF:		
32	-----	MAIN BRG.HALF R-2	6	
33	278803990104	SET-THRUST WASHER(BIMETAL) BS1/2/3/4/6	1	
	-----	CONSISTING OF:		
34	-----	THRUST WASHER LOWER	2	
35	-----	THRUST WASHER UPPER	2	
36	278803990120	SET-BRG HALF CON.ROD NORMAL BS2/3/4	1	FOR SELECTION
	-----	CONSISTING OF :		
37	-----	BRG.HALF CON ROD (STD)	4	
36	278803990121	SET-BRG.HALF R-I (CON.ROD) BS2/3/4	1	FOR SELECTION



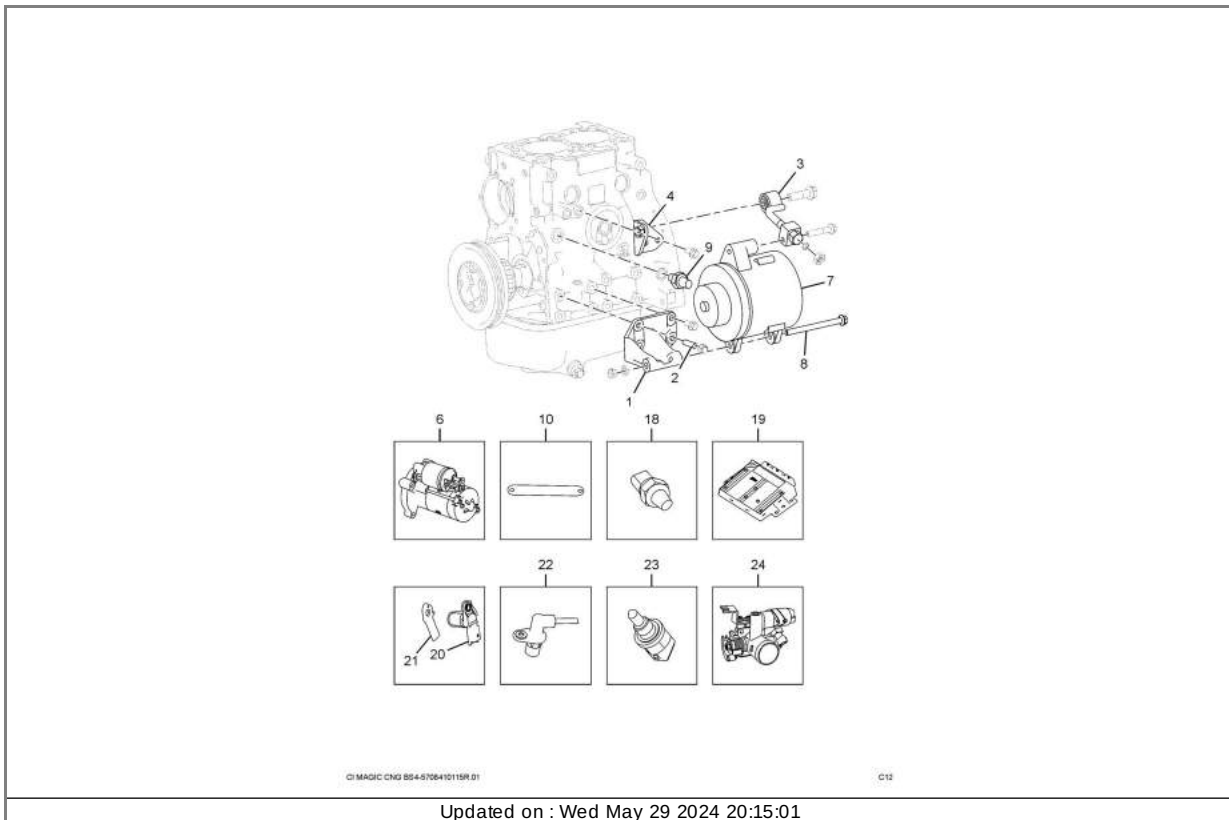
VC No : 55233320000R Group : (00) ENGINE Table : (5708310105R.01-ENGINE TIMING)				
Fig.	Part No	Part Description	Qty	Remarks
1	279105116301	TIMING BELT BS2/3/4	1	
2	254701157814	OIL SEAL (CAMSHAFT) BS1/2/3/4/6	1	
3	279105110103	ASSY TIMING GEAR (CAMSHAFT)	1	
4	279105115403	TIMING GEAR (CAMSHAFT)	1	
5	279105117102	SENSOR PLATE (CAMSHAFT GEAR)	1	
6	279105118001	SCREW M6X12.5 (TIMING GEAR CAMSHAFT)	4	
7	279005119201	WASHER (FOR CAMSHAFT GEAR)	1	
8	279005103201	HEX BOLT (CAMSHAFT GEAR MTG.)	1	
9	279005110101	ASSY. TIMING BELT TENSIONER BS1/2/3/4/6	1	
10	279005118606	SPACER(TIMING BELT TENSIONER)CYLINDRICAL	1	
12	279005110103	ASSY. TIMING BELT IDLER BS1/2/3/4	1	
13	-	ROLLER (FOR ASSY IDLER)	1	SERVICED UNDER 279005110103
14	-	SHAFT (FOR IDLER)	1	SERVICED UNDER 279005110103
15	15020598015	D.G. BALL BRG.	2	
16	254705118604	SPACER	1	
17	254705118605	SPACER	1	
18	14580604006	INTERNAL CIRCLIP40X1.75N	2	
-	279005119202	WASHER (FOR TIMING BELT IDLER)	1	
19	570805107902	CAMSHAFT (ROLLER ROCKER) BS2/3/4	1	
22	279205109202	CAM THRUST PLATE (FRONT)	1	



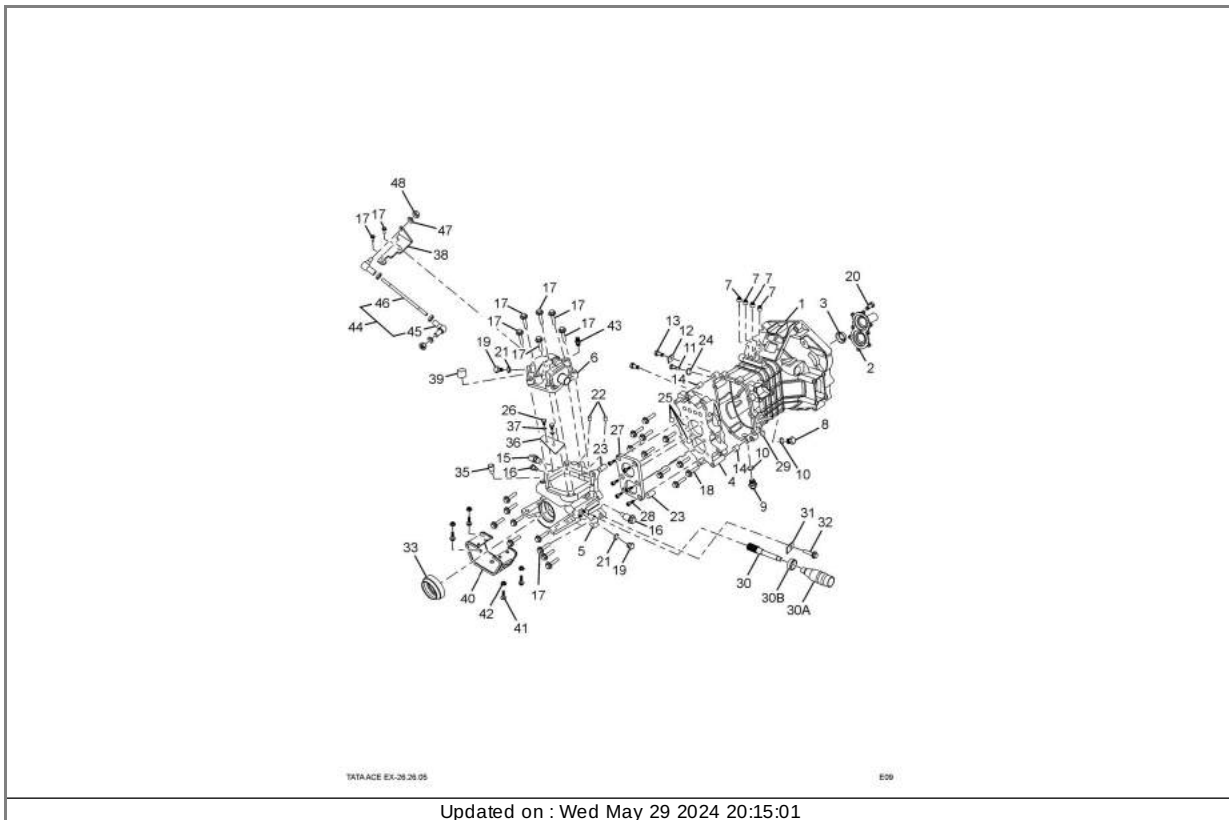
VC No : 55233320000R Group : (00) ENGINE Table : (5708310209R.01-AIR FILTER (CNG - PASSENGER))				
Fig.	Part No	Part Description	Qty	Remarks
-	570809130109	ASSY AIR CLEANER, HOSE & CLAMP	1	
2	570809130105	ASSY AIR CLEANER FOR CNG	1	
3	570809130108	ASSY FILTER ELEMENT	1	
4	570809130104	ASSY HOSE WITH TUBE	1	
5	570809134201	HOSE CLAMP-CONSTANT TORQUE	1	
6	570809134202	HOSE CLAMP-CONSTANT TORQUE	1	
7	570809130107	ASSY SERVICE INDICATOR.	1	
8	570809137103	AIR FIL MTG BKT-RH	1	
9	570809137102	AIR FIL MTG BKT-LH	1	
10	278809130107	ASSY RUBBER HOSE (FOR INTAKE SYSTEM)	1	
11	278809136305	ELBOW FOR AIR INTAKE SYSTEM	1	
13	278809135301	GASKET (FOR ASSY RUBBER HOSE)	3	
14	278809135808	INTAKE HOSE(ELBOW TO AIR FILTER)	1	
15	14280500705	HOSE CLAMP 70	1	
16	14280500900	HOSE CLAMP 90	1	
17	252709138247	BRACKET (SERVICE INDICATOR MOUNTING).	1	
16	278609130181	ASSY ADAPTOR (FOR SERVICE INDICATOR)	1	
19	252550106918	PIPE (400 L)	1	
20	252550104201	CLAMP	2	
21	570815210101	ASSY THROTTLE BODY	1	
22	570509125301	GASKET (THROTTLE BODY)	1	



VC No : 55233320000R Group : (00) ENGINE Table : (5708410115R.01-ENGINE ELECTRICALS)				
Fig.	Part No	Part Description	Qty	Remarks
1	278815143701	ALTERNATOR MTG.BKT-CAST	1	
2	279023128802	STUD (FOR A.C. & ALT. BRACKET)	2	
3	279015140120	ASSY CLAMP ROD (COMPLETE) 140 MM	1	
4	278815140102	ASSY BRACKET (ALTERNATOR - UPPER)	1	
6	282915109903	STARTER MOTOR BS2/3/4	1	
7	282915409901	ALTERNATOR 12V, 40A-4 GROOVE PULLEY	1	FOR SELECTION
7	282915409921	ALTERNATOR 12V, 40A-4 GROOVE PULLEY	1	FOR SELECTION
8	-----	HEX FLANGED BOLT M8 X 55	1	
9	265454509913	LOW OIL PRESSURE SWITCH BS1/2/3/4/6	1	
10	282954109916	EARTH STRAP	1	
18	270254219909	DUAL TEMPERATURE TRANSDUCER BS1/2/3/4	1	
19	570815210104	ECU A33 (AFS) ACE CNG BS IV	1	
20	570815219902	CAM SENSOR	1	
21	570815200101	ASSY BRACKET CAM SENSOR	1	
-	279115207704	RUBBER GROMMET (FOR CAM SENSOR DUST SEAL)	1	
22	570815219901	CRANK ANGLE SENSOR	1	
-	570815203802	BRACKET(FOR CRANK ANGLE SENSOR)	1	
23	570515209906	COOLANT TEMPERATURE SENSOR BS2/3/4/6	1	
24	570815210101	ASSY THROTTLE BODY	1	
-	-----	SERVICEABLE PARTS FOR THROTTLE BODY		
-	570815219908	IDLING CONTROL VALVE	1	
-	570815219907	THROTTLE POSITION SENSOR	1	

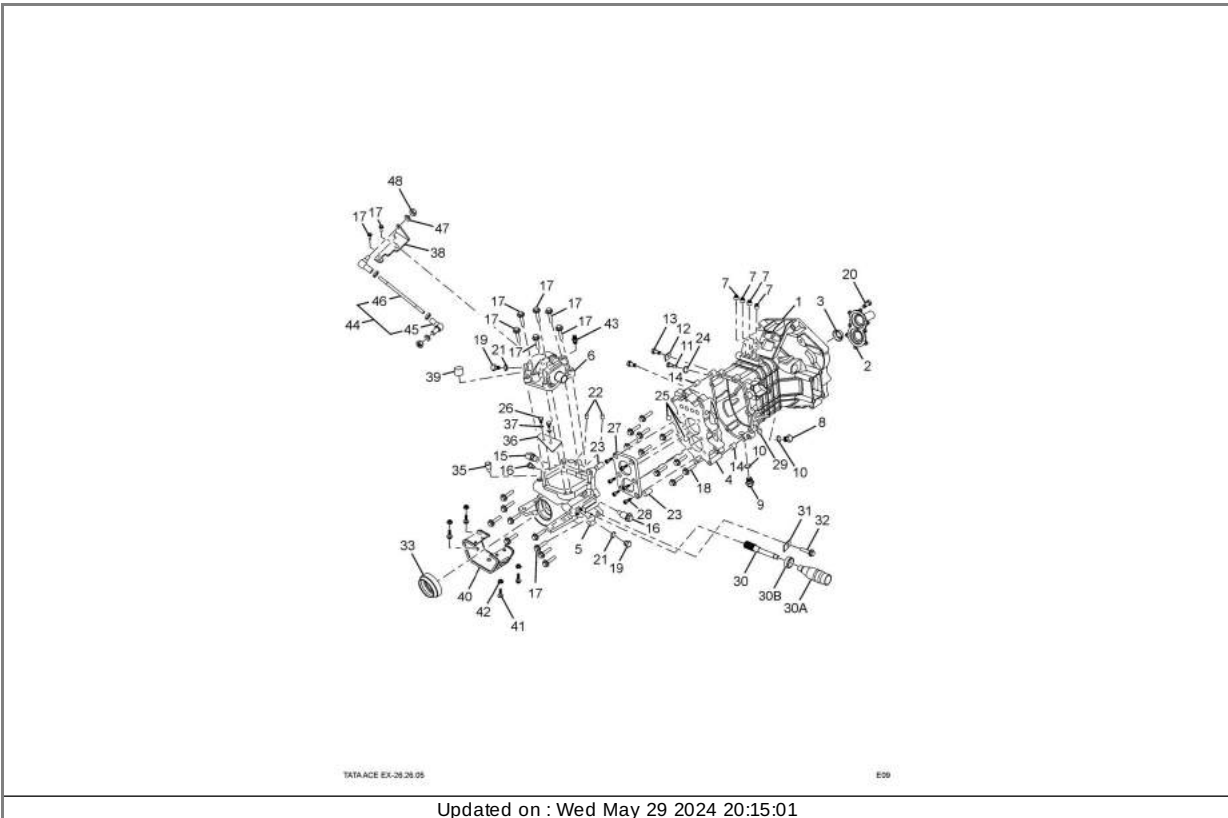


VC No : 552332000R Group : (26) GEARBOX Table : (2851011226R.01-ASSY GEARBOX COMLET G-65. 5S/5.27 FOR CNG)					
Fig.	Part No	Part Description	Qty	Remarks	
-	285126010112	ASSY G65-5/5.27 GEARBOX COMPLETE FOR CNG	1		
-	285126100117	ASSY GEARBOX HOUSING REAR HALF	1		
-	285126100111	SUB. ASSY GEARBOX HOUSING REAR HALF	1		
1	285126103810	FRONT HALF HOUSING BS2/3/4	1		
2	285126253803	GEAR CASE COVER (FRONT)	1		
3	269026257710	OIL SEAL (INPUT SHAFT) BS1/2/3/4/6	1		
4	285126103809	REAR HALF FOR 5 SPEED	1		
5	285126200139	SUB ASSY REAR COVER(LH SPEEDO)WITH SLIDING BUSH	1	Applicable to Gear Box having	
-	886326000004	REAR COVER(RH SPEEDO) - Applicable to Gear Box having Speedo provision on RH Side	1	NOT SERVICED , MORE THAN 10 YR	
6	285126703807	TOP COVER FOR CNG.	1		
-	285126700155	ASSY. TOP COVER BS2/3/4	1		
7	285126107201	PLUG (DETENT SPRING)	4		
8	269026107203	FILLER PLUG	1		
9	269026107202	MAGNETIC DRAIN PLUG	1		
10	16220710240	SEALING WASHER 16X20 IS3175 CU	1		
11	285126106701	PIVOT PIN (REV.SHIFTER LEVER)	1		
12	285126108201	LOCK PLATE (PIVOT PIN)	1		
13	11341508209	HEX FL SCR M8X20 TS17130-8.8-SS8451S2-Y	1		
14	285126104802	DOWEL SLEEVE (FRONT HALF TO REAR HALF)	2		
15	270254509950	REVERSE LIGHT SWITCH BS1/2/3/4	1		
16	285126206701	PIVOT PIN (5TH SWING LEVER)	2		
17	11071508350	HEX FL BOLT M8X35 TS17130 8.8 SS8451-8C	8		
18	11071508384	HEX FL BOLT M8X38 TS17130-8.8-SS8451S2-Y	2		
19	16081001000	SEALING PLUG AM10X1 TS16460 SS8451S2-Y	1		
20	11341508250	HEX FL SCREW M8X25 TS17130 8.8 SS8451-8C	4		

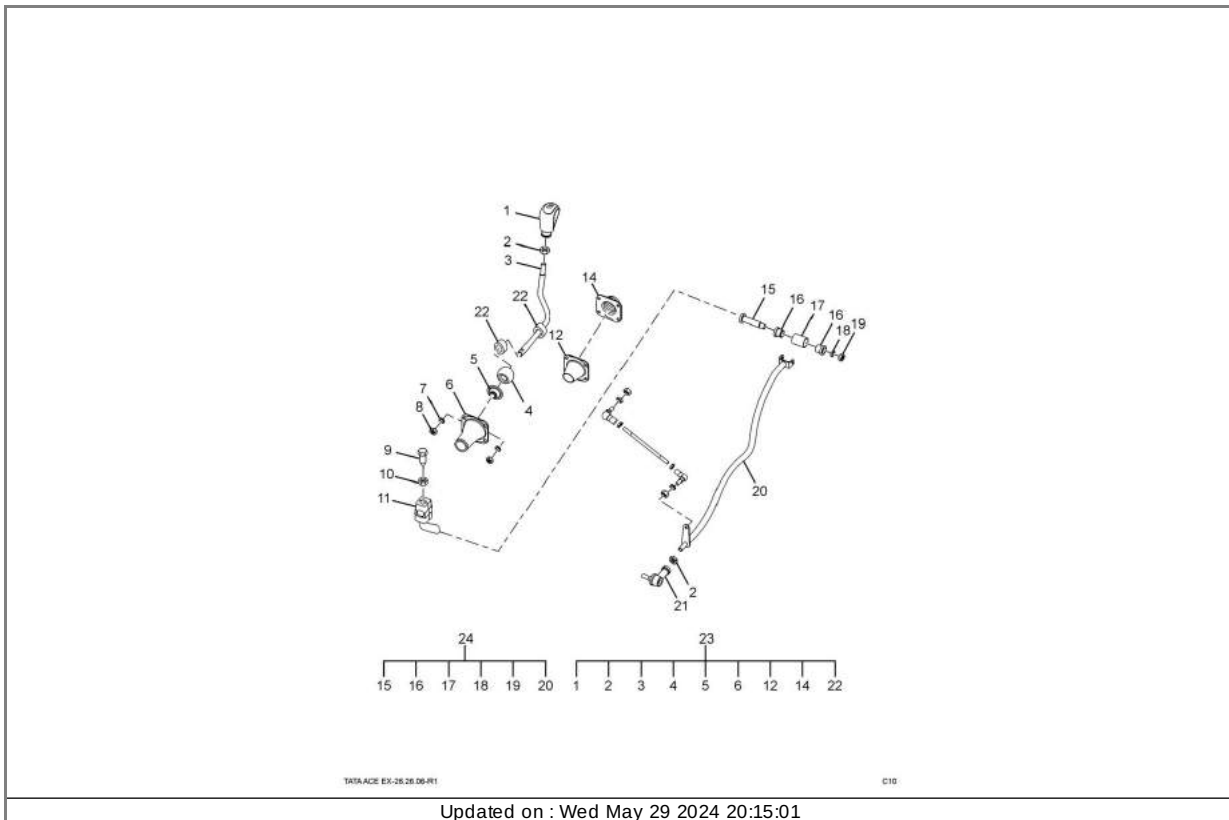


VC No : 55233320000R Group : (26) GEARBOX Table : (2851011226R.01-ASSY GEARBOX COMLET G-65. 5S/5.27 FOR CNG)

Fig.	Part No	Part Description	Qty	Remarks
21	265442809201	SEALING WASHER CU 10X14	1	
22	13050508166	CYL PIN 8M6X16 IS2393	1	
23	285126104801	DOWEL SLEEVE (REAR HALF TO REAR COVER)	2	
24	17050501744	O-RING 19X2.65 TS16220	1	
25	15950101200	BALL 12 DIA GRADE-20-IS2898	4	
26	11412508205	THIN HEAD CAP SCREW M8X20 TS17216	1	
27	285126103803	LOCK PLATE (FOR MAIN SHAFT BRG.)	1	
28	11412508167	THIN HEAD CAP SCREW M8X16 TS17216	6	
29	16082001402	SEALING PLUG - M14X1.5	1	
30	285126200110	ASSY SPEEDO PINION (13/3) PLASTIC VER.	1	
30A	285126209901	SPEEDO ADAPTOR	1	
30B	269026107702	OIL SEAL (SPEEDO SHAFT)	1	
31	269026208204	LOCK PLATE (SPEEDO ADAPTER)	1	
32	269026208001	ASSY HEX SCREW (SPEEDO LOCK PLATE)	1	
33	285126207803	OIL SEAL (MAIN SHAFT) 38X48X8 BS1/2/3/4/6	1	
35	266835150102	PRESSURE RELIEF VALVE	1	
36	285126208607	OIL DEFLECTOR	1	
37	-----	SPRING WASHER B6 IS3063 CD PLATED	1	
38	285126808232	BRACKET (CROSS LINK)	1	
40	285126200126	ASSY BRACKET (GEARBOX MOUNTING)	1	
41	11343510286	HEX FL SCR M10X28 TS17130 8.8 SS8451S2-Y	4	
42	-----	HEX FL NUT BM10 TS17430-8-SS8451-8C	4	
43	284554501604	REVERSE LIGHT SWITCH	1	
44	285126800125	ASSY. CROSS LINK BS2/3/4	1	
45	-----	BALL END ASSY B13 TS15624 SS8451-8C	2	

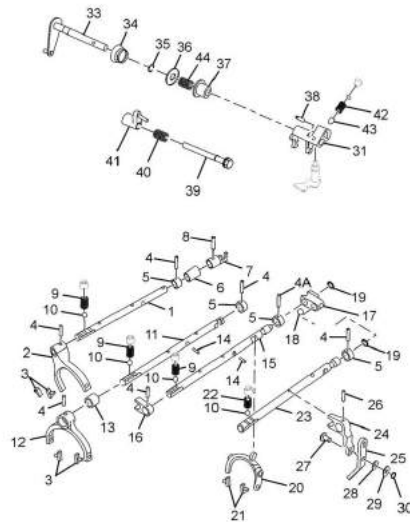


VC No : 55233320000R Group : (26) GEARBOX Table : (2851011226R.02-GEAR SHIFTING LEVER)				
Fig.	Part No	Part Description	Qty	Remarks
1	285126800214	ASSY GEAR SHIFT LEVER KNOB (5 SPEED)	1	
2	12080901206	H THIN NUT M12X1.25IS13724-05SS8451S2-Y	1	
3	285126800122	SUB ASSY GEAR SHIFT LEVER (UPPER PART)	1	
4	269026809907	BALL (GEAR SHIFT LEVER)	1	
5	285126807702	RUBBER BELLOW (LOWER)	1	
6	285126808213	CUP OUTER (BALL SEAT)	1	
7	12520698017	SPRING WASHER B6 IS3063 SS8451-8C	4	
8	12051500600	HEX NUT M6 IS1364P3-8-SS8451-8C	4	
9	269026513201	LOCKING SCREW	1	
10	12080801007	HEX THIN NUT M10 IS1364P4-05-SS8451S2-Y	8	
11	285126800123	SUB ASSY GEAR SHIFT LEVER (LOWER PART)	1	
12	285126808214	CUP INNER (BALL SEAT)	1	
14	285126807703	RUBBER BELLOW (GEAR SHIFT LEVER)	1	
16	269026806310	COLLAR BUSH (SHIFT LINK,LEVER SIDE)	2	
17	285126803509	BOSS (ASSY G.S.LEVER LOWER)	1	
18	-----	SPRING WASHER B8 IS3063 SS8451-8C	3	
19	-----	HEX NUT M8 IS1364P3-8-SS8451-8C	3	
20	285126800158	ASSY SHIFT LINK	1	
21	264126800224	ASSY. BALL JOINT RH THREADS BS1/2/3/4	1	
22	269026806303	BUSH (G.S.LEVER BALL SEAT)	2	
23	285126800246	ASSY.GEAR SHIFT LEVER W/O KNOB (UPPER)	1	For knob part number is 285126
24	285126800160	SUB ASSY SHIFT LINK WITH CROSS LINK	1	



VC No : 55233320000R Group : (26) GEARBOX Table : (2851011226R.03-GEAR SHIFTING)

Fig.	Part No	Part Description	Qty	Remarks
1	285126707913	SHIFTER SHAFT (3/4 SPEED)	1	
2	285126513702	FORK (3RD/4TH SPEED)	1	
3	285126516705	SHIFTER PAD(1ST/2ND/3RD/4TH SP) BS1- 4/6	2	
4	13120507243	DOWEL SLEEVE HEAVY 4X24 TS17616 SS8400	3	
4A	13120507227	DOWEL SLEEVE HEAVY 4X22 TS17616 SS8400	1	
5	285126708602	SPACER (SHIFTER SHAFT)	4	
6	285126708604	SPACER (3/4 SHIFTER SHAFT)	1	
7	285126515104	SHIFTER DOG (3 RD/4 TH SPEED)	1	
8	13120509246	DOWEL SLEEVE HEAVY 5X24 TS17616 SS8400	1	
9	285126518703	SPRING (DETENT)	1	
10	15950100807	BALL 8D	4	
11	285126707914	SHIFTER SHAFT (1ST/2ND SPEED)	1	
12	285126513701	FORK (1ST/2ND SPEED)	1	
13	285126708605	SPACER (1/2 SHIFTER SHAFT)	1	
14	285126703001	NEEDLE ROLLER (INTERLOCK)	2	
15	285126707911	SHIFTER SHAFT (FIFTH SPEED)	1	NON SERVICEABLE REFER ATTACHED
16	285126515101	DOG (5 TH SHIFTER SHAFT)	1	
17	285126515103	SHIFTER DOG (5TH/ REV. SPEED)	1	
18	285126515103	SHIFTER DOG (5TH/ REV. SPEED)	1	
19	14550801206	CIRCLIP E 12X1.3	4	
20	285126513703	SWING FORK (CASTING)	1	
21	285126516706	SLIDING KEY (5TH SWING LEVER)	2	
22	269026518710	SPRING (DETENT) 5/REV.	2	
23	285126707912	SHIFTER SHAFT (REVERSE)	1	NON SERVICEABLE REFER ATTACHED
24	285126515110	DOG (LEVER REVERSE IDLER)	1	



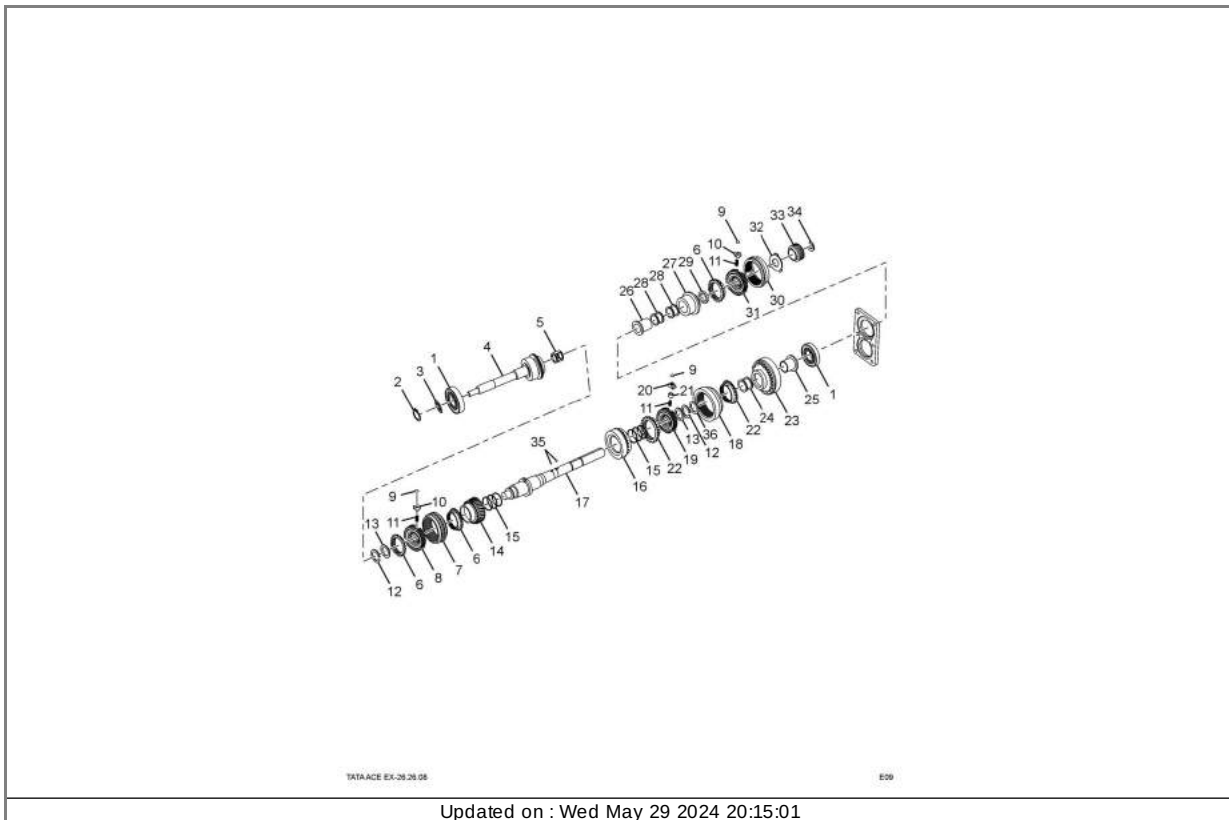
TATA ACE EX-28.26 07-R1

A12

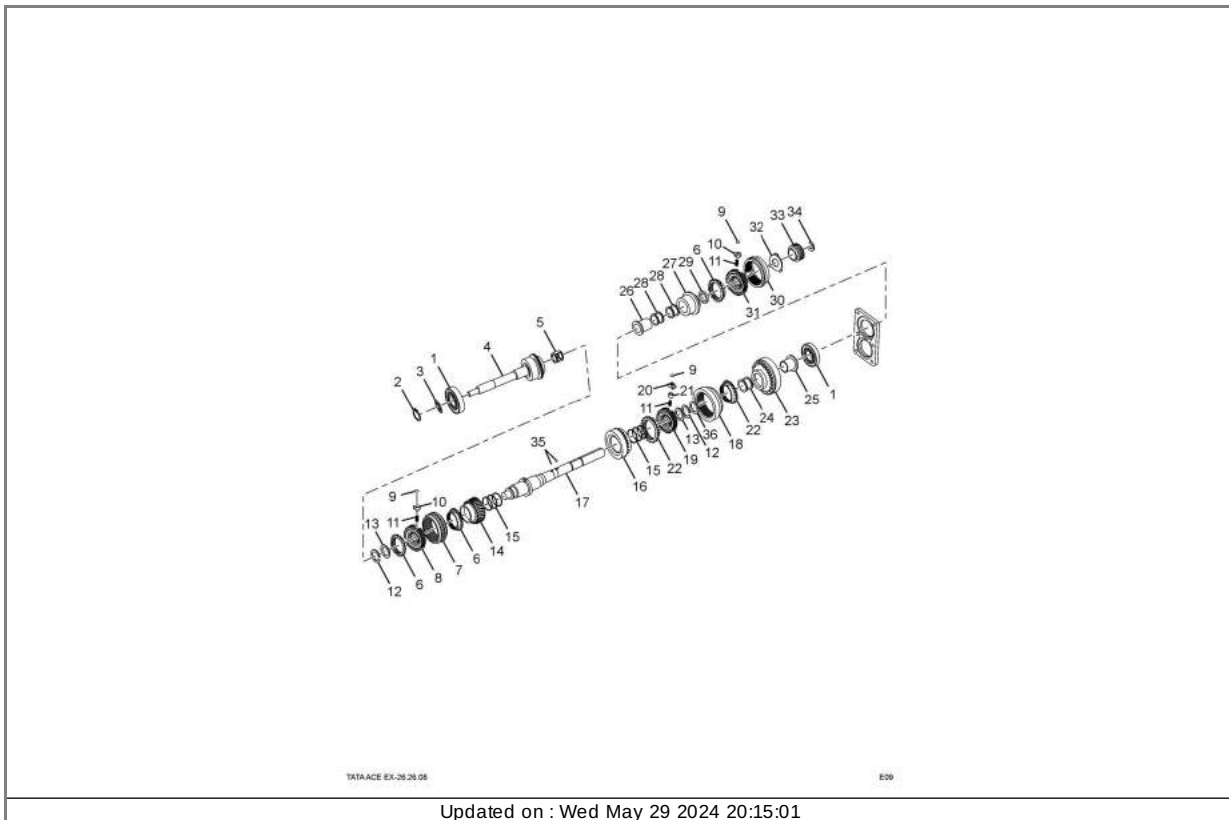
Updated on : Wed May 29 2024 20:15:01

VC No : 55233320000R Group : (26) GEARBOX Table : (2851011226R.04-MAIN SHAFT)

Fig.	Part No	Part Description	Qty	Remarks
1	285126253101	DEEP GROOVE BALL BRG. D/S&M/S BS1-6	1	PART SUPPLY ALONG WITH SNAP RI
2	14550602505	EXT.CIRCLIP 25X1.2N-IS3075P1-SS8400	1	
3	285126258601	SPACER (DRIVE SHAFT)-2.2 THK.	1	
3	285126258602	SPACER (DRIVE SHAFT) - 2.25 THK.	1	FOR SELECTION
3	285126258603	SPACER (DRIVE SHAFT) - 2.3 THK.	1	FOR SELECTION
3	285126258604	SPACER (DRIVE SHAFT) - 2.35 THK.	1	FOR SELECTION
4	285126257904	DRIVE SHAFT - NA	1	
5	285126253102	ROLLER BEARING (DRIVE SHAFT)	1	
6	269026203805	SYNCHRO CONE-3RD/4TH & 5TH SPEED BS1- 4	1	
7	269026204611	SHIFTER SLEEVE 3RD/4TH SPEED BS1/2/3/4/6	1	
8	269026204607	ENGAGING GEAR 3/4 SPD (SOFT) BS1/2/3/4/6	1	
9	15950500210	BALL 5.556DIA-GRADE 20 IS2898	3	
10	269026209902	CARRIER (3/4/5 SPEED)	3	
11	269026208701	SPRING (SYNCHRO)	3	
12	285126204316	SNAP RING 2.0 THK.	1	FOR SELECTION
12	285126204317	SNAP RING 2.1 THK.	1	FOR SELECTION
12	285126204318	SNAP RING 2.2 THK.	1	FOR SELECTION
12	285126204326	SNAP RING 2.3 THK.	1	FOR SELECTION
12	285126204327	SNAP RING 2.4 THK.	1	FOR SELECTION
12	285126204328	SNAP RING 2.5 THK.	1	FOR SELECTION
13	285126208603	SPACER (MAINSHAFT)	1	
14	285126205421	THIRD SPEED GEAR BS1/2/3/4/6	1	
15	285126203101	NEEDLE ROLLER BEARING(2ND/3RD GEAR)	1	FOR SELECTION
15	285126203106	NEEDLE ROLLER BEARING(2ND/3RD GEAR)	1	FOR SELECTION
16	285126205445	2ND SPEED GEAR (STOPPER ARRANGEMENT)	1	

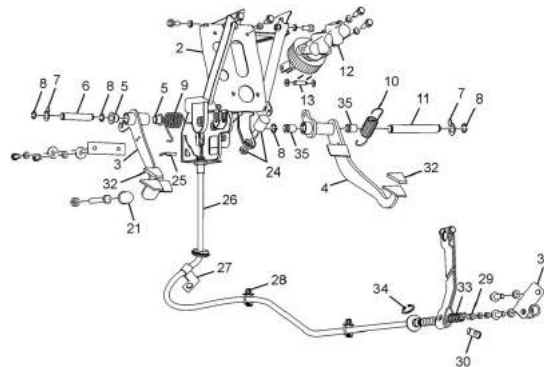


VC No : 55233320000R Group : (26) GEARBOX Table : (2851011226R.04-MAIN SHAFT)				
Fig.	Part No	Part Description	Qty	Remarks
17	285126207908	MAIN SHAFT BS1/2/3/4/6	1	
18	285126205437	SHIFTER SLEEVE REV. GEAR BS1/2/3/4/6	1	
19	269026204613	ENGAGING GEAR (1/2) (SINT SOFT)BS1- 4/6	1	
20	285126209902	CARRIER (1/2 SPEED)	3	
21	269026209906	SLEEVE (1/2 SYNCHRO)	3	
22	269026203803	SYNCHRO CONE 1ST/2ND SPEED BS1/2/3/4	1	
23	285126205444	1ST SPEED GEAR (STOPPER ARRANGEMENT)	1	
24	285126203102	NEEDLE ROLLER BEARING (1ST SPEED GEAR)	1	FOR SELECTION
24	285126203105	NEEDLE ROLLER BEARING (1ST SPEED GEAR)	1	FOR SELECTION
25	285126203402	BUSH (1ST GEAR)	1	
26	285126203401	BUSH (5TH GEAR)	1	
27	285126205424	FIFTH SPEED GEAR - NA	1	
28	285126203103	NEEDLE BEARING (5TH GEAR MAIN SHAFT)	2	FOR SELECTION
28	285126203107	NEEDLE BEARING (5TH GEAR MAIN SHAFT)	2	FOR SELECTION
29	285126208602	SPACER (5 TH GEAR)	1	
30	269026204612	SHIFTER SLEEVE (5TH SPEED) BS1/2/3/4/6	1	
31	285126204601	ENGAGING GEAR 5TH SPEED(SINT SOFT VER.)	1	
32	285126208604	LOCK PLATE (5TH SPEED GEAR)	1	
33	285126200111	ASSY SPEEDO GEAR (13/3) PLASTIC VER.)	1	
34	285126304301	C TYPE CIRCLIP-2.5 THK.(COUNTER SHAFT)	1	FOR SELECTION
34	285126304302	C TYPE CIRCLIP-2.6 THK.(COUNTER SHAFT)	1	FOR SELECTION
34	285126304303	C TYPE CIRCLIP-2.7 THK.(COUNTER SHAFT)	1	FOR SELECTION
34	285126304304	CTYPE CIRCLIP-2.82 THK.(COUNTER SHAFT)	1	FOR SELECTION
35	15950200305	BALL 3DIA-GRADE 200 IS2898	1	
36	285126208601	SPACER (1ST GEAR)	1	



VC No : 55233320000R Group : (29) CONTROLS Table : (2829942029R.01-CLUTCH AND BRAKE CONTROL - PEOPLE CARRIER)

Fig.	Part No	Part Description	Qty	Remarks
2	282929200130	ASSY CONTROL MTG. BRACKET (CLUTCH AND B	1	
3	282929100128	ASSY CLUTCH PEDAL LEVER COMPLETE	1	
4	282929200128	ASSY BRAKE PEDAL LEVER COMPLETE	1	
5	269929103402	PIVOT BUSH	2	
6	282929106702	PIVOT PIN (CLUTCH)	1	
7	282929208220	LOCKING PLATE	2	
8	14550801206	CIRCLIP E 12X1.3	4	
9	282929108701	CLUTCH PEDAL ASSISTANCE SPRING	1	
10	282929208703	RETURN SPRING (BRAKE)	1	
11	282929206702	PIVOT PIN (BRAKE)	1	
12	282943100122	ASSY 6 BOOSTER WITH TMC	1	
13	282929206707	BRAKE PIN	1	
21	265429107702	RUBBER CAP (FOR PEDAL LEVER STOPPER)	1	
24	270254509930	STOP LIGHT SWITCH, M10 X 1.25	1	
25	270242804301	CLIP (BRAKE HOSE)	1	
26	282929100140	ASSY. CLUTCH CABLE ACE 2050MM BS2/3/4	1	
27	282929104201	CLAMP (CLUTCH CABLE MTG.)	1	
29	282929106704	SLEEVE (CLUTCH CABLE PEDAL END)	1	
30	282929106703	PIN (CLUTCH CABLE GUIDE)	1	
31	282929100122	ASSLY. BRACKET (CLUTCH CABLE GUIDE)	1	
32	265829107704	RUBBER COVER (BRAKE & CLUTCH PEDAL)	2	
33	282929108702	SPRING (CLUTCH RELEASE LEVER)	1	
34	14550601703	EXT.CIRCLIP 17X1N	1	
35	265129103401	SINTERED BUSH	2	

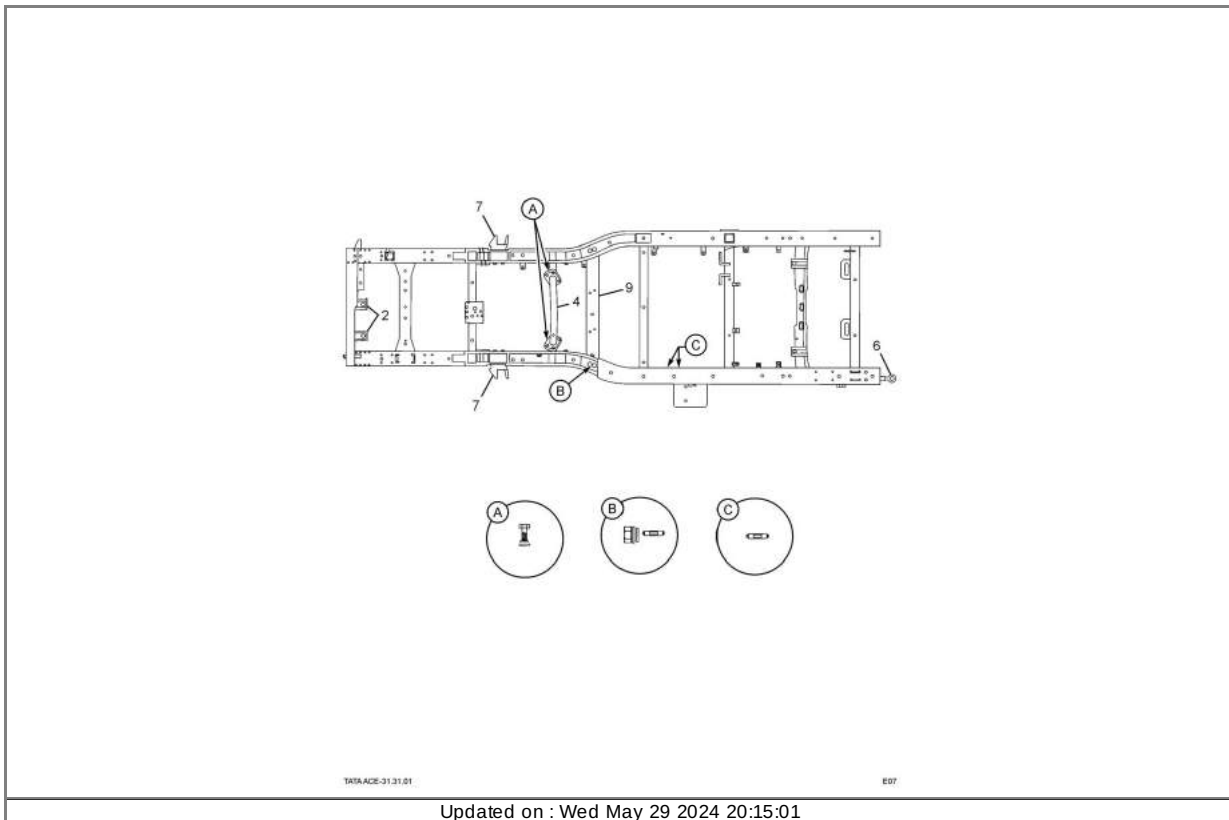


ACE MAGIC CNG-2829942029R.02

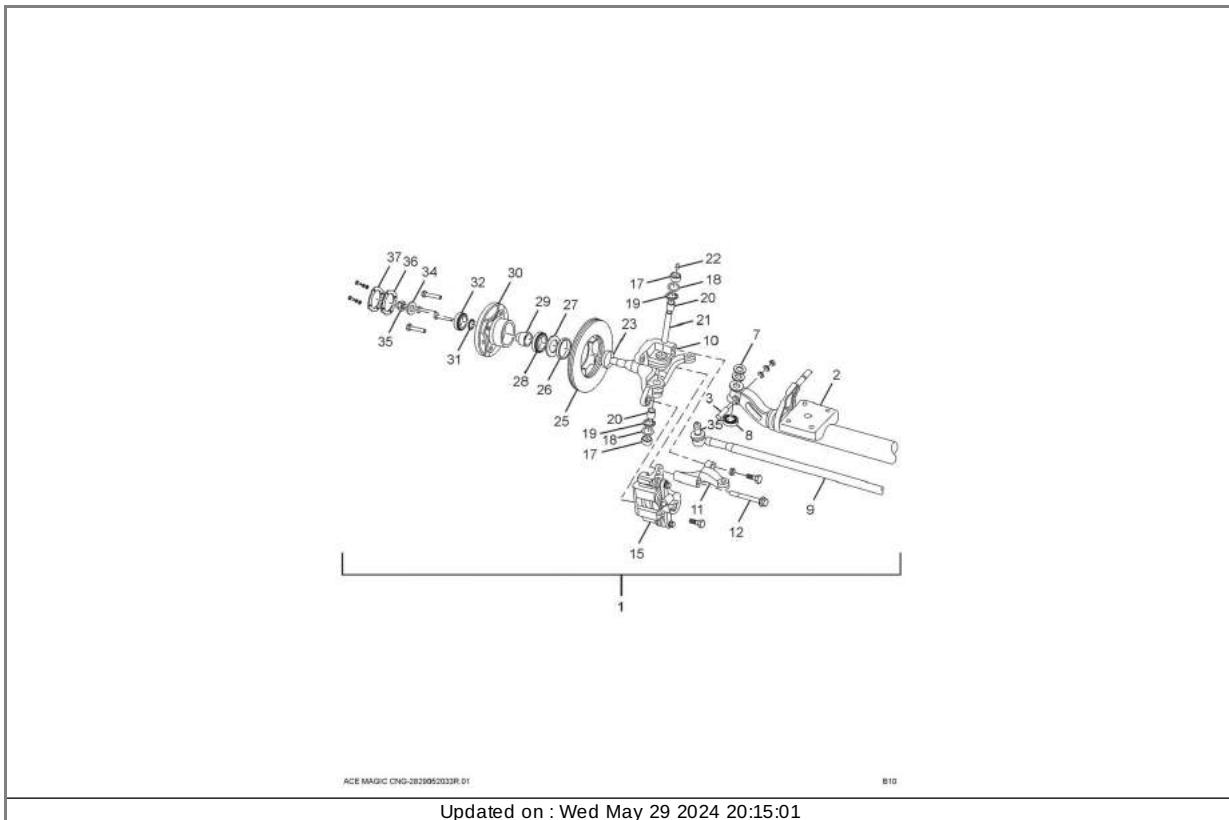
010

Updated on : Wed May 29 2024 20:15:01

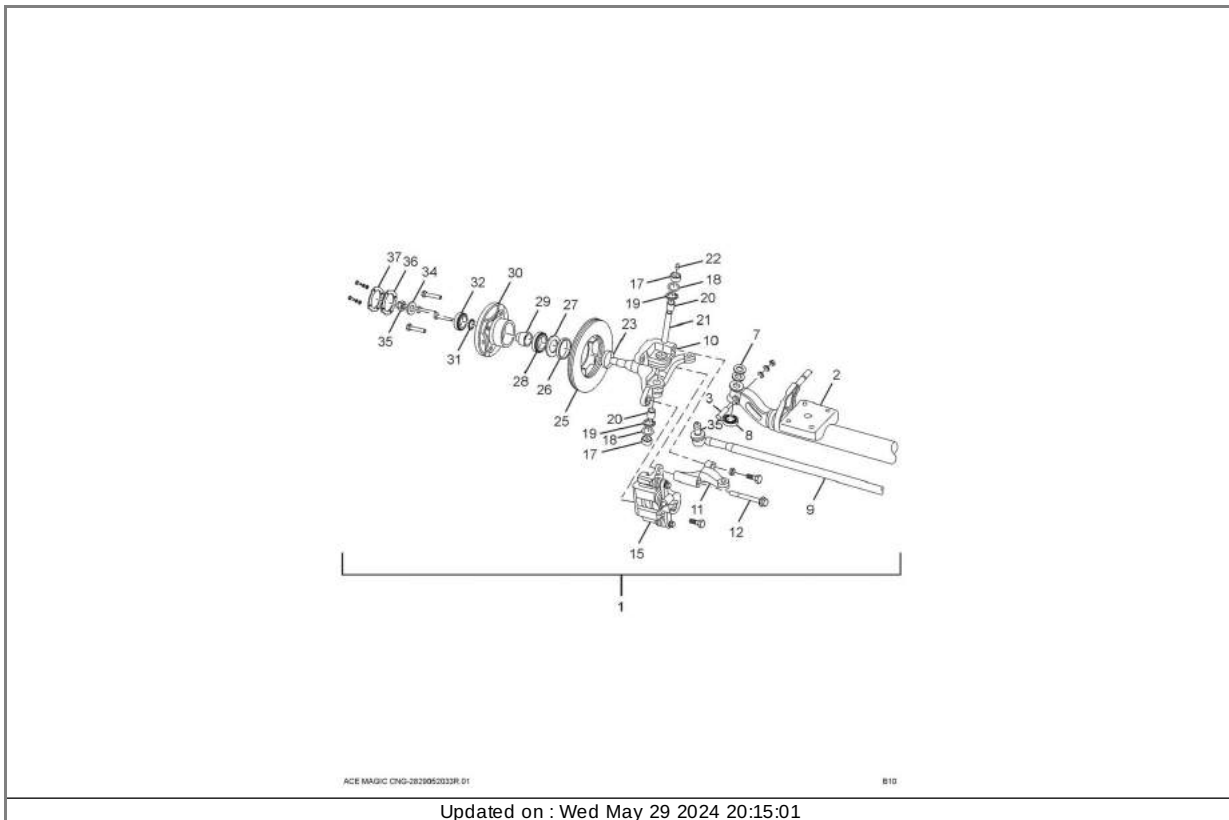
VC No : 55233320000R Group : (31) FRAME Table : (2829942031R.01-FRAME PARTS)				
Fig.	Part No	Part Description	Qty	Remarks
2	282931138225	BRACKET (RADIATOR SUPPORT)	2	
4	282931230133	ASSY CROSS MEMBER(FR. SPRING RR.)	1	
6	282931129901	TOWING HOOK	1	
7	282932300123	ASSY BRACKET S/A MOUNTING FRONT, TOP	2	
9	282931230136	ASSY CROSS MEMBER (GEARBOX MTG.)	1	
	-----	CONSISTING OF :		
-	-----	REPAIR PIECE TOP (LONG MEMBER)	5	
-	-----	REPAIR PIECE TOP (LONG MEMBER)	4	
-	-----	REPAIR PIECE TOP (LONG MEMBER)	4	
-	-----	REPAIR PIECE BOTTOM (LONG MEMBER)	4	
-	-----	REPAIR PIECE BOTTOM	4	
-	-----	REPAIR PIECE	5	
-	-----	REPAIR PIECE	5	
-	-----	REPAIR PIECE	5	
-	-----	REINFORCEMENT REAR	2	
-	-----	REINFORCEMENT REAR	2	
-	-----	REINFORCEMENT REAR	2	
-	-----	REINFORCEMENT REAR	4	
-	-----	REINFORCEMENT REAR	2	
		NOTE:FRAME IS SUPPLIED ALONG WITH BODY.		
		LOOSE FRAME IS NOT SUPPLIED.REFER TABLE NO 60.60.01		



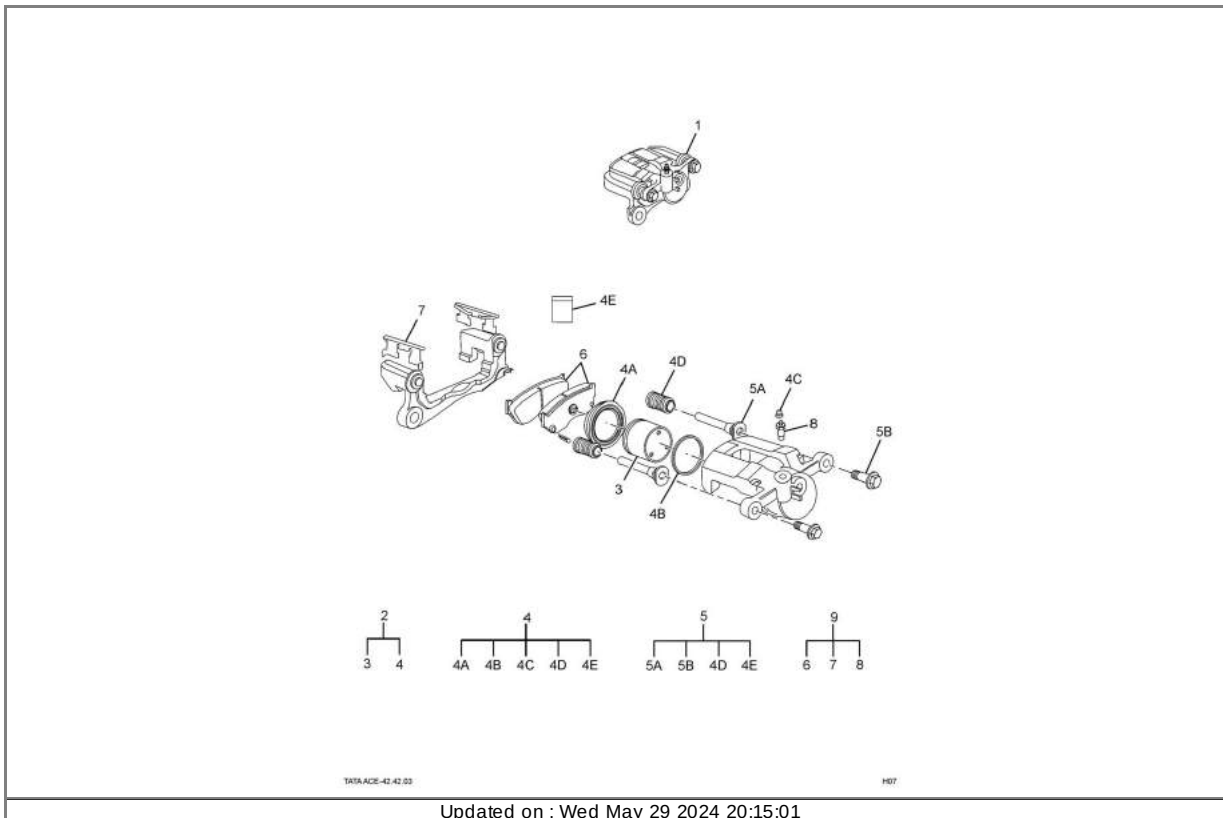
VC No : 55233320000R Group : (33) FRONT AXLE Table : (2829052033R.01-FRONT AXLE)				
Fig.	Part No	Part Description	Qty	Remarks
1	282933000106	ASSY FRONT AXLE	1	
2	282933000107	ASSY FRONT AXLE TUBE	1	
3	282933109902	COTTER BOLT	2	
7	282933208611	SHIM 0.1 THK (KING PIN)	AR	FOR SELECTION
7	282933208612	SHIM 0.2 THK (KING PIN)	AR	FOR SELECTION
7	282933208613	SHIM 0.3 THK (KING PIN)	AR	FOR SELECTION
7	282933208614	SHIM 0.4 THK (KING PIN)	AR	FOR SELECTION
7	282933208615	SHIM 0.5 THK (KING PIN)	AR	FOR SELECTION
7	282933208616	SHIM 0.6 THK (KING PIN)	AR	FOR SELECTION
7	282933208617	SHIM 0.7 THK (KING PIN)	AR	FOR SELECTION
8	282933403108	THRUST BEARING 350000 BS2/3/4	2	
-	282933403115	THRUST PAD BEARING	1	
9	282933800109	ASSY. TIE ROD BS2/3/4	1	
10	282933200133	STUB AXLE RH (12 WHEEL)	1	
10	282933200134	STUB AXLE LH (12 WHEEL)	1	
11	282933805108	STEERING ARM (12 WHEEL)	1	
12	282933203209	FLANGE BOLT	1	
-	282933200130	ASSY KING PIN CAP	1	
-	282933200135	ASSY KING PIN CAP	1	
15	257441109902	GREASE NIPPLE	2	
17	282933209902	KING PIN CAP	4	
18	17050501205	O RING 25.0X26.5	4	
19	14580603000	INTERNAL CIRCLIP 30X1.2N	4	
20	282933203402	BUSH KING PIN BS2/3/4/6	4	
21	282933206709	KING PIN-NORMAL BS2/3/4	2	



VC No : 55233320000R Group : (33) FRONT AXLE Table : (2829052033R.01-FRONT AXLE)				
Fig.	Part No	Part Description	Qty	Remarks
22	257441109902	GREASE NIPPLE	2	
23	282933408602	SEAL RACE (STUB AXLE)	2	
25	282942103701	VENTILATED BRAKE DISC 17 THICK BS2/3/4	2	
26	282933407803	FRONT HUB OIL SEAL BS2/3/4	2	
27	282933408201	BAFFLE	2	
28	282933403105	TAPER ROLLER BRG. 320/32 BS2/3/4	2	
29	282933208610	SPACER TUBE	2	
30	282933103702	FRONT HUB BS2/3/4	2	
31	282933208618	SHIM 0.1 THK(SPACER)	AR	FOR SELECTION
31	282933208619	SHIM 0.15 THK (SPACER)	AR	FOR SELECTION
31	282933208620	SHIM 0.20 THK(SPACER)	AR	FOR SELECTION
31	282933208621	SHIM 0.25 THK(SPACER)	AR	FOR SELECTION
31	282933208622	SHIM 0.30 THK (SPACER)	AR	FOR SELECTION
31	282933208623	SHIM 0.4 THK (SPACER)	AR	FOR SELECTION
31	282933208624	SHIM 0.5 THK (SPACER)	AR	FOR SELECTION
31	282933208625	SHIM 0.6 THK (SPACER)	AR	FOR SELECTION
31	282933208626	SHIM 0.7 THK(SPACER)	AR	FOR SELECTION
32	269533403101	TAPER ROLLER BRG. 30204 BS2/3/4	2	SELECTION
32	551733403117	TAPER ROLLER BEARING	2	SELECTION
34	282933409203	THRUST WASHER	2	
35	12102096043	CASTLE NUT M16X1.5 IS2232-8-SS8451S2-Y	2	
36	282933407702	GASKET	2	
35	282933800113	ASSY. TIE ROD END RH BS2/3/4	1	
35	282933800114	ASSY. TIE ROD END LH BS2/3/4	1	
37	282933408205	HUB COVER	2	

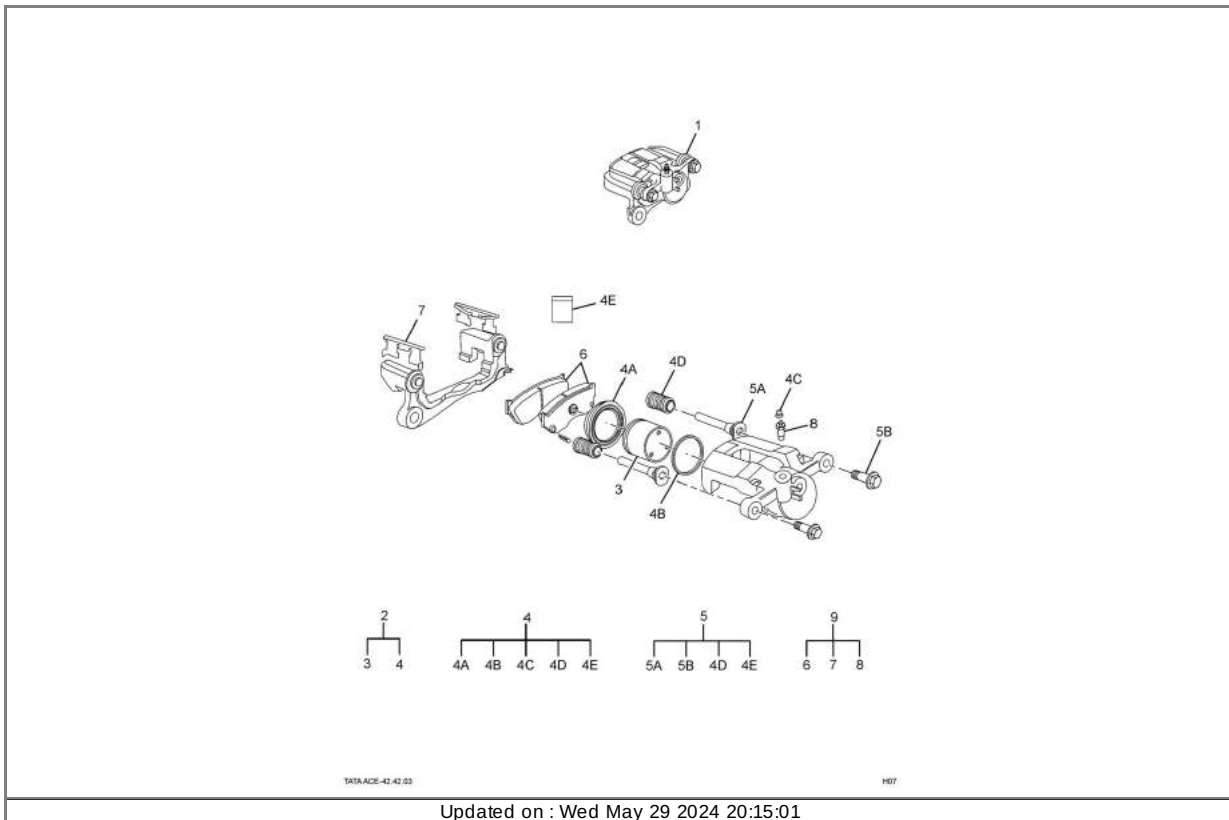


VC No : 55233320000R Group : (33) FRONT AXLE Table : (2829052033R.02-FRONT DISC BRAKE ASSY.)				
Fig.	Part No	Part Description	Qty	Remarks
	-----	M/S BIL		
1	282942100132	CALIPER ASSY LH	1	
1	282942100133	CALIPER ASSY RH	1	
2	282943100105	KIT CALIPER (MAJOR)	2	
	-----	CONSISTING OF:		
3	-----	PISTON	1	
4A	-----	BOOT, PISTON	1	
4B	-----	SEALING RING	1	
4C	-----	CAP. BLEED SCREW	1	
4D	-----	BOOT, SLIDING PIN	2	
4E	-----	GREASE SACHET	1	
4	282943100106	KIT CALIPER (MINOR)	2	
	-----	CONSISTING OF :		
4A	-----	BOOT PISTON	1	
4B	-----	SEALING RING	1	
4C	-----	CAP BLEED SCREW	1	
4D	-----	BOOT SLIDING PIN	2	
-	270242100185	KIT PAD FRONT BS2/3/4	1	SELECTION
-	885442012829	KIT PAD FRONT BS2/3/4(SBL)	1	SELECTION
	-----	CONSISTING OF :		
6	-----	PAD ASSY	4	
7	282943104302	ANTIRATTLE CLIP	4	
8	282943108002	BLEED SCREW	2	
9	282943100121	KIT PAD FRONT BS2/3/4		
	-----	M/S BOSCH (KBX)		

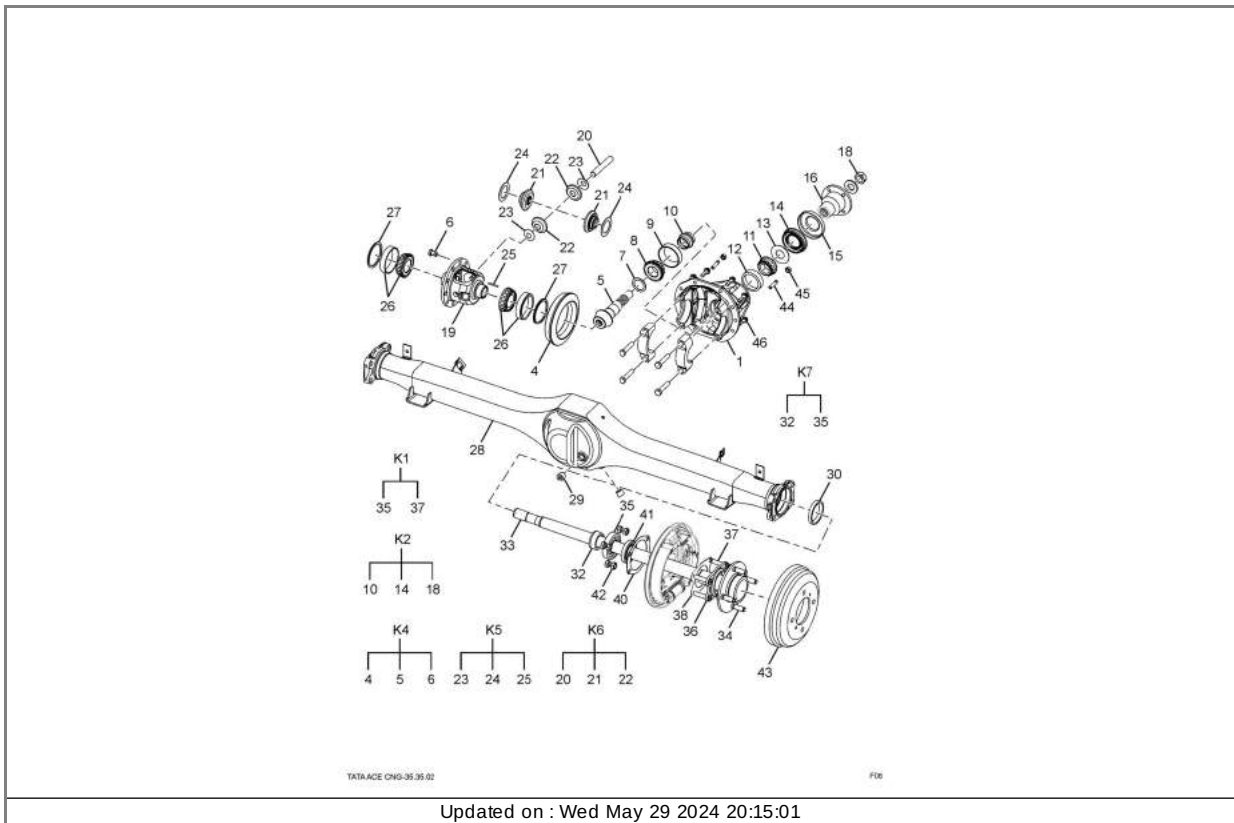


VC No : 55233320000R Group : (33) FRONT AXLE Table : (2829052033R.02-FRONT DISC BRAKE ASSY.)				
Fig.	Part No	Part Description	Qty	Remarks
1	282942100134	CALIPER ASSY LH - KBX	1	
1	282942100135	CALIPER ASSY RH - KBX	1	
2	282943100117	KIT CALIPER (MAJOR) KBX	1	
	-----	CONSISTING OF :		
4	-----	KIT CALLIPER (MINOR) KBX		
3	-----	PISTON	1	
4	282943100106	KIT CALIPER (MINOR)	1	
	-----	CONSISTING OF :		
4A	-----	BOOT PISTON	1	
4B	-----	SEAL PISTON	1	
4C	-----	CAP BLEEDER SCREW	1	
4D	-----	BOOT PIN	2	
4E	-----	GREASE PACK	1	
5	282943100119	KIT SLIDING PIN	2	
	-----	CONSISTING OF :		
5A	-----	SLIDING PIN	2	
5B	-----	BOLT PIN	2	
4D	-----	BOOT SLIDING PIN	2	
4E	-----	GREASE SACHET	1	

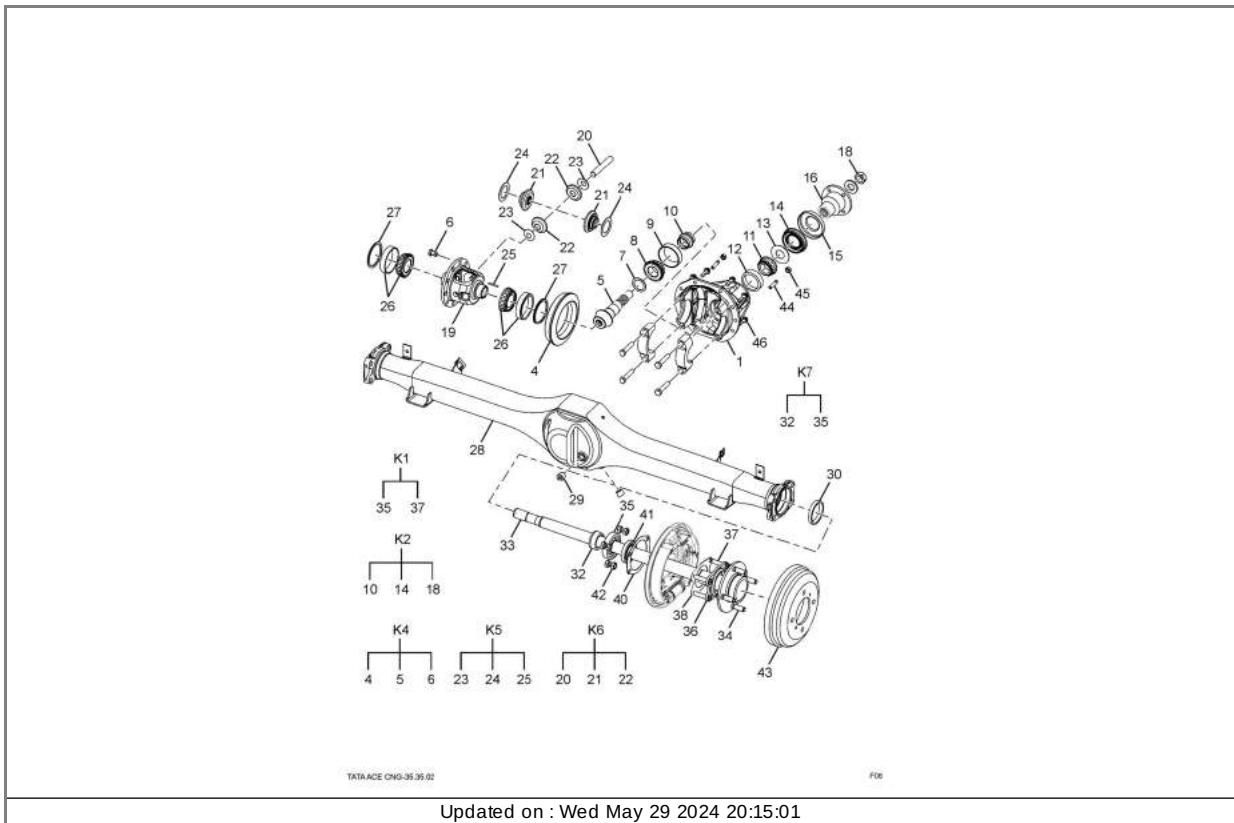
-	282943100121	KIT PAD FRONT BS2/3/4	1	
6	-----	PAD ASSY	4	
8	282943108006	BLEED SCREW	2	
7	282943104306	ANTI RATTLE CLIP	4	



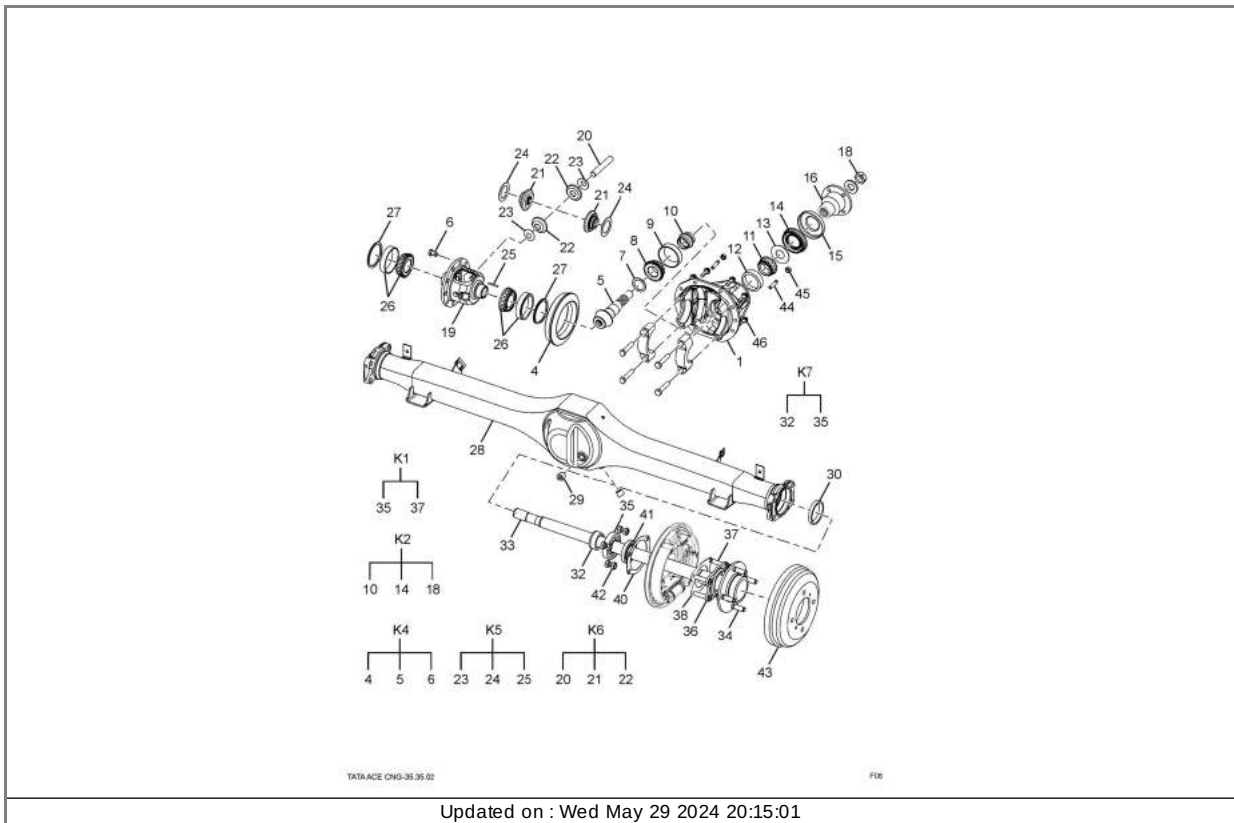
VC No : 5523320000R Group : (35) REAR AXLE Table : (2850011035R.01-REAR AXLE (BANJO TYPE) 4.44(40/9) RATIO)				
Fig.	Part No	Part Description	Qty	Remarks
-	285035000112	BANJO REAR AXLE WITH 4.44 (40/9) RATIO	1	
-	285035110102	CARRIER ASSY	1	
1	285035110101	CARRIER SUB- ASSY	1	
4&5	285035300121	GEAR AND PINION ASSY-HYPOID DRIVE (4.44 RATIO)	1	
6	285035308003	SCREW-DRIVE GEAR	1	
7	285035308301	SHIM PINION	1	
8&9	285035303101	BEARING ASSY (TAPERED ROLLER)	1	
10	285035308601	SPACER COLLAPSABLE	1	
11&12	285035303102	PINION INNER BRG CONE & CUP BS2/3/4/6	1	
13	285035308205	SLINGER-PINION OIL SEAL (OUTER)	1	
14	285035307703	OIL SEAL (PINION) BS2/3/4/6	1	
15	285035308206	DEFLECTOR - SEAL	1	
19	285035300118	ASSY. DIFFERENTIAL CASE-STD BS2/3/4/6	1	
-	285035305104	CASE - FIN (DIFF STD)	1	
20	285035305105	SHAFT-DIFF STD AND TL	1	
21	285035300124	KIT-DIFF CASE STD BS2/3/4/6	1	Non Serviceable. Serviced unde
22	285035300124	KIT-DIFF CASE STD BS2/3/4/6	1	Non Serviceable. Serviced unde
23	285035309202	THRUST WASHER (DIFF. PINION)	1	
24	285035309201	THRUST WASHER DIFF.GEAR	1	
25	285035306701	PIN ROLL	1	
26	285035303106	ASSY. BEARING DIFF. (CONE/CUP) BS2/3/4/6	1	
27	285035308302	SHIM DIFFERENTIAL	1	
28	285035100103	HOUSING & COVER ASSY - BANJO	1	
29	266335107203	PLUG - PIPE (INT DRIVE) (MAGNETIC)	1	
30	285035307704	OIL SEAL INBOARD BS2/3/4	1	



VC No : 55233320000R Group : (35) REAR AXLE Table : (2850011035R.01-REAR AXLE (BANJO TYPE) 4.44 (40/9) RATIO)				
Fig.	Part No	Part Description	Qty	Remarks
32	285035708201	RETAINER BEARING RING BS2/3/4	2	
-	285035700107	AXLE SHAFT ASSY	1	
33	285035707901	REAR AXLE SHAFT BS2/3/4	1	
34	554540203201	WHEEL BOLT BS2/3/4	1	
35	285035603101	BALL BEARING 2002106 BS2/3/4	2	
36	285035308209	RETAINER OIL SEAL	1	
37	285035703201	RETAINER BOLT	1	
38	285035605303	GASKET - RETAINER PLATE	1	
40	285035605304	GASKET - BRAKE BACK PLATE	1	
41	285035300125	RETAINER ASSY - OIL SEAL	1	
42	285035606502	HEX NUT	1	
43	282942303701	BRAKE DRUM REAR DIA. 200X30 BS2/3/4/6	2	
44	285035608801	STUD-DOWEL	1	
45	285035606501	NUT-LOCK	1	
46	285035308004	SCREW-FLANGE HEAD	1	
-	285035150101	BREATHER	1	
-	285035307703	OIL SEAL (PINION) BS2/3/4/6	1	
-	285035308005	SCREW - FLANGE	1	
-	-----	SERVICE KITS		
-	285035700105	KIT-SEAL	1	
-	-----	CONSISTS		
35	285035603101	BALL BEARING 2002106 BS2/3/4	2	
-	285035307703	OIL SEAL (PINION) BS2/3/4/6	1	
37	285035703201	RETAINER BOLT	4	
-	285035300120	KIT-SEAL	1	



VC No : 55233320000R Group : (35) REAR AXLE Table : (2850011035R.01-REAR AXLE (BANJO T YPE) 4.44(40/9) RATIO)				
Fig.	Part No	Part Description	Qty	Remarks
	-----	CONSISTS		
18	-----	NUT - PINION	1	
14	285035307703	OIL SEAL (PINION) BS2/3/4/6	1	
10	285035308601	SPACER COLLAPSABLE	1	
-	285035300121	KIT-DRIVE GEAR AND PINION ASSY (4.44)	1	
	-----	CONSISTS		
4&5	285035300121	GEAR AND PINION ASSY-HYPOID DRIVE	1	
6	285035308003	SCREW-DRIVE GEAR	10	
-	285035300120	KIT-SEAL	1	
-	285035300140	CROWN WHEEL/PINION KIT 4.88 (39/08)	1	
	-----	CONSISTS		
45	285035300139	ACE HYPOID GEAR SET (4.88-39/08)	1	For Selection
6	285035308003	SCREW-DRIVE GEAR	1	
-	285035300120	KIT-SEAL	1	
-	285035300167	CROWN WHEEL/PINION KIT 5.14	1	
	-----	CONSISTS		
4&5	285035300166	ASSY. CWN & PINION HYP DRIV(5.14)BS2/3/4	1	
6	285035308003	SCREW-DRIVE GEAR	1	
-	285035300120	KIT-SEAL	1	
-	285035300123	KIT-DIFF CASE INNER PARTS STD	1	
	-----	CONSISTS		
23	285035309202	THRUST WASHER (DIFF. PINION)	2	
24	285035309201	THRUST WASHER DIFF.GEAR	2	
25	285035306701	PIN ROLL	1	
-	285035300124	KIT-DIFF CASE STD BS2/3/4/6	1	

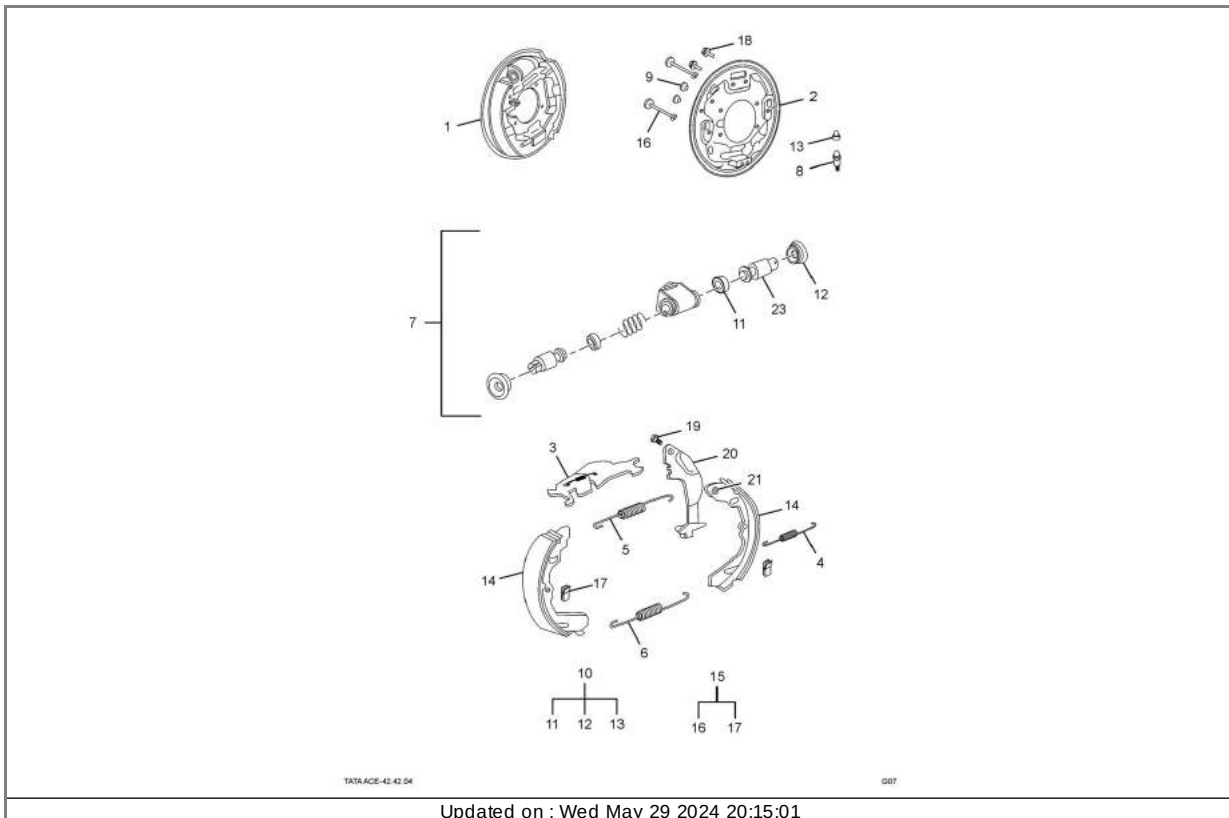


VC No : 55233320000R Group : (35) REAR AXLE Table : (2850011035R.02-REAR BRAKE ASSEMBLY (BIL))

Fig.	Part No	Part Description	Qty	Remarks
1	282942300112	REAR BRAKE ASSY LH NON/ASBS	1	
1	282942300113	REAR BRAKE ASSY RH NON/ASBS	1	
2	282942300121	BACK PLATE ASSY -LH	1	
2	282942300122	BACK PLATE ASSY -RH	1	
3	281842990123	STRUT & QUADRANT LH & RH	2	
4	277942308703	SPRING-STRUT RETURN-LH & RH	2	
5	277942308701	SPRING-SHOE RETURN (UPPER)	2	
6	281842998706	SPRING, SHOE RETURN,LOWER	2	
9	277942307501	GROMMET	2	
8	277942308002	BLEED SCREW	2	
7	282942300124	ASSY. WHEEL CYL. 15.87DIA. LH BS2/3/4	1	LOOSE SERVICEABLE
7	282942300125	ASSY. WHEEL CYL. 15.87 DIA. RH BS2/3/4	1	LOOSE SERVICEABLE
10	282942300126	KIT WHEEL CYLINDER-MINOR	1	
11	-----	A) GLAND SEAL	2	
12	-----	B) DUST COVER	2	
13	-----	C) CAP-BLEED SCREW	1	

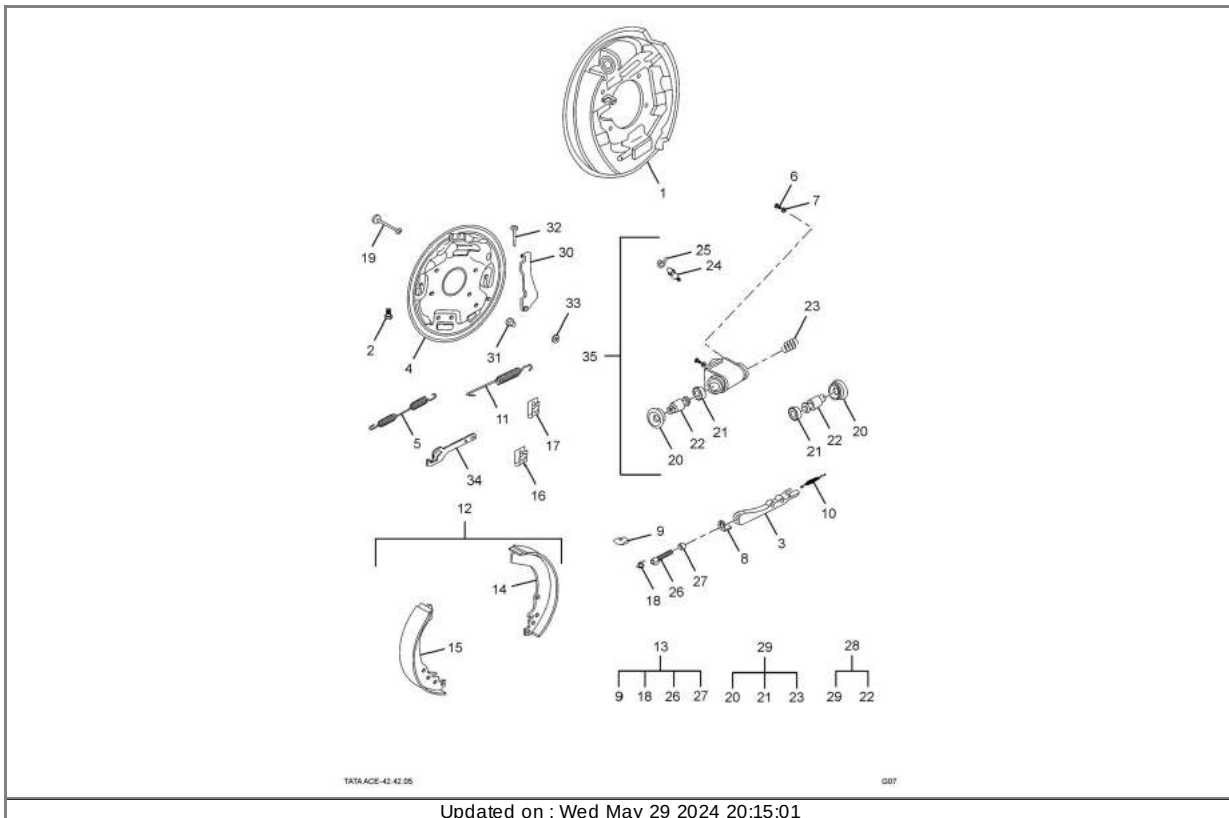
14	282942300123	KIT-LINED SHOE BS2/3/4	1	
	-----	LINED SHOE ASSY	4	

15	277942300124	KIT-SHOE HOLD DOWN	2	
16	-----	A) PIN	2	
17	-----	B) CLIP-SHOE HOLD DOWN	2	
18	-----	SCREW	4	
19	-----	PIN - HANDBREAK LEVER	2	



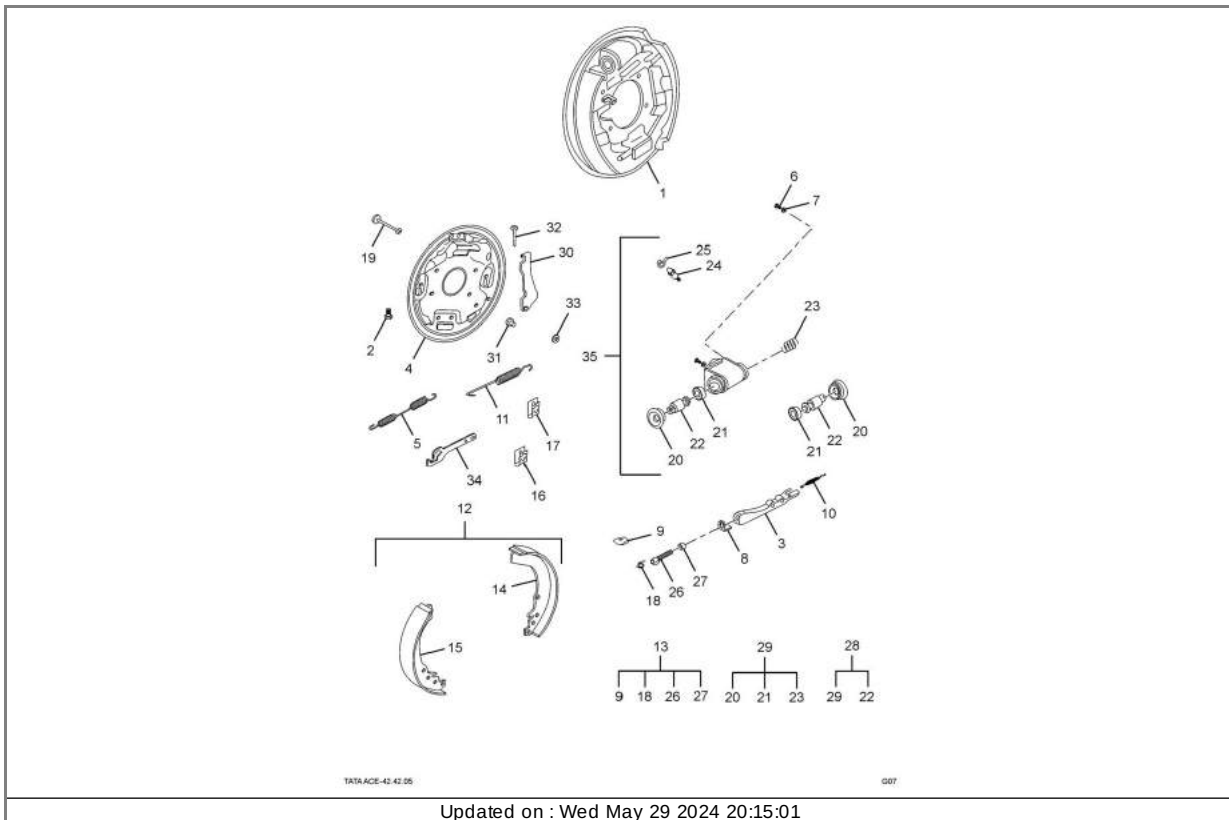
VC No : 55233320000R Group : (35) REAR AXLE Table : (2850011035R.03-REAR BRAKE ASSEMBLY (KBX))

Fig.	Part No	Part Description	Qty	Remarks
1	282942300113	REAR BRAKE ASSY RH NON/ASBS	1	
1	282942300112	REAR BRAKE ASSY LH NON/ASBS	1	
2	282943107501	GROMMET	1	
3	282942300135	STRUT ASSY RH	1	
3	282942300136	STRUT ASSY LH	1	
4	282942300128	BACK PLATE COMP RH	1	
4	282942300129	BACK PLATE COMP LH	1	
5	282942308702	RETURN SPRING-D	1	
6	-----	BOLT M6X12	2	
7	-----	SPRING WASHER B6	2	
10	282942308703	STRUT SPRING LH (RH ASSY)	1	
10	282942308704	STRUT SPRING RH (LH ASSY)	1	
11	282942308701	SPRING SHOE RETURN (ANCH. PLATE)	1	
16	282943104307	SHOE SET SPRING (LEADING)	1	
17	282943104308	SHOE SET SPRING RH (TRAILING)	1	
17	282943104309	SHOE SET SPRING LH	1	
19	282942306701	PIN SHOE SET	2	
35	282942300131	ASSY. WHEEL CYLINDER RH BS2/3/4	1	LOOSE SERVICEABLE
35	282942300130	ASSY. WHEEL CYLINDER LH BS2/3/4	1	LOOSE SERVICEABLE
28	282942300137	WHEEL CYLINDER (MAJOR) KIT	1	
	-----	CONSISTING OF :		
20	-----	BOOT	2	
21	-----	SEAL	2	
22	-----	PISTON	2	
23	-----	SPRING	1	



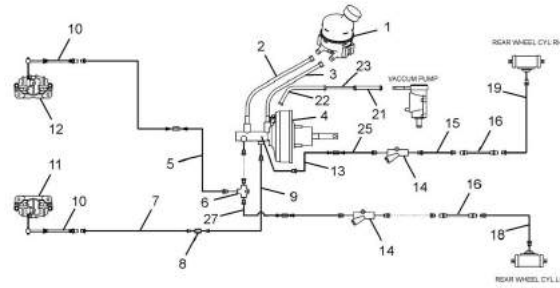
Updated on : Wed May 29 2024 20:15:01

VC No : 55233320000R Group : (35) REAR AXLE Table : (2850011035R.03-REAR BRAKE ASSEMBLY (KBX))				
Fig.	Part No	Part Description	Qty	Remarks
24	-----	BLEEDER SCREW	1	
25	-----	CAP BLEEDER	1	
29	282942300132	WHEEL CYLINDER (MINOR) KIT	1	
	-----	CONSISTING OF :		
23	-----	SPRING	1	
21	-----	SEAL	2	
20	-----	BOOT	2	
12	282942300133	KIT-BRAKE SHOE BS2/3/4	2	
14	-----	LEADING SHOE	1	
15	-----	SHOE TRAILING	1	
13	282942300138	AUTO ADJUSTER KIT	1	
	-----	CONSISTING OF :		
26	-----	ADJUSTER SCREW LH	1	
26	-----	ADJUSTER SCREW RH	1	
27	-----	ADJUSTER NUT LH	1	
27	-----	ADJUSTER NUT RH	1	
18	-----	ADJUSTER SPRING BOLT LH	1	
18	-----	ADJUSTER SPRING BOLT RH	1	
9	-----	PAWL	1	
	-----	GREASE PACK	1	



VC No : 55233320000R Group : (42) BRAKES Table : (2829492043R.01-HYDRAULIC LINES - PEOPLE CARRIER CNG MAGIC)

Fig.	Part No	Part Description	Qty	Remarks
1	282942100123	ASSY BRAKE FLUID RESERVOIR	1	
2	282943807701	HOSE	1	
3	282943807704	HOSE	1	
4	282943100122	ASSY 6 BOOSTER WITH TMC	1	
5	282943800132	ASSY TUBE	1	
6	270242806803	3-WAY CONNECTOR	1	
7	282943800135	ASSY TUBE	1	
8	270242806806	ADAPTOR (BRAKE CIRCUIT)	1	
9	282943800136	ASSY TUBE	1	
10	282942800103	ASSY FRONT BRAKE HOSE	1	
11	282942100133	CALIPER ASSY RH M/S BIL	1	OPTIONAL
11	282942100135	CALIPER ASSY RH M/S KBX	1	OPTIONAL
12	282942100132	CALIPER ASSY LH M/S BIL	1	OPTIONAL
12	282942100134	CALIPER ASSY LH M/S KBX	1	OPTIONAL
13	282943800140	ASSY TUBE	1	
14	282943800144	ASSY TUBE	1	
15	282943800139	ASSY TUBE	1	
16	282942800104	ASSY REAR BRAKE HOSE	1	
-	282943800141	ASSY TUBE	1	
18	265442809201	SEALING WASHER CU 10X14	1	
19	265442806801	UNION BOLT	1	
-	282942800103	ASSY FRONT BRAKE HOSE	1	
21	14280500209	HOSE CLAMP 20 IS4762 SS8451-8B	2	
22	282943807702	HOSE	1	
23	282943806992	TUBE OD 10X0.7 THK. SS:4040-20 OR 30	1	



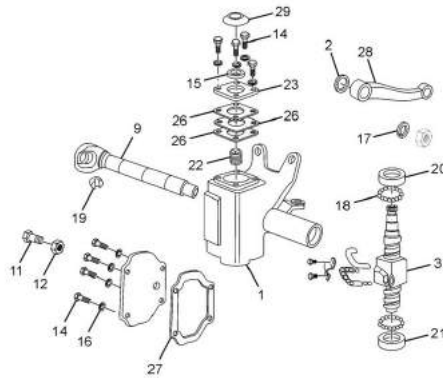
TATA ACE-42 42 02 R1

C12

Updated on : Wed May 29 2024 20:15:01

VC No : 55233320000R Group : (46) STEERING Table : (2829222046R.02-STEERING GEAR BOX (M/S RANE) Valid till May 2011)

Fig.	Part No	Part Description	Qty	Remarks
1	552346200102	ASSY. STEERING GEAR BOX BS2/3/4	1	OPTIONAL TO 282946200112
2	282946207804	OIL SEAL (ROCKER SHAFT)	1	
3	-	WORM AND NUT ASSY	1	Serviced under - Assy Steering
9	-	ROCKER SHAFT	1	Serviced under - Assy Steering
11	282946203201	ADJUSTER	1	
12	282946206503	LOCK NUT	1	
14	282946203202	BOLT	8	
15	282946207802	OIL SEAL	1	
16	282946209201	SPRING WASHER	8	
17	282946209205	SPRING WASHER (DROP ARM)	1	
18	282946203002	STEEL BALLS (9/32)	23	
19	282946203003	SPHERICAL ROLLER	1	
20	282946200115	TOP BEARING ASSY	1	
21	282946200116	BOTTOM BEARING ASSY	1	
22	282946207201	OIL PLUG	1	
23	282946207101	END PLATE	1	
-	282946208301	SHIMS (0.010)	AR	FOR SELECTION
-	282946208302	SHIMS (0.005)	AR	FOR SELECTION
26	282946208303	SHIMS (0.003)	AR	FOR SELECTION
27	282946209204	JOINT WASHER	1	
28	282946206001	PITMAN ARM	1	
29	282946207803	DUST SEAL	1	



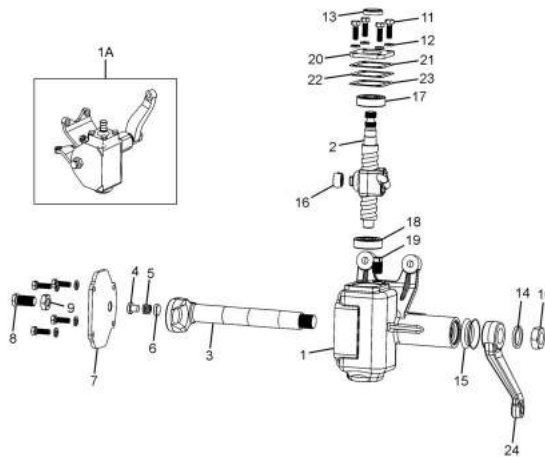
TATA ACE-46-46-02-R1

C12

Updated on : Wed May 29 2024 20:15:01

VC No : 55233320000R Group : (46) STEERING Table : (5523302046R.02A-STEERING GEAR BOX (M/S RANE) Valid From June 2011)

Fig.	Part No	Part Description	Qty	Remarks
1A	552346200102	ASSY. STEERING GEAR BOX BS2/3/4	1	
1	552346990108	BOX SUB ASSY	1	
2	552346990109	WORM AND NUT SUB ASSY	1	
3	552346997901	ROCKER SHAFT MACHINED	1	
4	552346999901	LOCATOR	1	
5	552346998701	SPRING	1	
6	552346999902	SPRING SEAT	1	
7	282946994701	COVER PLATE	1	
8	282946998001	ADJUSTER SCREW	1	
9	282946996501	LOCK NUT (ADJUSTER)	1	
10	282946996502	LOCK NUT (R/S)	1	
11	282946993201	M8 BOLT	8	
12	282946999201	M8 SPRING WASHER	8	
13	282946207802	OIL SEAL WORMEND	1	
14	282946999202	SPRING WASHER	1	
15	552346997801	DUST SEAL	1	
16	282946993001	SPHERICAL ROLLER	1	
17	282946993002	BALL BEARING TOP	1	
18	282946993003	BALL BEARING BOTTOM	1	
19	282946997201	OIL PLUG	1	
20	282946994702	END PLATE	1	
21	282946998301	SHIM 0.010	1	
22	282946998302	SHIM 0.005 2	2	
23	282946998303	SHIM 0.003 3	3	
24	282946995101	DROP ARM	1	



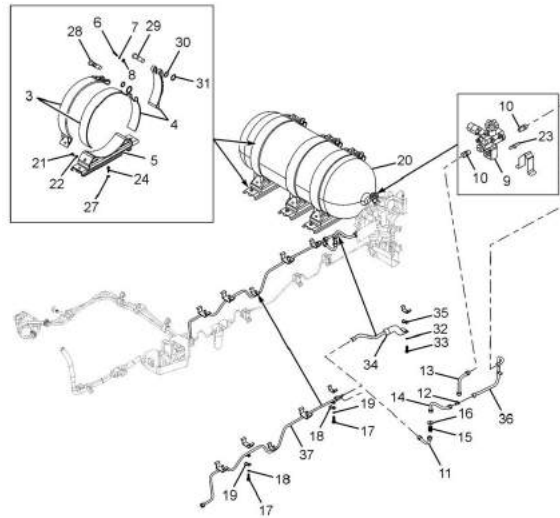
© ACE FL HT BS4-55233320000R.02A

013

Updated on : Wed May 29 2024 20:15:01

VC No : 55233320000R Group : (47) FUEL SYSTEM Table : (2829942047R.01-FUEL SYSTEM - CNG (PEOPLE CARRIER) -I-BS-IV)

Fig.	Part No	Part Description	Qty	Remarks
3	284547500137	ASSY LOCKING STRAP	3	
4	284547500136	ASSY CYL MTG STRAP	3	
5	282947500132	ASSY BRACKET (CYLINDER MTG.)	3	
6	11064198043	HEX BOLT M12X1.5X75 IS13726-10.9-SS9400	3	
7	12520696014	SPRING WASHER B12 IS3063 SS8451-8C	1	
8	12080996011	HEX THIN NUT M12X1.5 IS13724-05SS8451-8C	3	
9	284547610102	AUTOMATIC VENTED VALVE(LYRA)(GREENFUEL)	1	
10	277847616803	MALE CONNECTOR (1/4NPT X M18 x 1.5)	2	
11	282947610162	ASSY VENTING TUBE (REAR CLINDER - PRD)	1	
12	16641401203	EQUAL TEE BODY L12-IS9389-SS8451-8C	2	
13	282947610160	ASSY VENTING TUBE (REAR CYLINDER TEE TO	1	
14	282947107710	RUBBER GROMMET (VENT TUBE)	1	
15	16420801207	COUPLING BODY L12-IS9390 SS8451-8C	1	
16	282947610159	ASSY VENTING TUBE (COUPLING BODY TO REG	1	
17	11341506168	HEX FL SCR M6X16 TS17130-8.8-SS8451S2-Y	1	
18	12520698017	SPRING WASHER B6 IS3063 SS8451-8C	4	
19	257342904203	COATED CLAMP (12 O.D.)	3	
20	282947109905	70 LIT. CNG CYLINDER	1	
21	11323996093	HEX SCREW M12X30 IS1364P2-8.8-SS8451-8C	6	
22	12520696014	SPRING WASHER B12 IS3063 SS8451-8C	1	
23	282947507709	RUBBER PACKING (LATERAL CYL. STOPPER)	2	
24	-----	HEX FL SCR M10X45 TS17130 10.9SS8451-8CH	6	
27	-----	SPRING WASHER B10 IS3063 SS8451-8C	6	
28	284547506701	PIN WITH HOLE	3	
29	284547506702	PIN WITH THREADED HOLE	3	



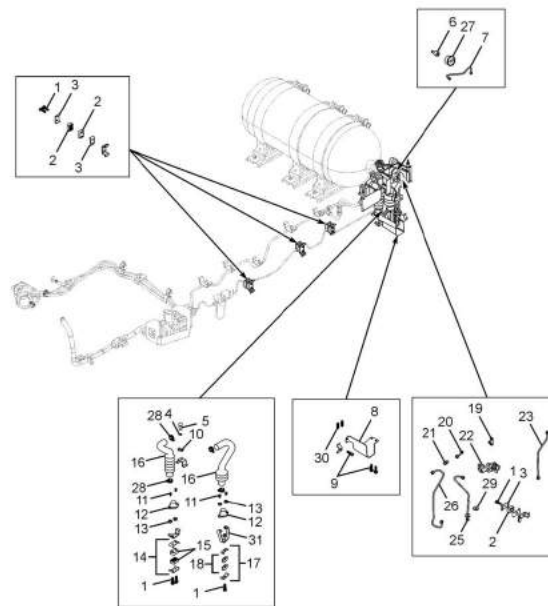
ACE MAGIC CNG-2829942047R 01

810

Updated on : Wed May 29 2024 20:15:01

VC No : 55233320000R Group : (47) FUEL SYSTEM Table : (2829942047R.02-FUEL SYSTEM - CNG (PEOPLE CARRIER) -II-BS-IV)

Fig.	Part No	Part Description	Qty	Remarks
1	11073506451	H/FL BOLT M6X45 TS17130 8.8 SS8451S2-Y	14	
2	282947608222	PLATE (BOTTOM)	6	
3	282947607710	TUBE HOLDER	12	
4	12520698017	SPRING WASHER B6 IS3063 SS8451-8C	4	
5	11341506168	HEX FL SCR M6X16 TS17130-8.8-SS8451S2-Y	1	
6	282947620109	ASSY H.P. GAS TUBE (TEE TO PRESSURE GUA	1	
7	282947610161	ASSY VENTING TUBE (REAR CYLINDER - BURS	1	
8	282947608246	BRACKET (H.P. PIPE COVER WHEEL ARCH)	1	
9	11341508161	HEX FL SCREW M8X16 TS17130-8.8-SS8451-8C	1	
10	257342904203	COATED CLAMP (12 O.D.)	3	
11	11323998070	HEX SCREW M8X20 TS17100-8 8-SS8451-8C	4	
12	284547709902	NIPPLE	2	
13	12051598022	HEX NUT M8 IS1364P3-8-SS8451-8C	4	
14	282947608223	PLATE (BOTTOM)	1	
15	282947607712	TUBE HOLDER	2	
16	284547606801	CORRUGATED HOSE(30-70MM)(M/S GREENFUEL	2	
17	282947608244	PLATE (BOTTOM)	1	
18	282947607713	TUBE HOLDER	2	
19	277847606868	EQUAL TEE 1/4 OD (SWAGELOK)	1	
20	282947620118	ASSY H.P.GAS TUBE (FILLING NOZZLE TO TEE	1	
21	277847606864	MALE CONNECTOR 1/4OD X 1/4NPT-SWAGELOK	1	
22	282947700114	ASSY NZ SLOW FILLING RECEPTACLE-1/4 NPT	1	
23	282947620110	ASSY H.P. GAS TUBE (TEE TO REAR CYL.UNIO	1	
-	277847616826	B. HEAD FEMALE CONN.-1/4NPT X1/4OD-SWG	1	
25	282947620112	ASSY H.P. GAS TUBE (FILLING NOZZLE TO UN	1	



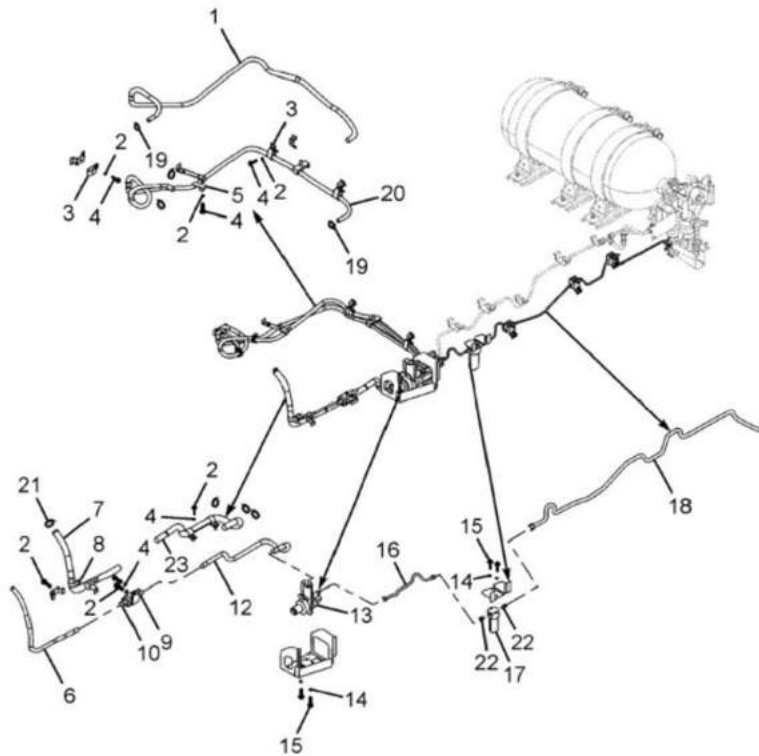
ACE MAGIC CNG-282942047R 02

810

Updated on : Wed May 29 2024 20:15:01

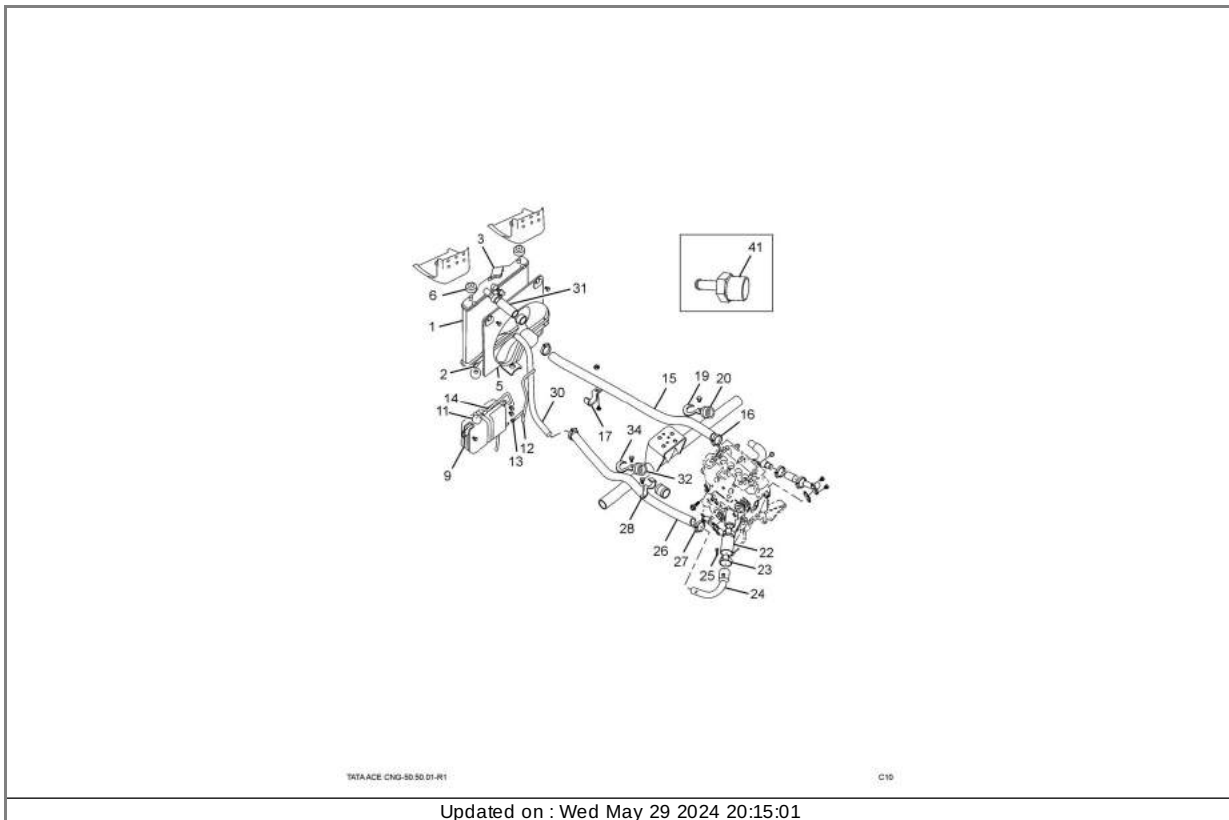
VC No : 5523332000R Group : (47) FUEL SYSTEM Table : (2829942047R.03-FUEL SYSTEM - CNG (PEOPLE CARRIER) -III-BS-IV)

Fig.	Part No	Part Description	Qty	Remarks
1	282947605819	HOSE (HEATING LINE-ENGINE TO REGULATOR)	1	
2	12520698017	SPRING WASHER B6 IS3063 SS8451-8C	4	
3	282947604214	DOUBLE P CLAMP	3	
4	11341506168	HEX FL SCR M6X16 TS17130-8.8-SS8451S2-Y	1	
5	282947604215	DOUBLE P CLAMP (HEATING LINE)	2	
6	282947620135	ASSY L.P.LINE (L.P.FILTER TO ENGINE)	1	
7	-	PROTECTIVE COVER (LOW PRESSURE HOSE)	2	SERVICED UNDER 282947609903
8	282947604213	P CLAMP	4	
9	282947604210	CLAMP (L.P.FILTER)	1	
10	282947700105	LOW PRESSURE FILTER (M/S. ADVANTEK)	1	
12	282947620144	ASSY L.P.LINE (REGULATOR TO L P FILTER)	1	
13	282947700104	HIGH PRESSURE REGULATOR	1	
14	12520698025	SPRING WASHER B8 IS3063 SS8451-8C	4	
15	11341508161	HEX FL SCREW M8X16 TS17130-8.8-SS8451-8C	1	
16	282947620142	ASSY H.P. GAS TUBE (H.P.FILTER TO REGULATOR)	1	
17	282947700106	H.P.FILTER	1	
18	282947610184	ASSY H.P. GAS TUBE (ELBOW TO HP FILTER)	1	
19	14300512144	SPR. BD CLAMP 14DX12W TS17665 SS8451S2-Y	4	
20	282947605820	HOSE (HEATING LINE-REGULATOR TO BYPASS T	1	
21	254701174212	HOSE CLIP 17 TS17669	1	
22	277847606864	MALE CONNECTOR 1/4OD X 1/4NPT	1	
23	-	PROTECTIVE COVER (LOW PRESSURE HOSE)	4	SERVICED UNDER 282947609903
-	282947900101	ASSY CLAMP	1	
-	-----	H.P. REGULATOR COMPONENTS - M/S ADVANTEK		
-	282947606809	HP INLET FITTING	1	



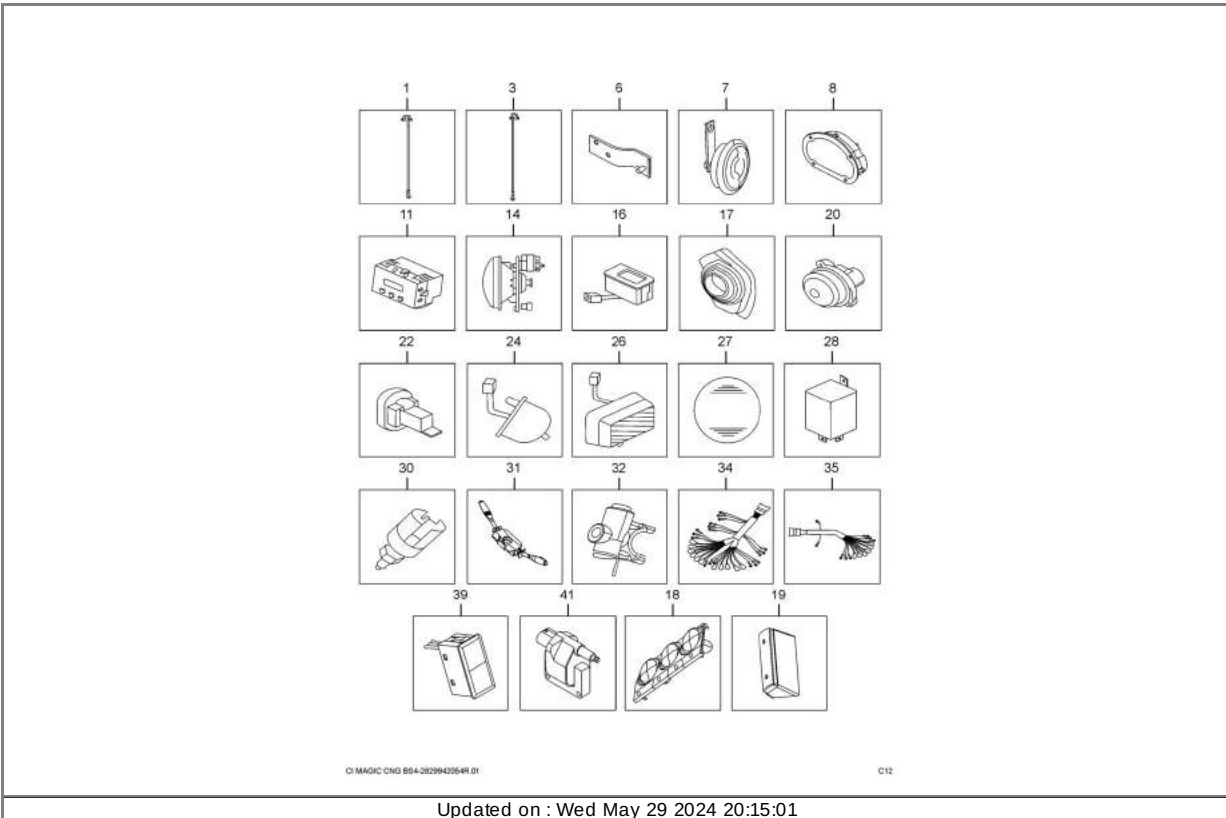
Updated on : Wed May 29 2024 20:15:01

VC No : 5523332000R Group : (50) RADIATOR Table : (5708310150R.01-RADIATOR)				
Fig.	Part No	Part Description	Qty	Remarks
1	278850100124	ASSY. RADIATOR ACE 275ID BS2/3/4	1	
2	254750109904	DRAIN COCK (TOYO)	1	FOR SELECTION
2	278950109902	DRAIN PLUG ASSY - BEHR	1	FOR SELECTION
3	278850100114	PRESSURE CAP BS1/2/3/4	1	FOR SELECTION
3	278850100118	FILLER CAP (PRESSURE & VACUUM CAP)-BEHR	1	FOR SELECTION
5	278850100108	ASSY. FAN MOTOR & SHROUD BS2/3/4	1	FOR SELECTION
5	278850100119	ASSY SHROUD WITH FAN & MOTOR-BEHR	1	FOR SELECTION
6	279050107501	GROMMET RAD MOUNTING BS1/2/3/4/6	4	
9	254750106307	ASSY. AUXILIARY WATER TANK BS2/4	1	
11	254750106305	CAP (AUX WATER TANK)	1	
12	252550106918	PIPE, 400 L	1	FROM NO LOSS TANK TO RADIATOR
13	252550104201	CLAMP	1	
14	254750106935	PIPE (790 MM)	1	
15	278850105801	HOSE - LOWER COOLING LINE BS2/3/4	1	
16	14300512349	SPRING BAND CLAMP FORM A 12 X 34 D	2	
17	278850104202	CLAMP (LOWER COOLING LINE)	1	
19	278850104204	HOSE CLAMP (FOR RADIATOR HOSE)	1	
20	278850105805	BRACKET HOLDING SLEEVE	1	
22	278850105803	HOSE UCL BS2/3/4/6	1	
23	14300515496	SPRING BAND CLAMP 49DX15W	2	
24	570850100101	ASSY TRANSITION PIECE(UPPER COOLING LINE	1	
25	278850108001	BLEEDING SCREW (UPPER COOLING LINE)	1	
26	278850105804	HOSE UCL-TRANS. PIECE TO PIPE BS2/3/4	1	
-	279001159202	SEALING WASHER (FOR CYL.HEAD COVER MTG.)	1	
27	14300512349	SPRING BAND CLAMP FORM A 12 X 34 D	2	



VC No : 55233320000R Group : (54) ELECTRICALS Table : (2829942054R.01-ELECTRICAL EQUIPMENTS (ACE MAGIC CNG) BS-IV)

Fig.	Part No	Part Description	Qty	Remarks
1	282954100121	ASSY BATTERY CABLE VE	1	
3	282954100114	ASSY BATTERY CABLE -VE FOR CUB	1	
6	282954200172	ACE MAGIC NEW ASSY HORN MTG BKT	1	
7	282954209963	HORN 108DIA M/S.HELLA	1	
8	282954200113	ASSY INSTRUMENT CLUSTER	1	
11	282954209930	DIGITAL CLOCK BS2/3/4	1	
14	282954400130	ASSY NORMAL LENS MOTORISED H/L LH	1	
14	282954400131	ASSY NORMAL LENS MOTORISED H/L RH	1	
16	282954509901	HEAD LAMP LEVELING SW. M/S.SHUTHAM	1	
17	282954406301	HEAD LAMP CAP RH	1	
17	282954406302	HEAD LAMP CAP LH	1	
18	282954400143	ASSY TAIL LAMP LH	1	
18	282954400145	TAIL LAMP REVERSE RH	1	
19	282954400142	ASSY HIGH MOUNTED STOP LAMP	1	
20	282954400112	BLINKER LAMP - FRONT (AMBER) LH	1	
20	282954400113	BLINKER LAMP - FRONT (AMBER) RH	1	
-	282954407507	GROMMET FOR BLINKER CUTOUT	2	
22	282954400103	SIDE REPEATER LAMP BS2/3/4/6	2	
-	269969106339	NUT PLASTIC.	4	
24	282954400106	ASSY REGISTRATION PLATE LAMP	2	
26	282954400110	ASSY CABIN LAMP	1	
27	282954409903	REFLEX REFLECTOR (WHITE)	2	
28	263254504602	FLASHER 12V SE/SK1613 BS2/3/4/6	1	
30	270254509930	STOP LIGHT SWITCH,M10 X 125	1	
31	282954500107	ASSY. COMBI. SWITCH W/WASH FCTN. BS2/3/4	1	

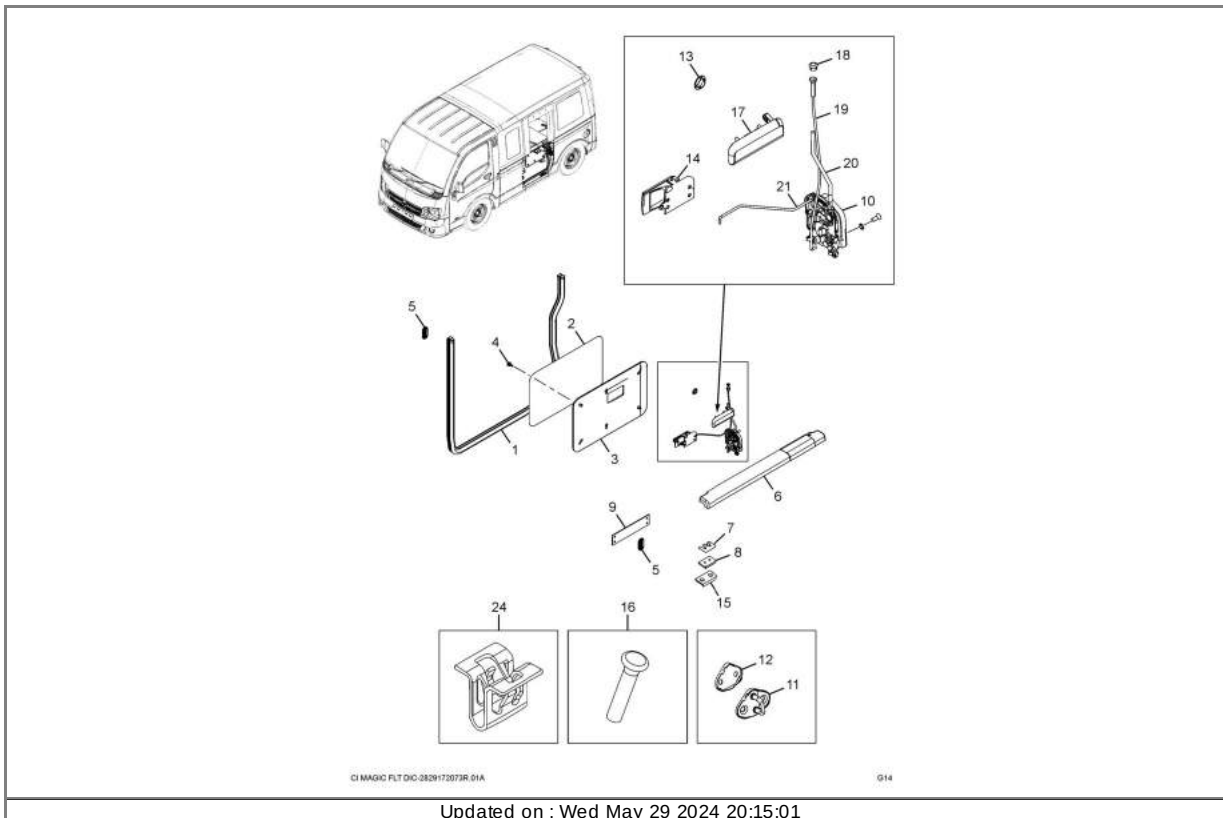


© MAGIC CNG BS4-2829942054R.01

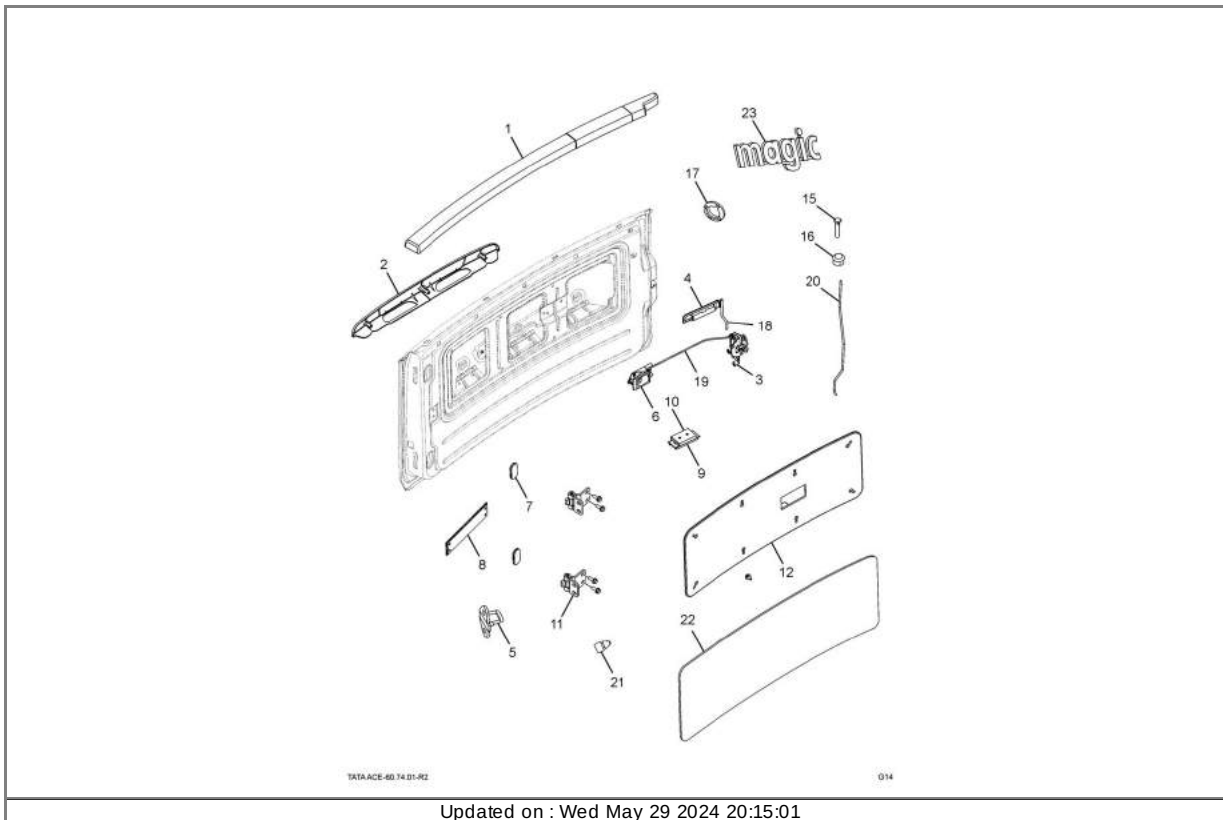
C12

Updated on : Wed May 29 2024 20:15:01

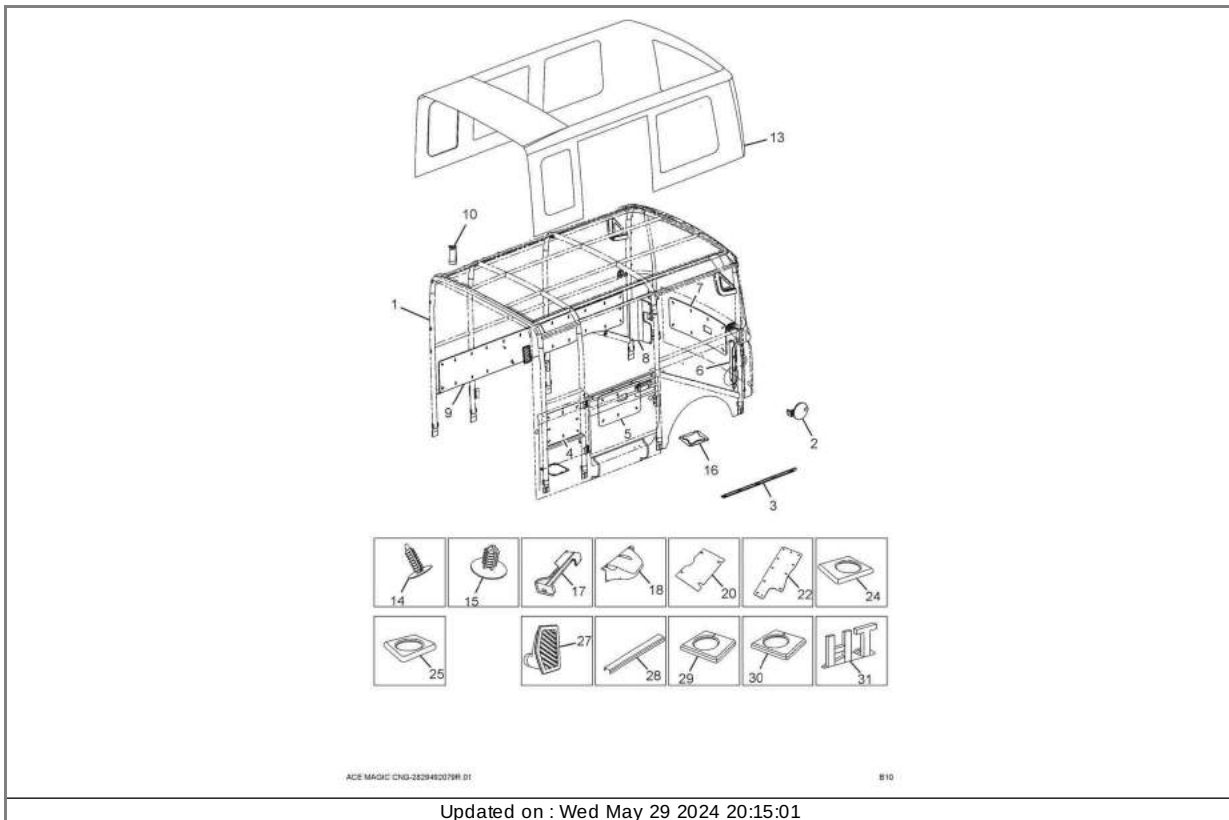
VC No : 55233320000R Group : (60) BODY Table : (2829172073R.01-REAR DOOR FITMENTS)				
Fig.	Part No	Part Description	Qty	Remarks
1	282973506303	SIDE DOOR PRIMARY SEAL (M/S METZLER)	1	
2	282973706301	PLASTIC MEMBRANE RR DOOR LH	1	
3	282973700101	ASSY PAD REAR DOOR	1	
4	265472700103	DOOR PAD CLIP BS1/2/3/4	6	
5	282974306303	HINGE COVER	2	
6	282973306301	REAR DOOR TOP COVER	1	
7	269974208252	SHIM DOVETAIL BOTTOM DOOR SIDE-TAILGATE	2	
8	282973303801	DOVETAIL DOOR SIDE	1	
9	282973306302	STRAP(RR DOOR)-PC	1	
10	282972300119	ASSY. DOOR LATCH LH BS2/3/4/6	1	
11	267872300164	ASSY DOOR STRIKER (SHIVANI)	1	
12	267872306311	PLASTIC CAP DOOR STRIKER (JAIHIND)	1	
13	282973706303	PLUG BUTTON	1	
14	282973300108	ASSY INNER HANDLE REAR DOOR	1	
15	269974306306	DOVETAIL BOTTOM (BODY SIDE)	1	
16	264172306302	KNOB	1	
17	269872300102C7	GRANIT_BLACK-ASSY OUTER HANDLE LH BS6	1	
18	282973306303	GROMMET POP UP KNOB	1	
19	282973306003	LINK POP UP KNOB TO LATCH	1	
20	282973306001	LINK OUTER HANDLE TO LATCH	1	
21	282973306002	LINK INNER HANDLE TO LATCH	1	
24	265469504301	SPRING CLIP INNER LINING	3	



VC No : 55233320000R Group : (60) BODY Table : (2829172074R.01-TAIL GATE DOOR)				
Fig.	Part No	Part Description	Qty	Remarks
1	282974306301	TAIL GATE TOP COVER	1	
2	282974206301	REGISTRATION PLATE GARNISH T GATE	1	
3	282972300120	ASSY. DOOR LATCH RH BS2/3/4/6	1	
4	269872300103C7	GRANIT_BLACK-ASSY OUTER HANDLE RH BS6	1	
5	267872300113	ASSY STIKER	2	
6	282973300108	ASSY INNER HANDLE	1	
7	282974306303	HIGH COVER	2	
8	282974306302	ASSY CHECK STRAP	1	
9	269974306306	DOVETAIL BOTTOM (BODY SIDE)	1	
10	282973303801	DOVETAIL DOOR SIDE	1	
-	269974208252	SHIM DOVETAIL BOTTOM DOOR SIDE-TAILGATE	2	
11	553773300104	HINGE ASSY REAR DOOR LH	2	
12	282974700101	ASSY PAD TAIL GATE	1	
-	282974506302	MOULD PRIMARY SEAL TAILGATE	1	
15	264172306302	KNOB	1	
16	282973306303	GROMMET POP UP KNOB	1	
17	282973706303	PLUG BUTTON	1	
18	282974306001	LINK OUTER HANDLE TO LATCH TGATE	1	
19	282974306002	LINK INNER HANDLE TO LATCH	1	
20	282973306003	LINK POP UP KNOB TO LATCH TAILGATE	1	
21	-	NUMBER PLATE STOPPER	2	NOT SERVICED , MORE THAN 10 YR
22	282974706301	PLASTIC MEMBRANE TAILGATE	1	
23	282981806304	MAGIC MASCOT	1	



VC No : 55233320000R Group : (60) BODY Table : (2829492079R.01-PASSENGER CABIN FITMENTS (ACE MAGIC CNG))				
Fig.	Part No	Part Description	Qty	Remarks
1	282979100128	ASSY TUBULAR STRUCTURE COMPLETE - ACE MAGIC	1	
2	282963700112	ASSY LID FUEL FILTER HOUSING	1	
3	282973306304	SCUFF PLATE REAR DOOR SIDE	1	
4	282969106303	TRIM PAD FRONT LH	1	
5	282973700101	ASSY PAD REAR DOOR	1	
6	282969106306	TAIL LAMP TRIM LH	1	
7	282974700101	ASSY PAD TAIL GATE	1	
8	282969106307	TAIL LAMP TRIM RH	1	
9	282969106304	PAD SIDE WALL INNER RH	1	
10	282981100122	ASSY HAND HOLD	4	
13	282979200103	ASSY. CANOPY COMPLETE -TMETC BS2/3/4	1	
14	282999506303	CANOPY SIDE MTG CLIP BS2/3/4	28	
15	282999506302	CANOPY TOP MTG CLIP	7	
16	282961604701	COVER FUEL FILTER	1	
17	282981306307	REAR ENGINE COVER BOTTOM (FLEET GAURD)	1	
18	282981306308	REAR ENGINE COVER TOP (FLEET GAURD)	1	
20	282968406313	REAR FLOOR MAT	1	
22	282969106305	PAD SIDE WALL REAR INNER LH	1	
24	282969106312	COVER SIDE TUBE FRONT LH	1	
25	282969106313	COVER SIDE TUBE REAR LH	1	
27	282969100101	ASSY AIR INTAKE GRILL	1	
28	282981106318	SIDE WALL TOP COVER RH	1	
29	282969306301	TUBE COVER REAR (PC)	1	
30	282969306302	TOP COVER REAR(PC)-RH	1	
31	282981806305	MASCOT HT	1	



VC No : 55233320000R Group : (60) BODY Table : (2829172082R.01-WINDSHIELD WIPER)				
Fig.	Part No	Part Description	Qty	Remarks
1	282982400120	ASSY WIPER MOTOR WITH MTG. BKT	1	
2	282982400121	KIT FRONT WIPER SYSTEM	1	
	-----	CONSISTING OF:		
	-----	WHEEL BOX DRIVER SIDE	1	
	-----	WHEEL BOX CO-DRIVER SIDE	1	
	-----	WIPER LINK 128MM	1	
	-----	WIPER LINK 430MM	1	
6	552382900105	KIT-WASHER SYSTEM	1	
	-----	CONSISTING OF:		
	-----	ASSY PUMP - M/S.TATA FICOSA	1	
	-----	TANK UNIT - TATA FICOSA	1	
	-----	TEE JOINT - M/S.TATA FICOSA	1	
	-----	FEXIBLE PIPE	1	
	-----	FLEXIBLE PIPE CO-DRIVER SIDE	1	
	-----	EXTENSION PIECE	1	
	-----	FLEXIBLE PIPE DRIVER SIDE	1	
7	282982407501	RUBBER BOOT (WHEEL BOX)	2	
-	282982407502	RUBBER GROMMET	1	
8	282982400133	ASSY ARM, BLADE & NOZZLE FITMENT DRIVER	1	
9	282982400135	ASSY ARM, BLADE & NOZZLE FITMENT M/S. BC	1	

