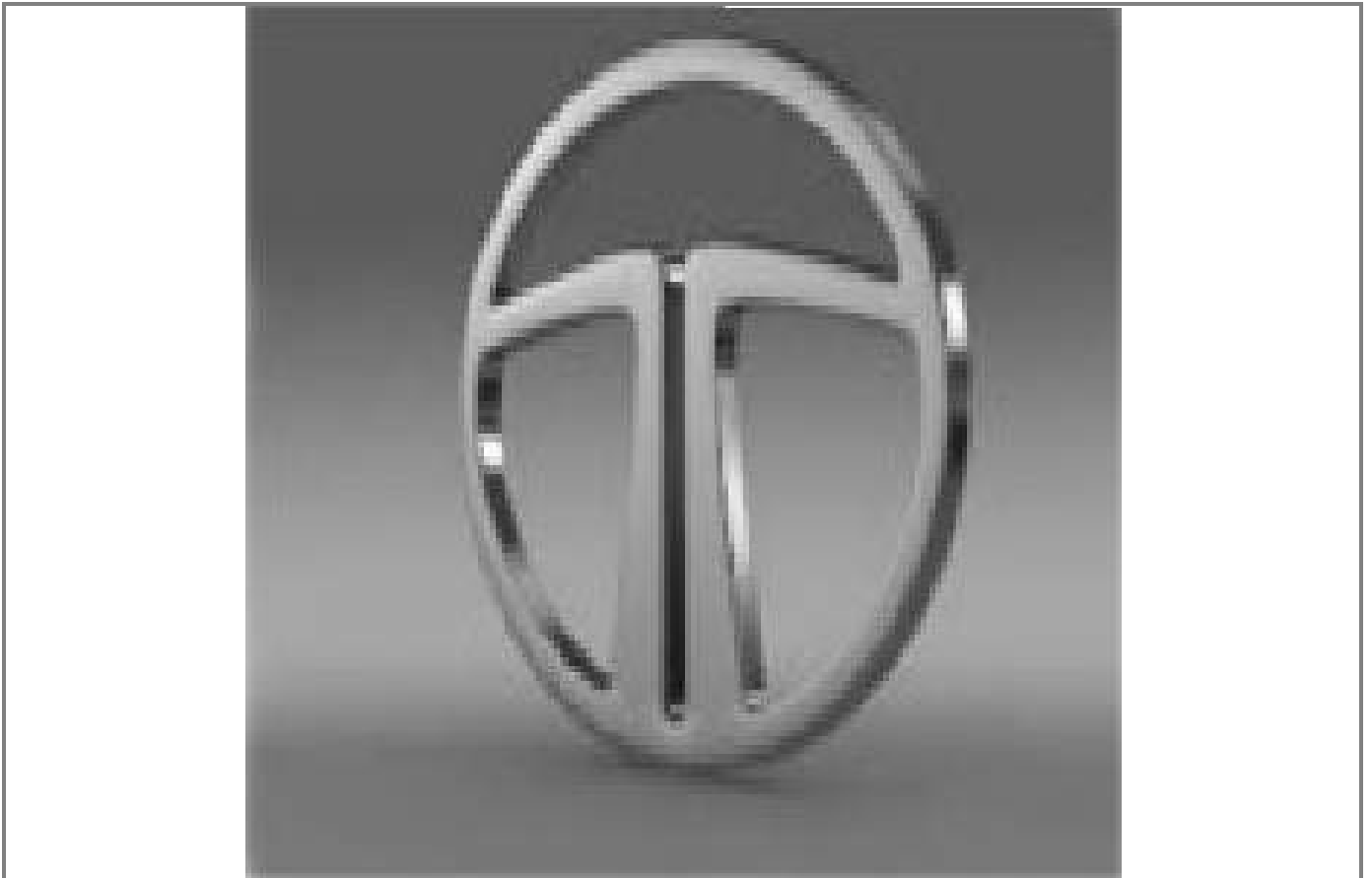




Commercial Vehicle Business Unit

Product Spare Parts Catalogue

Model	FULL FORWARD CONTROL CHASSIS WITH NON-SLEEPER CAB,6X4 RHD, 6 BTAA CUMMINS BS-II,24 VOLT S,WHEEL BASE 3880 MM WITH APP PROV.
Model Category	HCV-I : (17 TONS TO 29 TONS)
VC No	21715238000R
Chassis Type	396522
Engine Type	6BTAA 180 HP CUMMINS BS-II
Fuel Type	



Updated on: Wed Mar 30 2022 20:15:02

Table Of Contents

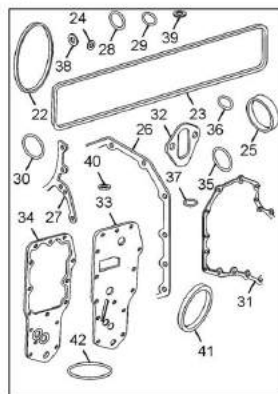
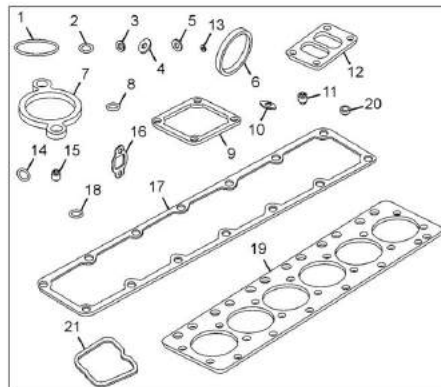
Table Of Contents	1
ENGINE	4
278 615440 0 R.01-ENGINE	4
278 615440 0 R.02-ENGINE OVERHAUL KIT	5
278 615440 0 R.03-ENGINE GASKET KIT	6
278 615440 1 R.01-CYLINDER BLOCK	8
278 615440 1 R.02-OIL PAN	9
278 615440 1 R.03-FRONT GEAR COVER	10
278 615440 1 R.04-CYLINDER HEAD	11
278 615440 1 R.05-VALVE COVER	12
278 615440 1 R.06-AIR HEATER STARTING	13
278 615440 1 R.08-CAM FOLLOWER COVER	14
278 615440 1 R.09-AIR INTAKE CONNECTION	15
278 615440 1 R.10-OIL FILL LOCATION	16
278 615440 1 R.11-DIPSTICK	17
278 615440 1 R.12-FITMENTS ON ENGINE	18
IC 90 110 .01.0 7P-INTAKE MANIFOLD	19
278 615440 3 R.01-CRANKSHAFT AND MAIN BEARING	20
278 615440 3 R.02-CONNECTING ROD AND PISTON	22
278 615440 3 R.03-VIBRATION DAMPER	24
278 615440 3 R.04-FLYWHEEL AND FLYWHEEL HOUSING	25
278 615440 3 R.05-SPACER BEARING (CLUTCH REAR)	26
278 615440 5 R.01-CAMSHAFT AND TAPPETS	27
278 615440 5 R.02-ROCKER LEVER	28
278 615440 7 R.01-FUEL PUMP COUPLING	29
278 615440 7 R.02-FUEL INJECTION PUMP	30
278 615440 7 R.03-PUMP, FUEL TRANSFER	31
278 615440 7 R.04-FUEL LINES	32
278 615440 7 R.05-PLUMBING FUEL FILTER	33
278 615440 7 R.06-ACCESSORIES FUEL	34
278 615440 7 R.07-PLUMBING, AIR FUEL	35
278 615440 7 R.08-INJECTOR	36
278 615440 9 R.01-FUEL FILTER	37
278 615440 9 R.02-ENGINE VENT PLUMBING	38
278 61544 13 R.01-AIR COMPRESSOR	39
278 61544 13 R.02-COVER AIR COMPRESSOR	40
278 61544 13 R.03-REPAIR KIT FOR AIR COMPRESSOR	41
278 61544 14 R.01-EXHAUST MANIFOLD AND MOUNTING	42
278 61544 14 R.02-TURBOCHARGER	43
278 61544 14 R.03-TURBOCHARGER PLUMBING	44
278 61544 14 R.04-CONNECTION AIR INTAKE	45
278 61544 14 R.05-CONNECTION EXHAUST OUTLET	46
278 61544 14 R.06-INTERCOOLER AND INTERCOOLER CONNECTION	47
278 61544 15 R.01-STARTER MOTOR	48
278 61544 15 R.02-ALTERNATOR AND ALTERNATOR LOCATION	49
278 61544 15 R.03-ALTERNATOR MOUNTING	50
278 61544 18 R.01-LUBRICATING OIL COOLER / OIL FILTER	51
278 61544 18 R.02-OIL PUMP	52
278 61544 20 R.01-THERMOSTAT	53
278 61544 20 R.02-WATER PUMP	54
278 61544 20 R.03-FAN AND FAN DRIVE	55
278 61544 20 R.04-CLUTCH VISCOUS FAN	56
278 61531 21 R.01A-AIR FILTER	57
278 61544 22 R.01-ENGINE LIFTING	58
21670 138 24 R.01-ENGINE MOUNTING	59
27240 10 425 R.01-CLUTCH	60
GEARBOX	63
21715238 26 R.01-GEAR BOX, HOUSING AND COVERS (G 600)	63
21715238 26 R.02-TOP COVER	65
21715238 26 R.03-SHIFTER SHAFT AND FORK	67
21715238 26 R.04-DRIVE SHAFT	68
21715238 26 R.05-MAIN SHAFT AND GEARS	69
21715238 26 R.06-COUNTER SHAFT, GEARS AND REVERSE IDLER	73
21715238 26 R.07-GEAR SHIFT LINKAGE	74
CONTROLS	75

28 410 93229R.01-PEDALS(WITH SLAVE CYLINDER)	75
ACCELERATOR	78
2171473830R.01-ACCELERATOR CONTROL	78
FRAME	79
2167013831R.01-FRAME	79
SUSPENSION	82
2167023832R.01-FRONT SPRING AND SUSPENSION	82
2167023832R.02-FRONT SHOCK ABSORBER	84
2167023832R.03-ANTI ROLL BAR FRONT	85
2167023832R.04-REAR SPRING AND SUSPENSION	87
FRONT AXLE	89
2167023833R.01-FRONT AXLE	89
2167023833R.02-FRONT WHEEL BRAKE (M/S. AAL)	93
REAR AXLE	96
2725031835R.01-REAR AXLE (TANDEM BOGIE AXLE)	96
2725031835R.02-FORWARD DIFFERENTIAL CARRIER (REAR)	98
2725031835R.03-FORWARD REAR CARRIER (INTER AXLE)	100
2725031835R.04-REAR, REAR CARRIER	101
2725031835R.05-REAR AXLE BEAM (FWD AND REAR)	102
2725031835R.06-REAR AXLE SHAFT	103
2725031835R.07-REPAIR KITS	104
2725031835R.08-BRAKE FORWARD AND REAR REAR AXLE(AAL)	105
WHEELS	108
2171103840R.01-WHEELS	108
2171103840R.02-SPARE WHEEL CARRIER	109
PROPELLER SHAFT	110
2171523841R.01-PROPELLER SHAFT	110
2171523841R.02-PROPELLER SHAFT COMPONENTS	111
BRAKES	112
2171473843R.01A-BRAKE AGGREGATES AND PIPES	112
2171473843R.02A-AUTO SLACK ADJUSTER	116
2171473843R.03-FRONT BRAKE CHAMBER VO SS (SCL)	119
2171473843R.04-FRONT BRAKE CHAMBER VO SS (KB)	120
2171473843R.05A-REAR BRAKE ACTUATOR VO SS REAR FWD AXLE(SCL)	121
2171473843R.06-REAR BRAKE ACTUATOR VO SS REAR RWD AXLE (SCL)	122
2171473843R.08A-BRAKE ACTUATOR VO SS REAR FWD AXLE (KB)	123
2171473843R.09-BRAKE ACTUATOR VO SS REAR RWD AXLE (KB)	125
2171473843R.12A-DRYING & DISTRIBUTION UNIT (SCL)	126
2171473843R.13-SYSTEM PROTECTION VALVE(KB)	130
2171473843R.14-AIR DRYER (KB)	131
2171473843R.15A-HAND CONTROL VALVE (SCL)	132
2171473843R.16-HAND CONTROL VALVE (KB)	133
2171473843R.17-DUAL BRAKE VALVE VO SS (SCL)	135
2171473843R.19-FOOT BRAKE(TREADLE) VALVE VO SS (KB)	136
2171473843R.20-RELAY VALVE VO SS(SCL)	138
2171473843R.22A-RELAY VALVE VO SS (KB)	139
STEERING	140
2167113846R.01A-STEERING LINKAGES	140
2167113846R.02A-STEERING AGGREGATES AND PIPE LINES	142
2167113846R.03-STEERING GEAR BOX (RANE)	144
2167113846R.04-STEERING GEAR BOX (CHINA STEERING SYSTEM)	147
2167113846R.05-REPAIR KIT- POWER STEERING GEAR BOX (ZF)	149
2167113846R.06-STEERING PUMP (CHINA)	150
2167113846R.07-HYDRAULIC TANK (ZF)	151
2167113846R.08-HYDRAULIC TANK (RANE)	152
2167113846R.09-HYDRAULIC TANK (CHINA STRG SYSTEM)	154
FUEL SYSTEM	155
2171163847R.01-FUEL SYSTEM	155
EXHAUST SYSTEM	156
2171473849R.01-EXHAUST SYSTEM	156
RADIATOR	157
2786155850R.01-RADIATOR	157
2786155850R.02-RADIATOR CONNECTION	159
ELECTRICALS	160
2157341654R.01-CABLE SET AND ROUTING	160
2157341654R.02-LIGHT AND SIGNAL SYSTEM	161
2157341654R.03-INSTRUMENT CLUSTER (MINDA)	162
2157341654R.04-INSTRUMENT CLUSTER (IIL)	163

BODY	164
2679011660R.01-NON SLEEPER CAB	164
2679011660R.02-CAB SHEET METAL AND FITMENTS	165
2679011660R.03-CAB FITMENTS	168
2631023272R.01E-DOOR AND FITMENTS	170
2157342182R.01A-WIPER ARRANGEMENT	173
2679011788R.01A-BUMPER, ENGINE HOOD, FENDER	175
2679011989R.01B-CAB MOUNTING	176
2679011391R.01A-SEAT AND SEAT BELTS	177

VC No : 21715238000R Group : (00) ENGINE Table : (2786154400R.03-ENGINE GASKET KIT)

Fig.	Part No	Part Description	Qty	Remarks
	278620999933	SET-UPPER ENGINE GASKET BS1/2/3	1	
1	278607999910	SEAL O RING (BIG)	1	
2	278607999911	SEAL O RING (SMALL)	1	
3	278607999924	WASHER, SEALING (3918191)	6	
4	278607999925	WASHER SEALING BS1/2/3/4	4	
5	278613999102	SEALING WASHER	4	
6	278620999910	SEAL RECTANGULAR RING	1	
7	278620999922	GASKET CONNECTION	1	
8	278614999920	SEAL O RING	2	
9	278620999941	GASKET,CONNECTION	2	
10	278614999903	GASKET OIL DRAIN	1	
11	278605999959	OIL SEAL (VALVE STEM) BS1/2/3/4	6	
12	278614999902	GASKET TURBOCHARGER	1	
13	278607997716	SEAL, BANJO CONNECTOR	6	
14	278607999913	SEAL RECTANGULAR RING	6	
15	278605999959	OIL SEAL (VALVE STEM) BS1/2/3/4	6	
16	278614999915	GASKET MANIFOLD-CNG BS1/2/3/4	6	
17	278601989912	GASKET INT. MANIFOLD COVER	1	
18	278614999926	WASHER SEALING	2	
19	278601990118	GASKET,CYLINDER HEAD 6BT BS1/2/3/4	1	
20	278601989903	ISOLATOR VALVE BS1/2/3/4	6	
21	278605999928	GASKET VALVE COVER (3930906) BS1/2/3/4	6	
	278601999993	SET-LOWER ENGINE GASKET BS1/2/3	1	
22	278613997703	SEAL RECTANGULAR RING	1	
23	278605999901	GASKET PUSH ROD COVER BS1/2/3/4	1	



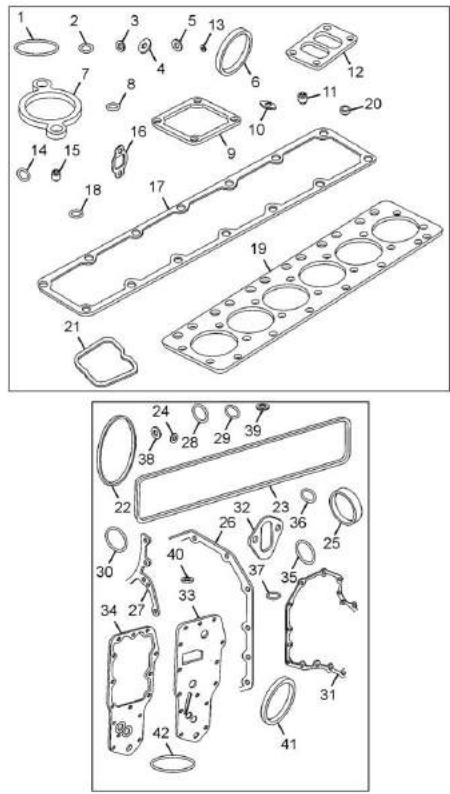
80 1615 TC-00-01-03

F08

Updated on : Wed Mar 30 2022 20:15:02

VC No : 2171523800R Group : (00) ENGINE Table : (2786154400R.03-ENGINE GASKET KIT)

Fig.	Part No	Part Description	Qty	Remarks
24	278605999904	SEAL GROMMET	6	
25	278603997702	SEAL OIL BS1/2/3/4	1	
26	278603999921	GASKET REAR COVER	1	
27	278607999918	GASKET GEAR HSG BS1/2/3/4	1	
28	278603999930	SEAL O RING	1	
29	278609999940	SEAL O RING	1	
30	278603999928	SEAL RECTANGULAR	1	
31	278607999926	GASKET GEAR COVER BS1/2/3/4	1	
32	220014105302	GASKET COVER PLATE	2	
33	278609999962	GASKET LUB. FILTER HEAD	1	
34	278618999910	GASKET LUG COOLER BS1/2/3/4	1	
35	278601999918	SEAL RECTANGULAR RING	1	
36	278603999950	SEAL O RING	1	
37	278618999908	SEAL V'O\RING	1	
38	278601997702	WASHER SEALING	1	
39	278609999935	WASHER SEALING	1	
40	278618995303	GASKET FLANGE BS1/2/3/4	1	
41	570120997701	SEAL RECTANGULAR RING	1	
42	278620999910	SEAL RECTANGULAR RING	1	
	278618999934	NOZZLE PISTON COOLING	6	



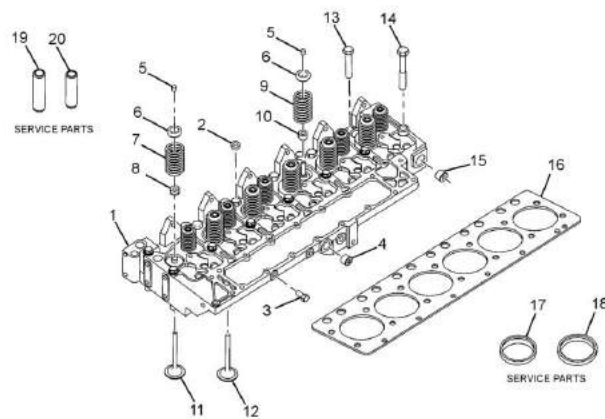
80 1615 TC-00-01-03

F08

Updated on : Wed Mar 30 2022 20:15:02

VC No : 21715238000R Group : (00) ENGINE Table : (2786154401R.04-CYLINDER HEAD)

Fig.	Part No	Part Description	Qty	Remarks
1	278601990112	ASSY. CYLINDER HEAD W/VALVES BS1/2/3	1	
2	278601999920	PLUG EXPANSION	5	
3	278601999913	PLUG PIPE	2	
4	278601999945	PLUG PIPE	5	
5	278601999925	COLLET VALVE	24	
6	278605999960	RETAINER VALVE SPRING	12	
7	278601999912	SPRING COMPRESSION	6	
8	278605999959	OIL SEAL (VALVE STEM) BS1/2/3/4	6	
9	278601999921	SPRING VALVE	6	
10	278605999959	OIL SEAL (VALVE STEM) BS1/2/3/4	6	
-	885401012786	VALVE KIT 6BT BS II	1	
	-----	Consists of:		
11	278601999926	VALVE,INTAKE 6BT BS1/2/3	6	
12	278601999928	VALVE,EXHAUST 6BT 125/230HP BS1/2/3	6	
13	278601999929	SCREW HEX. HEAD CAP	6	
14	278601999930	SCREW HEX. HEAD CAP	14	
15	278601999944	PLUG PIPE	1	
16	278601990118	GASKET,CYLINDER HEAD 6BT BS1/2/3/4	1	
16	278601999932	GASKET,CYL. HEAD RS1 0.25MM 6BT BS2/BS3	1	SERVICE PART
16	278601999933	GASKET,CYLINDER HEAD 6BT BS1/BS2	1	SERVICE PART
17	278601999934	INSERT VALVE EXHAUST	6	SERVICE PART
18	278601999935	INSERT VALVE INTAKE	6	SERVICE PART
19	278601999936	GUIDE VALVE STEM INTAKE	6	
20	278601999937	GUIDE VALVE STEM EXHAUST	6	



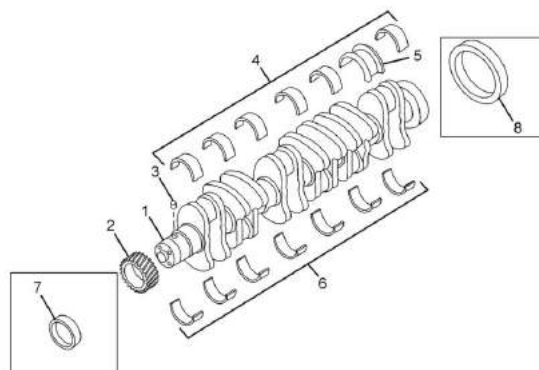
LPK2516C-00-01-07

P07

Updated on : Wed Mar 30 2022 20:15:02

VC No : 21715238000R Group : (00) ENGINE Table : (2786154403R.01-CRANKSHAFT AND MAIN BEARING)

Fig.	Part No	Part Description	Qty	Remarks
1	278603990246	CRANKSHAFT,ENGINE W/GEAR 6BT BS1/2/3/4	1	
2	278603999905	GEAR CRANKSHAFT	1	
3	278603999906	DOWEL PIN	1	
	278601999801	SET-MAIN BRG STD BS1/2/3/4	1	NO LONGER SERVICEABLE, SERVICE
	278603990202	KIT-MAIN BEARING ISBe5.9 BS1/2/3/4	1	SERVICED AS A SET
4	-	BEARING MAIN (UPPER)	6	
6	-	BEARING MAIN (LOWER)	7	
5	-	BEARING CRANKSHAFT (THRUST)	1	
	278601999802	SET-MAIN BEARING RS1 6BT BS1/2/3	1	SERVICED AS A SET
4	-	BEARING MAIN (UPPER)	6	
6	-	BEARING MAIN (LOWER)	7	
5	-	BEARING CRANKSHAFT (THRUST)	1	
	278603990106	SET-MAIN BEARING RS2 BS1/2/3	1	SERVICED AS A SET
4	-	BEARING MAIN (UPPER)	6	
6	-	BEARING MAIN (LOWER)	7	
5	-	BEARING CRANKSHAFT (THRUST)	1	
	278603990107	SET OF MAIN BEARING (RS III) CONSISTS OF:(0.75 MM OVERSIZE)	1	SERVICED AS A SET
4	-	BEARING MAIN (UPPER)	6	
6	-	BEARING MAIN (LOWER)	7	
5	-	BEARING CRANKSHAFT (THRUST)	1	
	278603990108	SET OF MAIN BEARING (RS IV) CONSISTS OF:(1.00 MM OVERSIZE)	1	SERVICED AS A SET
4	-	BEARING MAIN (UPPER)	6	
6	-	BEARING MAIN (LOWER)	7	
5	-	BEARING CRANKSHAFT (THRUST)	1	
7	278603999907	SLEEVE WEAR-FRONT BS1/2/3	1	SERVICE PART



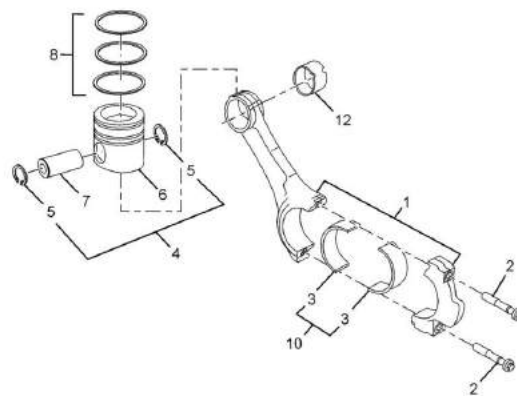
LPK2516C-00.03.01

E07

Updated on : Wed Mar 30 2022 20:15:02

VC No : 21715238000R Group : (00) ENGINE Table : (2786154403R.02-CONNECTING ROD AND PISTON)

Fig.	Part No	Part Description	Qty	Remarks
1	278603990175	CONNECTING ROD ISBe5.9/6.7 BS1/2/3/4/6	6	
2	278603998002	SCREW,CONNECTING ROD CAP	12	FOR FRACTURE SPLIT CONNECTING
2	278603999901	SCREW CONNECTING ROD CAP	12	FOR MACHINED CONNECTING ROD
	-----	BARE PISTON SET		
4	278603999973	KIT-BARE PISTON STD 6BT(SET OF 6)BS1/2/3	1	SERVICED AS A SET
6	-	PISTON	6	NOT SERVICED LOOSE
7	-	PIN PISTON	6	NOT SERVICED LOOSE
5	-	RETAINING RING	12	NOT SERVICED LOOSE
4	278603999975	KIT-PISTON BARE RS1 6BT BS2/3/4	1	SERVICED AS A SET
6	-	PISTON	6	NOT SERVICED LOOSE
7	-	PIN PISTON	6	NOT SERVICED LOOSE
5	-	RING RETAINING	12	NOT SERVICED LOOSE
4	278603999841	SET-BARE PISTON RS-II BS1/2	1	SERVICED AS A SET
6	-	PISTON	6	NOT SERVICED LOOSE
7	-	PIN PISTON	6	NOT SERVICED LOOSE
5	-	RING RETAINING	12	NOT SERVICED LOOSE
	-----	PISTON RING SET		
8	278603999977	SET-PISTON RING STD BS1/2/3	1	SERVICED AS A SET
	-	OIL RING	6	NOT SERVICED LOOSE
	-	COMPRESSION RING	6	NOT SERVICED LOOSE
	-	COMPRESSION RING	6	NOT SERVICED LOOSE
8	278603999978	SET-PISTON RINGS RS1 BS1/2/3	1	SERVICED AS A SET
	-	OIL RING	6	NOT SERVICED LOOSE
	-	COMPRESSION RING	6	NOT SERVICED LOOSE
	-	COMPRESSION RING	6	NOT SERVICED LOOSE



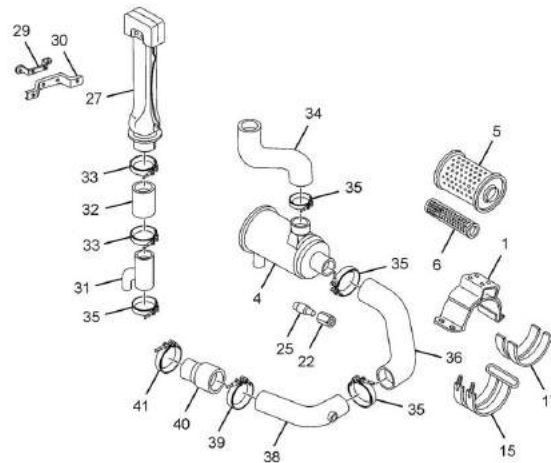
LPK2516C-00 03.02

P07

Updated on : Wed Mar 30 2022 20:15:02

VC No : 21715238000R Group : (00) ENGINE Table : (2786153121R.01A-AIR FILTER)

Fig.	Part No	Part Description	Qty	Remarks
1	278609130184	ASSY AIR FILTER MOUNTING BRACKET	1	
4	278609130276	ASSY AIR FILTER	1	
5	278609139908	AIR FILTER PRIMARY ELEMENT BS1/2/3/4/6	1	
6	278609139909	AIR FILTER ELEMENT SAFETY BS1/2/3/4/6	1	
15	278609130120	ASSY STRAP WITH SHACKLE	1	
17	252509139902	RUBBER STRAP	2	
22	278609139920	ADAPTOR (M10x1 FEMALE TO 1/8 FEMALE)	1	
25	254709139918	SERVICE INDICATOR BS1/2/3/4/6	1	
27	278609130316	ASSY AIR INLET DUCT	1	
29	278609130105	ASSY CLAMP (ON CAB REAR WALL)	1	
30	278609130346	ASSY BRACKET(AIR INLET DUCT LWR MTG)	1	
31	278609130213	ASSY PRE-CLEANER	1	
32	278609135807	RUBBER HOSE (FROM DUCT TO PRE CLEANER)	1	
33	14280598225	HOSE CLAMP TB-146	2	
34	278609135845	HOSE (PRE-CLEANER TO AIR FILTER)	1	
35	14280598233	HOSE CLAMP TB-144 SAE J1508	4	
36	278609135889	HOSE-FLEXIBLE BS1/2/3/4	1	
38	278609130323	ASSY AIR INTAKE PIPE	1	
39	14280598225	HOSE CLAMP TB-146	3	
	278609130315	ASSY BRACKET (AIR INTAKE CLAMPING)	1	
	278609130324	ASSY CLAMP	1	
40	278609135812	RUBBER HOSE (REDUCER)	1	
41	14280598209	HOSE CLAMP TB 112	1	



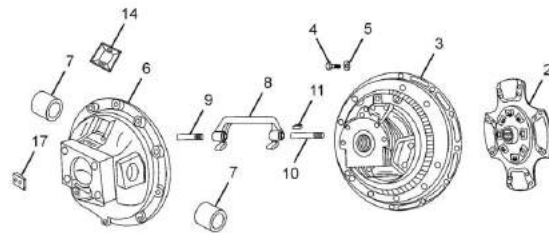
LPK2516C-06.00.03

F07

Updated on : Wed Mar 30 2022 20:15:02

VC No : 21715238000R Group : (00) ENGINE Table : (2724010425R.01-CLUTCH)

Fig.	Part No	Part Description	Qty	Remarks
2	275225200106	CLUTCH DISC 352 DIA. BS1/2/3/4	1	ORDER P/N 886325010001 FOR IB
3	275225400105	CLUTCH COVER 352 DIA. BS1/2/3/4	1	ORDER P/N 886325010002 FOR IB
4	275425408002	HEX. SCREW (FOR CLUTCH MOUNTING)	12	
5	275425409202	FLAT WASHER	12	
6	272425100117	SUB - ASSY CLUTCH HOUSING	1	
7	275425103401	BUSH	4	
8	275425605101	CLUTCH RELEASE YOKE 6BT BS1/2/3/4	1	
9	275425607901	CROSS SHAFT (KNURLED ON LH SIDE)	1	
10	275425607902	CROSS SHAFT (KNURLED ON RH SIDE)	1	
11	275425605901	KEY (CLUTCH RELEASE YOKE)	1	
14	0422510004J	COVER CLUTCH HOUSING UPPER	1	
17	269125108201	COVER	1	
	-----	REPAIR KITS		
	275425400119	RELEASE SLEEVE SERVICE KIT	1	ORDER P/N 886325010027 FOR IB
-		LOCK NUT SLEEVE	1	
-		SLEEVE	1	
-		SLEEVE BUSHING (IMP.)	1	
-		ADJ. RING	1	
	275425400110	KIT-RELEASE LEVER BS1/2/3/4	1	ORDER P/N 886325010012 FOR IB
-		RELEASE LEVER	3	
-		RETRACTOR SPRING	3	
-		PRESS PLATE PIN	3	
-		NEEDLE BEARING (IMP.)	6	
-		WASHER	6	
-		RETAINER SPRING	3	



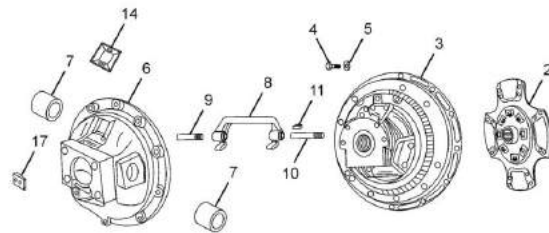
LPK2516-00 25 01

E97

Updated on : Wed Mar 30 2022 20:15:02

VC No : 21715238000R Group : (00) ENGINE Table : (2724010425R.01-CLUTCH)

Fig.	Part No	Part Description	Qty	Remarks
	275425400111	KIT-PRESSURE SPRING BS1/2/3/4	1	ORDER P/N 886325010009 FOR IB
	-	PRESSURE SPRING	12	
	-	PRESSURE SPRING	9	
	275425400112	RELEASE BRG CASTING SERVICE KIT	1	ORDER P/N 886325010028 FOR IB
	-	GREASE NIPPLE	1	
	-	RELEASE BEARING HOUSING SUB. ASSY	1	
	-	BEARING HOUSING	1	
	-	WELDING W/BRG. HSG. WEAR PAD	2	
	275425400114	KIT- PR. PLATE & NEEDLE ROLLER BS1/2/3/4	1	ORDER P/N 886325010006 FOR IB
	-	PRESSURE PLATE	1	
	-	NEEDLE BEARING	6	
	275425400115	KIT-EYE BOLT & NEEDLE ROLLER BS1/2/3/4	1	ORDER P/N 886325010018 FOR IB
	-	EYE BOLT	3	
	-	LOCK NUT	3	
	-	ADJUSTING NUT	3	
	-	NEEDLE BEARING (IMP.)	3	
	-	EYE BOLT PIN	3	
	275425400116	RELEASE SPIDER SERVICE KIT	1	ORDER P/N 886325010026 FOR IB
	-	SPIDER	1	
	-	COTTER PIN	3	
	-	LOCK NUT SLEEVE	1	
	275425400120	HOLD DOWN BOLT KIT	1	ORDER P/N 886325010034 FOR IB
	-	HOLD DOWN BOLT	3	
	-	WASHER	3	
	275425200109	KIT-DISC FACING (AKN-L1909) BS1/2/3/4	1	ORDER P/N 886325010014 FOR IB



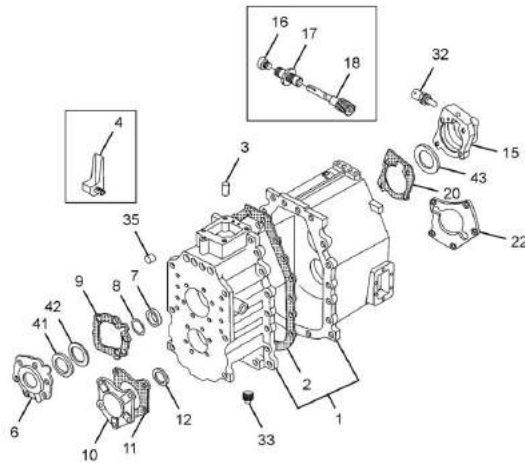
LPK2516-00 25 01

E97

Updated on : Wed Mar 30 2022 20:15:02

VC No : 21715238000R Group : (26) GEARBOX Table : (2171523826R.01-GEAR BOX, HOUSING AND COVERS (G 600))

Fig.	Part No	Part Description	Qty	Remarks
-	269126010258	ASSY. GEAR BOX G600-6/8.47 D150SER BS2	1	
1	269126100104	ASSY. GEAR BOX HSG. FRT+RR HALF BS1-4	1	
2	269126105303	GASKET (HOUSING FRONT & REAR)	1	
3	269126106701	PIN (GEAR BOX HOUSING)	2	
4	269126106301	OIL CATCHER	1	
-	269126108202	COVER (OIL CATCHER)	1	
6	269126253704	FRONT COVER (UPPER)	1	
7	269126257808	OIL SEAL BS1/2/3/4/6	1	
8	269126208301	SHIM (0.5 THK.)	AR	
8	269126208302	SHIM(0.25THK.)	AR	
8	269126208303	SHIM (0.125 THK.)	AR	
8	269126208304	SHIM(0.05THK.)	AR	
9	269126255302	GASKET (FRONT COVER-UPPER)	1	
10	269126303703	FRONT COVER (LOWER)	1	
11	269126255303	GASKET (FRONT COVER LOWER)	1	
12	269126308305	SHIM (0.5 THK.)-FRT COVER LOWER	AR	
12	269126308306	SHIM(0.25THK.)	AR	
12	269126308307	SHIM(0.125HK.)	AR	
12	269126308308	SHIM(0.05THK.)	AR	
15	269126203710	REAR COVER (UPPER)	1	
16	250626207804	OIL SEAL	1	
-	269126207807	DUST SEAL (REAR COVER)	1	
-	269126208601	SPACER	1	
17	269126203426	SPEEDO ADAPTOR (REAR COVER UPPER)	1	
18	269126207910	SPEEDO PINION (REAR COVER UPPER)	1	



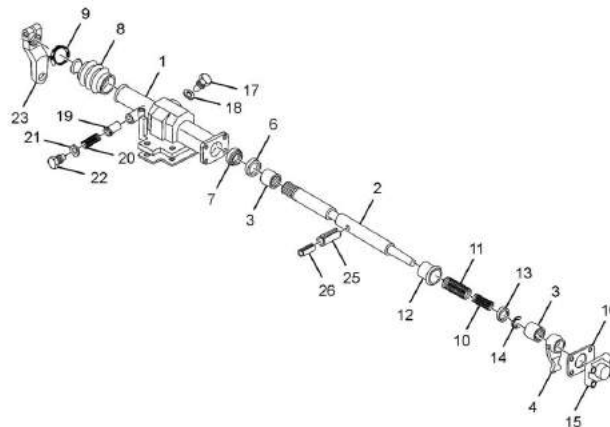
LPK2516C-26.26.04

F07

Updated on : Wed Mar 30 2022 20:15:02

VC No : 21715238000R Group : (26) GEARBOX Table : (2171523826R.02-TOP COVER)

Fig.	Part No	Part Description	Qty	Remarks
	269126710126	ASSY TOP COVER(SL.LEVER UP 85R)	1	
1	251626713705	GEAR CASE COVER TOP (UPPER HALF)	1	
-	251626715301	GASKET UPPER HALF GEAR CASE COVER TOP	1	
2	269126707902	SELECTOR SHIFTER SHAFT (6 SPEED)	1	
3	250726713105	NEEDLE CAGE	2	
4	269126715101	SHIFTER FINGER	1	
	269126713703	INTERLOCK FINGER	1	
6	17061602518	OIL SEAL B25X35X7	1	
7	250726717803	SCRAPER RING	1	
8	250526717701	BELLOW	1	
9	14285000255	HOSE CLAMP 25 IS4762 SS8451S2-Y	1	
10	269126718702	COMPRESSION SPRING (INNER)	1	
11	269126718701	COMPRESSION SPRING (OUTER)	1	
12	251626718201	CUP	1	
13	251626718601	SPACER	1	
14	14550801206	CIRCLIP E 12X1.3	1	
15	251626713805	COVER	1	
16	251626715302	GASKET,SIDE COVER	1	
17	251626716703	HEX. BOLT	1	
18	251626718602	CRINKLED WASHER	1	
19	251626716705	PRESSURE PIECE	1	
20	251626718704	COMPRESSION SPRING	1	
21	251626718603	CRINKLED WASHER.	1	
22	251626717201	SEALING PLUG	1	
23	250526706009	SHIFTING LEVER BS1/2/3/4/6	1	



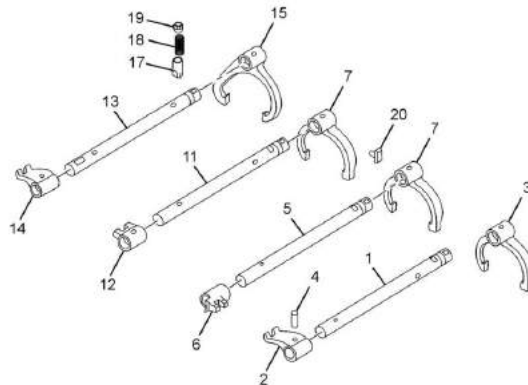
LPT2516-26 26 02

D07

Updated on : Wed Mar 30 2022 20:15:02

VC No : 21715238000R Group : (26) GEARBOX Table : (2171523826R.03-SHIFTER SHAFT AND FORK)

Fig.	Part No	Part Description	Qty	Remarks
1	269126517907	SHIFTER SHAFT (5TH / 6TH SPEED)	1	
2	269126515117	SHIFTER DOG (5TH / 6TH SPEED)	1	
3	269126515127	SHIFTER FORK (5TH/6TH)	1	
4	269126516705	SPIRAL PIN 8X36	2	
20	269126519901	BRASS PAD BS1/2/3/4	2	
5	269126517910	SHIFTER SHAFT (3/4 SPEED)	1	
6	269126515116	SHIFTER DOG (3RD/4TH SPEED)	1	
7	269126515125	SHIFTER FORK (1ST/2ND & 3RD/4TH) BS1-6	1	
4	269126516705	SPIRAL PIN 8X36	2	
20	269126519901	BRASS PAD BS1/2/3/4	2	
11	269126517908	SHIFTER SHAFT (1ST / 2ND SPEED)	1	
12	269126515115	SHIFTER DOG (1ST / 2ND SPEED)	1	
7	269126515125	SHIFTER FORK (1ST/2ND & 3RD/4TH) BS1-6	1	
4	269126516705	SPIRAL PIN 8X36	2	
20	269126519901	BRASS PAD BS1/2/3/4	2	
13	269126517918	SHIFTER SHAFT(REVERSE)	1	
14	269126515118	SHIFTER DOG (REVERSE)	1	
15	269126515113	SHIFTER FORK- REVERSE BS1/2/3/4/6	1	
4	269126516705	SPIRAL PIN 8X36	2	
17	269126510120	ASSY. DETENT BS1/2/3/4	4	
18	269126518703	COMPRESSION SPRING DETENT BS1/2/3/4/6	4	
19	26912610720290	SEALING PLUG - LOCTITE COATED	6	



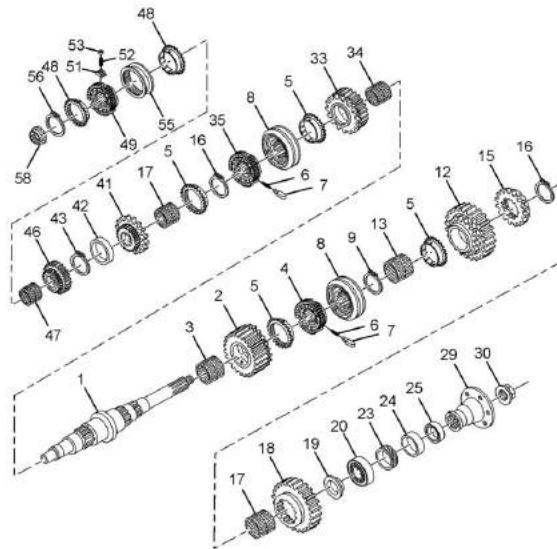
LPT2516-26 26 03

D07

Updated on : Wed Mar 30 2022 20:15:02

VC No : 21715238000R Group : (26) GEARBOX Table : (2171523826R.05-MAIN SHAFT AND GEARS)

Fig.	Part No	Part Description	Qty	Remarks
1	269126207911	MAIN SHAFT (34T/26T/38T) BS1/2/3/4	1	
2	269126200185	ASSY. HELICAL GEAR (2ND SPEED) BS1/2/3/4	1	
3	269126203120	NEEDLE CAGE DOUBLE ROW BS1/2/3/4/6	1	
4	269126204641	ENGAGING GEAR(1ST/2ND) LOOSE SYN.RING.	1	
5	269126204650	SYNCHRO CONE 1/2/3/4 (CARBON) BS1/2/3/4	2	
6	250726208705	COMPRESSION SPRING	3	
7	250726206702	RETENTION PIN	3	
8	269126204618	SHIFTER SLEEVE (51T)(1ST/2ND & 3RD/4TH)	1	
9	269126204315	CIRCLIP (2.5 THICK) 1ST SPEED	1	FOR SELECTION
9	269126204316	CIRCLIP (2.6 THICK) 1ST SPEED	1	FOR SELECTION
9	269126204317	CIRCLIP (2.7 THICK) 1ST SPEED	1	FOR SELECTION
9	269126204321	CIRCLIP (2.8 THICK) 1ST SPEED	1	FOR SELECTION
12	269126200184	ASSY. GEAR (1ST SPEED) BS1/2/3/4	1	
13	269126203111	NEEDLE CAGE 1ST SPEED BS1/2/3/4/6	1	
15	269126204624	ENGAGING GEAR (REVERSE)	1	
16	269126204301	CIRCLIP (1.8 THICK)	1	FOR SELECTION
16	269126204302	CIRCLIP (1.9 THICK)	1	FOR SELECTION
16	269126204303	CIRCLIP (2.0 THICK)	1	FOR SELECTION
16	269126204304	CIRCLIP (2.1 THICK)	1	FOR SELECTION
16	269126204305	CIRCLIP (2.2 THICK)	1	FOR SELECTION
16	269126204310	CIRCLIP (2.3 THICK)	1	FOR SELECTION
16	269126204311	CIRCLIP (2.4 THICK)	1	FOR SELECTION
17	269126203106	NEEDLE CAGE (REV.GEAR) BS1-6	1	
18	269126205413	REV.GEAR M/SHAFT(37T/32T) 6SP) BS1/2/3/4	1	
19	269126208612	SPACER (MAIN SHAFT) (11.4 THICK)	1	FOR SELECTION



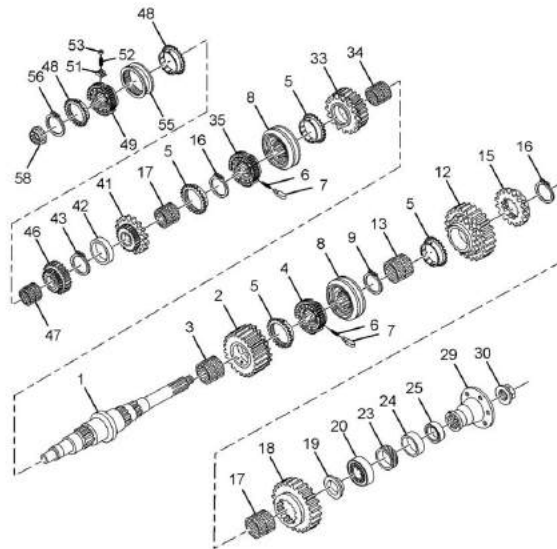
LPT1516-26 26 05

H07

Updated on : Wed Mar 30 2022 20:15:02

VC No : 21715238000R Group : (26) GEARBOX Table : (2171523826R.05-MAIN SHAFT AND GEARS)

Fig.	Part No	Part Description	Qty	Remarks
19	269126208613	SPACER (MAIN SHAFT) (11.3 THICK)	1	FOR SELECTION
19	269126208614	SPACER (MAIN SHAFT) (11.2 THICK)	1	FOR SELECTION
19	269126208615	SPACER (MAIN SHAFT) (11.1 THICK)	1	FOR SELECTION
19	269126208616	SPACER (MAIN SHAFT) (11.0 THICK)	1	FOR SELECTION
19	269126208617	SPACER (MAIN SHAFT) (10.9 THICK)	1	FOR SELECTION
19	269126208618	SPACER (MAIN SHAFT) (10.8 THICK)	1	FOR SELECTION
19	269126208619	SPACER (MAIN SHAFT) (10.7 THICK)	1	FOR SELECTION
19	269126208620	SPACER (MAIN SHAFT) (10.5 THICK)	1	FOR SELECTION
19	269126208624	SPACER (MAIN SHAFT) (11.6 THICK)	1	FOR SELECTION
19	269126208625	SPACER (MAIN SHAFT) (11.5 THICK)	1	FOR SELECTION
19	269126208626	SPACER (MAIN SHAFT) (10.5 THICK)	1	FOR SELECTION
19	269126208627	SPACER (MAIN SHAFT) (10.4 THICK)	1	FOR SELECTION
20	269126203103	TAPER ROLLER BRG. 28580/521 BS1/2/3/4	1	
23	268826205407	SPEEDO GEAR (M/SHAFT)	1	OPTIONAL
23	268826205407	ASSY SPEEDO GEAR NYLON(MAIN SHAFT)	1	OPTIONAL
24	269126208601	SPACER	1	
25	269126207814	OIL SEAL BS1/2/3/4	1	
29	269126200193	ASSY COUPLING FLANGE(DIA 150)WITH DUST COVER	1	FOR SELECTION
29	269126205109	COUPLING FLANGE (DIA 150)W/O DUST COVER	1	FOR SELECTION
30	268826206501	LOCK NUT BS1/2/3/4	1	
33	269126200186	ASSY. HELICAL GEAR (3RD SPEED) BS1/2/3/4	1	
34	269126200142	ASSY. NEEDLE CAGE-1ST/2ND/3RD GEAR BS1-6	1	
35	269126204642	ENG. GEAR(3RD/4TH) LOOSE SYN. RING BS1-4	1	
8	269126204618	SHIFTER SLEEVE (51T)(1ST/2ND & 3RD/4TH)	1	
7	250726206702	RETENTION PIN	3	



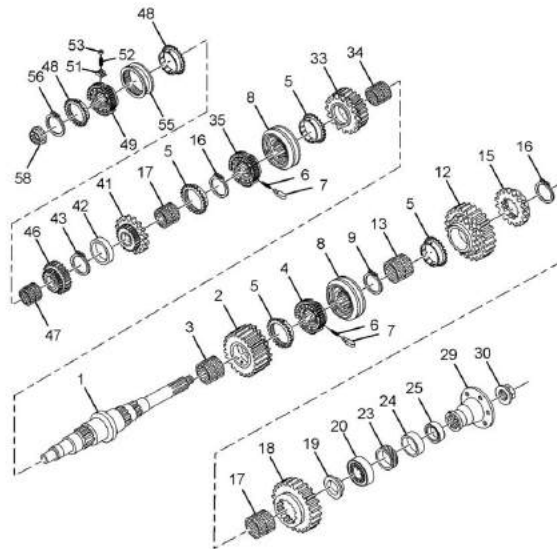
LPT1516-26 26 05

H07

Updated on : Wed Mar 30 2022 20:15:02

VC No : 21715238000R Group : (26) GEARBOX Table : (2171523826R.05-MAIN SHAFT AND GEARS)

Fig.	Part No	Part Description	Qty	Remarks
6	250726208705	COMPRESSION SPRING	3	
5	269126204650	SYNCHRO CONE 1/2/3/4 (CARBON) BS1/2/3/4	2	
16	269126204301	CRICLIP (1.8 THICK)	1	FOR SELECTION
16	269126204302	CIRCLIP (1.9 THICK)	1	FOR SELECTION
16	269126204303	CIRCLIP (2.0 THICK)	1	FOR SELECTION
16	269126204304	CIRCLIP (2.1 THICK)	1	FOR SELECTION
16	269126204305	CIRCLIP (2.2 THICK)	1	FOR SELECTION
16	269126204310	CIRCLIP (2.3 THICK)	1	FOR SELECTION
16	269126204311	CIRCLIP (2.4 THICK)	1	FOR SELECTION
17	269126203106	NEEDLE CAGE (REV.GEAR) BS1-6	1	
41	269126200187	ASSY. HELICAL GEAR (4TH SPEED) BS1/2/3/4	1	
42	269126208629	SPACER (MAIN SHAFT) BS1/2/3/4	1	
43	269126204306	CIRCLIP (2.4 THK)	1	FOR SELECTION
43	269126204307	CIRCLIP(2.5 THK)	1	FOR SELECTION
43	269126204308	CIRCLIP(2.6 THK)	1	FOR SELECTION
43	269126204309	CIRCLIP (2.7 THK)	1	FOR SELECTION
43	269126204312	CIRCLIP (2.8 THK.)	1	FOR SELECTION
43	269126204322	CIRCLIP (2.9 THK)	1	FOR SELECTION
46	269126200189	ASSY HELICAL GEAR (5TH SPEED) BS1/2/3/4	1	
	269126204652	SYNCHRO RING 5TH SPEED(48T) BS1/2/3/4	1	
47	269126200143	ASSY. NEEDLE CAGE-4TH GEAR BS1/2/3/4/6	1	
48	269126204651	SYNCHRO CONE (5/6 SPEED) BS1/2/3/4	1	
49	269126204640	ENG. GEAR (48T/48T/34T)(5TH/DS)BS1/2/3/4	1	
51	268826209901	CARRIER	3	
52	3219930701	COMPRESSION SPRING	3	



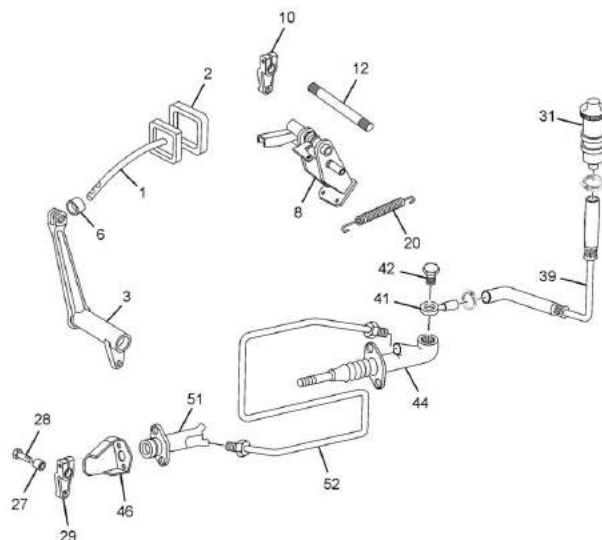
LPT1516-26 26 05

H07

Updated on : Wed Mar 30 2022 20:15:02

VC No : 21715238000R Group : (29) CONTROLS Table : (2841093229R.01-PEDALS(WITH SLAVE CYLINDER))

Fig.	Part No	Part Description	Qty	Remarks
1	257429100101	ASSY PEDAL PLATE.	1	
2	3202925082	RUBBER COVER BRAKE & CLUTCH PEDAL	2	
3	284129100101	LEVER ASSY	1	
-	3122911197	SEALING WASHER CLUTCH PEDAL	1	
-	11323998045	HEX SCREW M10X25 (PEDAL PLATE TO PEDAL LEVER)	1	
6	3222930077	WASHER BRAKE PEDAL	1	
8	208229500101	ASSY CONTROL MTG.BKT.WITH CYL.MTG.BKT	1	
-	3122941050	BUSH, PEDAL SHAFT SUPPORT BEARING	2	
10	284129100102	ASSY CLUTCH LEVER	1	
12	275129106902	TUBE, CLUTCH LEVER	1	
20	3129932510	RETURN SPRING CLUTCH PEDAL LEVER	1	
27	275129506301	BUSH	1	
28	13181530256	CLEVIS PIN 10 F 8X28X24	1	
29	275429106007	CLUTCH RELEASE LEVER	1	
31	283929100105	ASSY CLUTCH FLUID RESERVOIR WTH CLAMP-RH	1	
-	257343107502	RUBBER GROMMET	1	
39	208229150101	ASSY CONNECTING LINE (FOR HYD. CLUTCH)	1	
41	275029100107	NIPPLE & PIPE UNION ASSY	1	
42	264143106801	PIPE UNION BOLT	1	
44	208229100101	ASSY ALUMINIUM MASTER CYLINDER	1	OPTIONAL
44	275029100102	CLUTCH MASTER CYL. 19.05X36 DIA. BS1- 4	1	OPTIONAL
46	275429350101	ASSY BRACKET (RH) (SLAVE CYL. MOUNTING)	1	
51	275429100106	CLUTCH SLAVE CYLINDER BS1/2/3/4	1	
52	207729150108	TUBE ASSY (6.0D.X2380 LG.) MASTER CL. TO SLAVE CYL.	1	
-	265429100157	REPAIR KIT MAJOR SLAVE CYLINDER,CONSISTS OF :	1	



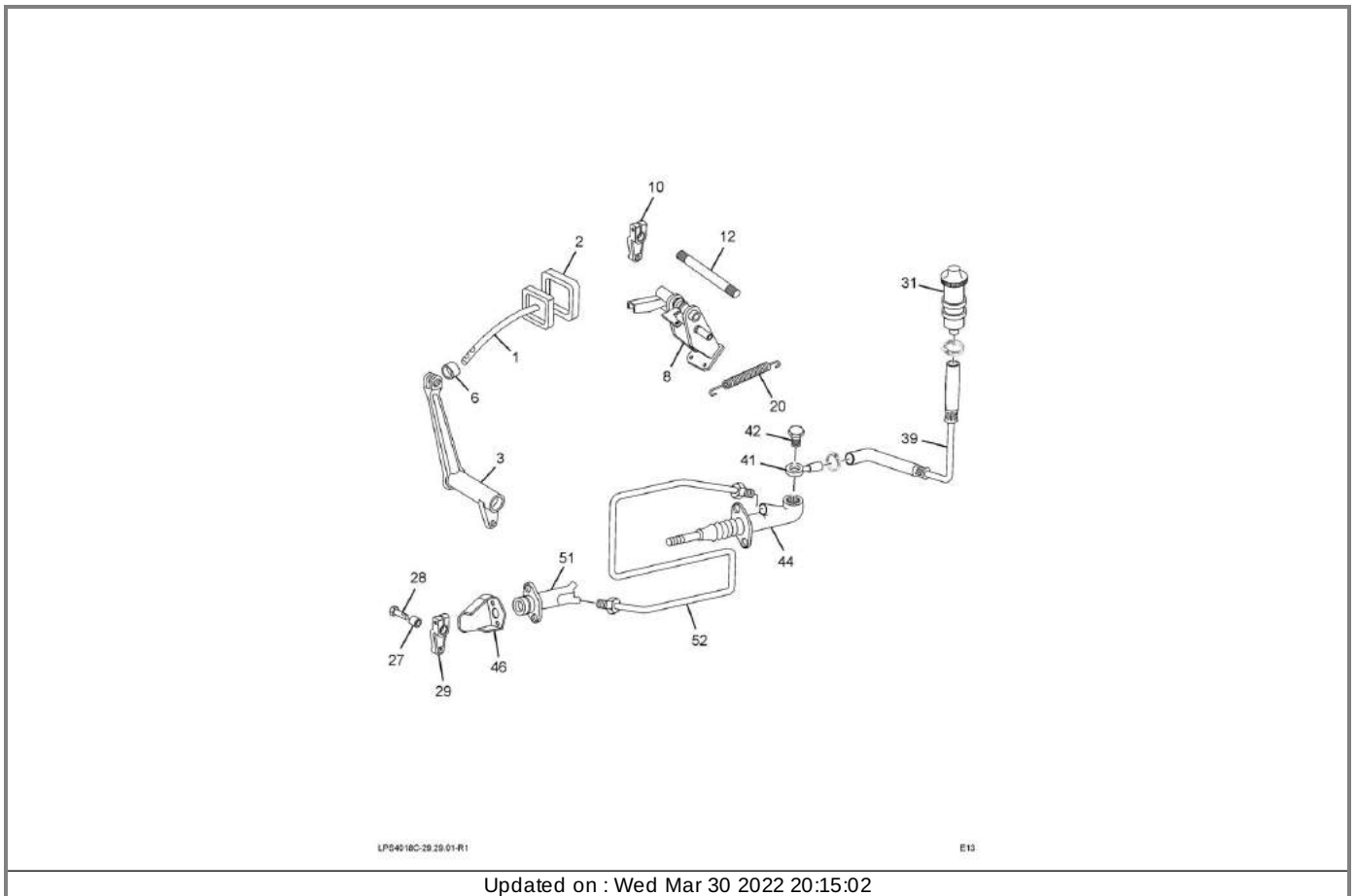
LP54018C-29.29.01-R1

E13

Updated on : Wed Mar 30 2022 20:15:02

VC No : 21715238000R Group : (29) CONTROLS Table : (2841093229R.01-PEDALS(WITH SLAVE CYLINDER))

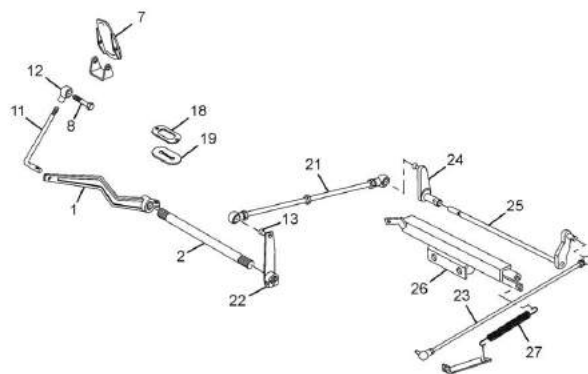
Fig.	Part No	Part Description	Qty	Remarks
-	-----	CIRCLIP	1	
-	-----	CLIP	1	
-	-----	PISTON	1	
-	-----	SEAL	1	
-	-----	PISTON SEAL	1	
-	-----	RUBBER BELLOW	1	
-	-----	O RING	1	
-	-----	GREASE TUBE	1	
	265429100156	REPAIR KIT MINOR SLAVE CYLINDER,CONSISTS OF :	1	
-	-----	CIRCLIP	1	
-	-----	CLIP	1	
-	-----	SEAL	1	
-	-----	PISTON SEAL	1	
-	-----	RUBBER BELLOW	1	
-	-----	O RING	1	
-	-----	GREASE TUBE	1	
	269929100293	MAJOR KIT	1	
	-----	PLUNGER ASSY	1	
	-----	DUST COVER	1	
	-----	CRIMPING SLEEVE	1	
	-----	CIRCLIP	1	
	-----	GREASE TUBE	1	
	269929100294	MINOR REPAIR KIT AL.MASTER CYLINDER,CONSISTS OF:	1	
	-----	DUST COVER	1	
	-----	CRIMPING SLEEVE	1	



Updated on : Wed Mar 30 2022 20:15:02

VC No : 21715238000R Group : (30) ACCELERATOR Table : (2171473830R.01-ACCELERATOR CONTROL)

Fig.	Part No	Part Description	Qty	Remarks
1	284130100103	ASSY LEVER ACCELERATOR PEDAL	1	
2	260830107903	SHAFT ACCELERATOR PEDAL	1	
7	257630103804	ACCELERATOR PEDAL	1	
	275130100122	STOPPER ASSY	1	
	269630107703	RUBBER CAP (FOR ACCELERATOR STOPPER)	1	
8	257630106705	PIN	1	
11	275030100129	ASSY THRUST ROD	1	
12	17271201001	BALL END B 10	1	
13	17271601000	BALL PIN C 10	1	
18	257681508204	RETAINING PLATE	1	
19	257681506305	RUBBER PAD	1	
21	275130100125	ASSY PULL ROD (922 MM LONG)	1	
22	284130100102	ASSY ACCELERATOR LEVER	1	
23	276830100107	ASSY PULL ROD (760 MM LONG)	1	
24	275130100104	ASSY LEVER	1	
25	217130100103	ASSY CONTROL SHAFT	1	FROM APR09
25	275130100114	ASSY CONTROL SHAFT	1	UPTO MAR09
26	275130100128	ASSY BRACKET	1	
27	3229930310	RETURN SPRING	1	



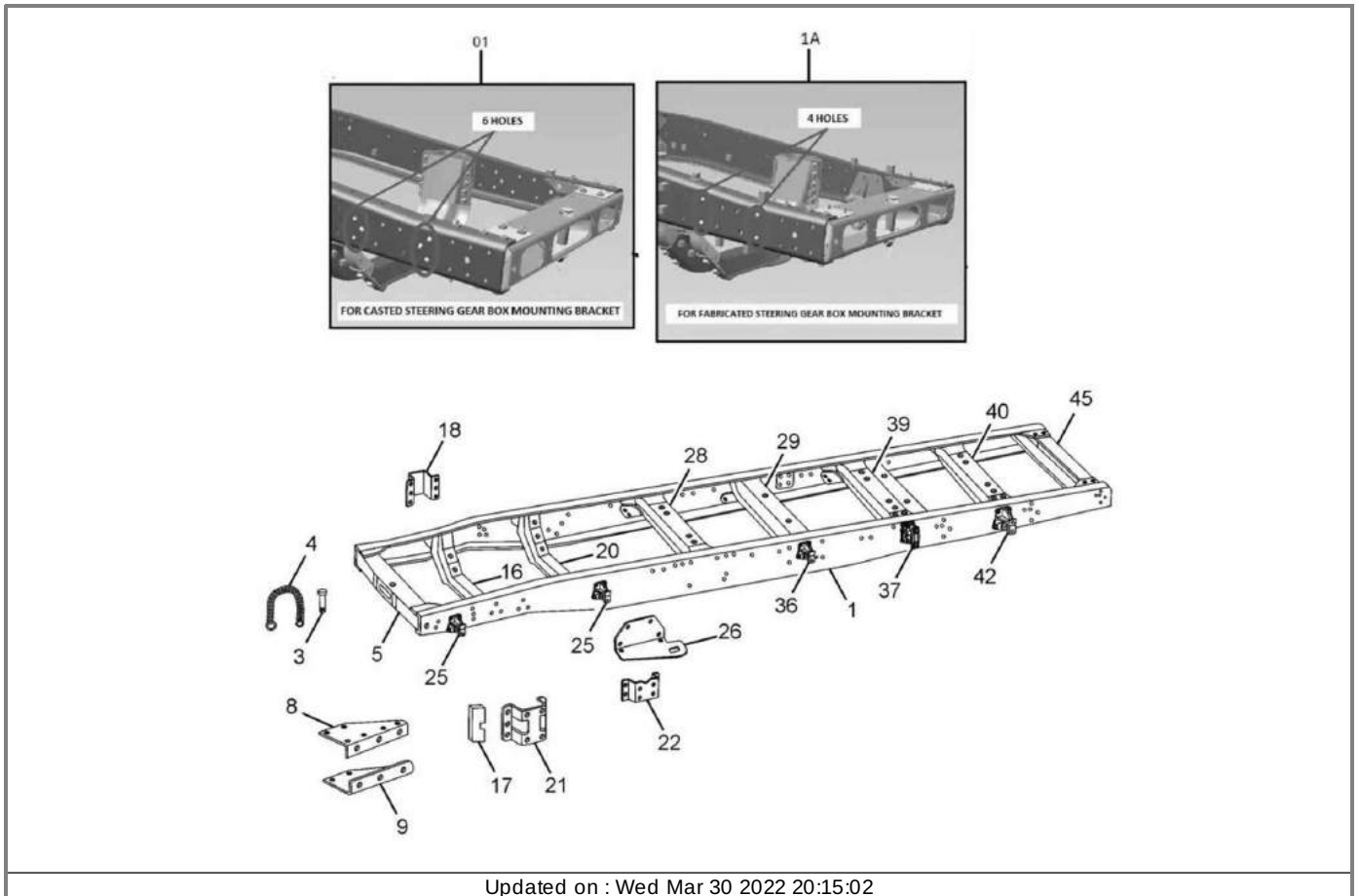
LP54018C-30-30-01

808

Updated on : Wed Mar 30 2022 20:15:02

VC No : 21715238000R Group : (31) FRAME Table : (2167013831R.01-FRAME)

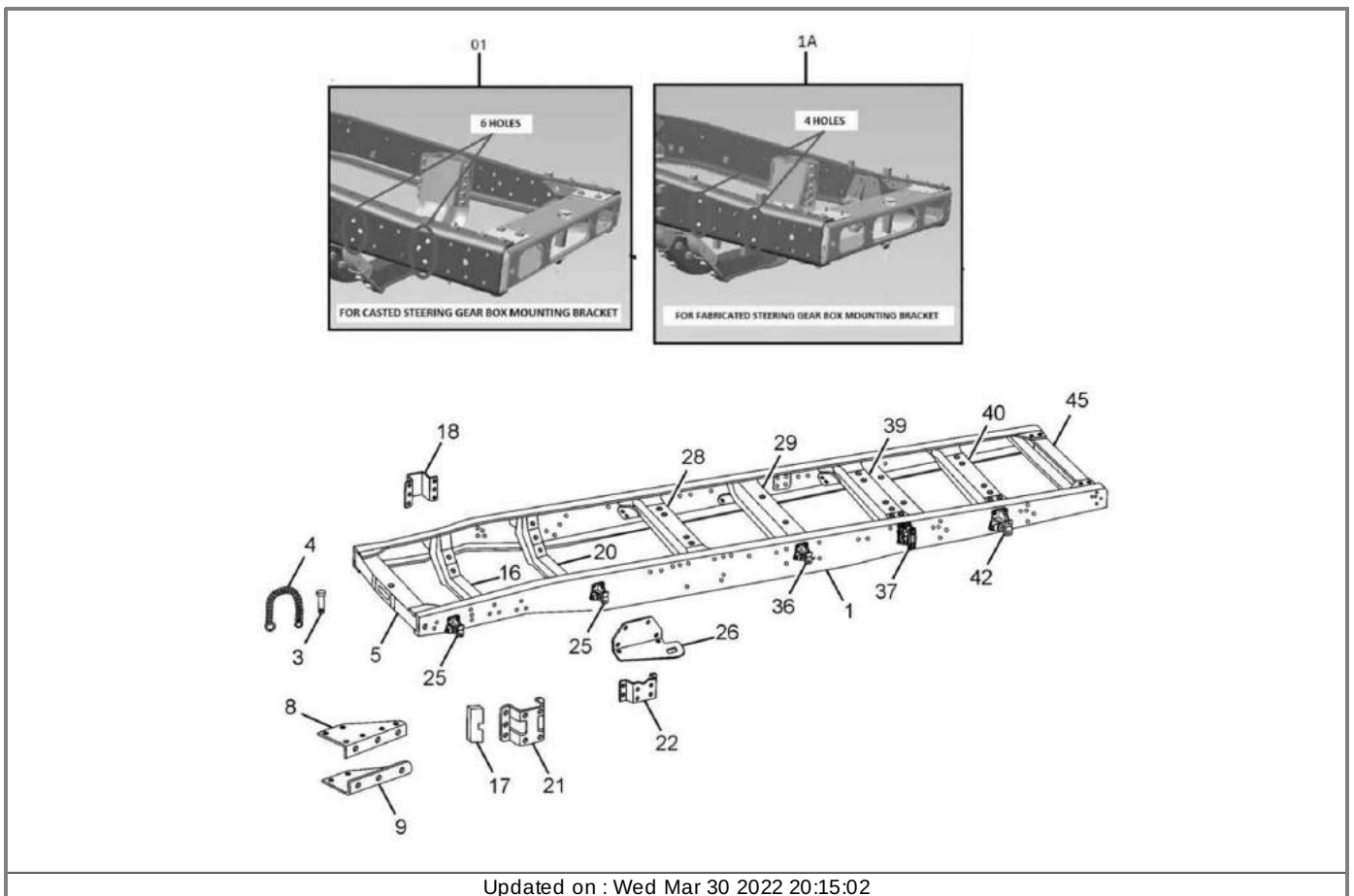
Fig.	Part No	Part Description	Qty	Remarks
1	216731000117	ASSY. FRAME WITH FITMENT BS1/2/3/4	1	NEW - FOR CAST STEERING GEAR B
1	216731000145	ASSY. FRAME 2518 (FAB 4 HOLE BRKT) BS3/4	1	(OLD - FOR FABRICATED STEERING
	217131308201	SPACER PLATE - FRONT SPR BKT REAR	2	
	216731307101	REINFORCEMENT-RH (FRONT SPR BKT)	1	
	216731307102	REINFORCEMENT-LH (FRONT SPR BKT)	1	
3	257631506701	COUPLING PIN	1	
4	3043100207	ASSY CHAIN WITH RING & LOCKING HOOK	1	
5	284131200101	ASSY. BUMPER CROSS MEMBER BS1/2/3/4	1	
8	217131308203	GUSSET TOP RH (BUMPER CROSS MEMBER)	2	
9	217131308204	GUSSET TOP LH (BUMPER CROSS MEMBER)	2	
16	216731200104	ASSY. ENG. CROSS MEMBER(FRONT) BS1/2/3/4	1	
	216731207105	STIFFENER (2ND C.M)	2	
17	257631208211	TABLE PACKING PLATE	AR	
17	257631208212	PACKING PLATE 1.5 THK	AR	
	216731208601	SPACER PLATE (2ND C.M)	4	
18	276831207109	SPACER PLATE (ENG.C.M.FRONT & REAR)	4	
20	208031200101	ASSY ENGINE CROSS MEMBER-(REAR)	1	
21	216731200101	ASSY SUPPORT-RH(2ND C.M)	1	
21	216731200102	ASSY SUPPORT-LH (2ND C.M)	1	
22	216731200103	ASSY SUPPORT (3RD C.M)	2	
	216731207106	STIFFENER (3RD C.M)	2	
25	257632103304	SPRING BRACKET - FRONT	4	
	3409900201	BOLT (M14X1.5X45)	16	
26	276831200109	ASSY REINFORCEMENT RH(FRT SPR BRACKET)	1	
26	276831200110	ASSY REINFORCEMENT LH(FRT SPR BKT)	1	



Updated on : Wed Mar 30 2022 20:15:02

VC No : 21715238000R Group : (31) FRAME Table : (2167013831R.01-FRAME)

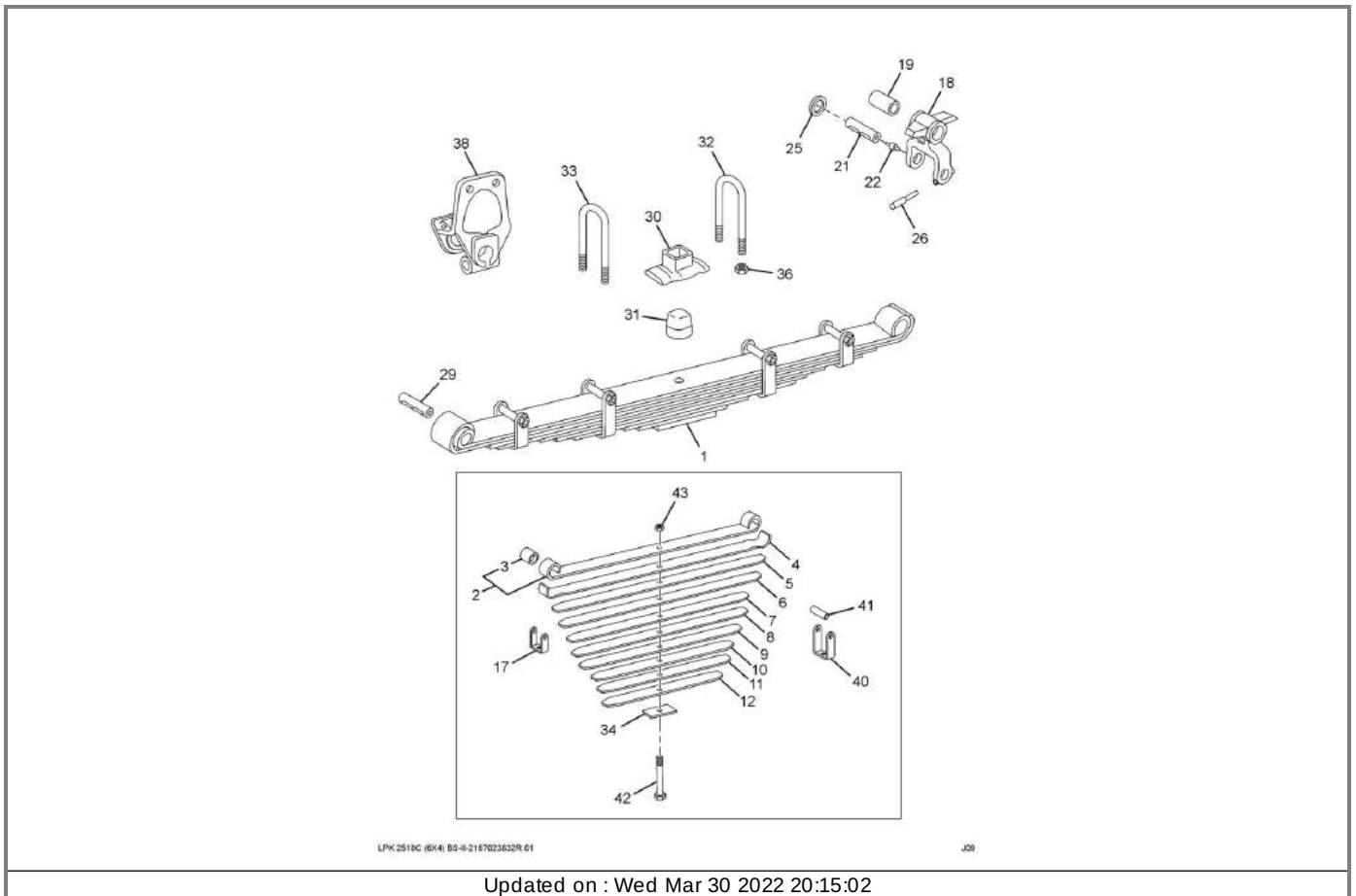
Fig.	Part No	Part Description	Qty	Remarks
28	217131200113	ASSY 4TH CROSS-MEMBER(BRIZE)WITH GUSSET	1	FOR SELECTION
28	217131207110	CROSS-MEMBER (BRIDGE) W/O GUSSET	1	FOR SELECTION
	217131207112	SUPPORT - RH (4TH CROSS-MBR)	1	
	217131207118	SUPPORT - LH (4TH CROSS-MBR)	1	
29	217131200114	ASSY 5TH CROSS-MEMBER(BRIZE) WITH GUSSET	1	FOR SELECTION
29	217131207110	CROSS-MEMBER (BRIDGE) W/O GUSSET	1	FOR SELECTION
	217131207115	SUPPORT - (REAR SPR-FRONT)	2	
36	278232403301	REAR SPRING BRACKET (FRONT)	2	
	217131703201	THREADED PIN	36	
37	217132403304	SPRING BRACKET CENTRE BS1/2/3/4	2	
39	217131200121	ASSY 6TH CROSS-MEMBER WITH SUPPORT	1	FOR SELECTION
39	217131207109	CROSS-MEMBER (C-SECTION) W/O SUPPORT	2	FOR SELECTION
	217131207111	SUPPORT - (DOUBLE CROSS-MBR)	1	
	217131207132	SUPPORT (DOUBLE CROSS-MEMBER)-LH	1	
40	217131200122	ASSY 7TH CROSS-MEMBER WITH SUPPORT	1	FOR SELECTION
40	217131207109	CROSS-MEMBER (C-SECTION) W/O SUPPORT	1	FOR SELECTION
	217131207116	SUPPORT - RH (REAR SPR-REAR)	1	
	217131207117	SUPPORT - LH (REAR SPR-REAR)	1	
42	217132403301	SPRING BRACKET-REAR	2	
45	216731207119	END CROSS-MEMBER	1	
	217131207114	SUPPORT - (END CROSS-MEMBER)	2	
	-----	NOISE SHIELD		
	217131700107	ASSY ENG SHIELD - BOTTOM	1	
	216731700107	ASSY MTG. BRACKET(ENG. SHIELD BOTTOM)	1	
	216731700103	ASSY NOISE SHIELD - TOP (GEAR BOX)	1	



Updated on : Wed Mar 30 2022 20:15:02

VC No : 21715238000R Group : (32) SUSPENSION Table : (2167023832R.01-FRONT SPRING AND SUSPENSION)

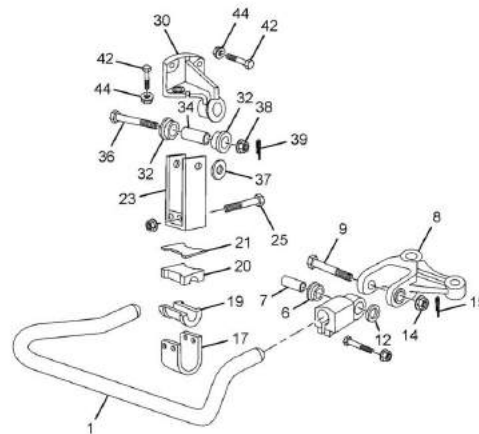
Fig.	Part No	Part Description	Qty	Remarks
1	222232100102	ASSY. LEAF SPRING FRONT BS1/2/3/4	2	
2	222232100103	ASSY. FIRST LEAF W/BUSH BS1/2/3/4	2	
3	257632103401	SPRING BUSH(FRONT-BI-METALLIC)	4	
4	222232107102	SECOND LEAF	2	
5	222232107103	THIRD LEAF	2	
6	222232107104	FOURTH LEAF	2	
7	222232107105	FIFTH LEAF	2	
8	222232107106	SIXTH LEAF	2	
9	222232107107	SEVENTH LEAF	2	
10	222232107108	EIGHTH LEAF	2	
11	222232107109	PACKING PLATE	2	
12	284132107110	PACKING PLATE	2	
17	207332104203	SPRING CLIP	4	
40	207332104204	SPRING CLIP	4	
41	263232108603	SPACER (LEAF SPRING CLIP)	8	
42	278232103202	CENTER BOLT	2	
43	12052296054	HEX NUT M12	2	
18	217132100106	ASSY SPRING SHACKLE FRONT SPRING	2	
19	257632103401	SPRING BUSH (BI - METALLIC)	2	
21	257632106702	SPRING PIN	6	
22	17170601009	GREASE NIPPLE AM10X1	6	
25	257332400119	SEALING RING ASSY	12	
26	0429900037J	COTTER PIN BS1/2/3/4/6	6	
29	257632106702	SPRING PIN	2	
30	257632203701	GUIDE PLATE	2	



Updated on : Wed Mar 30 2022 20:15:02

VC No : 21715238000R Group : (32) SUSPENSION Table : (2167023832R.03-ANTI ROLL BAR FRONT)

Fig.	Part No	Part Description	Qty	Remarks
1	257632800131	SUB ASSY. FRONT ANTIROLL BAR BS1/2/3/4	1	OPTIONAL
6	257632807502	RUBBER BUSH	4	
7	257632808402	SLEEVE	2	
8	206032803305	BRACKET RH	1	
8	206032803306	BRACKET LH	1	
9	264032906702	MOUNTING PIN	2	
12	257632808306	SHIM	AR	
12	257632808307	SHIM	AR	
14	12140698014	NUT M 20X1.5	2	
15	13150609369	SPLIT PIN 4X36	2	
17	257632807103	CLAMP	2	
19	257632803402	BUSH HALF (BOTTOM)	2	
20	257632803403	BUSH HALF (TOP)	2	
21	257632808302	SHIM 2 mm	AR	
21	257632808303	SHIM 1 mm	AR	
21	257632808304	SHIM 0.5 mm	AR	
23	257632800112	ASSY CONNECTING LINK	2	
25	11063896251	HEX BOLT M10X85 TS17100-8.8 SS8451-8C	4	
30	206032803303	BRACKET (FOR ANTIROLL BAR MOUNTING)	2	
32	257632807501	RUBBER BUSH BS1/2/3/4/6	4	
34	257632808401	SLEEVE	2	
36	257632806703	MOUNTING PIN	2	
37	12460502100	BRIGHT WASHER 21 ST	2	
38	12102202005	CASTLE NUT M 20X1.5	2	
39	13150609369	SPLIT PIN 4X36	2	



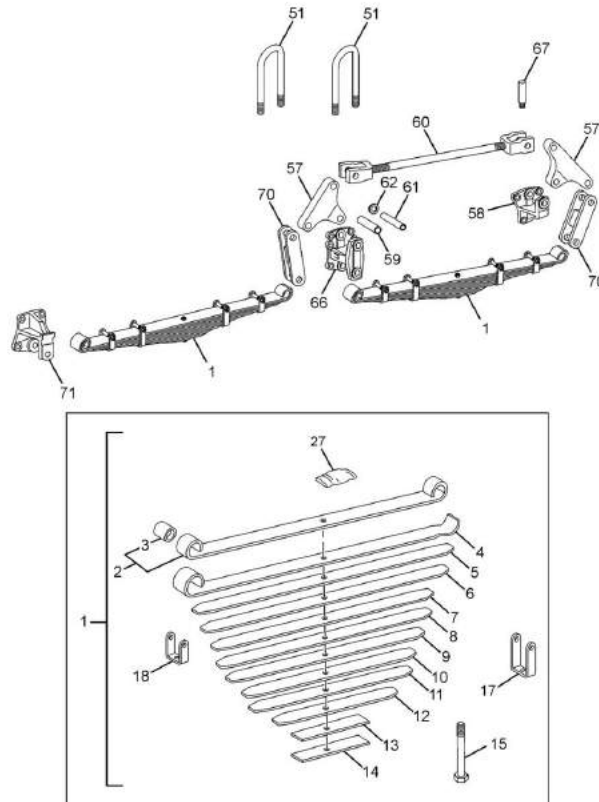
LPK2516C-32-32-03-R2

D13

Updated on : Wed Mar 30 2022 20:15:02

VC No : 21715238000R Group : (32) SUSPENSION Table : (2167023832R.04-REAR SPRING AND SUSPENSION)

Fig.	Part No	Part Description	Qty	Remarks
1	217132400104	ASSY REAR SPRING	4	FROM JUNE09
	217132400101	ASSY. REAR SPRING BS2/3/4/6	4	UPTO MAY09
2	217132400106	ASSY. FIRST LEAF W/BUSHES BS1/2/3	4	FROM JUNE09
3	278232403402	SPRING BUSH (BI - METALLIC) BS1/2/3/4/6	8	FROM JUNE09
4	217132407103	SECOND LEAF	4	FROM JUNE09
5	217132407104	THIRD LEAF	4	FROM JUNE09
6	217132407105	FOURTH LEAF	4	FROM JUNE09
7	217132407119	LEAF.NO.5	4	FROM JUNE09
8	217132407120	LEAF.NO.6	4	FROM JUNE09
9	217132407121	LEAF.NO.7	4	FROM JUNE09
10	217132407122	LEAF.NO.8	4	FROM JUNE09
11	217132407123	LEAF.NO.9	4	FROM JUNE09
12	217132407124	LEAF.NO.10	4	FROM JUNE09
13	217132407125	LEAF.NO.11	4	FROM JUNE09
14	217132407101	REBOUND LEAF	4	FROM JUNE09
15	217132403201	CENTRE BOLT	8	FROM JUNE09
17	217132404204	SPRING CLIP	8	FROM JUNE09
18	217132404205	SPRING CLIP	8	FROM JUNE09
	217132407126	PACKING PLATE	4	FROM JUNE09
27	278232503702	GUIDE PLATE (CASTING)	4	
51	278232404210	U CLAMP	8	FROM JUNE09
51	216732404201	U-CLAMP	8	UPTO MAY09
	217132508602	SPACER (U CLAMP)	16	UPTO MAY09
	263232506501	NUT	8	
57	261732400103	ASSY. LEVER BS1/2/3/4	4	



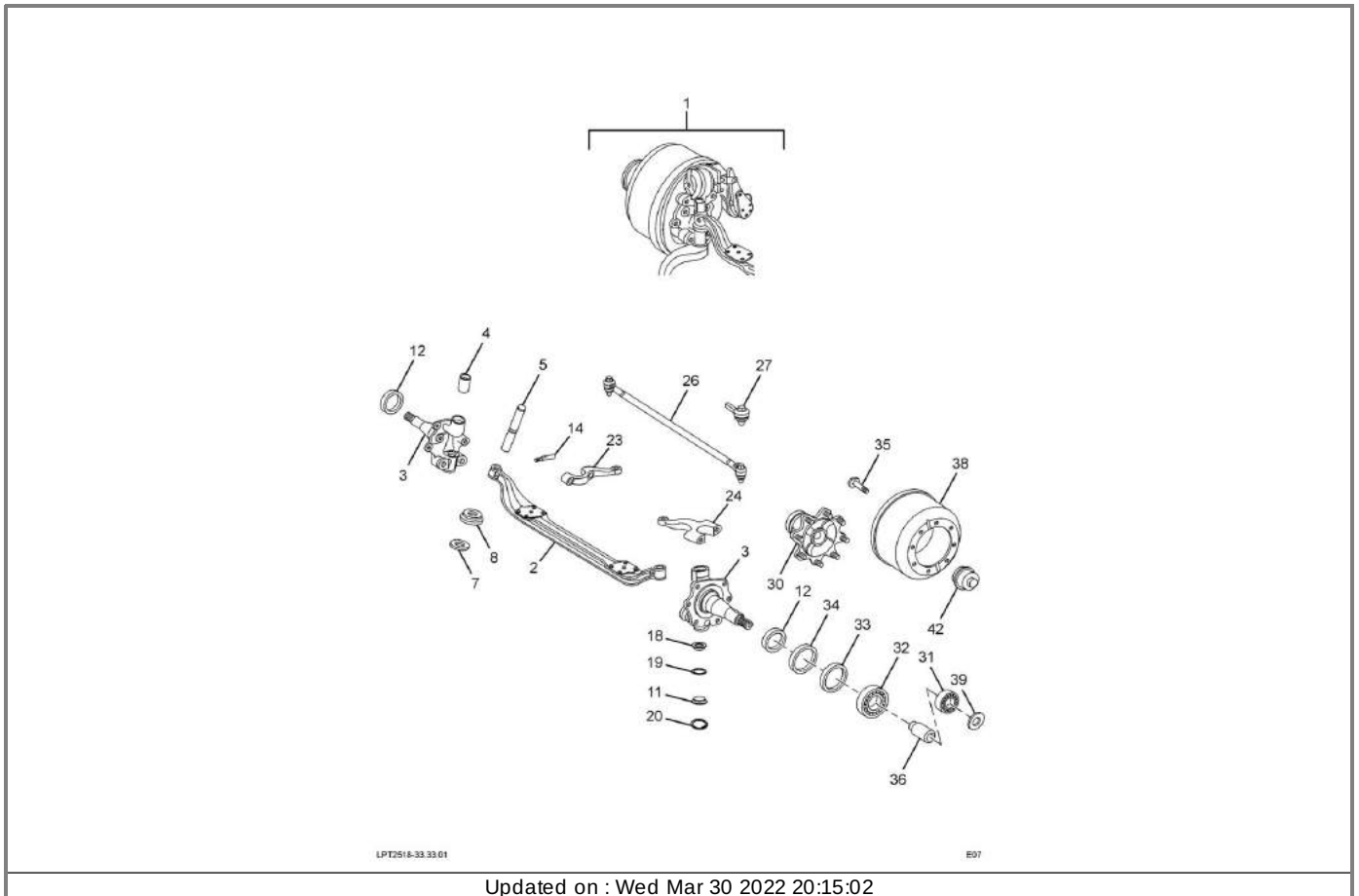
LPK 2516C (BX4) BS-II-2167023832R.04

309

Updated on : Wed Mar 30 2022 20:15:02

VC No : 21715238000R Group : (33) FRONT AXLE Table : (2167023833R.01-FRONT AXLE)

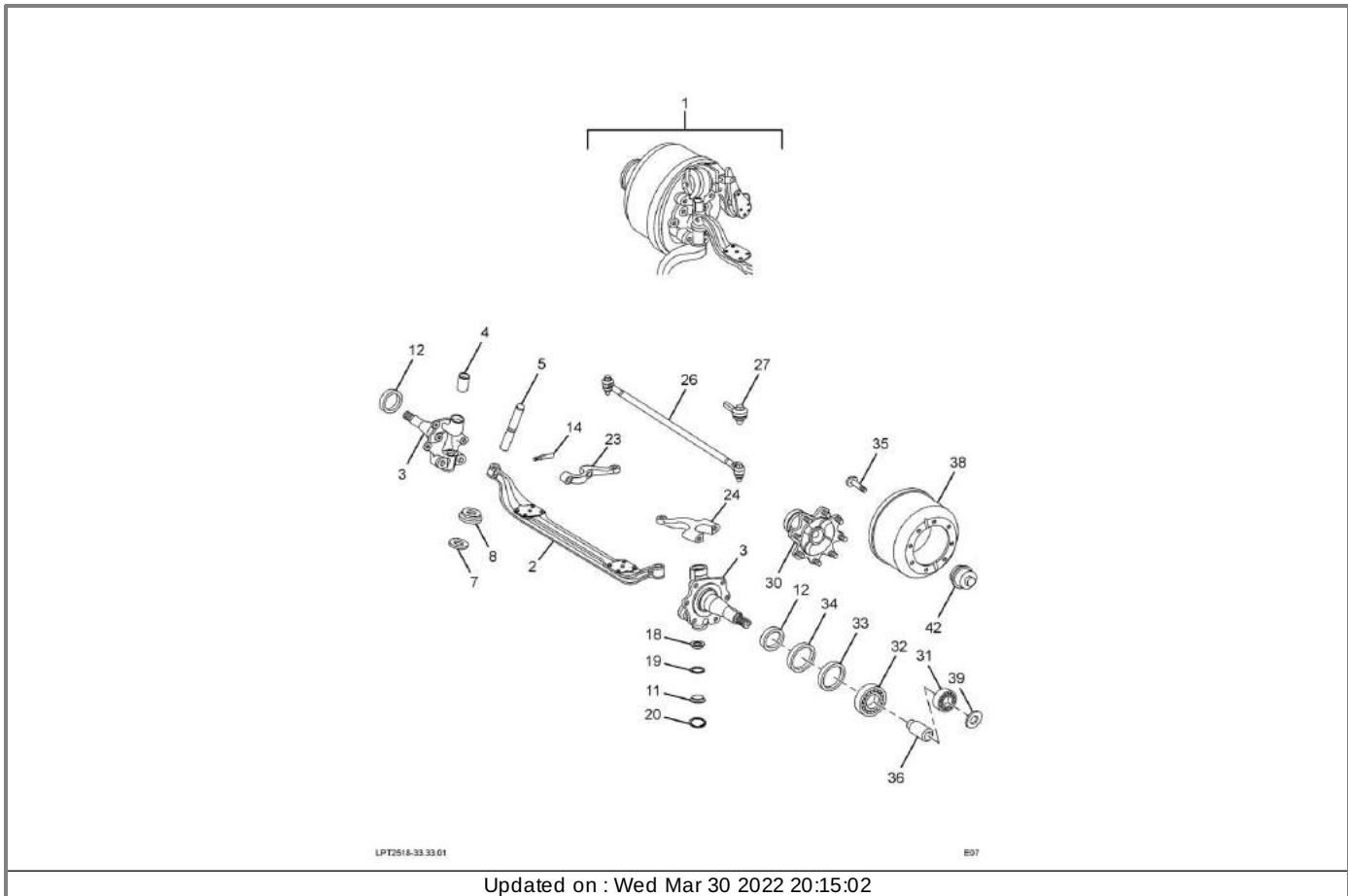
Fig.	Part No	Part Description	Qty	Remarks
1	209133000101	ASSY FRONT AXLE COMPLETE WITH BRAKES	1	
2	257633105110	FRONT AXLE BEAM STD BS1/2/3/4	1	
3	257533200125	STUB AXLE STD BS1/2/3/4	2	
4	257533203401	BUSH KING PIN BS1/2/3/4	4	
5	257633206709	KING PIN STD BS1/2/3/4	2	
	257533209203	THRUST WASHER UPPER NORMAL BS2/3/4	1	
7	257533209207	THRUST WASHER LOWER STD BS1/2/3/4/6	1	
8	284633203101	TAPER ROLLER THRU BRG. NORMAL BS1/2/3/4	1	
	263233100105	PLUG (STUB AXLE-TOP)	2	
11	257533206301	DUST CAP(STUB AXLE)	2	
12	257633208601	SPACER	2	
	257633209212	THRUST WASHER	AR	
	257633209215	THRUST WASHER	AR	
	257633209216	THRUST WASHER	AR	
	257633209217	THRUST WASHER	AR	
	257633209218	THRUST WASHER	AR	
	257633209219	THRUST WASHER	AR	
	257633209220	THRUST WASHER	AR	
	257633209221	THRUST WASHER	AR	
	257633209222	THRUST WASHER	AR	
14	257633206707	COTTER PIN (KING PIN TO STUB AXLE)	2	70MM COTTER PIN
18	257633208202	SEALING CAP (STUB AXLE)	4	
19	257633207702	GASKET RING	2	
20	14580605002	INTERNAL CIRCLIP 50X2N	4	
23	257633805104	STEERING ARM LH BS1/2/3/4	1	



Updated on : Wed Mar 30 2022 20:15:02

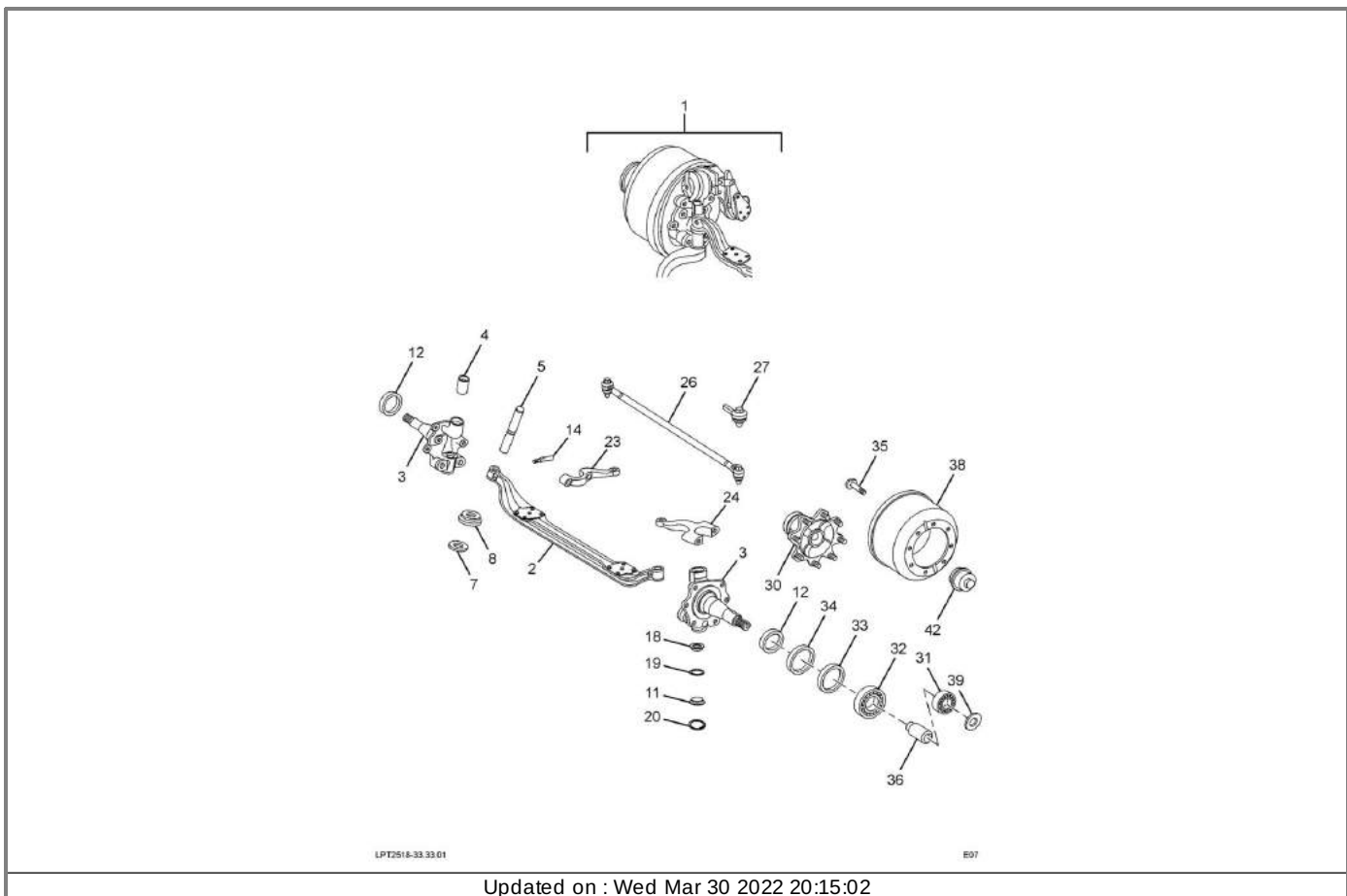
VC No : 21715238000R Group : (33) FRONT AXLE Table : (2167023833R.01-FRONT AXLE)

Fig.	Part No	Part Description	Qty	Remarks
23	257633805106	STEERING ARM RH BS1/2/3/4	1	
24	257633805107	STEERING ARM (TOP) BS1/2/3/4	1	
26	284633800112	ASSY. TIE ROD-FRONT AXLE BS1/2/3/4	1	
27	0003382629	ASSY. BALL JOINT LH BS1/2/3/4	1	
27	0003383429	ASSY. BALL JOINT RH BS1/2/3/4	1	
30	263133400101	ASSY WHEEL HUB,FRONT WITH HUB BOLT AND BEARINGS	2	FOR SELECTION
30	263133400108	ASSY WHEEL HUB,FRONT WITH HUB BOLT AND W/O BEARINGS	2	FOR SELECTION
31	257633403103	TAPER ROLLER BRG. 32308 BS1/2/3/4	2	
32	257633403101	TAPER ROLLER BRG. 565/562 BS1/2/3/4	2	
33	257633408601	SPACER	2	
34	257633407801	OIL SEAL FRONT HUB BS1/2/3/4	2	
35	263140106701	HUB BOLT FRONT M22 BS1/2/3/4/6	20	
36	503033408601	SPACER TUBE	2	
	257433408304	SHIM 1.0 THK	AR	
	257433408305	SHIM 0.5 THK	AR	
	257433408306	SHIM 0.3 THK	AR	
	257433408307	SHIM 0.1 THK	AR	
38	263142103701	BRAKE DRUM SPIGOTTED. BS1/2/3/4	2	
39	257533409201	THRUST WASHER BS1/2/3/4	2	
42	257333403703	FRONT HUB COVER	2	
	282133209202	WASHER	1	
	-----	REPAIR KITS		
	0003300003J	REPAIR KIT-TIE ROD BS1/2/3/4	1	
	-----	UPPER BALL CUP	2	
	-----	LOWER BALL CUP	2	

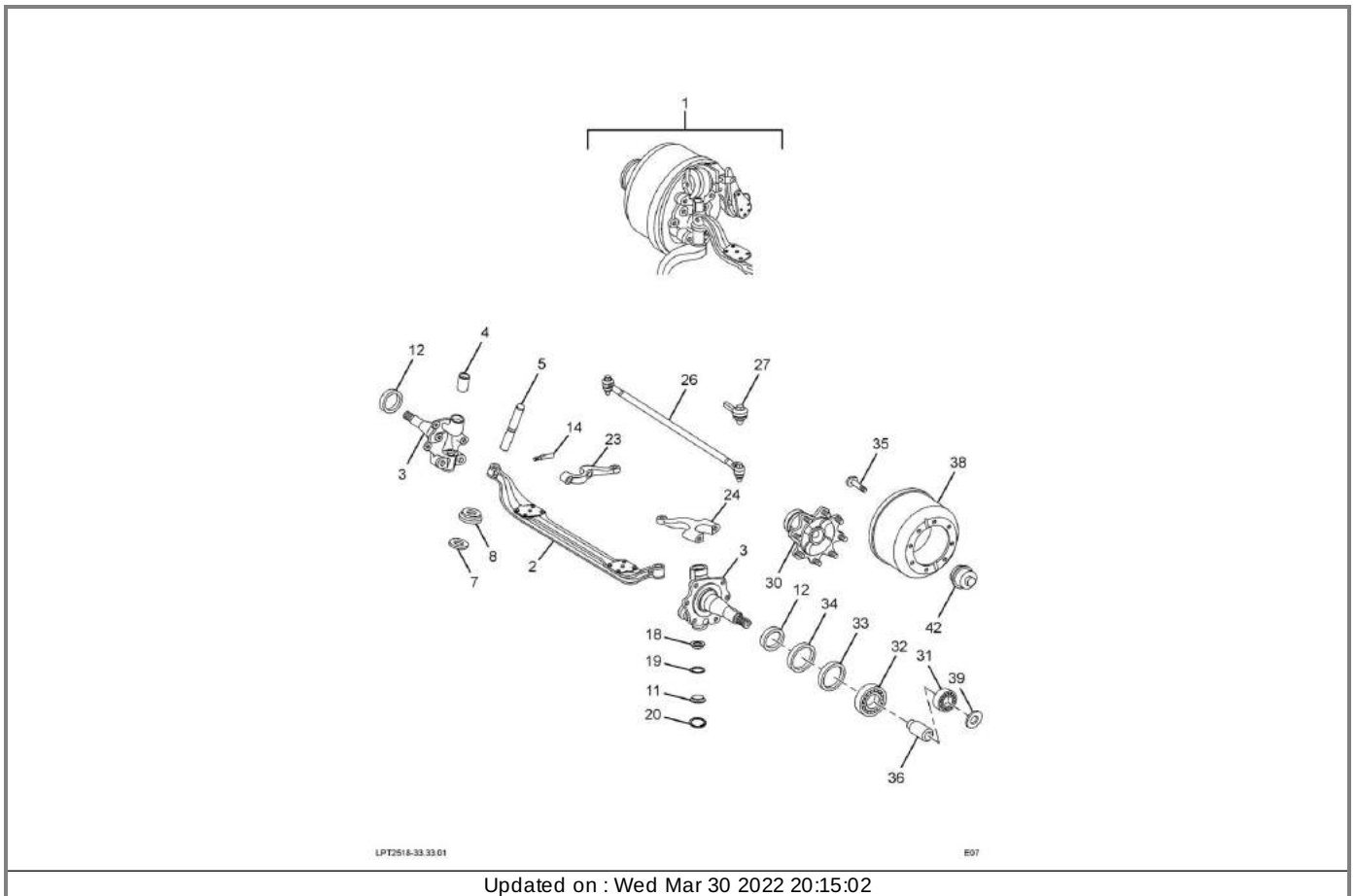


Updated on : Wed Mar 30 2022 20:15:02

VC No : 21715238000R Group : (33) FRONT AXLE Table : (2167023833R.01-FRONT AXLE)				
Fig.	Part No	Part Description	Qty	Remarks
	-----	PRESSURE SPRING	2	
	-----	LOCKING RING	2	
	-----	SPHERICAL PIN	2	
	-----	CASTLE NUT	2	
	-----	SEAL CAP	2	
	-----	THRUST WASHER (BRASS)	2	
	-----	THRUST WASHER (STEEL)	2	
	885433161612	KIT KING PIN W/O BRG T/W BS1/2/3/4	1	
	-----	CONSISTS OF :		
	-----	KING PIN STD	2	
	-----	KING PIN BUSH	4	
	885433011612	MAJOR KIT-KING PIN & BUSH-RS1 BS1/2/3/4	1	
	-----	CONSISTS OF :		
	-----	KING PIN O/S I	2	
	-----	KING PIN BUSH	4	
	-----	MINOR KIT	1	
	885433021612	KING PIN REPAIR KIT WITH MINOR KIT & BUSH O/S II (38.45MM)	1	
	-----	CONSISTS OF :		
	-----	KING PIN O/S II	2	
	-----	KING PIN BUSH	4	
	-----	MINOR KIT	1	
	885433031612	KING PIN REPAIR KIT WITH MINOR KIT & BUSH O/S III (38.55MM)	1	
	-----	CONSISTS OF :		
	-----	KING PIN O/S III	2	
	-----	KING PIN BUSH	4	

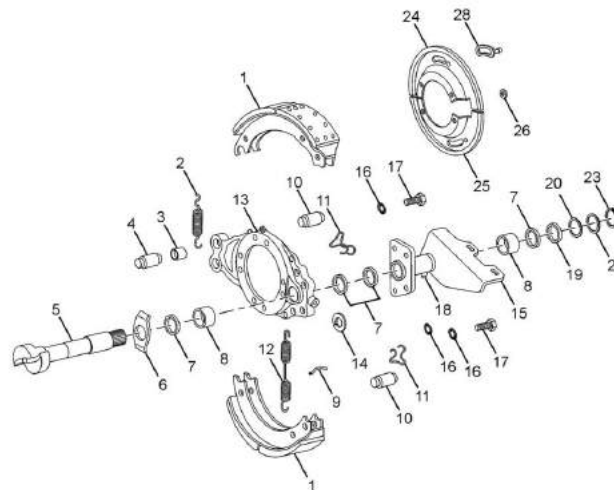


VC No : 2171523800R Group : (33) FRONT AXLE Table : (2167023833R.01-FRONT AXLE)				
Fig.	Part No	Part Description	Qty	Remarks
	-----	MINOR KIT	1	
	885433041612	KING PIN REPAIR KIT WITH MINOR KIT & W/O BUSH STD	1	
	-----	(38.25MM) CONSISTS OF :		
	-----	KING PIN STD	1	
	-----	MINOR KIT	1	
	885433051612	KING PIN REPAIR KIT WITH MINOR KIT & W/O BUSH O/S I	1	
	-----	(38.35MM) CONSISTS OF :		
	-----	KING PIN O/S I	1	
	-----	MINOR KIT	1	
	885433061612	KING PIN REPAIR KIT WITH MINOR KIT & W/O BUSH O/S II	1	
	-----	(38.45MM) CONSISTS OF :		
	-----	KING PIN O/S II	1	
	-----	MINOR KIT	1	
	885433071612	KING PIN REPAIR KIT WITH MINOR KIT & W/O BUSH O/S III	1	
	-----	(38.55MM) CONSISTS OF :		
	-----	KING PIN O/S III	1	
	-----	MINOR KIT	1	
	885433081612	MINOR KIT-KING PIN 1612 BS1/2/3/4	1	
	-----	COTTER BOLT	2	
	-----	O RING	4	
	-----	CIRCLIP B-50	4	
	-----	SEALING CAP	4	
	-----	HEX NUT M 8	2	
	-----	SPRING WASHER	2	
	-----	GREASE NIPPLE	4	



VC No : 21715238000R Group : (33) FRONT AXLE Table : (2167023833R.02-FRONT WHEEL BRAKE (M/S. AAL))

Fig.	Part No	Part Description	Qty	Remarks
	263242100153	ASSY FRONT AXLE BRAKE RH WITH DUST COVER	1	
	288342100174	F/A BRK W/DC-LH 410X160	1	
1	284642100233	BRAKE SHOE W/LINING & ROLLER BS1/2/3/4	4	
2	257342108708	SPRING (BRAKE SHOE RETURN)	4	
3	257342103401	BUSH (ANCHOR PIN)	2	
4	257342106723	ANCHOR PIN (BRAKE SHOE)	2	
5	261842107902	CAMSHAFT LH	1	
5	261842107901	CAMSHAFT RH	1	
6	257342109211	WASHER (CAM HEAD)	2	
7	257342107701	SEAL (CAMSHAFT)	2	
8	257342103402	BUSH (CAMSHAFT)	4	
9	257342103403	PIN	4	
10	257342107903	ROLLER (BRAKE SHOE)	4	
11	257342104301	RETAINER (BRAKE SHOE ROLLER)	4	
12	257342108703	SPRING BRAKE SHOE RETURN BS1/2/3/4	2	
13	257342100180	SPIDER BRAKE LH	1	
13	257342100181	SPIDER BRAKE RH	1	
14	257342105301	GASKET (CHAMBER BRACKET)	1	
15	257342103301	BRACKET LH	1	
15	257342103302	BRACKET RH	1	
16	257342109204	WASHER (BRACKET FOR CAP SCREW)	4	
18	257342109901	FITTING GREASE (CHAMBER BRACKET)	1	
19	261842109202	WASHER	2	
20	261842109203	WASHER	2	
21	261842109204	WASHER (HARDENED)	2	



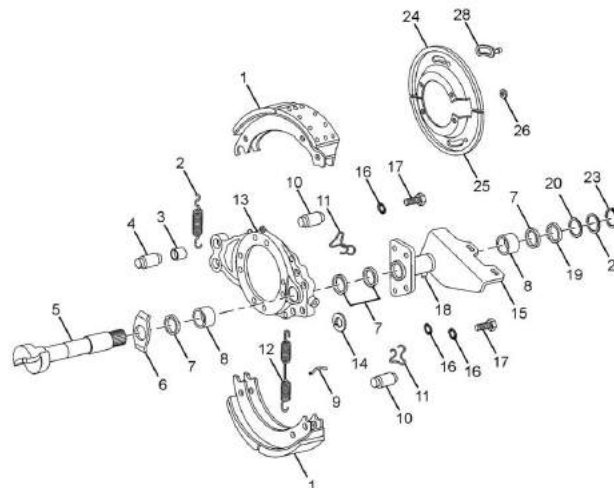
LPT1918C-42-42-02

A08

Updated on : Wed Mar 30 2022 20:15:02

VC No : 21715238000R Group : (33) FRONT AXLE Table : (2167023833R.02-FRONT WHEEL BRAKE (M/S. AAL))

Fig.	Part No	Part Description	Qty	Remarks
23	261842104301	LOCK RING	2	
24	257342108207	DUST SHIELD TOP	2	
25	257342108208	DUST SHIELD BOTTOM	1	
26	257342109208	WASHER	12	
28	257342106802	PLUG	4	
	257342106720	COLLARED PIN	4	
	257342103206	BOLT	4	
	257642106501	CASTLE NUT	4	
	13150609369	SPLIT PIN AX36	12	
	-----	REPAIR KITS		
	257342100183	FRONT BRAKE OVERHAUL KIT (MINOR)	1	
	-----	CONSISTS OF :		
	-----	BRAKE LINING	8	
	-----	RETAINING SPRING	4	
	-----	RETURN SPRING	2	
	-----	ROLLER	4	
	-----	RETAINER	4	
	-----	RIVETS	80	
	257342100148	SERVICE KIT (MINOR) FRONT	1	
	-----	CONSISTS OF :		
	-----	SPRING (RETAINING)	4	
	-----	SPRING (RETURN)	2	
	-----	ROLLER (BRAKE SHOE)	4	
	-----	RETAINER	4	
	-----	PIN (RETURN SPRING)	4	



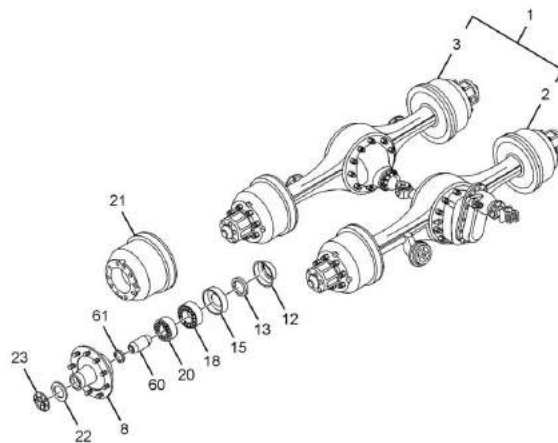
LPT1918C-42-42-02

A08

Updated on : Wed Mar 30 2022 20:15:02

VC No : 21715238000R Group : (35) REAR AXLE Table : (2725031835R.01-REAR AXLE (TANDEM BOGIE AXLE))

Fig.	Part No	Part Description	Qty	Remarks
1	272535000198	ASSY MERITOR BOGIE AXLE COMPLETE (MT26-108NX-6.83)	1	
2	272535000201	ASSY BOGIE AXLE REAR FWD.(MT26-108NX)W/O HUB,BRAKE	1	
3	272535000203	ASSY BOGIE AXLE REAR RWD.(MT26-108NX)W/O HUB,BRAKE	1	
	266835108601	PRESSURE RING	4	
8	273235600102	ASSY. REAR HUB (BIGGER BRG.)109 RR BS1-6	4	FOR SELECTION
8	273235600103	ASSY. REAR HUB (W/O BRG/SEAL) BS1/2/3/4/6	4	FOR SELECTION
	263140206701	HUB BOLT REAR- M22 BS1/2/3/4	40	
12	273235608201	OIL CATCHER,ABS	4	
13	273235607711	OIL SEAL (135X170X15) BS1/2/3/4/6	4	
	273235607712	OIL SEAL (125X150X12) BS1/2/3/4/6	4	
15	266835608601	SPACER RING (HUB OUTER SEAL)	4	
18	266835603101	TAPER ROLLER BRG. INNER 683/72 BS1/2/3/4	4	
20	266835603102	TAPER ROLLER BRG. OUTER 32217 BS1/2/3/4	4	
21	263142103701	BRAKE DRUM SPIGOTTED. BS1/2/3/4	4	
23	266835600105	ASSY HUB COVER (BIGGER HUB)	4	NOT SERVICED
23	266835604701	COVER,REAR HUB	4	FOR SELECTION
22	266835605301	GASKET REAR HUB BS1/2/3/4	4	
60	266835608603	SPACER TUBE (BETWEEN HUB BRGS.)	4	
61	265135308303	SHIM 0.10THK	AR	FOR SELECTION
61	265135308304	SHIM 0.15THK	AR	FOR SELECTION
61	265135308305	SHIM 0.20THK	AR	FOR SELECTION
61	265135308306	SHIM 0.25THK	AR	FOR SELECTION
61	265135308307	SHIM 0.50THK	AR	FOR SELECTION
61	265135308308	SHIM 1.50THK	AR	FOR SELECTION
61	265135308309	SHIM 0.3 THICK	AR	FOR SELECTION

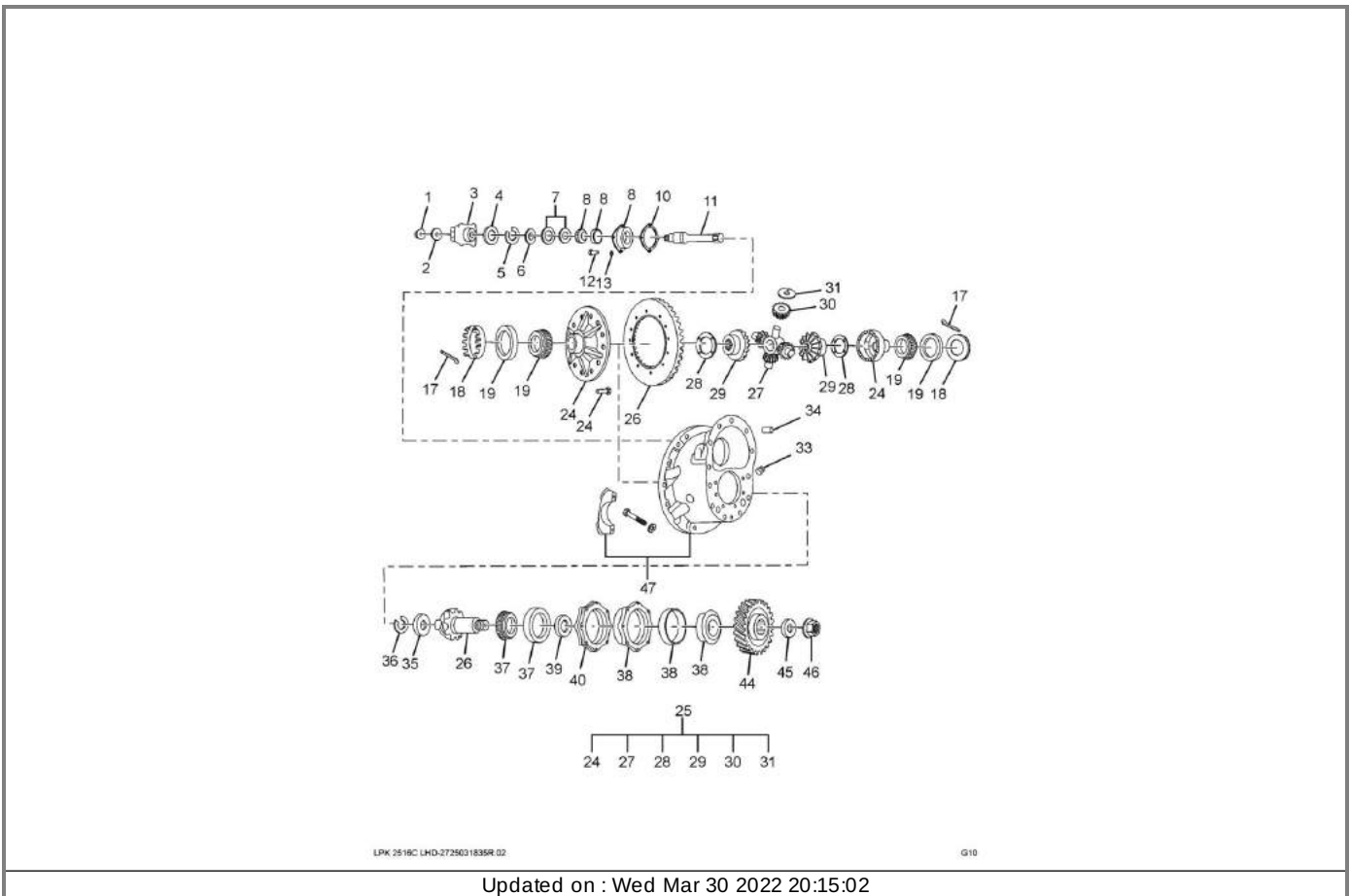


LPK2516C-35.35.01

P07

Updated on : Wed Mar 30 2022 20:15:02

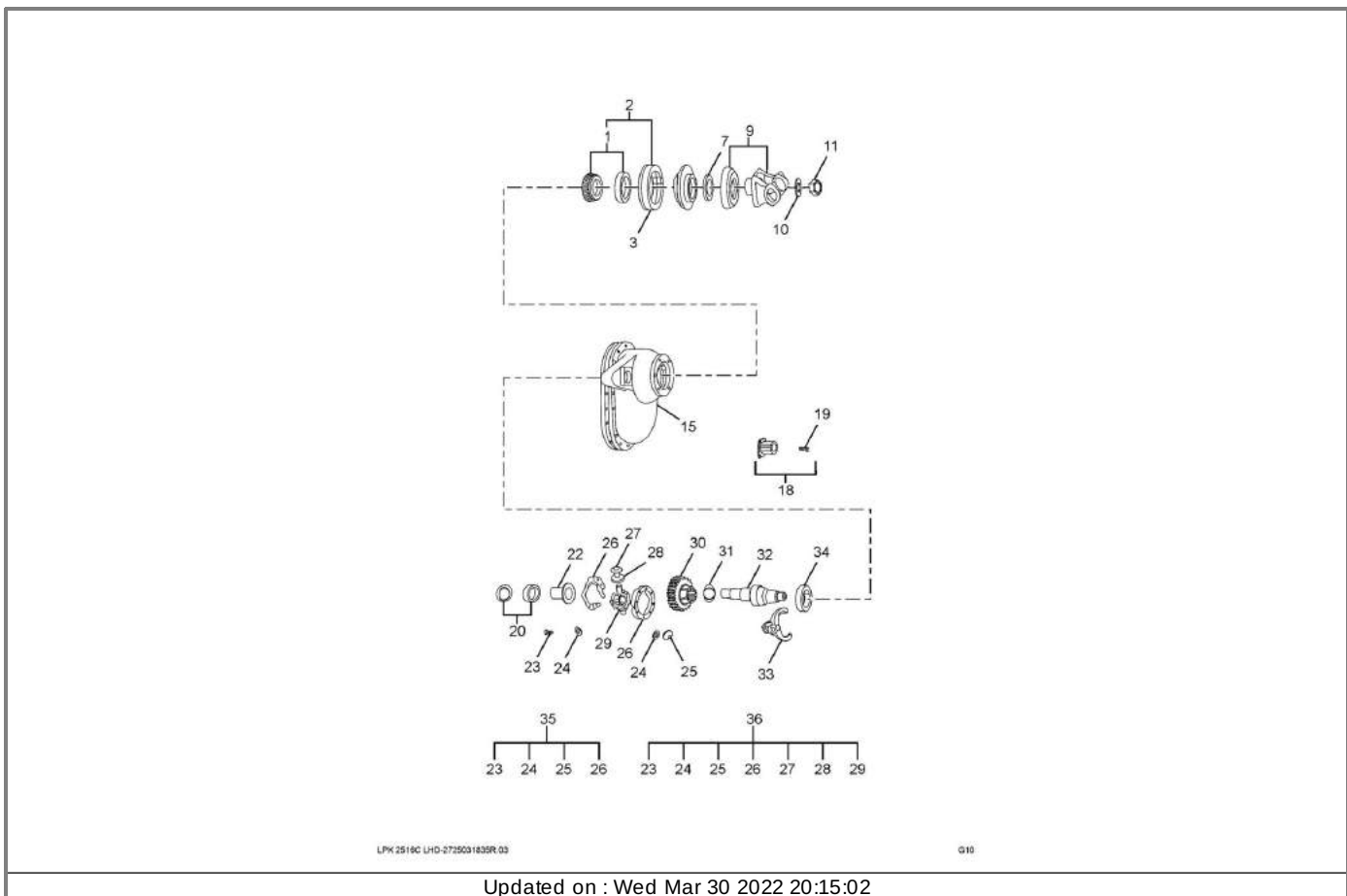
VC No : 21715238000R Group : (35) REAR AXLE Table : (2725031835R.02-FORWARD DIFFERENTIAL CARRIER (REAR))				
Fig.	Part No	Part Description	Qty	Remarks
-	272535110149	CARRIER ASSY REAR FWD	1	
	272535300110	DRIVE HEAD ASSY FWD REAR	1	NO LONGER SERVICED
1	272535306503	NUT THRU SHAFT	1	
2	272535309203	WASHER THRU SHAFT	1	
3	272535305108	END YOKE (THROUGH SHAFT) 1ST R/AXLE INPUT	1	
4	272535307702	OIL SEAL ASSY THROUGH SHAFT	1	
5	272535300111	SNAP RING KIT	1	
6	272535308601	SPACER THROUGH SHAFT	1	
7	272535303109	BEARING THROUGH SHAFT	2	
8	272535303104	CAGE CUP & ASSY THROUGH SHAFT	2	
10	272535105302	GASKET THROUGH SHAFT BEARING CAGE	1	
11	272535307901	THROUGH SHAFT	1	
12	272535903201	CAP SCREW-BEARING CAGE	4	
13	257342109208	WASHER-BEARING CAGE	4	
47	272535110105	CARRIER & CAP ASSY-FWD-REAR	1	
17	272535106701	COTTER PIN	2	
18	272535306504	ADJ. RING DIFF. BEARING	2	
19	272535303107	BEARING DIFF.	2	
24	272535300101	DIFF. CASE ASSY (MAIN DIFF.)	1	
25	272535300108	DIF CASE & NEST ASSY	1	
26	272535300103	ASSY. CROWN & PINION FWD RR BS1/2	1	
27	272535305102	SPIDER DIFFERENTIAL	1	
28	-----	THRUST WASHER SIDE GEAR	2	SERVICED UNDER- P/N 2725353001
29	272535305404	SIDE GEAR-DIFF.	2	
30	272535305401	PINION DIFF. MAIN	4	



Updated on : Wed Mar 30 2022 20:15:02

VC No : 21715238000R Group : (35) REAR AXLE Table : (2725031835R.03-FORWARD REAR CARRIER (INTER AXLE))

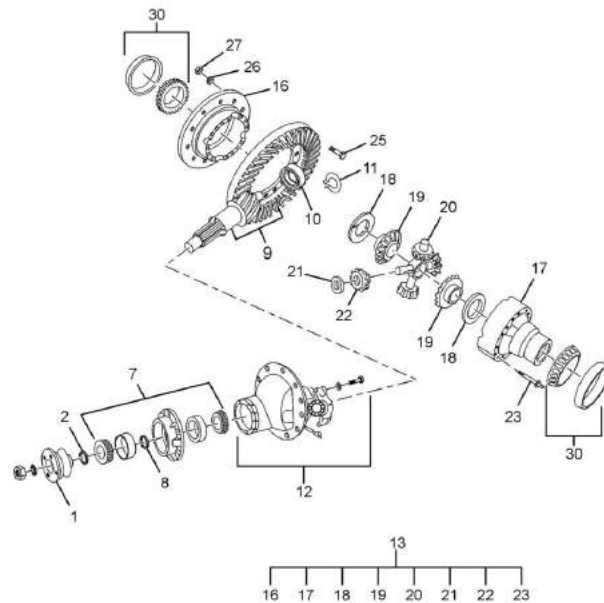
Fig.	Part No	Part Description	Qty	Remarks
1	272535303108	BEARING INPUT SHAFT	1	
2	272535303102	CAGE CUP & CONE ASSY INPUT SHAFT	1	
3	272535300113	SHIM KIT DRIVE PINION/INPUT SHAFT FWD REAR	1	
7	272535307701	OIL SEAL ASSY INPUT SHAFT	1	
9	272535305107	END YOKE (1ST REAR AXLE OUTPUT)	1	
10	272535309204	WASHER INPUT SHAFT NUT	1	
11	272535306501	NUT DRIVE PINION (INPUT SHAFT)	1	
	272535105301	SILASTIC LIQUID GASKET	1	
15	272535304701	COVER HELICAL GEAR	1	
18	272535300114	AIR CHAMBER ASSY WITH HARDWARES	1	
19	272535108001	CAP SCREW (AIR SHIFT CHAMBER)	1	
20	272535303106	BEARING INPUT SHAFT	1	
22	272535305403	SIDE GEAR (INTER AXLE)	1	
35	272535300105	DIFF. CASE ASSY (INTER AXLE)	1	CASES ONLY
36	272535300107	DIFF. CASE & NEST ASSY (INTER AXLE)	1	
	272535300115	HARDWARE KIT (INTER AXLE DIFF.)	1	
28	272535305402	PINION DIFF. (INTER AXLE)	1	
29	272535305101	SPIDER (INTER AXLE)	1	
30	272535305405	GEAR HELICAL DRIVE (INTEGRAL)	1	
31	272535309201	THRUST WASHER SIDE GEAR (INTER AXLE)	1	
32	272535307902	INPUT SHAFT	1	
33	272535305103	SHIFT FORK	1	
34	272535306301	CLUTCH COLLAR INPUT SHAFT	1	
	-----	COUPLING FLANGE (OUTPUT FRONT R/AXLE)	1	



Updated on : Wed Mar 30 2022 20:15:02

VC No : 21715238000R Group : (35) REAR AXLE Table : (2725031835R.04-REAR, REAR CARRIER)

Fig.	Part No	Part Description	Qty	Remarks
	272535300109	DRIVER HEAD ASSY FOR REAR, REAR	1	
1	272535305109	END YOKE (2ND REAR AXLE INPUT)	1	
2	272535307703	OIL SEAL ASSY DRIVE PINION	1	
7	272535303105	CAGE CUP & CONE ASSY (MAIN DIFF. REAR REAR)	1	
8	272535300112	SPACER KIT	1	
9	272535300102	ASSY. CROWN & PINION RR(SA-2-C0044)BS1/2	1	
10	272535306401	CYL. ROLLER BEARING (DRIVE PINION)	1	
11	272535309401	LOCK RING (DRIVE PINION)	1	
12	272535110104	CARRIER & CAP ASSY (REAR REAR)	1	
13	272535300108	DIFF. CASE & NEST ASSY (MAIN DIFF.)	1	
18	-----	THRUST WASHER SIDE GEAR	2	SERVICED IN SET
19	272535305404	SIDE GEAR MAIN DIFF.	2	
20	272535305102	SPIDER-DIFFERENTIAL	1	
21	-----	THRUST WASHER-DIFF.PINION	4	SERVICED IN SET
22	272535305401	PINION-DIFF MAIN	4	
	272535300127	GEAR HARDWARE KIT CONSISTS OF :	1	
25	-----	HEX. SCREW	12	
26	-----	WASHER	12	
27	-----	NUT	12	
	-----	COUPLING FLANGE (INPUT REAR REAR AXLE)	1	
30	272535303107	BEARING DIFF	2	



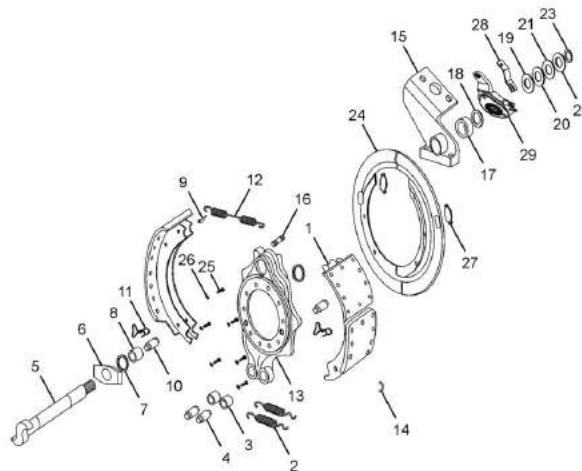
LPK 2516C LHD-2725031835R.04

G10

Updated on : Wed Mar 30 2022 20:15:02

VC No : 2171523800R Group : (35) REAR AXLE Table : (2725031835R.08-BRAKE FORWARD AND REAR REAR AXLE(AAL))

Fig.	Part No	Part Description	Qty	Remarks
	500742300105	BRAKE ASSY- REAR LH	2	
	500742300106	BRAKE ASSY- REAR RH	2	
1	284642100233	BRAKE SHOE W/LINING & ROLLER BS1/2/3/4	8	
1	257342110148	BRAKE SHOE LINING & ROLLER ASSY BS1- 4	4	
2	257342108708	SPRING- BRK SHOE RETAINING	8	
9	257342103403	PIN-RETURN SPRING	16	
10	257342107903	ROLLER- BRAKE SHOE	8	
12	257342108703	SPRING BRAKE SHOE RETURN BS1/2/3/4	4	
	257342100148	MINOR SERVICE KIT-BRAKE,CONSISTS OF:	1	
2	-	SPRING- BRK SHOE RETAINING	4	
9	-	PIN-RETURN SPRING	8	
10	-	ROLLER- BRAKE SHOE	4	
12	-	RETURN SPRING- BRAKE SHOE	2	
3	257342103401	BUSHING- ANCHOR PIN	8	
4	257342106723	ANCHOR PIN- BRAKE SHOE	8	
5	278242305105	CAM SHAFT RH	2	
5	278242305106	CAM SHAFT LH	2	
6	257342109211	WASHER- CAM HEAD	4	
	257342310182	CAMSHAFT WASHER KIT,CONSISTS OF:	1	
6	-	WASHER- CAM HEAD	2	
18	-	WASHER 2.5 MM	2	
19	-	WASHER 0.3 MM	4	
20	-	WASHER 0.5 MM	4	
21	-	WASHER 1.0 MM	2	
22	-	WASHER 2.5 MM	2	



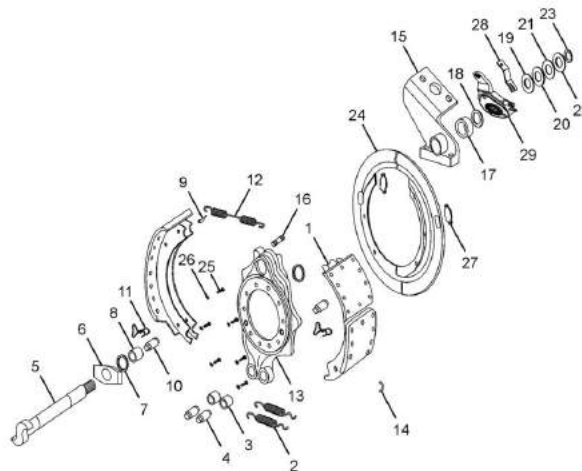
LPK2516C-42-42-01

EDB

Updated on : Wed Mar 30 2022 20:15:02

VC No : 21715238000R Group : (35) REAR AXLE Table : (2725031835R.08-BRAKE FORWARD AND REAR REAR AXLE(AAL))

Fig.	Part No	Part Description	Qty	Remarks
7	257342107701	SEAL- CAM SHAFT	8	
8	257342103402	BUSHING- CAM	8	
23	261842104301	LOCK RING- CAM SHAFT	4	
	257342300183	CAM SHAFT REPAIR KIT,CONSISTS OF:	1	
7	-	SEAL- CAM SHAFT	4	
8	-	BUSHING- CAM	4	
23	-	LOCK RING- CAM SHAFT	2	
11	257342104301	RETAINER- ROLLER	8	
13	257342310149	SPIDER ASSY (WITH BUSHES & SEAL)	4	
14	257342107405	RIVET	80	
15	500742300109	BRACKET ASSY- CAM SHAFT- LH	2	
15	500742300110	BRACKET ASSY- CAM SHAFT- RH	2	
16	257342309906	FITTING GREASE	4	
17	257342309214	SPACER	4	
24	257342308208	DUST SHEILD- TOP	2	
24	257342308205	DUST SHIELD BOTTOM	2	
25	257342108005	CAP SCREW- DUST SHIELD	48	
26	257342109208	WASHER- DUST SHIELD	48	
	257342310180	DUST SHIELD MOUNTING FASTENER KIT,CONSISTS OF:	1	
25	-	CAP SCREW- DUST SHIELD	12	
26	-	WASHER- DUST SHIELD	12	
27	257342106802	PLUG- DUST SHIELD	8	
28	277842108201	ANCHOR BRACKET LH	2	
28	277842108202	ANCHOR BRACKET RH	2	
29	277842300182	SLACK ADJUSTER STRAIGHT BS1/2/3/4	4	



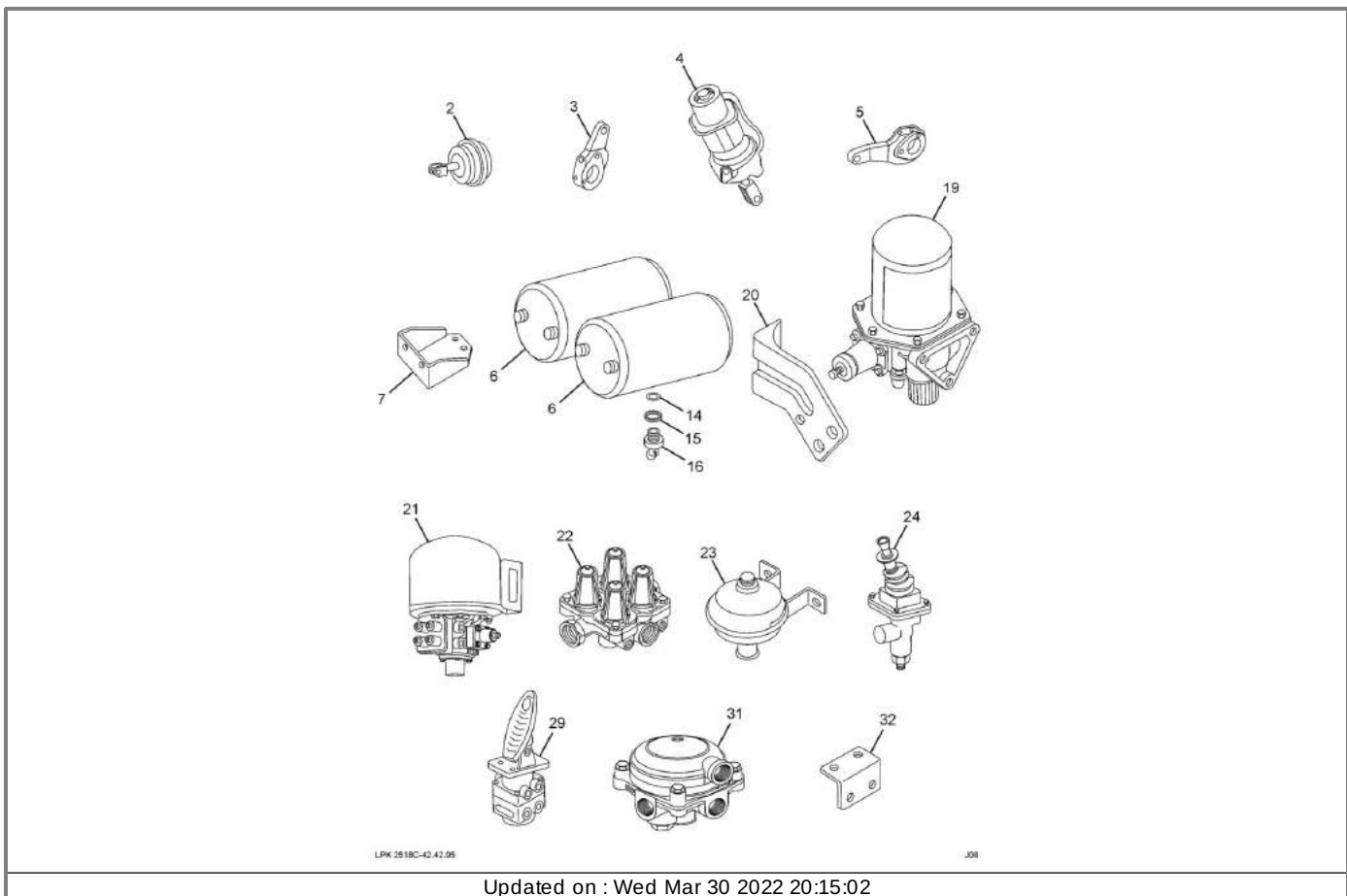
LPK2516C-42-42-01

EDB

Updated on : Wed Mar 30 2022 20:15:02

VC No : 21715238000R Group : (42) BRAKES Table : (2171473843R.01A-BRAKE AGGREGATES AND PIPES)

Fig.	Part No	Part Description	Qty	Remarks
3	277842100101	ASSY. SLACK ADJUSTER FRONT(AUTO) BS1- 6	4	FOR SELECTION
3	277842300182	SLACK ADJUSTER STRAIGHT BS1/2/3/4	4	FOR SELECTION
3	277842100159	ASSY SLACK ADJUSTER FRONT(AUTO)-KB	4	FOR SELECTION
5	277842300102	ASSY SLACK ADJUSTER REAR-RH(AUTO)-HALDEX	1	FOR SELECTION
5	277842300184	AUTO. SLACK ADJUSTER RH-16 OFF BS2/3/4	1	FOR SELECTION
5	277842300153	ASSY SLACK ADJUSTER REAR-RH(AUTO)-KB	1	FOR SELECTION
5	277842300101	ASSY SLACK ADJUSTER REAR-LH(AUTO)-HALDEX	1	FOR SELECTION
5	277842300183	AUTO. SLACK ADJUSTER LH 16-OFF BS2/3/4	1	FOR SELECTION
5	277842300156	ASSY SLACK ADJUSTER REAR-LH(AUTO)-KB	1	FOR SELECTION
	277842108301	SHIM FOR SLACK ADJUSTER	AR	
	289242303201	HEX BOLT	16	
	12302598027	HEX NUT W/COLLAR M16X1.5	16	
	277842108202	ANCHOR BRACKET-RH(FRT BRAKE)	2	
	277842108201	ANCHOR BRACKET-LH(FRT BRAKE)	2	
	277042308201	ANCHOR BRACKET RH(REAR BRAKE)	2	
	277042308202	ANCHOR BRACKET LH (REAR BRAKE)	2	
	277842108303	SHIM 0.5MM ID38.5	AR	
	277842108302	SHIM 0.8MM ID 38.5	AR	
	277842108306	SHIM-2MM ID 38.5(FOR HALDEX AUTOADJUSTER)	AR	
	257342106722	COLLARED PIN(FITMENT OF BRAKE ASSY)	4	
	257342106720	COLLARED PIN (M/S AAL)	4	
	257342103213	BOLT (FOR M/S AAL)	8	
	257642106501	SLOTTED NUT	4	
	260842300108	ASSY BRACKET LH(ACTUATOR MTG)	2	
	260842300109	ASSY BRACKET RH(ACTUATOR MTG)	2	



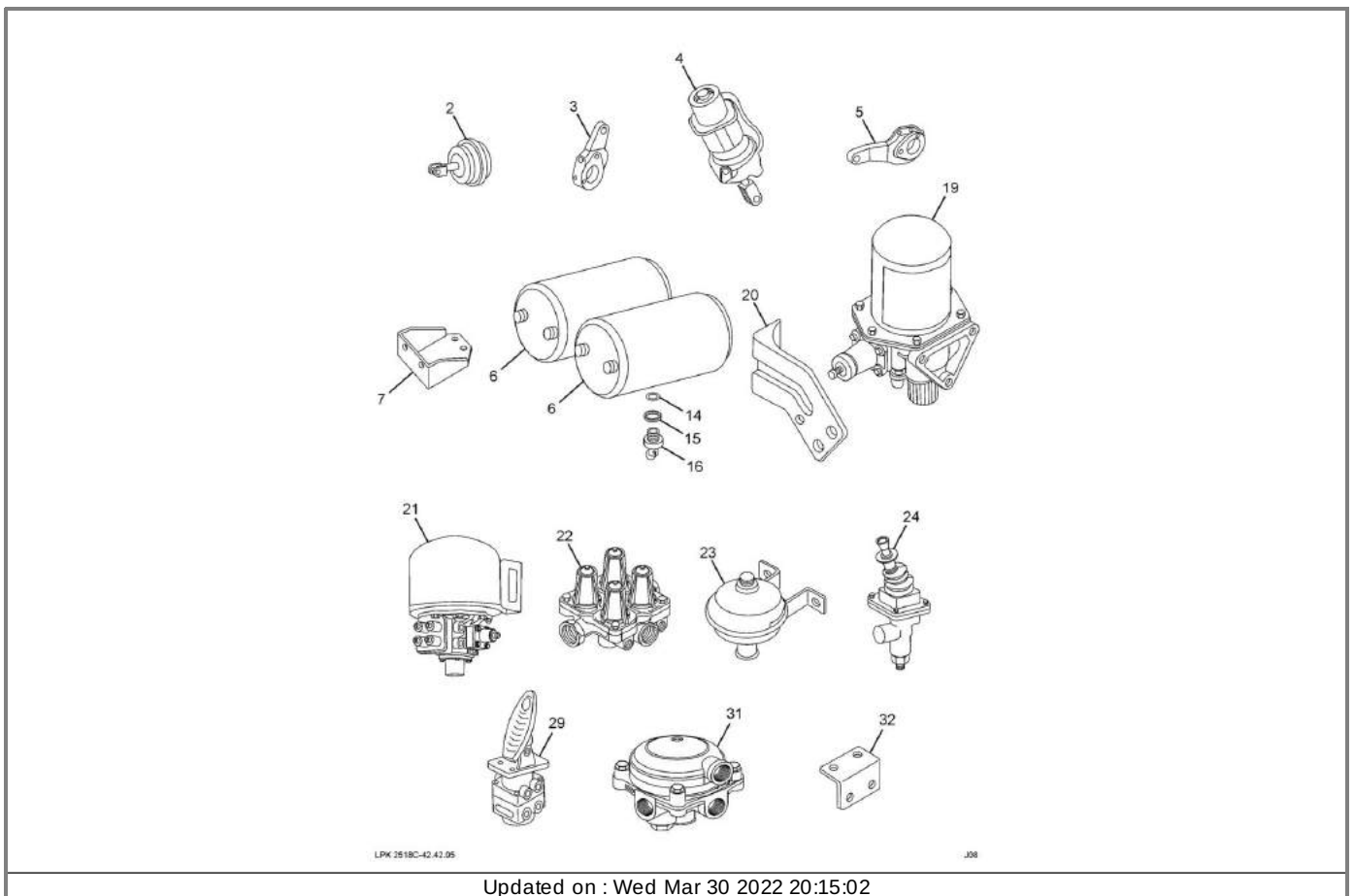
LPK 2516C-42.47.05

308

Updated on : Wed Mar 30 2022 20:15:02

VC No : 21715238000R Group : (42) BRAKES Table : (2171473843R.01A-BRAKE AGGREGATES AND PIPES)

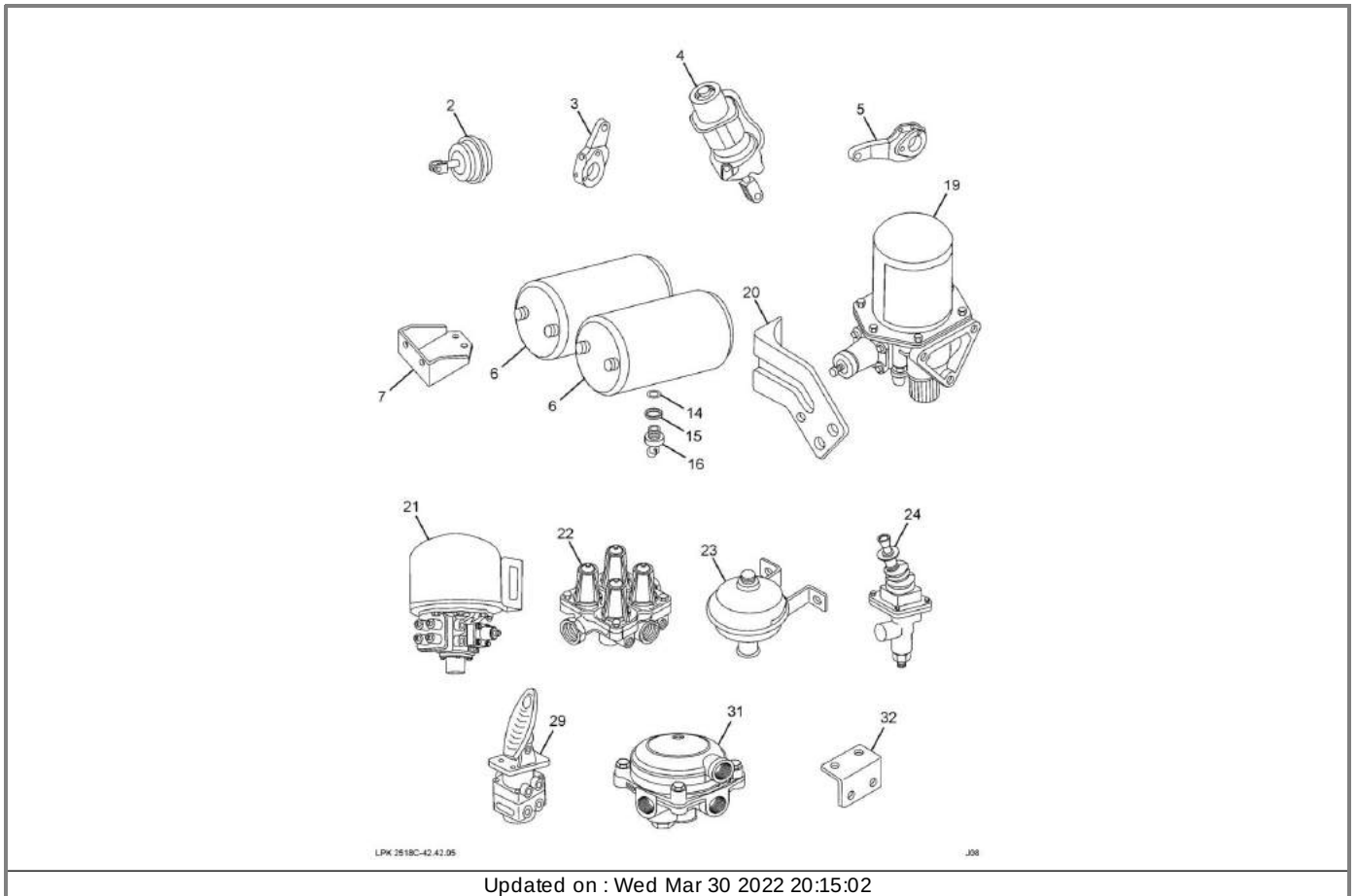
Fig.	Part No	Part Description	Qty	Remarks
6	220243200106	ASSY AIR TANK COMPLETE(VOSS)-FOR SCL BRAKE AGGREGATES	1	
6	217143200120	ASSY AIR TANK COMPLETE(VOSS)-FOR K.B.BRAKE AGGREGATES	1	
7	217143200101	ASSY BRACKET-R.H(A/TANK MTG.)	2	
7	217143200102	ASSY BRACKET-L.H(A/TANK MTG.)	2	
14	257643509201	THRUST RING	4	
15	17050501167	O-RING 18.72X2.62	4	
16	257643790159	WATER DRAIN VALVE TILT TYPE BS1/2/3/4	2	
	-----	SCL MAKE BRAKE AGGREGATES		
2	278242100106	BRAKE CHAMBER TYPE 24 BS1/2/3/4	2	
4	278243700174	BRAKE ACTUATOR(VOSS-LH)24/75 BS1/2/3	1	
4	278243700146	SPRING BRK. ACTUATOR RH 24/75 BS1/2/3	1	
4	283943700110	SPRING BRAKE ACTUATOR RH-T20/75(FOR RWD REAR AXLE)	1	
4	283943700111	SPRING BRK. ACTUATOR LH 20/75 BS1/2/3	1	
21	278243700143	DRYING & DIST. HI PR VOSS BS1/2/3/4	1	
24	263243700188	GRADUATED HAND CONTROL VALVE BS1/2/3/4	1	
	217143200116	ASSY BRACKET FOR HBV,ISO VALVE,PTO ETC	1	
29	263243700109	DUAL BRAKE VAVLE VOSS BS1/2/3/4	1	
	216743208201	BASE PLATE (DUAL BRAKE VALVE)	1	
31	278243700147	RELAY VALVE BS2/3/4/6	1	
31	283943700118	RELAY VALVE VOSS(1 DEL.PORT BS1/2/3/4	1	
31	283943700119	RELAY VALVE(ONE DELIVERY PORT ADAPTOR)-SCL	1	
32	278242107101	BRACKET (RELAY VALVE MTG.)	3	
	215435900101	LEVER TYPE CONTROL VALVE	1	
	257635908205	SAFETY PLATE FOR DIFF LOCK LEVER	1	
	-----	PIPE LINES SCL BRAKE		



Updated on : Wed Mar 30 2022 20:15:02

VC No : 21715238000R Group : (42) BRAKES Table : (2171473843R.01A-BRAKE AGGREGATES AND PIPES)

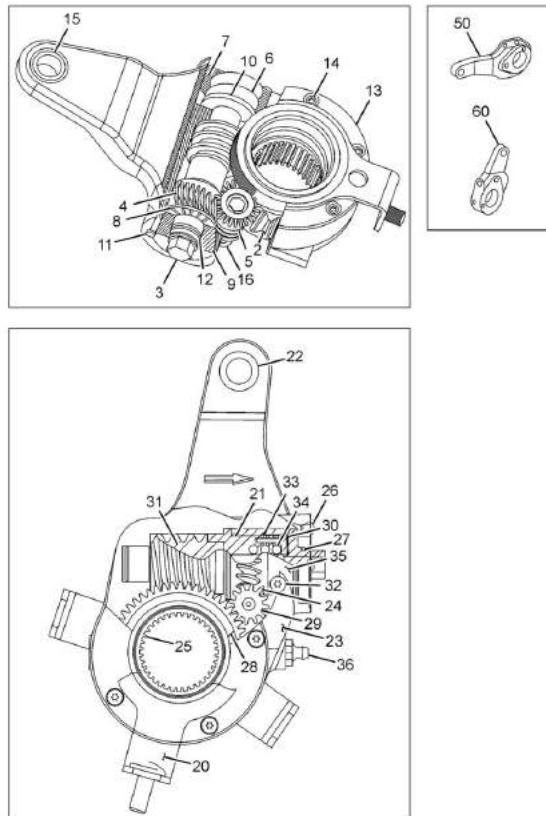
Fig.	Part No	Part Description	Qty	Remarks
	208243900129	ASSY TUBE WITH CRIMPED HOSE COMP.(AIR FILTER DUCT TO COMP)	1	
	217143910195	ASSY ADAPTOR(COMP OUTLET PORT)	1	
	217143910196	ASSY COMPRESSOR 1ST PIPE WITH HOSE	1	
	217143910197	ASSY COMPRESSOR 2ND PIPE	1	
	217143910198	ASSY COMPRESSOR 3RD PIPE	1	
	217143910190	3/8HOSE ASSY WITH ORING NIPPLE 615LG.	3	
	284643910155	ASSY HOSE 3/8WITH O-RING & 490MM LENGTH	4	
	207843100133	ASSY TUBE-FOR SHIFT CYL	1	
	208254200106	ASSY NYLON PIPE FOR GUAGE LINE -1516FACE	2	
	217143910188	ASSY NYLON PIPE SET COMPLETE (VOSS) SCL	1	
	-----	KB MAKE BRAKE AGGREGATES		
2	280642100101	BRAKE CHAMBER(KB-TYPE 24)	2	
4	263243710136	SPRING BRAKE ACTUATOR TYPE 24/24 BS2/3/4	1	
4	263243710136	SPRING BRAKE ACTUATOR TYPE 24/24 BS2/3/4	1	
4	283942310110	TYPE 20/24 SBA M/S.KB STRAIGHT PORT.	1	
4	283942310110	SPRNG BRAKE ACTUATOR-KB-TYPE-20/24 LH(FOR REAR RWD AXLE)	1	
19	263243700169	AIR DRYER W/O HEATER 8.1BAR BS2/3/4	1	
20	217143700103	BRACKET (AIR DRYER)	1	
22	263243700155	FOUR CIRCUIT PROTECTION VALVE BS2/3/4	1	
23	277043700113	PURGE TANK (SUITABLE FOR VOSS)-KB	1	
24	263243700154	HAND BRAKE VALVE(VOSS) BS1/2/3/4/6	1	
	217143200116	ASSY BRACKET FOR HBV,ISO VALVE,PTO ETC	1	
29	263243700163	FOOT BRAKE(TREADLE) VALVE-KB-VOSS	1	
	217143208202	BASE PLATE (FOOT BRAKE VALVE)	1	
31	263243700150	RELAY VALVE(VOSS) BS2/3/4	1	



Updated on : Wed Mar 30 2022 20:15:02

VC No : 21715238000R Group : (42) BRAKES Table : (2171473843R.02A-AUTO SLACK ADJUSTER)

Fig.	Part No	Part Description	Qty	Remarks
50	277842300102	ASSY SLACK ADJUSTER REAR-RH(AUTO)-HALDEX	1	FOR SELECTION
50	277842300184	AUTO. SLACK ADJUSTER RH-16 OFF BS2/3/4	1	FOR SELECTION
50	277842300153	ASSY SLACK ADJUSTER REAR-RH(AUTO)-KB	1	FOR SELECTION
50	277842300101	ASSY SLACK ADJUSTER REAR-LH(AUTO)-HALDEX	1	FOR SELECTION
50	277842300183	AUTO. SLACK ADJUSTER LH 16-OFF BS2/3/4	1	FOR SELECTION
50	277842300156	ASSY SLACK ADJUSTER REAR-LH(AUTO)-KB	1	FOR SELECTION
60	277842100101	ASSY. SLACK ADJUSTER FRONT(AUTO) BS1- 6	4	FOR SELECTION
60	277842300182	SLACK ADJUSTER STRAIGHT BS1/2/3/4	4	FOR SELECTION
60	277842100159	ASSY SLACK ADJUSTER FRONT(AUTO)-KB	4	FOR SELECTION
	277842300165	KIT-AUTOMATIC SLACK ADJUSTER,CONSISTS OF:	1	FOR MEI MAKE SLACK ADJ
2	-----	WORM WHEEL-AUTO SLACK ADJ.	1	
3	-----	WORM SHAFT-AUTO.ADJUSTER	1	
4	-----	CLUTCH WORM WHEEL	1	
5	-----	ASSY PINION AND RATCHET	1	
6	-----	SPRING-AUTO ADJUSTER	1	
7	-----	SPRING RETAINER-AUTO.ADJ.	1	
8	-----	THRUST BEARING-AUTO.ADJ.	1	
9	-----	BEARING RETAINER	1	
10	-----	SPRING SEAT-AUTO ADJUSTER	1	
11	-----	RIVET TUBULAR-AUTO.ADJUSTER	2	
12	-----	ORING-AUTO ADJUSTER	1	
13	-----	ASSY COVER PLATE	1	
14	-----	COUNTERSUNK HEAD SCREW	7	
15	-----	TAIL BUSH-AUTO.ADJUSTER	1	
16	-----	RETAINING SPRING	1	



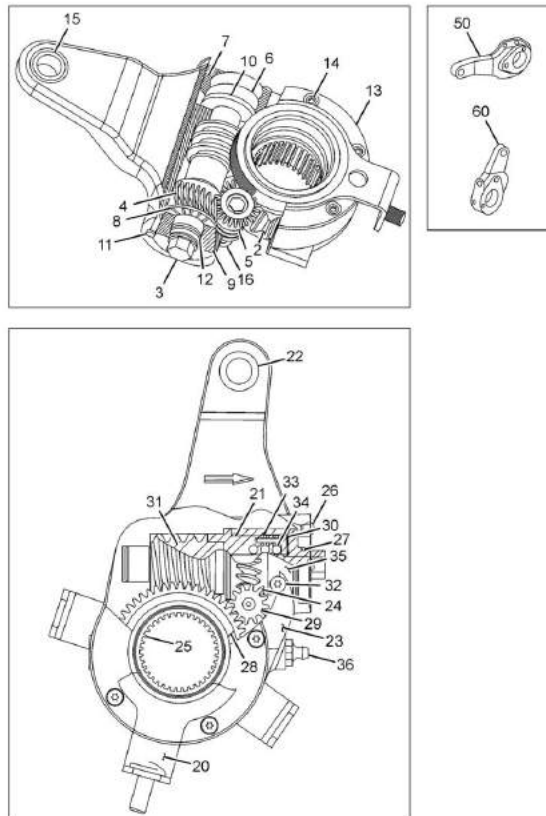
LPS4923-42-42.08

A09

Updated on : Wed Mar 30 2022 20:15:02

VC No : 21715238000R Group : (42) BRAKES Table : (2171473843R.02A-AUTO SLACK ADJUSTER)

Fig.	Part No	Part Description	Qty	Remarks
	277842300172	MINOR KIT-AUTO.SLACK ADJUSTER,CONSISTS OF:	1	FOR HALDEX MAKE SLACK ADJ
	-----	GASKET-AUTO ADJUSTER	1	
	-----	RIVET-AUTO ADJUSTER	2	
	-----	ORING 12X3-AUTO.ADJUSTER	1	
	-----	ORING 44.2X3-AUTO ADJUSTER	2	
	277842300168	KIT-AUTO. SLACK ADJUSTER,CONSISTS OF:	1	FOR HALDEX MAKE SLACK ADJ
	-----	ASSY REGULATOR WHEEL	1	
	-----	NEEDLE BEARING-AUTO.ADJ.	1	
	-----	BUSHING 12.7 MM	1	
	-----	CONTROL ARM BUSHING	1	
	-----	FRONT COVER-AUTO.ADJUSTER	1	
	-----	REAR COVER-AUTO.ADJUSTER	1	
	-----	GASKET-AUTO ADJUSTER	1	
	-----	WORM SHAFT-AUTO ADJUSTER	1	
	-----	CLUTCH WHEEL-AUTO ADJUSTER	1	
	-----	RIVET-AUTO ADJUSTER	2	
	-----	ORING 12X3-AUTO.ADJUSTER	1	
	-----	ORING 44.2X3-AUTO ADJUSTER	2	
	-----	TORX SCREW-AUTO.ADJUSTER	7	
	-----	COIL SPRING-AUTO.ADJUSTER	1	
	-----	THRUST WASHER-AUTO.ADJ.	1	
	277842300164	KIT-AUTOMATIC SLACK ADJUSTER,CONSISTS OF:	1	FOR KB MAKE SLACK ADJ
20	-----	REFERANCE UNIT ASSY	1	
21	-----	CLUTCH BEARING	1	
22	-----	ARM BUSHING	1	

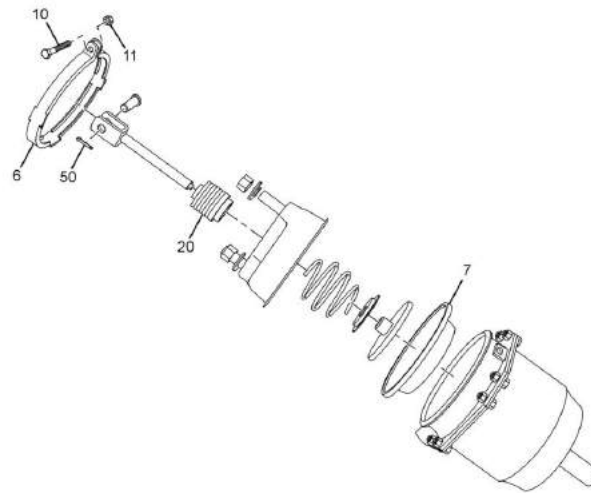


LPS4913-42 42 08

A09

Updated on : Wed Mar 30 2022 20:15:02

VC No : 2171523800R Group : (42) BRAKES Table : (2171473843R.08A-BRAKE ACTUATOR VOSS REAR FWD AXLE (KB))				
Fig.	Part No	Part Description	Qty	Remarks
	263243710136	SPRING BRAKE ACTUATOR TYPE 24/24 BS2/3/4	1	
	263243710136	SPRING BRAKE ACTUATOR TYPE 24/24 BS2/3/4	1	
	263243710154	MINOR SPARE KIT-BRAKE ACTUATOR SERVICE SIDE,CONSISTS OF:	1	
50	-----	COTTER PIN	1	
7	-----	DIAPHRAGM	1	
20	-----	BELLOW	1	
	263243710155	MAJOR SPARE KIT-BRAKE ACTUATOR SERVICE SIDE,CONSISTS OF:	1	
	-----	SPACER	1	
6	-----	CLAMP RING	1	
11	-----	NUT	1	
50	-----	COTTER PIN	1	
7	-----	DIAPHRAGM	1	
20	-----	BELLOW	1	
10	-----	SCREW	1	
	263243710156	MINOR SPARE KIT-BRAKE ACTUATOR PARKING SIDE,CONSISTS OF:	1	
	-----	ORING	1	
	-----	SEAL RING	1	
	-----	ORING	1	
	-----	ORING	1	
	-----	MAIN SEAL (TYPE 24)	1	
	-----	RING (CIRCLIP)	1	
	-----	O-RING DRILL NUT	1	
	-----	COTTER PIN	1	
	-----	GREASE	1	
	-----	COTTER PIN	1	



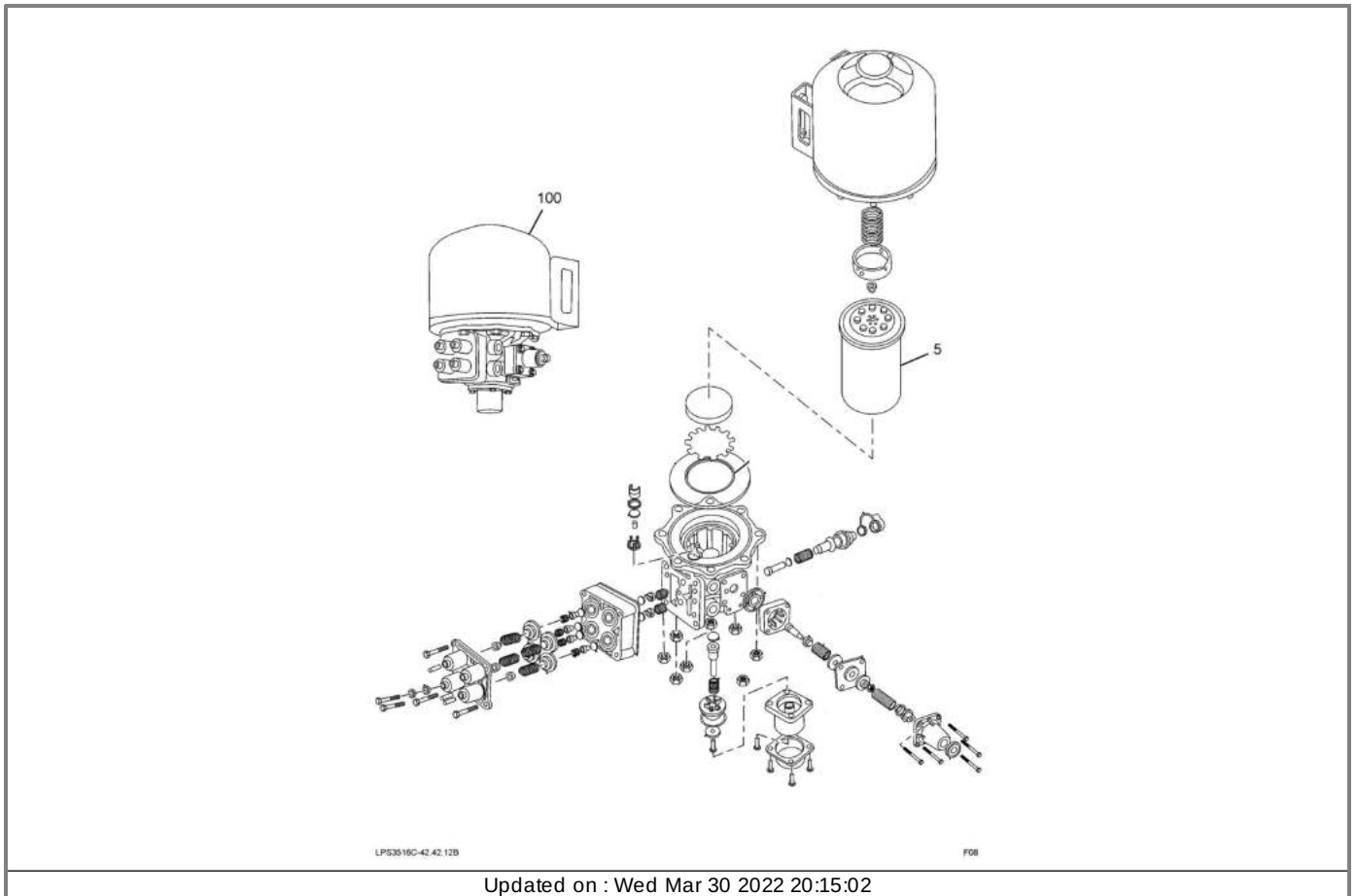
LPK 2516C (BK4) BS-2-2171473843R.08

J09

Updated on : Wed Mar 30 2022 20:15:02

VC No : 21715238000R Group : (42) BRAKES Table : (2171473843R.12A-DRYING & DISTRIBUTION UNIT (SCL))

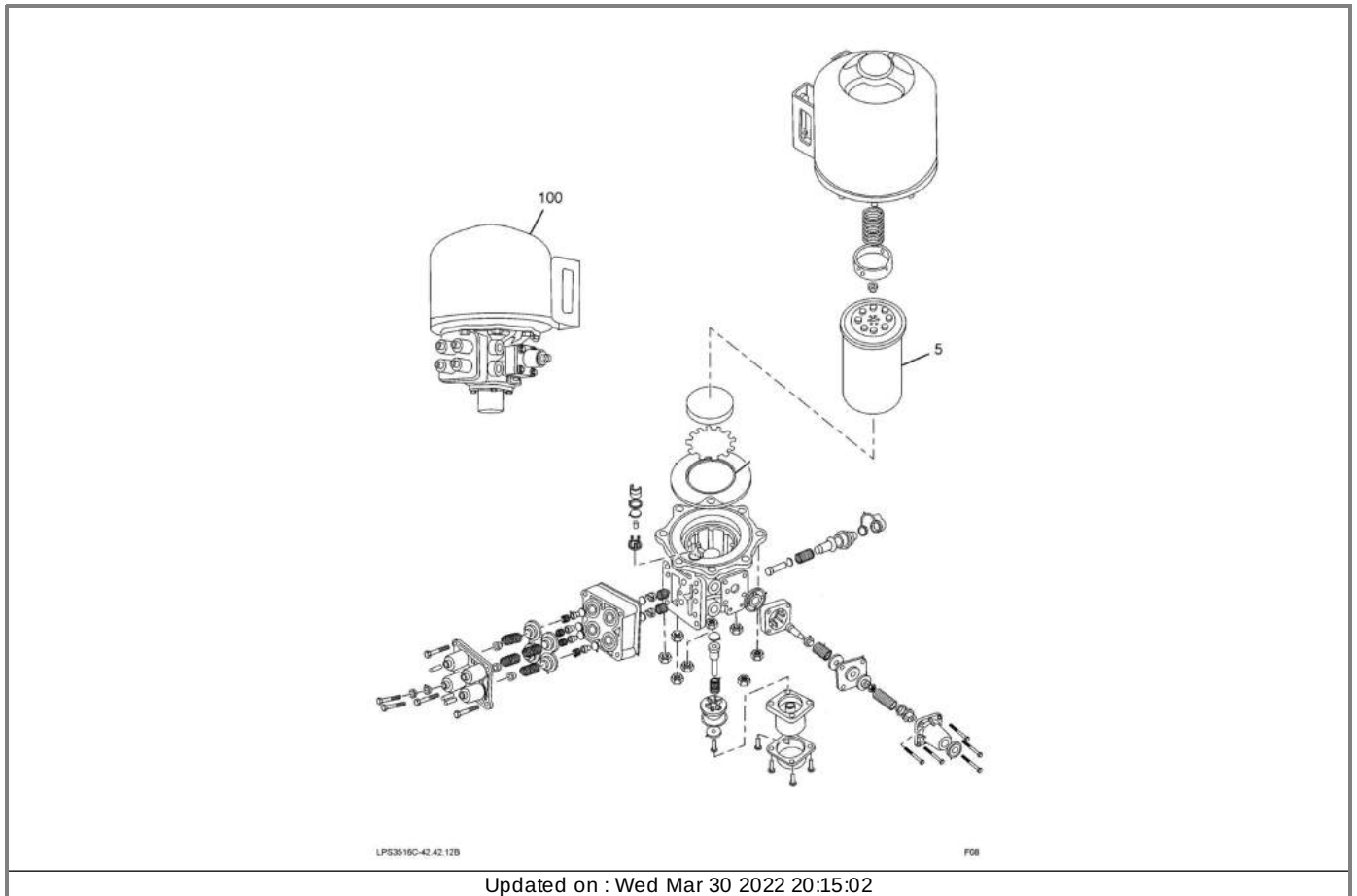
Fig.	Part No	Part Description	Qty	Remarks
100	278243700143	DRYING & DIST. HI PR VOSS BS1/2/3/4	1	
-	885444202516	KIT-DDU REPAIR MAJOR BS1/2/3/4	1	
5	216343709919	Desiccant Cartrige	1	
-	-	SEALING RING	1	
-	-	SEALING RING	1	
-	-	1-RingR12 Relay Valve	1	
-	-	Filter	1	
-	-	O Ring	1	
-	-	Spherical Valve	1	
-	-	Silencer Assembly	1	
-	-	NG8 Retaining Clip	1	
-	-	NG8 Spring Element	1	
-	-	Exhaust Flap-Combined Unit	1	
-	-	combined Unit/Air Dryer	1	
-	-	Diaphragm	1	
-	-	Gasket	1	
-	-	O-RING	1	
-	-	Sealing Ring (Lever Con Valve)	6	
-	-	Spherical Valve	1	
-	-	Gasket	1	
-	-	Qspv Diaphragm	1	
-	-	Sealing ring	1	
-	-	O-RING	4	
-	-	Ng12 Spring Element	4	
-	-	NG12-RETAINING CLIP	4	



Updated on : Wed Mar 30 2022 20:15:02

VC No : 21715238000R Group : (42) BRAKES Table : (2171473843R.12A-DRYING & DISTRIBUTION UNIT (SCL))

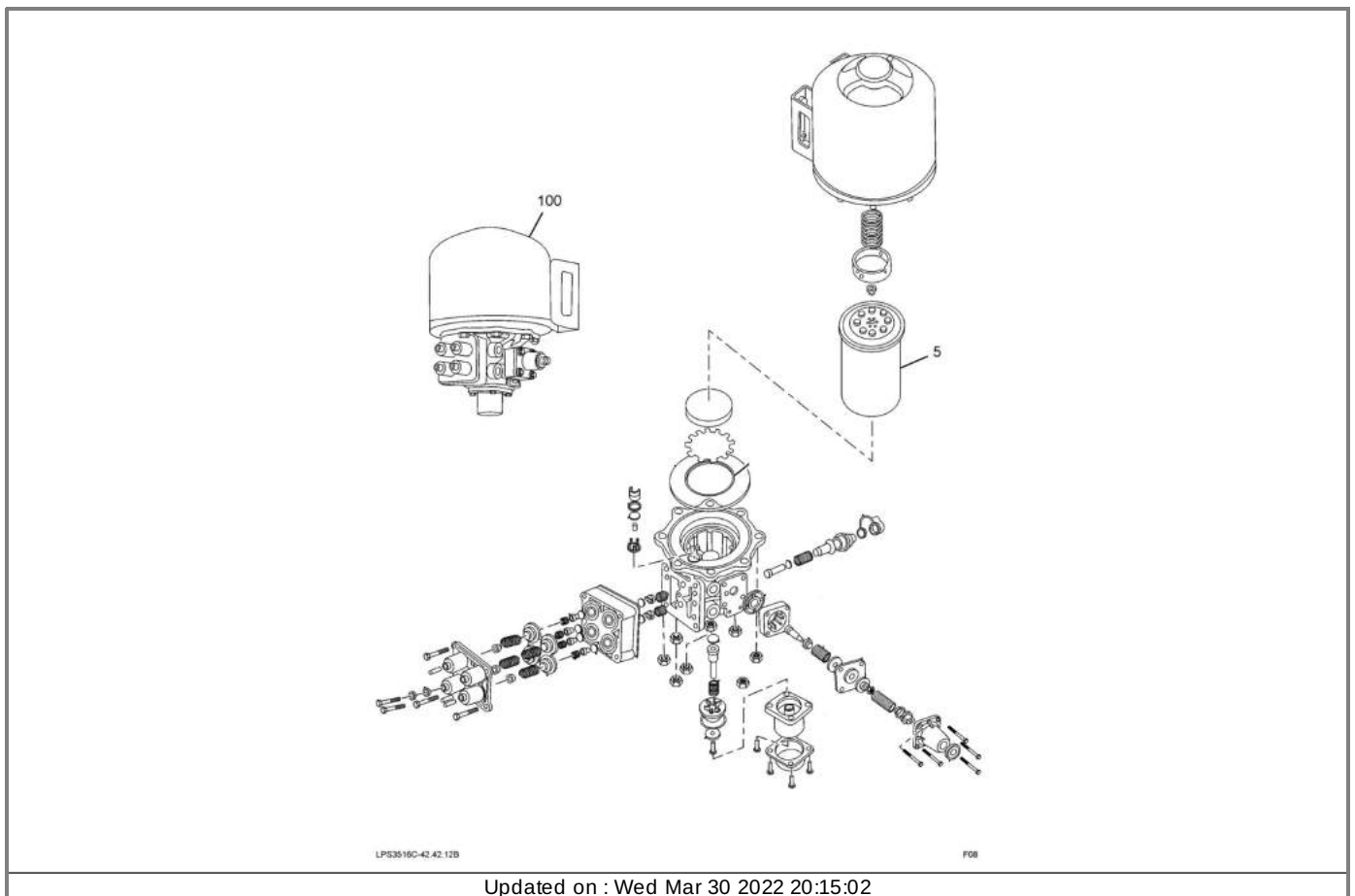
Fig.	Part No	Part Description	Qty	Remarks
-	-	Compression Spring-Combined unit	1	
-	-	Valve Seat	1	
-	-	Valve	6	
-	-	Compression Spring-Qspv(New)	7	
-	-	Lip Seal	1	
-	-	Spring-Combined UnitHcv	1	
-	-	O-RING	4	
-	-	O-RING	4	
-	-	O-RING	1	
-	-	O-RING	1	
-	-	Grease Satchet(JED-003-MO)-OKS	2	
-	-	Washer	1	
-	-	Sealing Ring	1	
-	-	Sealing Ring-Ghcv (Al)	1	
-	-	100911150essure Test Connector	1	
-	-	Dust Cap-Pwoc/Combined Unit	1	
-	-	Filter	1	
-	278243700188	REPAIR KIT-DDU (MINOR) BS1/2/3/4	1	
-	-	Purge Valve	1	
-	-	SEALING RING	1	
-	-	SEALING RING	1	
-	-	1-RingR12 Relay Valve	1	
-	-	Filter	1	
-	-	O Ring	1	
-	-	Spherical Valve	1	



Updated on : Wed Mar 30 2022 20:15:02

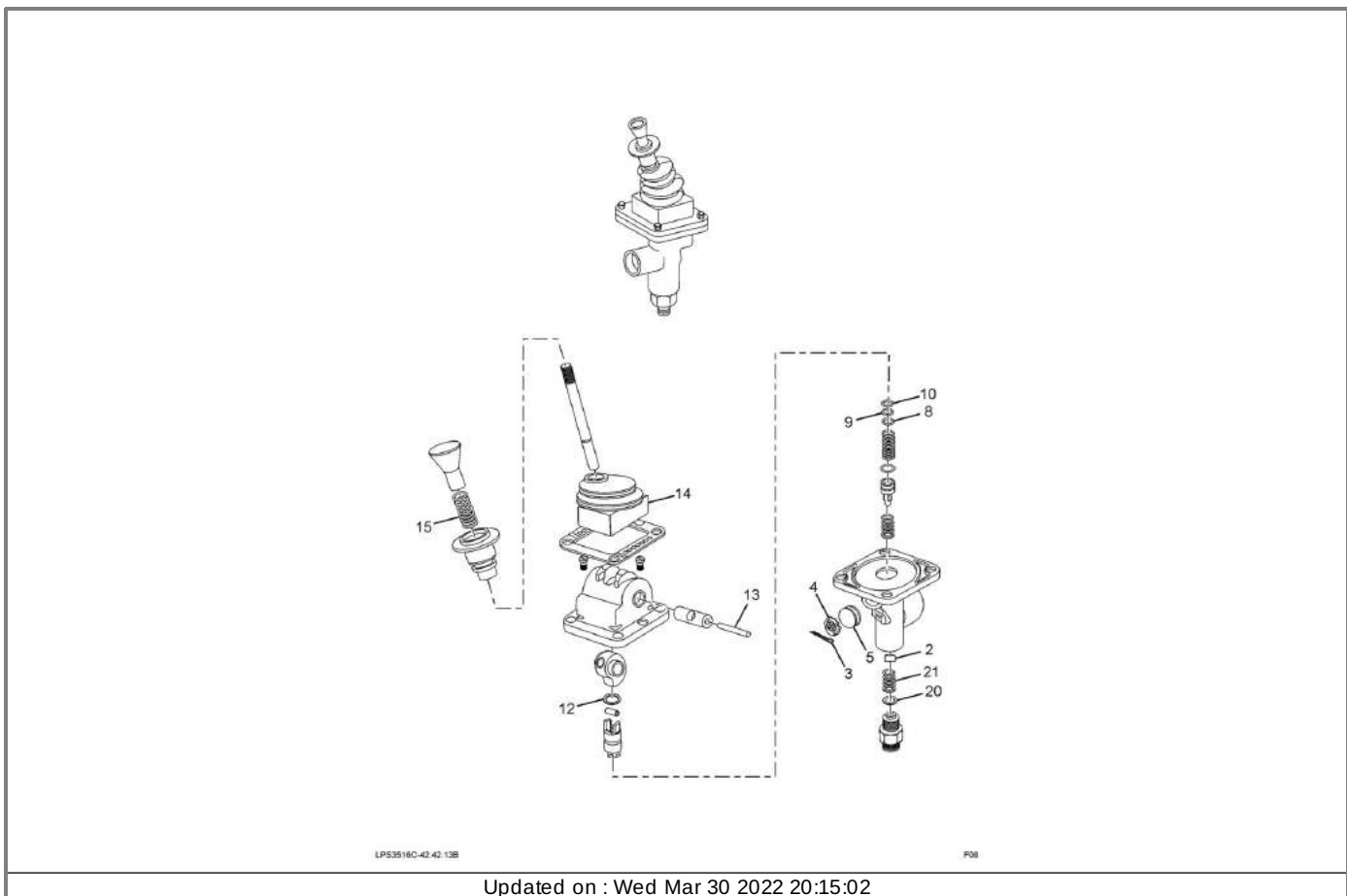
VC No : 21715238000R Group : (42) BRAKES Table : (2171473843R.12A-DRYING & DISTRIBUTION UNIT (SCL))

Fig.	Part No	Part Description	Qty	Remarks
-	-	Screw Holder	1	
-	-	NG8 Retaining Clip	1	
-	-	NG8 Spring Element	1	
-	-	Exhaust Flap-Combined Unit	1	
-	-	combined Unit/Air Dryer	1	
-	-	Diaphragm	1	
-	-	Gasket	1	
-	-	O-RING	1	
-	-	Sealing Ring (Lever Con Valve)	6	
-	-	Spherical Valve	1	
-	-	Gasket	1	
-	-	Qspv Diaphragm	1	
-	-	Sealing ring	1	
-	-	O-RING	4	
-	-	Ng12 Spring Element	4	
-	-	NG12-RETAINING CLIP	4	
-	-	Compression Spring-Combined unit	1	
-	-	Valve Seat	1	
-	-	Valve	6	
-	-	Compression Spring-Qspv(New)	7	
-	-	Lip Seal	1	
-	-	Spring-Combined UnitHcv	1	
-	-	O-RING	4	
-	-	O-RING	4	
-	-	O-RING	1	



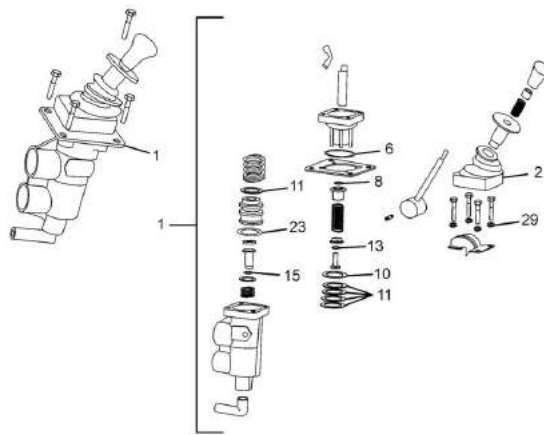
VC No : 21715238000R Group : (42) BRAKES Table : (2171473843R.15A-HAND CONTROL VALVE (SCL))

Fig.	Part No	Part Description	Qty	Remarks
-	263243700188	GRADUATED HAND CONTROL VALVE BS1/2/3/4	1	
-	263243910171	REPAIR KIT-GR HAND BR VALVE	1	
2	-	VALVE	1	
20	-	SEALING RING	2	
21	-	VALVE SPRING	2	
5	-	FILTER	1	
4	-	STRAINER PLATE	1	
-	-	WASHER	1	
8	-	SHIM	1	
9	-	SHIM	1	
10	-	SHIM	1	
12	-	SEALING RING	1	
13	-	TENSION PIN	1	
14	-	GAITER	1	
15	-	SPRING	1	
-	-	NG8 RETAINING CLIP	1	
-	-	NG8 SPRING ELEMENT	1	
-	-	NG12 RETAINING CLIP	1	
3	-	SPLIT PIN	1	
-	-	SPRING ELEMENT	1	
-	-	P2C FITTING	1	
-	-	GREASE SACHET	1	



VC No : 21715238000R Group : (42) BRAKES Table : (2171473843R.16-HAND CONTROL VALVE (KB))

Fig.	Part No	Part Description	Qty	Remarks
1	263243700154	HAND BRAKE VALVE(VOSS) BS1/2/3/4/6	1	
	280643710106	MINOR SPARE KIT HAND BRAKE VALVE	1	
	-----	VALVE CAP	1	
13	-----	CIRCLIP	1	
2	-----	DUST PROTECTOR	1	
6	-----	ORING	1	
8	-----	ORING	1	
15	-----	ORING	1	
23	-----	ORING	1	
10	-----	WASHER	2	
11	-----	WASHER	5	
	-----	GREASE	1	
29	-----	SPRING WASHER	4	
	280643710107	MAJOR SPARE KIT HAND BRAKE VALVE	1	
	-----	VALVE CAP	1	
	-----	BUSHING	1	
13	-----	CIRCLIP	1	
	-----	RELEASE LEVER HANDLE	1	
	-----	HANDLE	1	
2	-----	DUST PROTECTOR	1	
6	-----	ORING	1	
8	-----	ORING	1	
15	-----	ORING	1	
23	-----	ORING	1	
	-----	COMPRESSION SPRING	1	



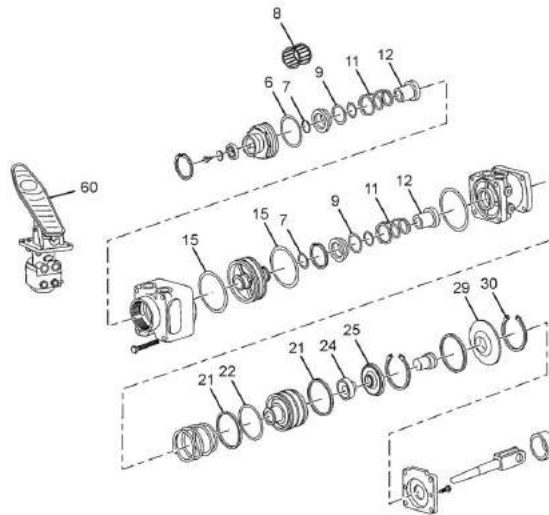
LPK 2516C (BK4) BS-6-2171473843R.16

J09

Updated on : Wed Mar 30 2022 20:15:02

VC No : 21715238000R Group : (42) BRAKES Table : (2171473843R.17-DUAL BRAKE VALVE VOSS (SCL))

Fig.	Part No	Part Description	Qty	Remarks
60	263243700109	DUAL BRAKE VALVE VOSS BS1/2/3/4	1	VOSS TYPE
	263243910168	REPAIR KIT-DUAL BREAK VALVE BS1/2/3/4/6	1	FOR VOSS TYPE
	-----	SILENCER COVER	1	
	-----	MESH	1	
	-----	SEALING RING	1	
6	-----	SEALING RING	2	
7	-----	SEALING RING	2	
8	-----	FILTER	2	
9	-----	SEALING RING	2	
11	-----	SPRING	2	
12	-----	VALVE	2	
15	-----	SEALING RING	2	
21	-----	GUIDE RING	2	
22	-----	SEALING RING	1	
24	-----	RUBBER SPRING	1	
25	-----	SPRING SEAT	1	
29	-----	BOOT	1	
30	-----	SPLIT PIN	4	
	-----	BOOT	1	
	-----	RETAINING CLIP	4	
	-----	RETAINING CLIP	2	
	-----	NG8 SPRING ELEMENT	2	
	-----	SEALING RING	1	
	-----	SPRING ELEMENT	4	
	-----	P2C FITTINGS	1	

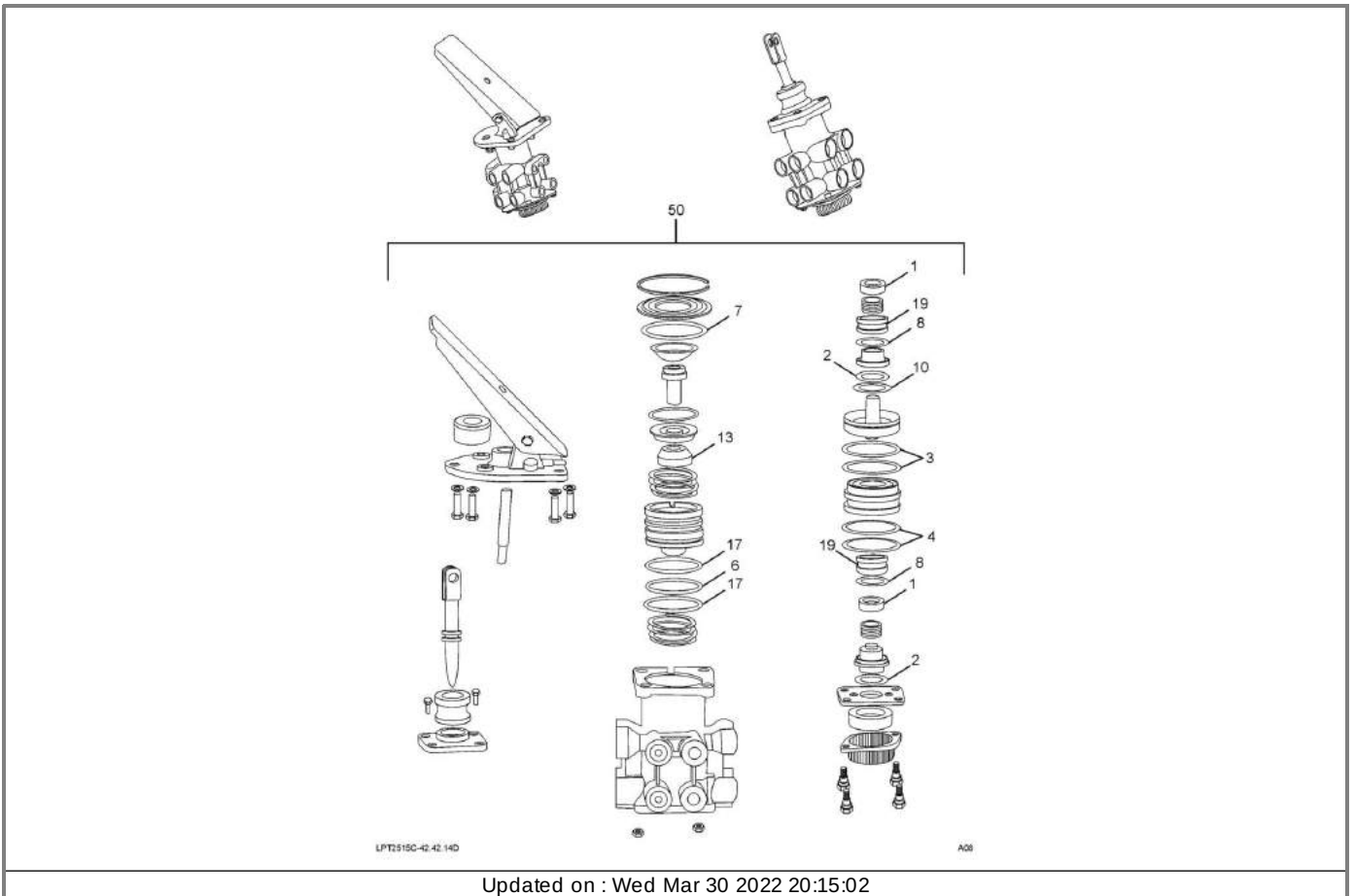


LPK 2516C-42.42.19

J08

Updated on : Wed Mar 30 2022 20:15:02

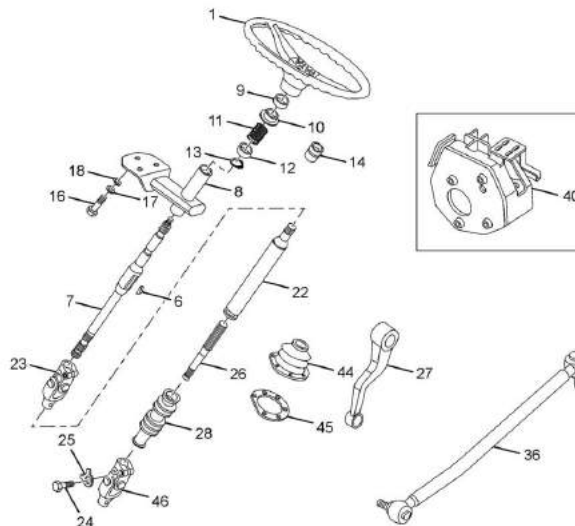
VC No : 2171523800R Group : (42) BRAKES Table : (2171473843R.19-FOOT BRAKE(TREADLE) VALVE VOSS (KB))				
Fig.	Part No	Part Description	Qty	Remarks
50	263243700163	FOOT BRAKE(TREADLE) VALVE VOSS KB	1	
	263243710160	MINOR SPARE KIT FOOT BRAKE VALVE	1	
8	-----	O-RING	2	
2	-----	O-RING	2	
3	-----	O-RING	2	
4	-----	O-RING	2	
6	-----	O-RING	1	
7	-----	O-RING	1	
17	-----	PISTON RING	2	
10	-----	CIRCLIP	1	
13	-----	RUBBER SPRING	1	
	-----	GREASE	1	
1	-----	COMPLETE VALVE	2	
19	-----	COMPLETE FILTER	2	
	263243710161	MAJOR SPARE KIT FOOT BRAKE VALVE	1	
8	-----	O-RING	2	
2	-----	O-RING	2	
3	-----	O-RING	2	
4	-----	O-RING	2	
6	-----	O-RING	1	
7	-----	O-RING	1	
17	-----	PISTON RING	2	
10	-----	CIRCLIP	1	
	-----	PISTON-PRIMARY	1	
	-----	VALVE SEAT BODY	1	



Updated on : Wed Mar 30 2022 20:15:02

VC No : 21715238000R Group : (46) STEERING Table : (2167113846R.01A-STEERING LINKAGES)

Fig.	Part No	Part Description	Qty	Remarks
1	257346400101	ASSY STEERING WHEEL 550 DIA	1	
6	13650596018	WOODRUFF KEY 5X7.5	1	
7	208246207906	STEERING SPINDLE (TOP)	1	
8	208246100101	ASSY STEERING COLUMN SUPPORT	1	
	263246206301	CAM	1	
9	264146207920	SPACER	1	
10	265446209915	SPRING SEAT	1	
11	265446208711	COMPRESSION SPRING	1	
12	265446208278	SPRING SEAT CUP	1	
13	14550602009	EXT.CIRCLIP 20X1.2N	1	
14	264046203102	SRDG BEARING	2	
16	11323998045	HEX. SCREW M 10X25	3	
17	12460501057	BRIGHT WASHER 10.5	3	
18	12520698050	SPRING WASHER B10	3	
	13120509301	DOWEL SLEEVE HEAVY 5X30	2	
	263246204301	SPRING CLIP (FOR STG. COL. BELLOW)	1	
22	208246200101	ASSY. STEERING SPINDLE BS1/2/3/4	1	FOR RANE & CHINA POWER STRG
22	208246207911	STEERING SLEEVE(RANE)	1	SINGLE PIECE
22	208246200102	ASSY. STEERING SPINDLE BS1/2/3/4	1	FOR ZF POWER STRG
23	265146600102	ASSY. UNIVERSAL JOINT BS1/2/3/4	1	
	265146603201	BOLT	2	
24	3219900401	HEX. SCREW	2	
25	12580601055	TAB WASHER 10.5	2	
26	263246207909	STG. SPINDLE BOTTOM LPT1613 L=206 BS1- 4	1	
28	263246206302	RUBBER BELLOW	1	

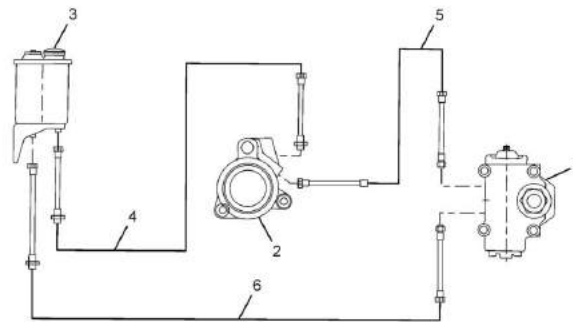


LPK 2523C-2167113846R.01

809

Updated on : Wed Mar 30 2022 20:15:02

VC No : 21715238000R Group : (46) STEERING Table : (2167113846R.02A-STEERING AGGREGATES AND PIPE LINES)				
Fig.	Part No	Part Description	Qty	Remarks
1	257346100144	ASSY. STEERING GEAR BOX BS1/2/3/4	1	
1	261846600102	ASSY. PWR STG GEAR BOX -PR VLV BS1/2/3/4	1	
-	219046100116	INTERMEDIATE SHAFT ASSY 20MM	1	Pl. refer attached photograph.
1	277046000109	ASSY POWER STEERING GEAR BOX(CHINA STEERING SYSTEM)	1	
2	275446600103	ASSY. VANE PUMP BS1/2/3/4	1	
2	275446600101	ASSLY.POWER STEERING PUMP BS1/2/3/4	1	
2	277046000110	POWER STEERING PUMP WITH FITTINGS (CHINA STG SYS.)	1	
3	278244400101	ASSY. HYDRAULIC STG. TANK-PLASTIC BS1- 4	1	FOR SELECTION
3	257344400101	PLASTIC HYDRAULIC RESERVOIR	1	
3	503046600105	ASSY. STG. PLASTIC RESERVOIR BS1/2/3/4	1	
	503046600107	KIT-FILTER BS1/2/3/4/6		KIT
-		FILTER ASSY		
-		SEALING RING		
-		SEALING RING		
-		VALVE SEAT		
-		SPRING		
-		STEAM		KIT
	503046990103	KIT-CAP		
-		BREATHER RUBBER		
-		STICKER-LOCK RANGE		
-		TIE STRAP		
-		STICKER-LOCK RANGE		
-		CAP		
	503046990104	KIT-SHELL		KIT
-		SHELL		

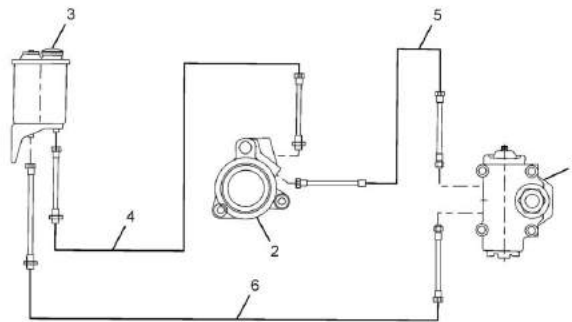


LPK2516C-48-46-02

P07

Updated on : Wed Mar 30 2022 20:15:02

VC No : 21715238000R Group : (46) STEERING Table : (2167113846R.02A-STEERING AGGREGATES AND PIPE LINES)				
Fig.	Part No	Part Description	Qty	Remarks
-		STRAINER-SUCTION		
-		PROTECTIVE CAP		
-		STICKER-LOCK RANGE		
-		STICKER		
-		STICKER-LOCK RANGE		
-		PROTECTIVE CAP		
3	217146000108	HYD. TANK ASSY (CHINA P/STG. SYSTEM)	1	FOR SELECTION
	275461100116	ASSY BRACKET(POWER STEERING TANK MTG.)	1	
	275546604601	COUPLING	1	
	209646150167	KIT ASSY PIPES-ZF,CONSISTS OF:	1	FOR ZF P/STRG
4	217146800124	SUCTION LINE HOSE ASSY	1	FOR ZF P/STRG
5	217146800126	PRESSURE LINE HOSE ASSY	1	FOR RANE & CHINA P/STRG
6	217146800125	RETURN LINE HOSE ASSY	1	FOR RANE & CHINA P/STRG
	207746800158	ASSY MALE ADAPTOR	1	FOR RANE & CHINA P/STRG
	207746800159	ASSY MALE ADAPTOR	2	FOR ZF P/STRG
	207746800160	ASSY MALE ADAPTOR	1	FOR RANE & CHINA P/STRG
	209646150165	KIT ASSY PIPES-RANE,CONSISTS OF:	1	FOR RANE & CHINA P/STRG
4	217146800124	SUCTION LINE HOSE ASSY	1	FOR ZF P/STRG
5	217146800126	PRESSURE LINE HOSE ASSY	1	FOR RANE & CHINA P/STRG
6	217146800125	RETURN LINE HOSE ASSY	1	FOR RANE & CHINA P/STRG
	207746800158	ASSY MALE ADAPTOR	1	FOR RANE & CHINA P/STRG
	207746800159	ASSY MALE ADAPTOR	1	FOR ZF P/STRG
	207746800160	ASSY MALE ADAPTOR	2	FOR RANE & CHINA P/STRG
	-----	NOTE: ZF,RANE & CHINA STRG SYSTEM ARE IN SELECTION		



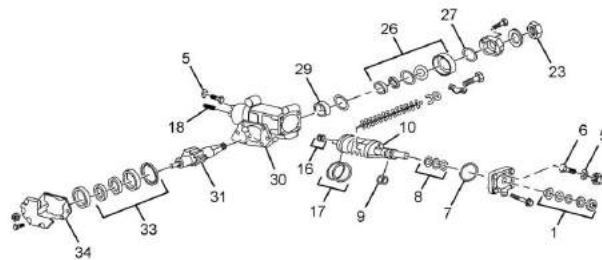
LPK2516C-48-48-02

P07

Updated on : Wed Mar 30 2022 20:15:02

VC No : 21715238000R Group : (46) STEERING Table : (2167113846R.03-STEERING GEAR BOX (RANE))

Fig.	Part No	Part Description	Qty	Remarks
	261846600102	ASSY. PWR STG GEAR BOX -PR VLV BS1/2/3/4	1	
1	257346200115	INPUT SHAFT SEAL KIT CONSISTS OF :	1	
	-	SEAL PROTECTOR	1	
	-	SEAL	1	
	-	RETAINING RING (INTERNAL)	1	
	-	BACK UP WASHER	1	
6	257346208003	ADJ. SCREW POPPET V / HSG.	1	
8	257346203103	THRUST BEARING KIT CONSISTS OF :	1	
	-	THRUST WASHER	1	
	-	NEEDLE THRUST BEARING	1	
	-	THRUST WASHER SPIGOTTED	1	
9	257346200116	SEAL KIT, VALVE SLEEVE CONSISTS OF :	1	
	-	SEAL RING	2	
	-	O RING	2	
10	257346200117	WORM RACK ASSY RHD	1	
16	257346200120	SEAL KIT WORM SHAFT CONSISTS OF :	1	
	-	O RING	1	
	-	SEAL RING	1	
17	257346200121	SEAL KIT PISTON RACK CONSISTS OF :	1	
	-	O RING	1	
	-	SEAL RING	1	
18	257346208005	ADJ. SCREW THRUST	1	
23	257346206504	NUT DROP ARM	1	
26	284646990195	KIT-SEAL	1	
	-	SEAL PROTECTOR	1	



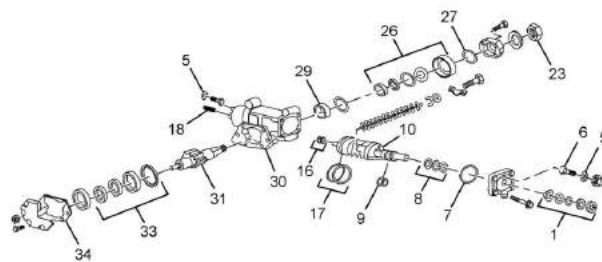
LPK2516C-45-45-04

P07

Updated on : Wed Mar 30 2022 20:15:02

VC No : 21715238000R Group : (46) STEERING Table : (2167113846R.03-STEERING GEAR BOX (RANE))

Fig.	Part No	Part Description	Qty	Remarks
-	-	TRUNNION COVER	1	
-	-	BACK UP WASHER	1	
-	-	SEAL RING ASSY	1	
27	257346207705	O RING	1	
29	257346203002	ROLLER BRG. HSG. COVER	2	
30	257346203710	HOUSING	1	
31	257346200123	SECTOR SHAFT ASSY	1	
33	257346200124	SEAL KIT, SIDE COVER	1	
-	-	RETAINING RING (INTERNAL)	1	
-	-	SEAL RING ASSY	1	
-	-	BACK UP WASHER	1	
-	-	BACK UP WASHER	1	
34	257346205301	SIDE COVER GASKET	1	
	257346200126	MAJOR SEAL KIT CONSISTS OF :	1	
1	-	INPUT SHAFT SEAL KIT	1	
5	-	SEALING WASHER, POPPET ADJ.	2	
7	-	O RING V HSG.	1	
9	-	SEAL KIT, VALVE SLEEVE	1	
16	-	SEAL KIT, WORM SHAFT	1	
17	-	SEAL KIT, PISTON RACK	1	
-	-	SEALING WASHER	1	
26	-	SEAL KIT, TRUNNION COVER	1	
27	-	O RING	1	
33	-	SEAL KIT, SIDE COVER	1	
34	-	SIDE COVER GASKET	1	



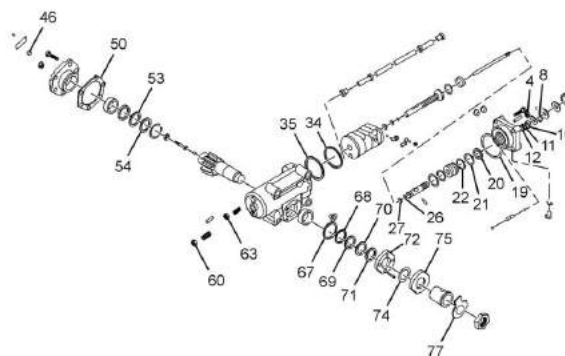
LPK2516C-45-45-04

P07

Updated on : Wed Mar 30 2022 20:15:02

VC No : 21715238000R Group : (46) STEERING Table : (2167113846R.04-STEERING GEAR BOX (CHINA STEERING SYSTEM))

Fig.	Part No	Part Description	Qty	Remarks
	277046000109	ASSY POWER STEERING GEAR BOX (CHINA)	1	
	-----	LOOSE PARTS OF POWER STEERING GEAR BOX		
	278246600112	HOUSING ASSY	1	SHOWN AS FIG NO. 51, 65, 68 &
	278246600113	VALVE HOUSING ASSY	1	SHOWN AS FIG NO. 4, 5, 8 TO 16
	278246600114	SECTOR SHAFT COVER ASSY	1	SHOWN AS FIG NO. 70 TO 72 IN T
	278246600115	VALVE SLEEVE ASSY	1	SHOWN AS FIG NO. 21 TO 23 IN T
	278246600116	INPUT SHAFT AND TORSION BAR ASSY	1	SHOWN AS FIG NO. 24 TO 28 IN T
	278246600117	WORM SHAFT ASSY	1	SHOWN AS FIG NO. 26 TO 28 & 31
	278246600118	PISTON ASSY	1	SHOWN AS FIG NO. 33 TO 35 ,40
	278246600119	SECTOR SHAFT ASSY	1	SHOWN AS FIG NO. 56 TO 59 IN T
	278246600120	HOUSING COVER ASSY	1	SHOWN AS FIG NO. 49, 51 TO 55
	278246600124	WORM SHAFT AND PISTON ASSY	1	
	-----	KITS		
	278246600106	SEALING KIT FOR POWER STEERING GEAR BOX CONSISTS OF:	1	
4	-	SEALING NUT	1	
10	-	OIL SEAL ASSY	1	
11	-	SEALING RING FOR INPUT SHAFT	1	
12	-	O RING FOR INPUT SHAFT	1	
19	-	RECTANGULAR OIL SEAL FOR VALVE HOUSING	1	
20	-	THRUST NEEDLE ROLLER BEARING	1	
21	-	SEALING RING FOR VALVE SLEEVE	2	
22	-	O RING FOR VALVE SLEEVE	2	
26	-	O RING FOR WORM SHAFT	2	
27	-	SEALING RING FOR WORM SHAFT	2	
34	-	O RING FOR RACK PISTON	1	



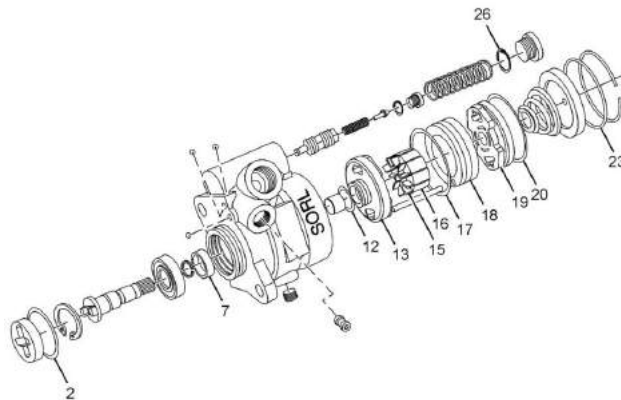
LPT2516-46-46.06

E97

Updated on : Wed Mar 30 2022 20:15:02

VC No : 21715238000R Group : (46) STEERING Table : (2167113846R.06-STEERING PUMP (CHINA))

Fig.	Part No	Part Description	Qty	Remarks
	277046000110	POWER STEERING PUMP (DIRECT DRIVE)	1	
	278246600104	MAJOR KIT FOR POWER STEERING PUMP,CONSISTS OF:	1	
2	-----	O-RING 46.22.65	1	
7	-----	OIL SEAL 17287	1	
12	-----	O-RING 20X2.65	1	
13	-----	VALVE PLATE ASSY	1	
15	-----	VANE	10	
16	-----	ROTOR	1	
17	-----	O-RING 642.65	1	
18	-----	CAM RING	1	
19	-----	SIDE PLATE	1	
20	-----	O-RING 662.65	1	
23	-----	O-RING 682.65	1	
26	-----	O-RING 201.8	1	
	278246600105	MINOR KIT FOR POWER STEERING PUMP CONSISTS OF:	1	
2	-----	O-RING 46.22.65	1	
7	-----	OIL SEAL 17287	1	
12	-----	O-RING 20X2.65	1	
17	-----	O-RING 642.65	1	
20	-----	O-RING 662.65	1	
23	-----	O-RING 682.65	1	
26	-----	O-RING 201.8	1	



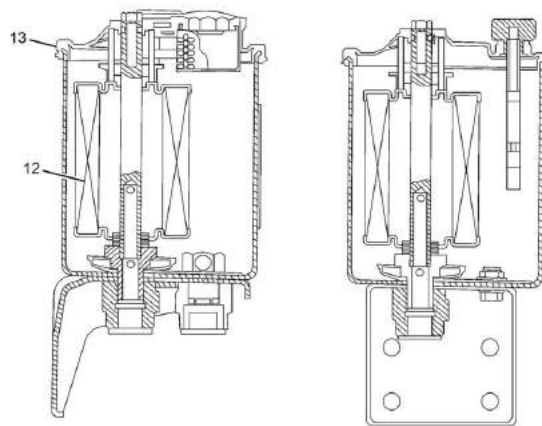
LPK2516C-48-48.06

P07

Updated on : Wed Mar 30 2022 20:15:02

VC No : 21715238000R Group : (46) STEERING Table : (2167113846R.08-HYDRAULIC TANK (RANE))

Fig.	Part No	Part Description	Qty	Remarks
	503046600105	ASSY. STG. PLASTIC RESERVOIR BS1/2/3/4	1	
	503046600107	KIT-FILTER BS1/2/3/4/6		KIT
	-	FILTER ASSY		
	-	SEALING RING		
	-	SEALING RING		
	-	VALVE SEAT		
	-	SPRING		
	-	STEAM		KIT
	503046990103	KIT-CAP		
	-	BREATHER RUBBER		
	-	STICKER-LOCK RANGE		
	-	TIE STRAP		
	-	STICKER-LOCK RANGE		
	-	CAP		
	503046990104	KIT-SHELL		KIT
	-	SHELL		
	-	STRAINER-SUCTION		
	-	PROTECTIVE CAP		
	-	STICKER-LOCK RANGE		
	-	STICKER		
	-	STICKER-LOCK RANGE		
	-	PROTECTIVE CAP		
12	257344500107	FILTER ASSY	1	FOR METALLIC TANK
12	277046609901	CARTRIDGE PLASTIC RESERVOIR BS1/2/3/4	1	FOR PLASTIC TANK
13	257344507703	COVER SEAL	1	



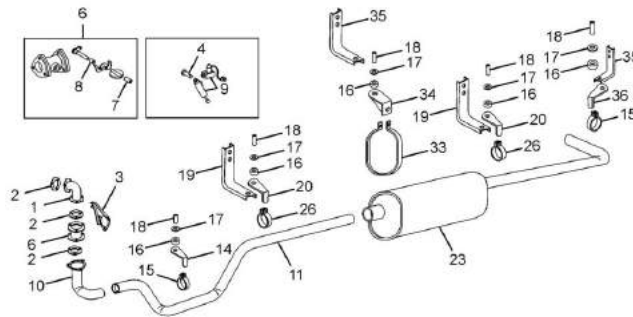
LPT2516-46-45-10-R1

K13

Updated on : Wed Mar 30 2022 20:15:02

VC No : 21715238000R Group : (49) EXHAUST SYSTEM Table : (2171473849R.01-EXHAUST SYSTEM)

Fig.	Part No	Part Description	Qty	Remarks
1	275449200132	ASSY EXHAUST PIPE	1	
2	276349205301	GASKET EXHAUST PIPE FLANGE BS1/2/3/4/6	3	
	208249200109	ASSY BRACKET (TC OUTLET)	1	
3	276349200126	ASSY BRACKET.	1	
4	275449206701	PIN	1	
6	276349200123	ASSY. EXHAUST BRAKE UNIT BS1/2/3/4	1	
7	3521441250	BUSH	1	
8	3521441350	BUSH	1	
9	264154249903	AIR CYLINDER WITH MAGNETIC VALVE BS1- 4	1	
10	216749200108	ASSY EXHAUST PIPE-FRONT	1	
11	216749200107	ASSY EXHAUST PIPE(INTERMEDIATE)	1	
14	217149203303	BRACKET (INTMEDIATE PIPE MTG.)	1	
15	257649208205	PIPE CLAMP	2	
16	257649007502	RUBBER BUFFER	10	
17	257649009202	WASHER	10	
18	257649006902	TUBE	5	
19	257649008203	BRACKET	2	
20	217149203304	BRACKET	2	
23	217149100103	ASSY MUFFELER WITH TAIL PIPE	1	FOR SELECTION
23	280949100101	ASSY. MUFFLER BS1/2/3	1	FOR SELECTION
26	275149204202	EXHAUST CLAMP	2	
35	257649000115	ASSY BRACKET	2	
34	217149208201	CLAMP	1	
33	217149204201	CLAMP (MUFFLER SUPPORT)	1	
36	217149208202	CLAMP	1	



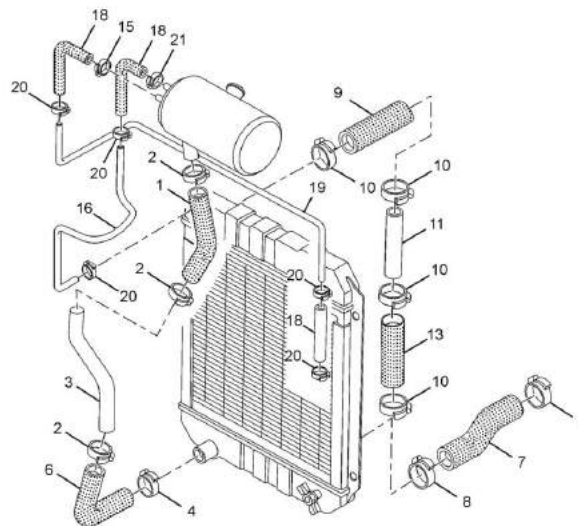
LPK 2516C-48-49 01

J08

Updated on : Wed Mar 30 2022 20:15:02

VC No : 2171523800R Group : (50) RADIATOR Table : (2786155850R.02-RADIATOR CONNECTION)

Fig.	Part No	Part Description	Qty	Remarks
1	278550105803	HOSE (20 ID x 110 L)	1	
2	14300512306	SPR BAND CLAMP 30DX12W	3	
3	278650010115	ASSY WATER FILL PIPE.	1	
4	14300512403	SPR BAND CLAMP 40DX12W	1	
6	278650115828	REDUCER HOSE (28.6 TO 20 DIA)	1	
7	278650115801	RAD. BOTTOM HOSE	1	
8	14280598217	HOSE CLAMP TB-54 SAE J 1508	2	
9	207650105805	HOSE (ENGINE TO RADIATOR INLET)	1	
10	14280599302	HOSE CLAMP TB36 SAE J1508	4	
11	278650106951	PIPE (ENGINE OUTLET TO RADIATOR INLET)	1	
13	206950105823	RUBBER HOSE (ENGINE TO RAD.INLET)	1	
15	14285000166	HOSE CLAMP 16	1	
16	278650126907	VENT TUBE(ENG TO AUX.WATER TANK)	1	
19	252550105894	HOSE (550 LONG)	1	
	14280599272	HOSE CLAMP SLTB 72 BS1/2/3/4/6	4	
	278650105845	HOSE (6 ID X 55 LONG)	1	
	14300512306	SPR BAND CLAMP 30DX12W	2	
18	278650105838	RUBBER HOSE (6 IDX80 LONG)	2	
20	14300512144	SPR. BD CLAMP 14DX12W	5	
21	14300512152	SPR. BD CLAMP 15DX12W	1	



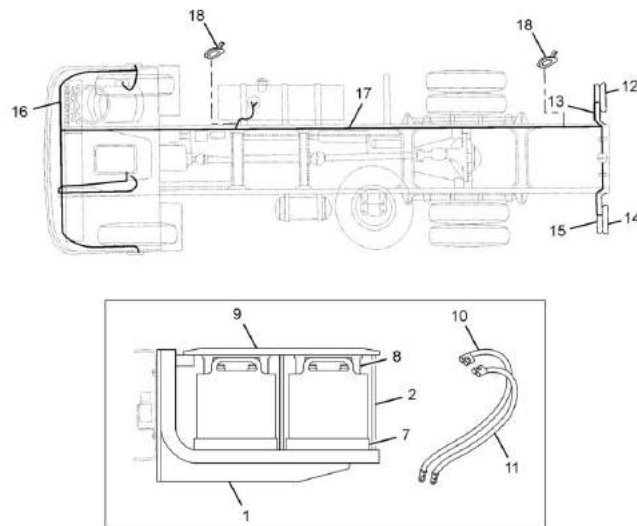
LPS-4019C BS-II CAB VERSION-2786155850R.02

C10

Updated on : Wed Mar 30 2022 20:15:02

VC No : 2171523800R Group : (54) ELECTRICALS Table : (2157341654R.01-CABLE SET AND ROUTING)

Fig.	Part No	Part Description	Qty	Remarks
1	278454100103	ASSY SUPPORT BATTERY	1	
2	278254103201	CLAMPING STUD	4	
7	278254106301	BATTERY TRAY (PLASTIC)	2	
8	216154100109	ASSY BATT.COVER PLASTIC	2	
9	278454108201	CLAMP TOP (BATTERY CLAMPING)	2	
10	215754110101	ASSY BATTERY CABLE -VE(BATTERY TO BCS)	1	
11	215754100127	ASSY BATTERY CABLE VE 50SQMM 2010MM	1	
	208254100108	ASSY BATT CABLE (LINK)-50SQMM - (200MM)	1	
12	261854440102	ASSY. TAIL LAMP RH 24V BS1/2/3/4	1	
13	257454420116	ASSY TAIL LAMP BRACKET RH	1	
14	261854440101	ASSY. TAIL LAMP LH BS1/2/3/4	1	
15	257454420124	ASSY TAIL LAMP BRACKET LH	1	
16	217154620103	WIRING HARNESS MAIN	1	
17	217154620108	WIRING HARNESS TAIL	1	
	216754620103	WIRING HARNESS ROOF	1	
	208254820111	WIRING HARNESS ENGINE	1	
	208254620105	WIRING HARNESS BATT TAP (PIGTAIL) 24V	1	
-	261854600113	WIRING HARNESS STOP LT.SW.& LP SW.	1	For vehicle manufactured till
-	284654620153	W/H STOP LT.SW , LP SW & PR.TRANSDUCER	1	For vehicle manufactured from
	217154600101	WIRING HARNESS PIGTAIL ALTERNATOR	1	
18	257354208205	CLIP	18	



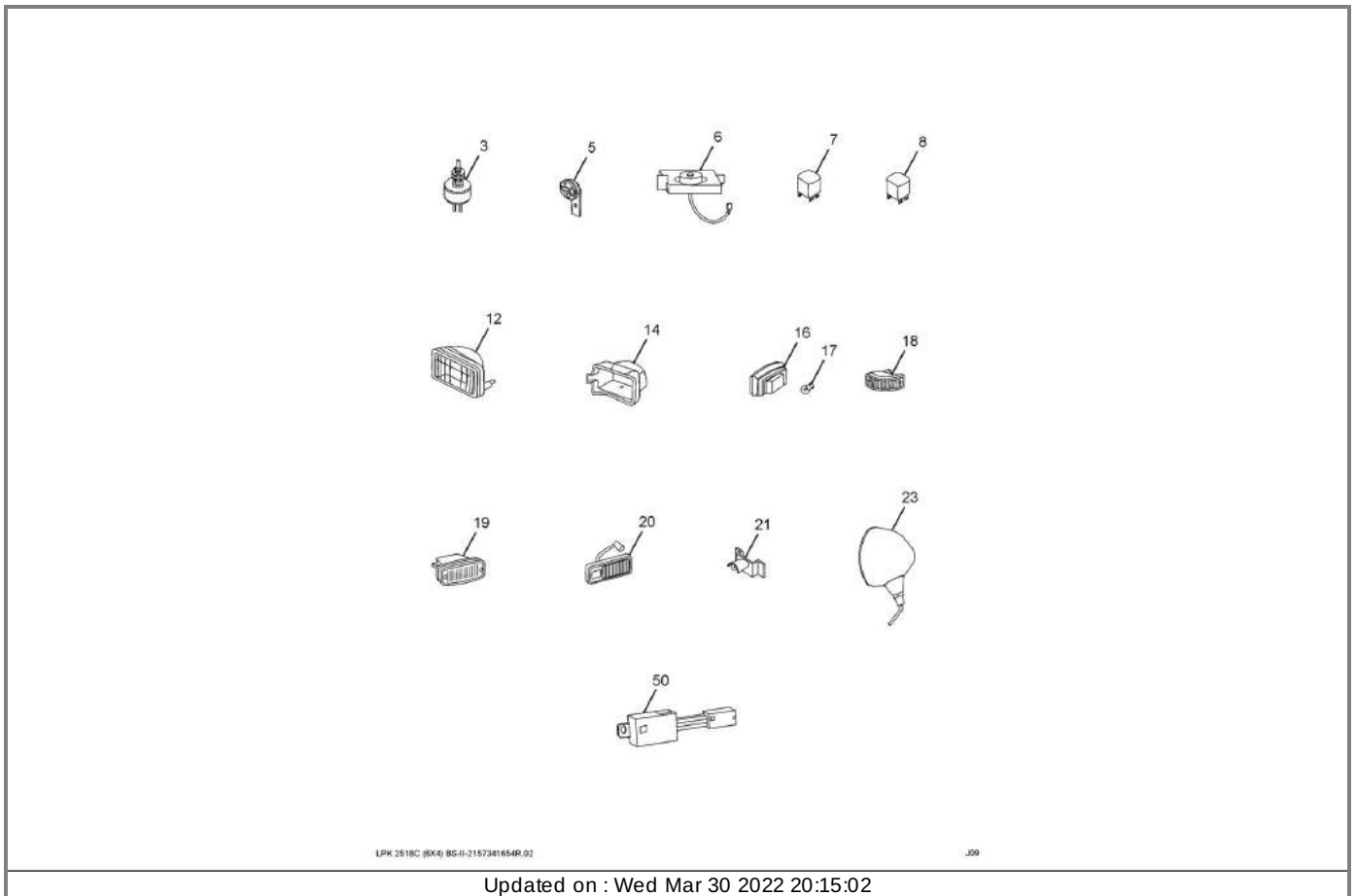
LPK 2516C (8X4) BS-II-2157342054R.01

109

Updated on : Wed Mar 30 2022 20:15:02

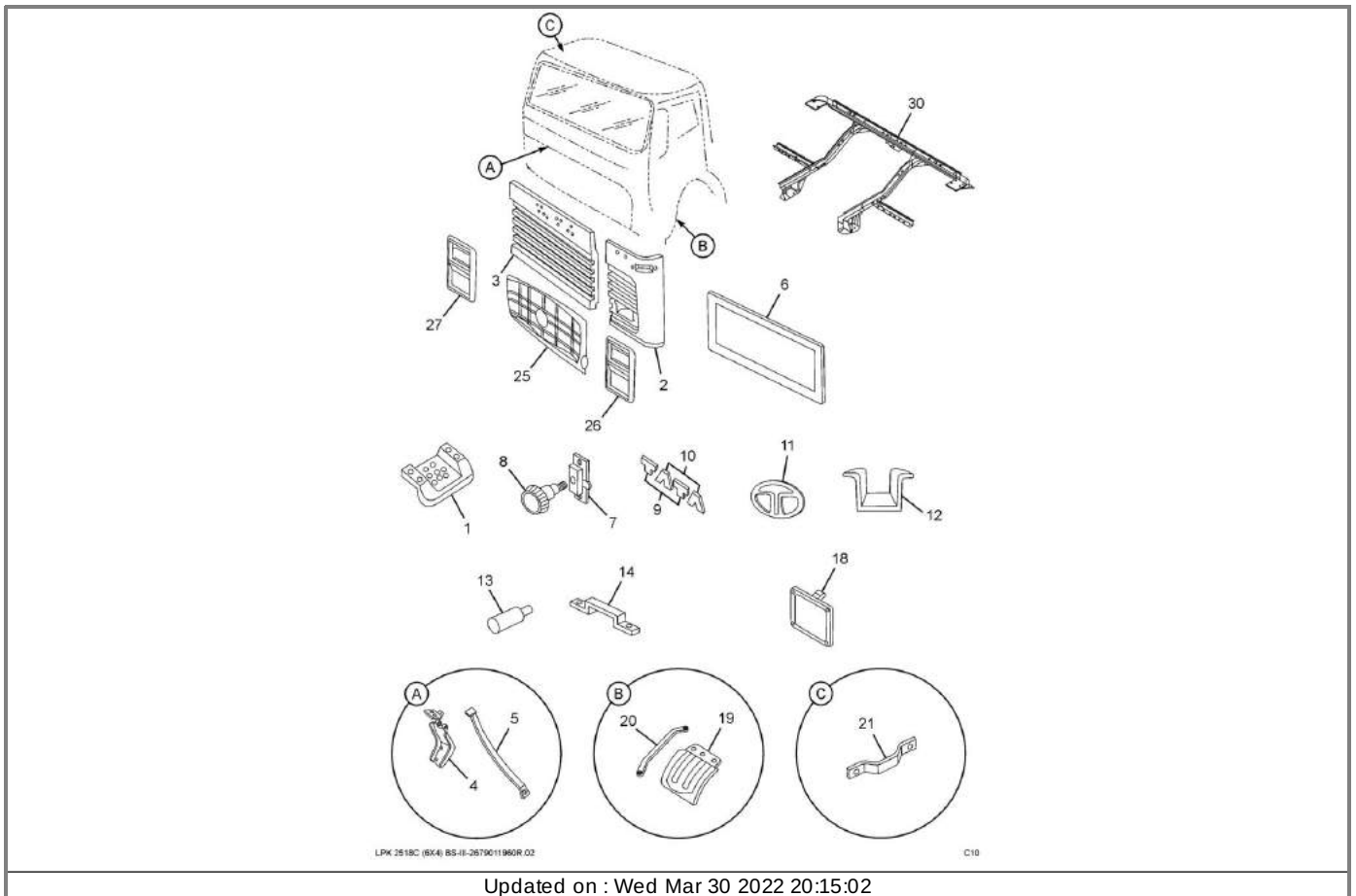
VC No : 21715238000R Group : (54) ELECTRICALS Table : (2157341654R.02-LIGHT AND SIGNAL SYSTEM)

Fig.	Part No	Part Description	Qty	Remarks
3	270254509930	STOP LIGHT SWITCH	2	
5	257354249910	HORN 24V W/O RIS CAPACITOR BS1/2/3/4	1	
6	207854209903	HIGH TEMP.BUZZER UNIT(12V/24V)	1	
7	277054244902	RELAY 24V	6	
8	260854504901	RELAY (24V)-STARTER	1	
	275154200101	ASSY BRACKET FOR ST.RELAY	1	
12	-	LAMP H/L 1.8 12VHLL 24V W/O RIM RH RHD	1	NOT SERVICED
12	-	LAMP H/L 1.8 12VHLL 24V W/O RIM LH RHD	1	NOT SERVICED
	269854409903	HOUSING CFLT MSSL PT.NO.6170 2030	2	
14	259281100131	ASSY. HEAD LAMP DOME BS1/2/3/4/6	2	
	269854500111	HEAD LAMP LEVELLING SWITCH	1	
16	257654400111	ASSY CAB LAMP	1	
17	62120510105	LAMP 24V 10W	1	
18	262554440102	ASSY. BLINKER RH WITH BULB 24V BS2/3/4	1	
18	262554440101	ASSY. BLINKER LH WITH BULB 24V BS2/3/4	1	
19	270754440118	SIDE INDICATOR LAMP LH W/BULB-24V	1	
19	270754440119	SIDE INDICATOR LAMP RH W/BULB-24V	1	
20	262554440105	ASSY TOP MARKER LAMP LH WITH BULB 24V	1	
20	262554440106	ASSY TOP MARKER LAMP RH WITH BULB 24V	1	
21	257654400121	ASSY ENGINE LAMP	1	
23	217154400101	ASSY ROUND HEAD LIGHT WITH PIG TAIL 24V	1	
	265454510123	REVERSE LIGHT SWITCH WITH PIGTAIL	1	
	215754408206	MOUNTING BRACKET - REAR ILLUMINATION LAMP	1	
50	275454209938	WATER-IN-FUEL IND-12V/24V	1	



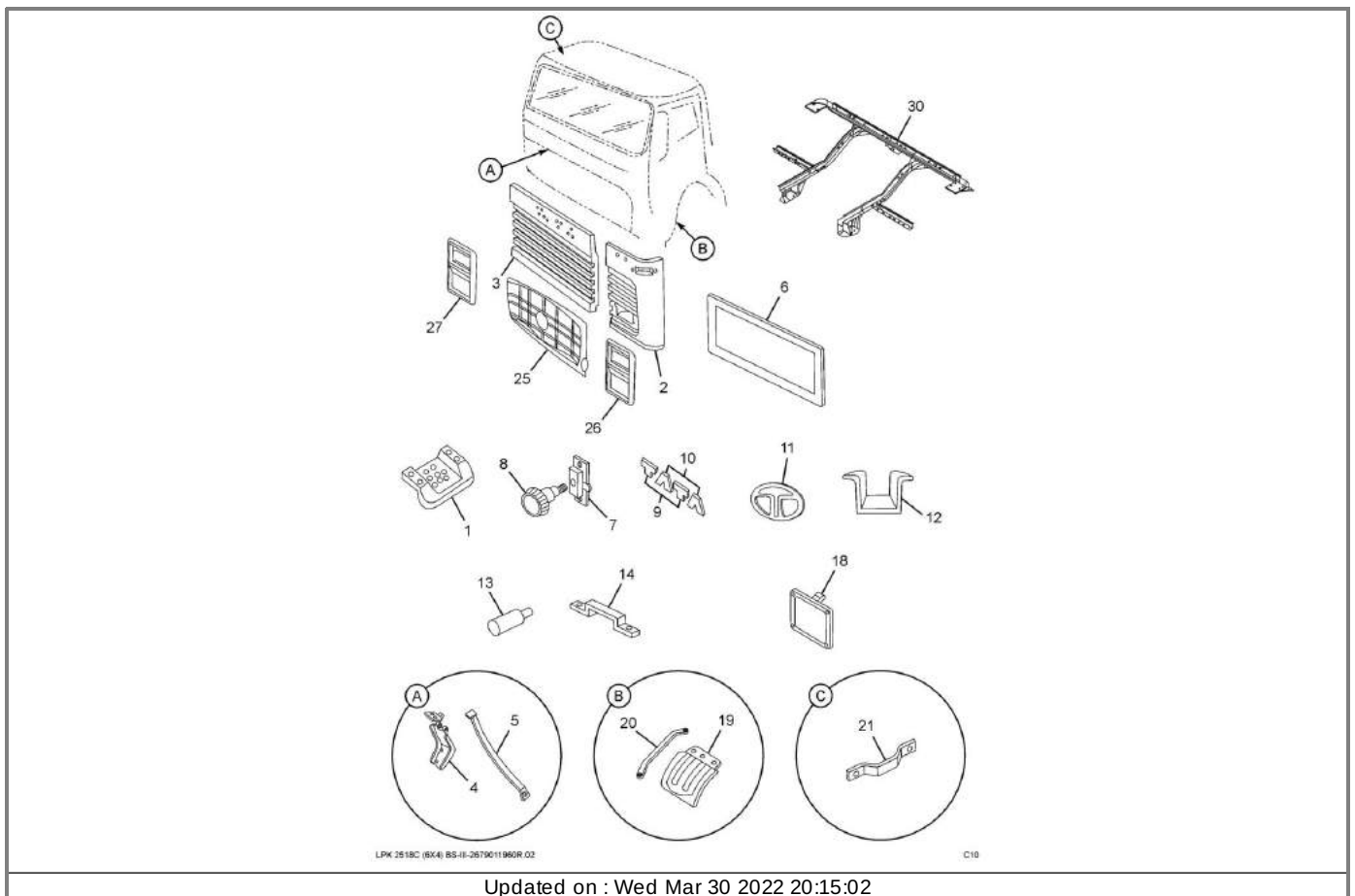
VC No : 21715238000R Group : (60) BODY Table : (2679011660R.02-CAB SHEET METAL AND FITMENTS)

Fig.	Part No	Part Description	Qty	Remarks
30	267961000121	ASSY SUBSTRUCTURE -RHD	1	
	267961600111	ASSY FLOOR PANEL LH RHD	1	
	267961600102	ASSY FLOOR PANEL RH-RHD	1	
	267961608207	FLOOR PANEL CENTRE	1	
	268062100114	ASSY FRAME FRONT-LH	1	
	268062100115	ASSY FRAME FRONT-RH	1	
1	257666608263	STEP BOARD BOTTOM	2	
12	350566068222	STEP(ADDITIONAL)	2	
	257666600120	ASSY STEP WELL COMPLETE L H	1	
	257666600121	ASSY STEP WELL COMPLETE R H	1	
2	28416250820135	PANEL FACE SIDE BOOTOM-LH+CED BS1/2/3/4	1	
2	284162508202	PANEL FACE SIDE BOTTOM-RH BS1/2/3/4	1	
	257660100176	ASSY TIE MEMBER FRONT	1	
	257662508236	OUTER PANEL,WINDSHIELD,BOTTOM BS1/2/3/4	1	
	257662608240	PANEL INNER TOP (W/S)	1	
	257662608208	PANEL INNER BOTTOM(W/S)	1	
3	28417510010135	ASSY.CENTRE FLAP WELDED + CED BS1/2/3/4	1	
25	284181100103	ASSY. GRILL COMP.(CENTRE FLAP) BS1/2/3/4	1	
26	284181106301	GRILLE SIDE LH BS1/2/3/4	1	
27	284181106302	SIDE GRILLE RH BS1/2/3/4	1	
4	275160102902	HINGE LEAF(CENTRE FLAP)	2	
	275160106701	HINGE PIN	2	
	275160103401	BUSH(CENTRE FLAP)	4	
5	274560106901	STAY ROD (CENTRE FLAP)	1	
6	257569400102	ASSY REAR WALL PADDING	1	



Updated on : Wed Mar 30 2022 20:15:02

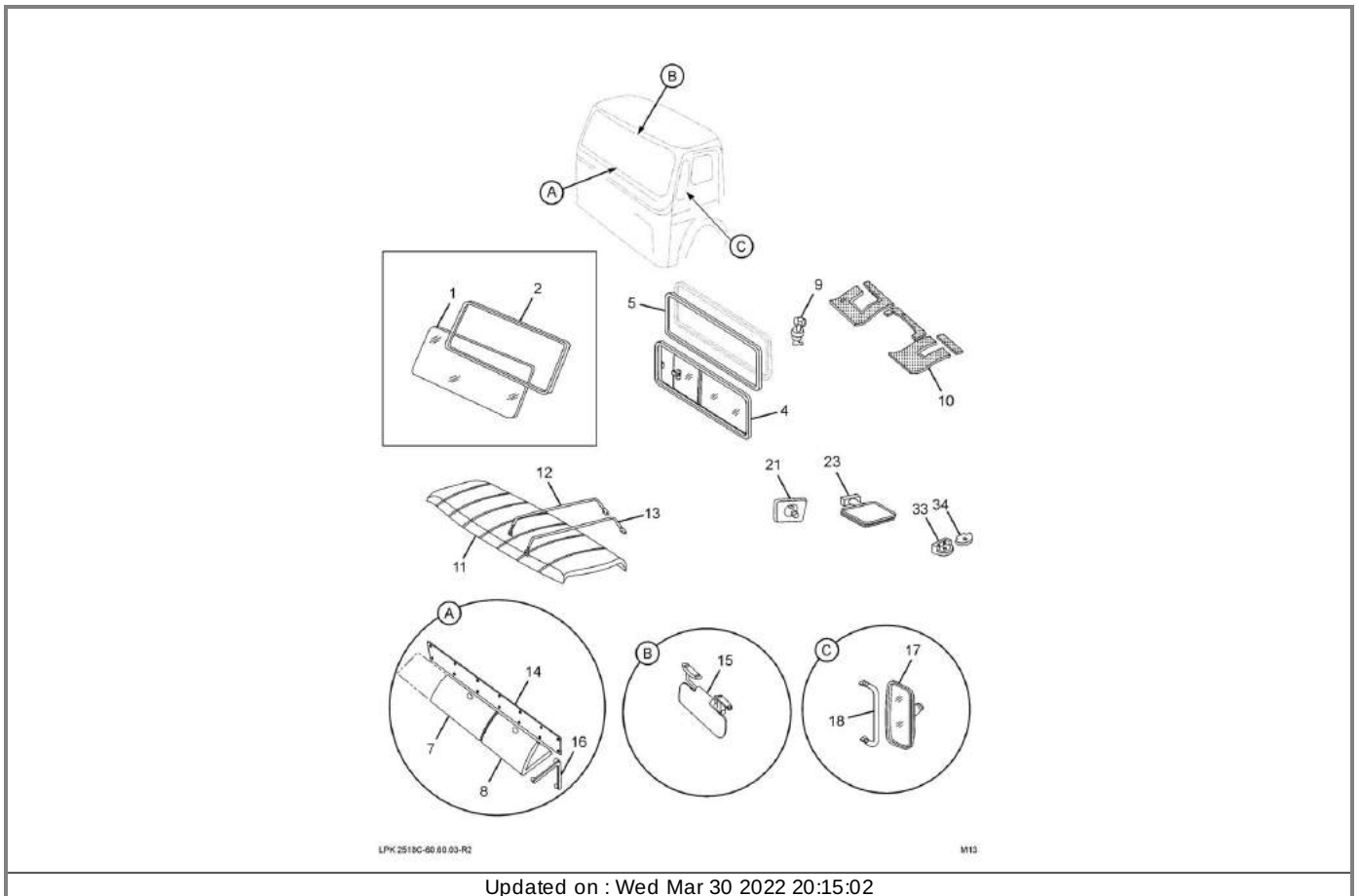
VC No : 21715238000R Group : (60) BODY Table : (2679011660R.02-CAB SHEET METAL AND FITMENTS)				
Fig.	Part No	Part Description	Qty	Remarks
7	350272300111	ASSY LOCK (CENTRE FLAP)	2	
8	206075100107	ASSY KNOB CENTRE FLAP	2	
	257675207501	BUSH CENTRE FLAP	2	
9	274275206301	LETTERT(NEW STYLISED)	2	
10	274275206302	LETTERA(NEW STYLISED)	2	
	264068809901	CLIP (MASCOT)	12	
	257675203309	BRACKET (LOCK)	2	
11	278281100109	ASSY TEMBLEM COMPLETE WITH GRILLE	1	FOR SELECTION
11	278281100109	ASSY TEMBLEM COMP WITH GRILLE(OVAL STYLISED)	1	FOR SELECTION
13	257675200109	ASSY RUBBER BUFFER	2	
14	275160105601	GRAB HANDLE (FRONT FACE)	2	
18	257683800101	ASSY VENTILATION UNIT FRONT	2	
19	268088106303	MUDGUARD FRONT LH	1	
19	268088106304	MUDGUARD FRONT RH	1	
20	257566506908	SUPPORT MUDGUARD FRT LH	1	
20	257566506909	SUPPORT(MUDGUARD FRT) RH	1	
21	257388706306	GRAB HANDLE	4	
	284188106305	MUDFLAP REAR	2	
	268061606301	EXTENSION MUDGUARD REAR LH	1	
	268061606302	EXTENSION MUDGUARD REAR RH	1	
	284181100107	ASSY ARRESTOR SPRAY SUPPRESSION	2	
	257566500102	ASSY MUDGURD LH REAR	1	
	267961600107	ASSY MUDGUARD-RH(REAR)	1	
	257666500111	ASSY SUPPORT MUD GUARD REAR LH	1	
	257666500112	ASSY SUPPORT MUD GUARD REAR RH	1	



Updated on : Wed Mar 30 2022 20:15:02

VC No : 21715238000R Group : (60) BODY Table : (2679011660R.03-CAB FITMENTS)

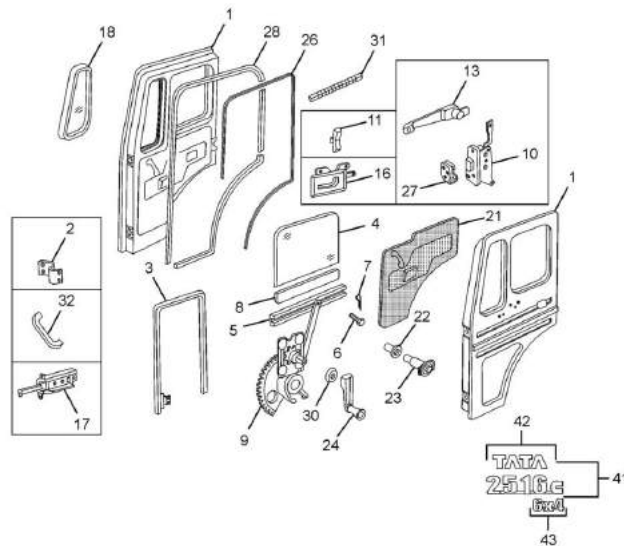
Fig.	Part No	Part Description	Qty	Remarks
1	257667102316	WINDSHIELD GLASS (1 PIECE) BS1/2/3/4	1	
2	257667106336	RUBBER MOULD(WIND SCREEN) BS1/2/3/4	1	
	257667100121	ASSY. REAR WINDOW COMPLETE BS1/2/3/4/6	1	
4	257667102323	GLASS PANE REAR WINDOW	1	
5	257667106339	RUBBER MOULD REAR WINDOW	1	
7	257668906305	LID CENTRE GLOVE BOX	1	
8	257668906304	LID SIDE GLOVE BOX	1	
9	350598080103	ASSY LOCK WITH KEY (GLOVE BOX)	1	
	275162600124	ASSY HINGE(DASH BOARD LIDS)	4	
10	267968400105	ASSY COMPOSITE FLOOR MAT RHD	1	
11	257669500103	ASSY ROOF LINING	1	
12	257669606010	ROOF BOW MIDDLE	4	
13	257669606012	ROOF BOW CENTRE	3	
14	257569200101	ASSY PADDING(DASH BOARD)	1	
15	257581100101	ASSY SUNVISOR RH	1	
15	257581100102	ASSY SUNVISOR LH	1	
16	257681500119	ASSY GRAB HANDLE (DASH BOARD)	2	
17	257681100152	ASSY. ORVM RH BS1/2/3/4/6	1	
17	257681100153	ASSY. ORVM LH BS1/2/3/4/6	1	
18	257681100106	ASSY TUBULAR FRAME (REAR VIEW MIRROR)	2	
21	268081100125	ASSY. CLOSE PROXIMITY MIRROR BS1/2/3/4	1	
23	274781100119	ASSY. ORVM WIDE ANGLE BS1/2/3/4	1	
33	257681103301	BRACKET(LOWER) TOP MTG (REAR VIEW MIRROR)	2	
34	257681103302	BRACKET(LOWER) BOTTOM MTG (REAR VIEW MIRROR)	2	
	257681106332	REFLECTIVE TAPE-CENTRE(WHITE)	1	



Updated on : Wed Mar 30 2022 20:15:02

VC No : 21715238000R Group : (60) BODY Table : (2631023272R.01E-DOOR AND FITMENTS)

Fig.	Part No	Part Description	Qty	Remarks
1	25767220016535	ASSY. DOOR SHELL LH + CED BS1/2/3/4	1	
1	25767220015935	ASSY. DOOR SHELL RH + CED BS1/2/3/4	1	
	25766210014735	ASSY DOOR POST LH + CED + Sealant	1	
	25766210014835	ASSY DOOR POST RH + CED + Sealant	1	
2	257672300152	ASSY HINGE COMPLETE	4	
	268072500112	ASSY DOOR BEADING OUTER	2	
	268072500114	ASSY WEATHER STRIP INNER LH	2	
	268072500115	ASSY WEATHER STRIP INNER RH	2	
3	257672500148	ASSY. FRAME COMP. REG.WINDOW BS1/2/3/4/6	2	
4	257672502303	GLASS PANE REG. WINDOW BS1/2/3/4/6	2	
5	257672500143	ASSY DOOR GLASS HOLDER	2	
6	257672506716	PIN (GLASS HOLDER)	4	
7	13150606149	SPLIT PIN 2X14	4	
8	257672502512	RUBBER PROFILE	2	
9	265172500130	WINDOW REGULATOR LH BS1/2/3/4/6	1	
9	265172500131	WINDOW REGULATOR RH BS1/2/3/4/6	1	
10	265172300111	ASSY. DOOR LOCK COMP. LH BS1/2/3/4/6	1	
10	265172300112	ASSY. DOOR LOCK COMP. RH BS1/2/3/4/6	1	
11	257672315602	KNOB	2	
13	265172300139	ASSY. OUTER DOOR HANDLE RH BS1/2/3/4	1	
13	265172300157	DOOR HANDLE OUTER LH	1	
16	265872300127	ASSY INNER HANDLE	2	
17	265872300199	ASSY DOOR CHECK FRONT	1	
18	257672500130	TURNING WINDOW COMPLETE LH	1	
18	257672500131	TURNING WINDOW COMPLETE RH	1	



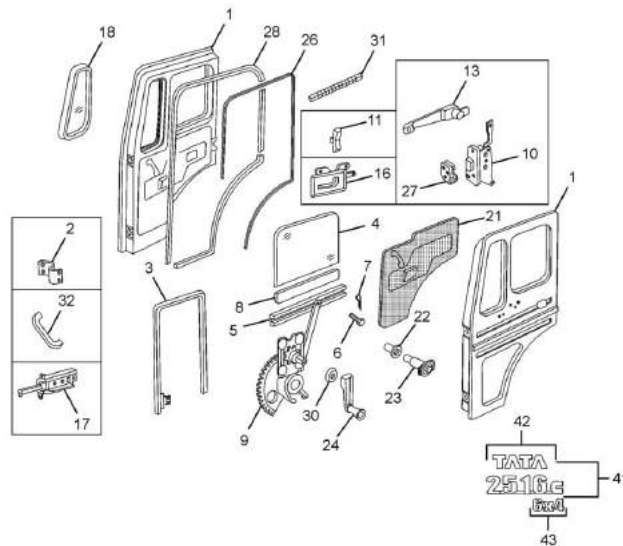
LPK2516C LHD E-46 72.01

008

Updated on : Wed Mar 30 2022 20:15:02

VC No : 21715238000R Group : (60) BODY Table : (2631023272R.01E-DOOR AND FITMENTS)

Fig.	Part No	Part Description	Qty	Remarks
	206098709903	RUBBER PROFILE (TURNING WINDOW)	1	
	268072306304	RUBBER BEADING-TURNING WINDOW	1	
	268072502302	GLASS PANE(QUARTER WINDOW)	2	
	268072306306	RUBBER MOULD FIXED QUARTER GLASS BS1- 6	1	
	268072306306	RUBBER MOULD FIXED QUARTER GLASS BS1- 6	1	
21	257572700102	ASSY. DOOR PADDING LH BS1/2/3/4	1	
21	257572700101	ASSY. DOOR PADDING RH BS1/2/3/4	1	
22	265472706310	DOOR PAD CLIP (TOP CAB)	24	
23	265472706307	DOOR PAD CLIP (BOTTOM)	24	
24	265472300162	ASSY. HANDLE WINDOW REGULATOR	2	
26	268072306303	SEALING OUTER DOOR-M/S PULSAR	2	
27	257672318204	STRIKER LH	1	
27	257672318205	STRIKER RH	1	
	257672316711	MOUNTING PIN (STRIKER)	2	
28	268072306323	DOOR SEAL PRIMARY	2	
30	-	SPACER HANDLE WINDOW REGULATOR	2	SERVICED UNDER P/N 26807231010
31	268072500112	ASSY DOOR BEADING OUTER M/S NER	4	SERVICEABLE UNDER P/N 26807250
32	265172506316	GRAB_HANDLE_DOOR	2	
41	275181800112	ASSY TATA 2516 C 6X4 MASCOT	1	
42	278281800107	ASSY TATA MASCOT	1	
43	275281800110	ASSY 6X4 MASCOT	1	
	278281106303	STICKER TURBO-INTERCOOLER	1	
	267981900109	ASSY ENGINE SHIELDING LH RHD	1	
	267981900110	ASSY ENGINE SHIELDING RH RHD	1	
	265472706317	MAGAZINE POCKET LH DARK GRAY BS1/2/3/4	1	



LPK2516C LHD E-46 72.01

008

Updated on : Wed Mar 30 2022 20:15:02

VC No : 21715238000R Group : (60) BODY Table : (2157342182R.01A-WIPER ARRANGEMENT)				
Fig.	Part No	Part Description	Qty	Remarks
1	284182409901	WIPER MOTOR. 17W, 24V (HI-POWER)	1	
	276782400102	ASSY. WIPER BLADE & SUP. ARM(RHD) BS1- 6	1	
3	257682400125	ASSY WIPER ARM (DRIVER)	1	
4	257682400128	ASSY. WIPER BLADE (DRIVER) BS1/2/3/4/6	1	
20	257682400126	ASSY SUPPORT ARM	1	
	276782400103	ASSY. WIPER ARM & BLADE (CODRIVER) BS1-6	1	
21	257682400127	ASSY WIPER ARM (CODRIVER)	1	
22	257682400129	ASSY. WIPER BLADE CO-DRIVER BS1/2/3/4/6	1	
5	276782409902	LINK ROD (440 MM)	1	
6	257682409905	LINK ROD (205MM)	1	
7	12080801007	HEX THIN NUT M10	2	
8	12080899023	HEX THIN NUT M10 LH	2	
9	276782408201	BRACKET MOTOR MOUNTING	1	
19	0009971881J	RUBBER GROMMET	4	
10	0429920020J	SLEEVE	4	
	265182409952	BALL PIN	1	
	265182407501	RUBBER WASHER	1	
2	276782400101	KIT-ACCESSORIES WIPER BS1/2/3	1	
	-----	CONSISTS OF :		
	-----	WIPER MOTOR CONNECTOR	1	
	-----	LINK END ASSY RH	2	
	-----	LINK END ASSY LH	2	
	-----	SPACER	2	
	-----	WHEEL BOX	2	
13	219482409901	ELECTRIC WIND SHIELD WASHER KIT 24V	1	

