



Commercial Vehicle Business Unit

Product Spare Parts Catalogue

Model	FULL FORWARD CONTROL CHASSIS WITH SLEEPER CAB, 4X2 RHD, 6BT CUMMINS EURO-II, 24 VOLTS BIPOLAR, WHEEL BASE 3200MM
Model Category	HCV-III : (40 TONS TO 55 TONS)
VC No	20820132000R
Chassis Type	447205
Engine Type	6BTAA 180HP CUMMINS EURO-II
Fuel Type	



Updated on: Thu May 5 2022 20:15:02

Table Of Contents

Table Of Contents	1
ENGINE	4
00.01.01A-ENGINE	4
00.01.02-ENGINE OVERHAUL KIT	5
00.01.03-ENGINE GASKET KIT	6
00.01.04-CYLINDER BLOCK	8
00.01.05-OIL PAN	9
00.01.06-FRONT GEAR COVER	10
00.01.07-CYLINDER HEAD	11
00.01.08-VALVE COVER	12
00.01.09-AIR INTAKE HEATER	13
00.01.11-CAM FOLLOWER COVER	14
00.01.12-AIR INTAKE CONNECTION	15
00.01.13-OIL FILL LOCATION	16
00.01.14-DIPSTICK	17
00.01.15A-FITMENTS ON ENGINE	18
IC90110.01.07P-INTAKE MANIFOLD	19
00.03.01-CRANKSHAFT AND MAIN BEARING	20
00.03.02-CONNECTING ROD AND PISTON	22
00.03.03A-VIBRATION DAMPER	24
00.03.04-FLYWHEEL AND FLYWHEEL HOUSING	25
00.03.05-SPACER BEARING (CLUTCH REAR)	26
00.05.01-CAM SHAFT AND TAPPETS	27
00.05.02-ROCKER LEVER	28
00.07.01-FUEL PUMP COUPLING	29
00.07.02A-FUEL INJECTION PUMP	30
00.07.03-FUEL TRANSFER PUMP	31
00.07.04-FUEL LINES	32
00.07.05-PLUMBING FUEL FILTER	33
00.07.06A-ACCESSORIES FUEL	34
00.07.07-PLUMBING, AIR FUEL	35
00.07.08-INJECTOR	36
00.09.01-FUEL FILTER	37
00.09.02-ENGINE VENT PLUMBING	38
00.09.03-AIR FILTER	39
00.13.01-AIR COMPRESSOR	40
00.13.02-REPAIR KIT FOR AIR COMPRESSOR	41
00.13.03-COVER AIR COMPRESSOR	42
00.14.01-EXHAUST MANIFOLD AND MOUNTING	43
00.14.02-TURBOCHARGER	44
00.14.03-TURBOCHARGER AND PLUMBING	45
00.14.04-CONNECTION AIR INTAKE	46
00.14.05-CONNECTION EXHAUST OUTLET	47
00.14.06-INTERCOOLER AND INTERCOOLER CONNECTION	48
00.15.01A-STARTER MOTOR	49
00.15.02A-ALTERNATOR AND ALTERNATOR LOCATION	50
00.15.03-ALTERNATOR MOUNTING	51
00.18.01-LUBRICATING OIL COOLER/OIL FILTER	52
00.18.02-OIL PUMP	53
00.20.01-THERMOSTAT	54
00.20.02A-WATER PUMP	55
00.20.03A-FAN AND FAN DRIVE	56
00.20.04-CLUTCH VISCOUS FAN	57
00.22.01-ENGINE LIFTING	58
00.24.01A-ENGINE MOUNTING	59
00.25.01-CLUTCH	60
GEARBOX	63
26.26.01-GEARBOX, HOUSING AND COVER (G 600)	63
26.26.02-TOP COVER	65
26.26.03-SHIFTER SHAFT AND FORK	67
26.26.04-DRIVE SHAFT	68
26.26.05-MAIN SHAFT AND GEARS	69
26.26.06-COUNTER SHAFT, GEARS AND REVERSE GEAR	73
26.26.07-GEAR SHIFT LINKAGE	74
CONTROLS	75

29.29.01-PEDALS	75
ACCELERATOR	78
30.30.01-ACCELERATOR CONTROLS	78
FRAME	79
31.31.01-FRAME	79
SUSPENSION	81
32.32.01-FRONT SPRING	81
32.32.02-FRONT SHOCK ABSORBER AND MOUNTING	83
32.32.03-ANTI ROLL BAR	84
32.32.04-REAR SPRING AND SUSPENSION	85
FRONT AXLE	86
33.33.01-FRONT AXLE (W/O ABS BRAKES)	86
FIFTH WHEEL COUPLING	90
208 2013234R.02-SPARE KIT FOR FIFTH WHEEL COUPLING	90
34.34.01-FIFTH WHEEL COUPLING	92
REAR AXLE	93
35.35.01-REAR AXLE (W/O ABS BRAKES)	93
35.35.02-REAR AXLE (W/O ABS BRAKES)	97
WHEELS	99
40.40.01-WHEELS	99
PROPELLER SHAFT	100
41.41.01-PROPELLER SHAFT	100
BRAKES	101
42.42.01-FRONT WHEEL BRAKE S-CAM (BIL)	101
42.42.02-FRONT WHEEL BRAKES(AAL)	105
42.42.03-REAR WHEEL BRAKES(BIL)	108
42.42.04-REAR WHEEL BRAKES(AAL)	110
42.42.05-BRAKE AGGREGATES AND PIPES (W/O ABS BRAKES)	112
42.42.07-FRONT BRAKE CHAMBER	115
42.42.08-REAR BRAKE ACTUATOR(SCL)	117
42.42.09-REAR BRAKE ACTUATOR(KB)	120
42.42.10-SLACK ADJUSTER	121
42.42.11-DRYING AND DISTRIBUTION UNIT (SCL)	122
42.42.13-HAND CONTROL VALVE(SCL)	126
42.42.15-DUAL BRAKE VALVE(SCL)	128
42.42.17-TRAILER CONTROL VALVE	130
42.42.18-AUTOMATIC LOAD SENSING VALVE	133
STEERING	135
46.46.01A-STEERING LINKAGES	135
46.46.02A-STEERING AGGREGATES AND PIPELINES	137
46.46.03-STEERING GEAR BOX(RANE)	140
46.46.04-STEERING GEAR BOX(CHINA STEERING SYSTEM)	143
46.46.05-REPAIR KIT- POWER STEERING GEAR BOX (ZF)	145
46.46.06-STEERING PUMP(CHINA)	146
46.46.07-POWER STEERING HYDRAULIC TANK (ZF)	147
46.46.08-POWER STEERING HYDRAULIC TANK (RANE)	148
46.46.09-POWER STEERING HYDRAULIC TANK (CHINA)	150
FUEL SYSTEM	151
47.47.01A-FUEL SYSTEM	151
EXHAUST SYSTEM	153
49.49.01A-EXHAUST SYSTEM	153
RADIATOR	154
50.50.01-RADIATOR	154
50.50.02-RADIATOR CONNECTION	156
ELECTRICALS	157
54.54.01A-CABLE SET AND ROUTING	157
54.54.02A-LIGHT AND SIGNAL SYSTEM	159
54.54.03-ELECTRICAL EQUIPMENT OLD VERSION (INSTRUMENT PANEL)	161
54.54.04A-ELECTRICAL EQUIPMENT (INSTRUMENT CLUSTER)	163
BODY	164
60.60.01-SLEEPER CAB	164
60.60.03-CAB SHEET METAL AND FITMENTS	165
60.60.04-CAB FITMENTS	167
60.72.01-DOOR AND FITMENTS	169
60.82.01-WIPER ARRANGEMENT	171
60.88.01-BUMPER, ENGINE HOOD, FENDER, WHEEL ARCH	173
60.89.01A-CAB MOUNTING	175



60.91.01-SEAT AND SEAT BELTS 176

VC No : 20820132000R Group : (00) ENGINE Table : (00.01.01A-ENGINE)				
Fig.	Part No	Part Description	Qty	Remarks
	278601010129	ASSY ENGINE COMPLETE 6BTAA 180HP 24V	1	FOR BIPOLAR VEHICLE
	278601990117	LONG BLOCK 6BT EURO2 BS2/3 EURO2	1	FOR ROTARY FIP

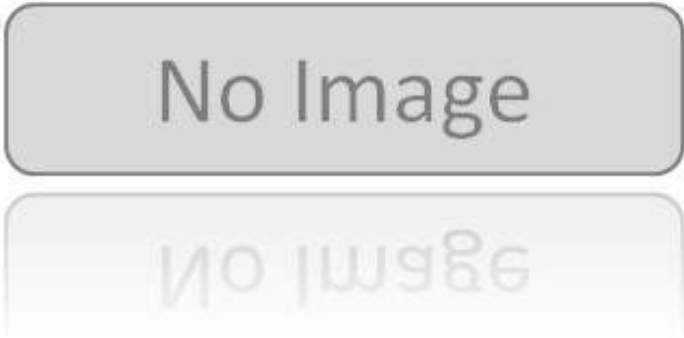
No Image



Updated on : Thu May 5 2022 20:15:02

VC No : 20820132000R Group : (00) ENGINE Table : (00.01.02-ENGINE OVERHAUL KIT)

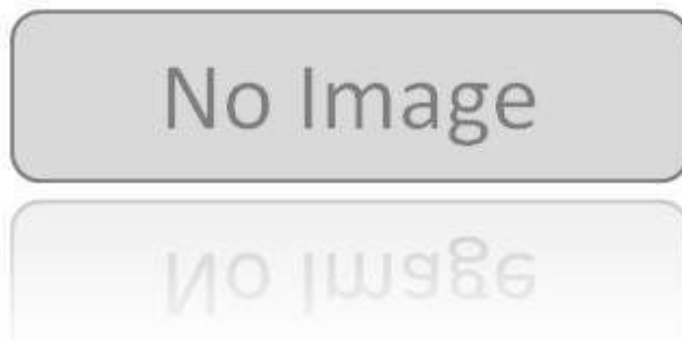
Fig.	Part No	Part Description	Qty	Remarks
-	885401052516	KIT-ENGINE OVERHAUL W/O VLV 6BT BS1/2/3	1	
-	-----	CONSISTING OF:		
-	-	BARE PISTON SET STD	1	
-	-	SET OF PISTON RINGS STD	1	
-	-	SLEEVE SALVAGE	6	
-	-	SET OF MAIN BEARING RS I	1	
-	-	SET CON ROD BEARING STD	1	
-	-	BUSH CON ROD	6	
-	-	BUSHING CAM	1	
-	-	VALVE COLLET	24	
-	-	PLUG EXPANSION	1	
-	-	ENGINE GASKET KIT UPPER	1	
-	-	ENGINE GASKET KIT LOWER	1	
-	-	CATRIDGE LUB OIL FILTER	1	



Updated on : Thu May 5 2022 20:15:02

VC No : 20820132000R Group : (00) ENGINE Table : (00.01.03-ENGINE GASKET KIT)

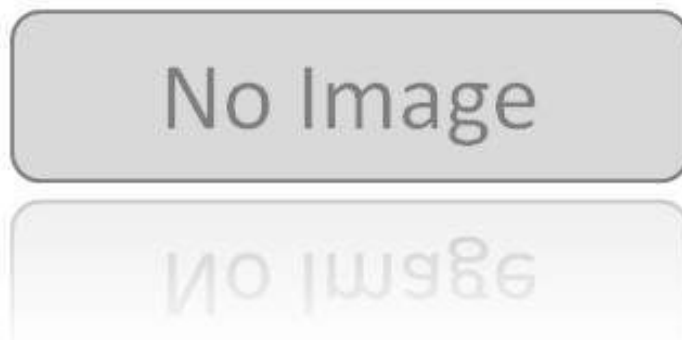
Fig.	Part No	Part Description	Qty	Remarks
	278620999933	SET-UPPER ENGINE GASKET BS1/2/3	1	
	-----	SEAL O RING (BIG)	1	
	-----	SEAL O RING (SMALL)	1	
	-----	WASHER SEALING	6	
	-----	WASHER SEALING	4	
	-----	WASHER SEALING	4	
	-----	SEAL RECTANGULAR RING	1	
	-----	GASKET CONNECTION	1	
	-----	SEAL O RING	2	
	-----	GASKET CONNECTION	2	
	-----	GASKET OIL DRAIN	1	
	-----	SEAL VALVE STEM	6	
	-----	GASKET TURBOCHARGER	1	
	-----	SEAL BANJO CONNECTOR	6	
	-----	SEAL RECTANGULAR RING	6	
	-----	SEAL VALVE STEM	6	
	-----	GASKET EXHAUST MANIFOLD	6	
	-----	GASKET INT. MANIFOLD COVER	1	
	-----	WASHER SEALING	2	
	-----	GASKET CYLINDER HEAD	1	
	-----	ISOLATOR NOISE	6	
	-----	GASKET VALVE COVER	6	
	-----	SEAL INJECTOR	6	
	278601999993	SET-LOWER ENGINE GASKET BS1/2/3	1	
	-----	SEAL O RING	1	



Updated on : Thu May 5 2022 20:15:02

VC No : 20820132000R Group : (00) ENGINE Table : (00.01.03-ENGINE GASKET KIT)

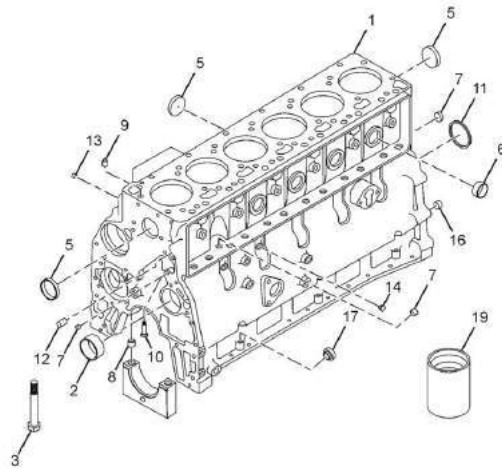
Fig.	Part No	Part Description	Qty	Remarks
	-----	GASKET PUSH ROD COVER	1	
	-----	SEAL GROMMET	6	
	-----	KIT OIL SEAL	1	
	-----	GASKET REAR COVER	1	
	-----	GASKET REAR HOUSING	1	
	-----	SEAL O RING	1	
	-----	SEAL O RING	1	
	-----	SEAL RECTANGULAR RING	1	
	-----	GASKET GEAR COVER	1	
	-----	SEAL OIL	1	
	-----	GASKET COVER PLATE	2	
	-----	GASKET FILTER HEAD	1	
	-----	GASKET LUB COOLER	1	
	-----	SEAL RECTANGULAR RING	1	
	-----	SEAL O RING	1	
	-----	SEAL O RING	1	
	-----	WASHER SEALING	1	
	-----	WASHER SEALING	1	
	-----	GASKET FLANGE	1	
	-----	SEAL RECTANGULAR RING	1	
	-----	SEAL RECTANGULAR RING	1	
	-----	NOZZLE PISTON COOLING	6	



Updated on : Thu May 5 2022 20:15:02

VC No : 20820132000R Group : (00) ENGINE Table : (00.01.04-CYLINDER BLOCK)

Fig.	Part No	Part Description	Qty	Remarks
1	278601990110	BLOCK CYLINDER 6BT BS1/2/3	1	
2	278601993402	BUSHING	1	
2	278605999934	BUSHING (OVERSIZE FOR NO. 1 BORE)	1	REPAIR PURPOSE
2	278607999980	BUSHING (OVERSIZE FOR NO.2-6 BORE)	5	REPAIR PURPOSE
3	278601999903	SCREW HEX. HEAD CAP M 14 X2.0X119	14	
5	278601989936	PLUG EXPANSION	6	
6	278601999906	PLUG EXPANSION	4	
7	278601999907	PLUG EXPANSION	3	REPAIR PURPOSE
8	278601999914	DOWEL RING M 18X10	14	
9	278601999908	DOWEL RING M 16X10	2	
10	278618999934	NOZZLE PISTON COOLING	6	
11	278601999910	PLUG EXPANSION	1	
12	278601999911	DOWEL PIN M 10X16	2	
13	278601999945	PLUG PIPE	1	
14	278601999913	PLUG PIPE	1	
16	278601999914	DOWEL RING	2	
17	278601999915	PLUG EXPANSION	2	
19	278601999916	CYLINDER LINER W/COLLAR B5.9 BS2/3/4	6	REPAIR PURPOSE
-	278605999937	PLUG,EXPANSION	1	

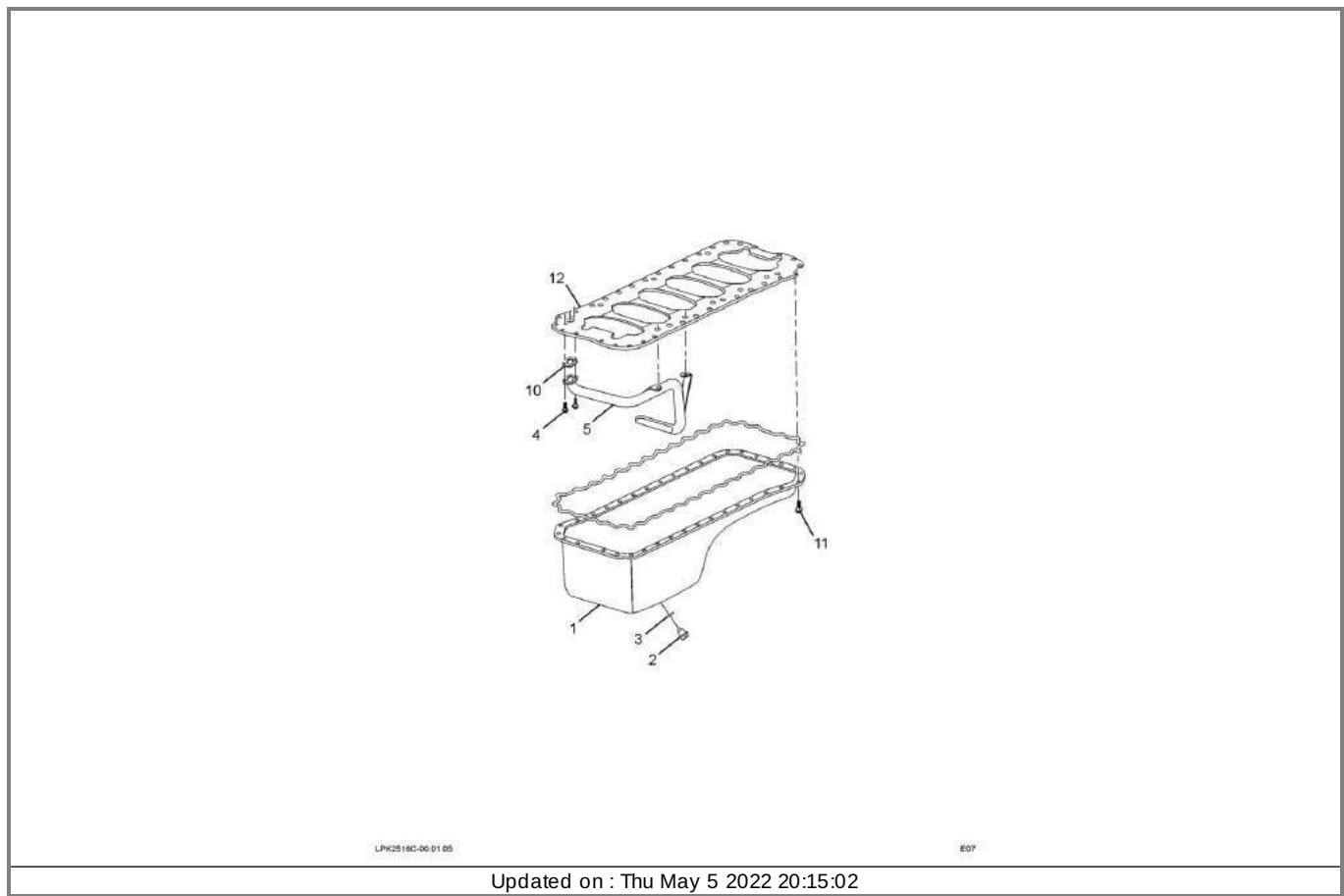


LPK2516C-06-01-04

E07

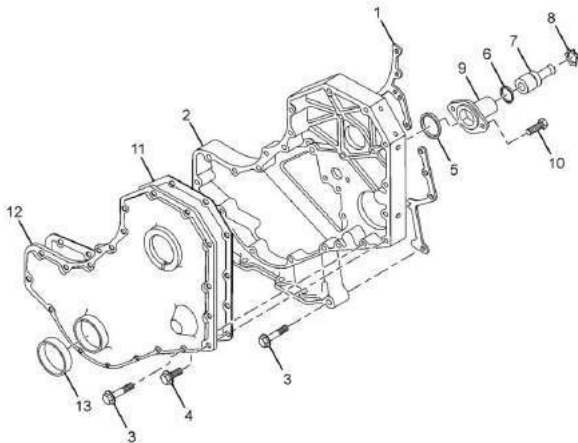
Updated on : Thu May 5 2022 20:15:02

VC No : 20820132000R Group : (00) ENGINE Table : (00.01.05-OIL PAN)				
Fig.	Part No	Part Description	Qty	Remarks
1	278618999935	PAN OIL BS1/2/3/4	1	
2	278618999919	PLUG THREADED M8 X 1.50	1	
3	278601997702	WASHER SEALING	1	
4	278613998001	SCREW HEX. FLANGE HEAD CAP M8X1.25X20	4	
5	278618999922	CONNECTION OIL SUCTION	1	
10	278618995303	GASKET FLANGE BS1/2/3/4	1	
11	278601998002	SCREW HEX. FLANGE HEAD CAP M 8XX1.25X25	36	
12	278618999927	PLATE CYLINDER BLOCK STIFFNER (BED PLATE)	1	



VC No : 20820132000R Group : (00) ENGINE Table : (00.01.06-FRONT GEAR COVER)

Fig.	Part No	Part Description	Qty	Remarks
1	278607999918	GASKET GEAR HSG BS1/2/3/4	1	
2	278605990108	HOUSING GEAR BS1/2/3	1	
3	278603999926	SCREW HEX. FLANGE HEAD CAP M 8X1.25X50	11	
4	278603999927	SCREW HEX. FLANGE HEAD CAP M 8X1.25X16	16	
5	278603999928	SEAL RECTANGULAR RING	1	
6	278603999930	SEAL O RING	1	
7	278603999931	PIN TIMING	1	
8	278603999932	RING RETAINING	1	
9	278603999933	HOUSING TIMING PIN	1	
10	278607999954	SCREW ROUND HEAD CAP M 5X0.8X17	2	
11	278607989921	GASKET GEAR COVER BS2/3/4	1	
12	278601989902	COVER GEAR	1	
13	-	SEAL OIL	1	NOT SERVICED



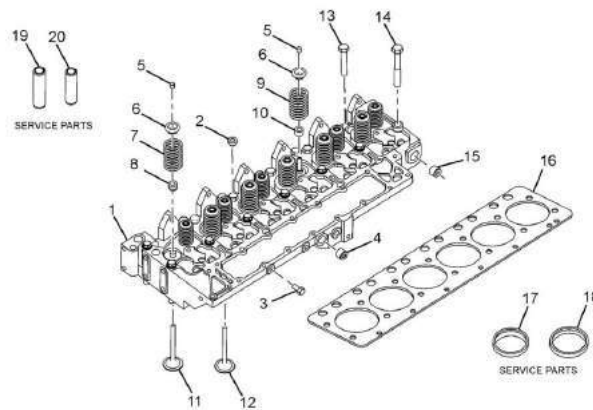
LPK2516C-06-01-05

E07

Updated on : Thu May 5 2022 20:15:02

VC No : 20820132000R Group : (00) ENGINE Table : (00.01.07-CYLINDER HEAD)

Fig.	Part No	Part Description	Qty	Remarks
1	278601990112	ASSY. CYLINDER HEAD W/VALVES BS1/2/3	1	
2	278601999920	PLUG EXPANSION	5	
3	278601999913	PLUG PIPE	2	
4	278601999945	PLUG PIPE	5	
5	278601999925	COLLET VALVE	24	
6	278605999960	RETAINER VALVE SPRING	12	
7	278601999912	SPRING COMPRESSION	6	
8	278605999959	OIL SEAL (VALVE STEM) BS1/2/3/4	6	
9	278601999921	SPRING VALVE	6	
10	278605999959	OIL SEAL (VALVE STEM) BS1/2/3/4	6	
-	885401012786	VALVE KIT 6BT BS II	1	
	-----	Consists of:		
11	278601999926	VALVE,INTAKE 6BT BS1/2/3	6	
12	278601999928	VALVE,EXHAUST 6BT 125/230HP BS1/2/3	6	
13	278601999929	SCREW HEX. HEAD CAP	6	
14	278601999930	SCREW HEX. HEAD CAP	14	
15	278601999944	PLUG PIPE	1	
16	278601990118	GASKET,CYLINDER HEAD 6BT BS1/2/3/4	1	
16	278601999932	GASKET,CYL. HEAD RS1 0.25MM 6BT BS2/BS3	1	SERVICE PART
16	278601999933	GASKET,CYLINDER HEAD 6BT BS1/BS2	1	SERVICE PART
17	278601999934	INSERT VALVE EXHAUST	6	SERVICE PART
18	278601999935	INSERT VALVE INTAKE	6	SERVICE PART
19	278601999936	GUIDE VALVE STEM INTAKE	6	
20	278601999937	GUIDE VALVE STEM EXHAUST	6	



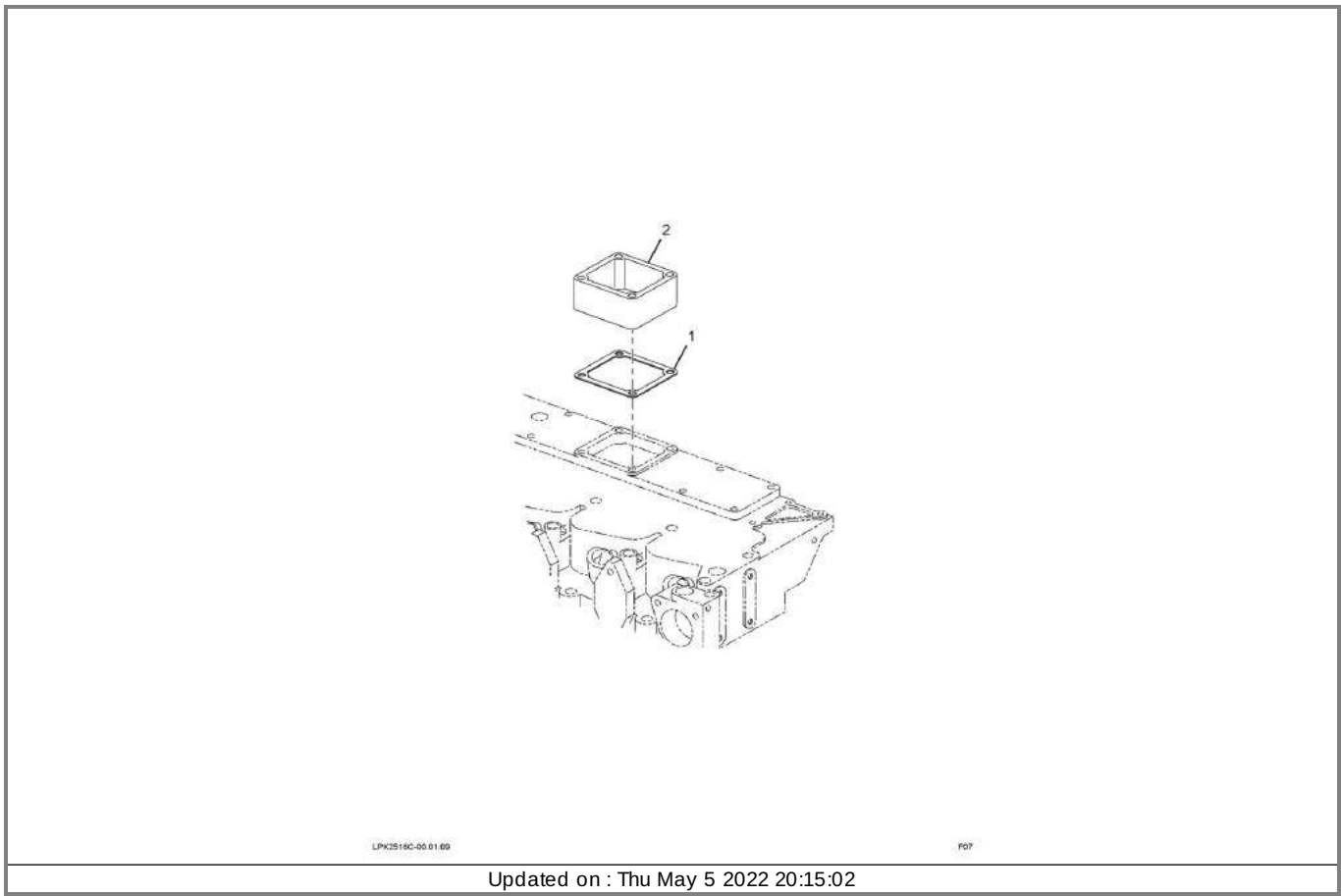
LPK2516C-06-01-07

P07

Updated on : Thu May 5 2022 20:15:02

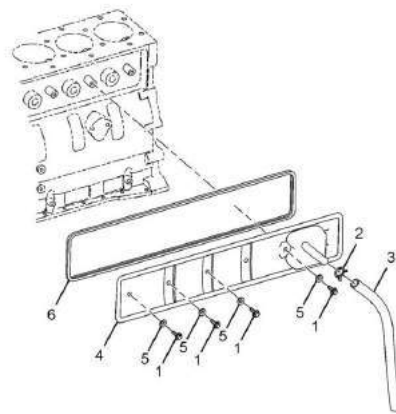
VC No : 20820132000R Group : (00) ENGINE Table : (00.01.09-AIR INTAKE HEATER)

Fig.	Part No	Part Description	Qty	Remarks
1	278620999941	GASKET,CONNECTION	1	
2	278601994702	CONNECTION SPACER	1	



VC No : 20820132000R Group : (00) ENGINE Table : (00.01.11-CAM FOLLOWER COVER)

Fig.	Part No	Part Description	Qty	Remarks
1	278603998001	SCREW,HEXAGON HEAD CAP	4	
2	278605999907	CLAMP SPRING (HOSE)	1	
3	278605999906	HOSE PLAIN	1	
4	278605999902	COVER PUSH ROD BS1/2/3	1	
5	278605999904	SEAL GROMMET	4	
6	278605999901	GASKET PUSH ROD COVER BS1/2/3/4	1	



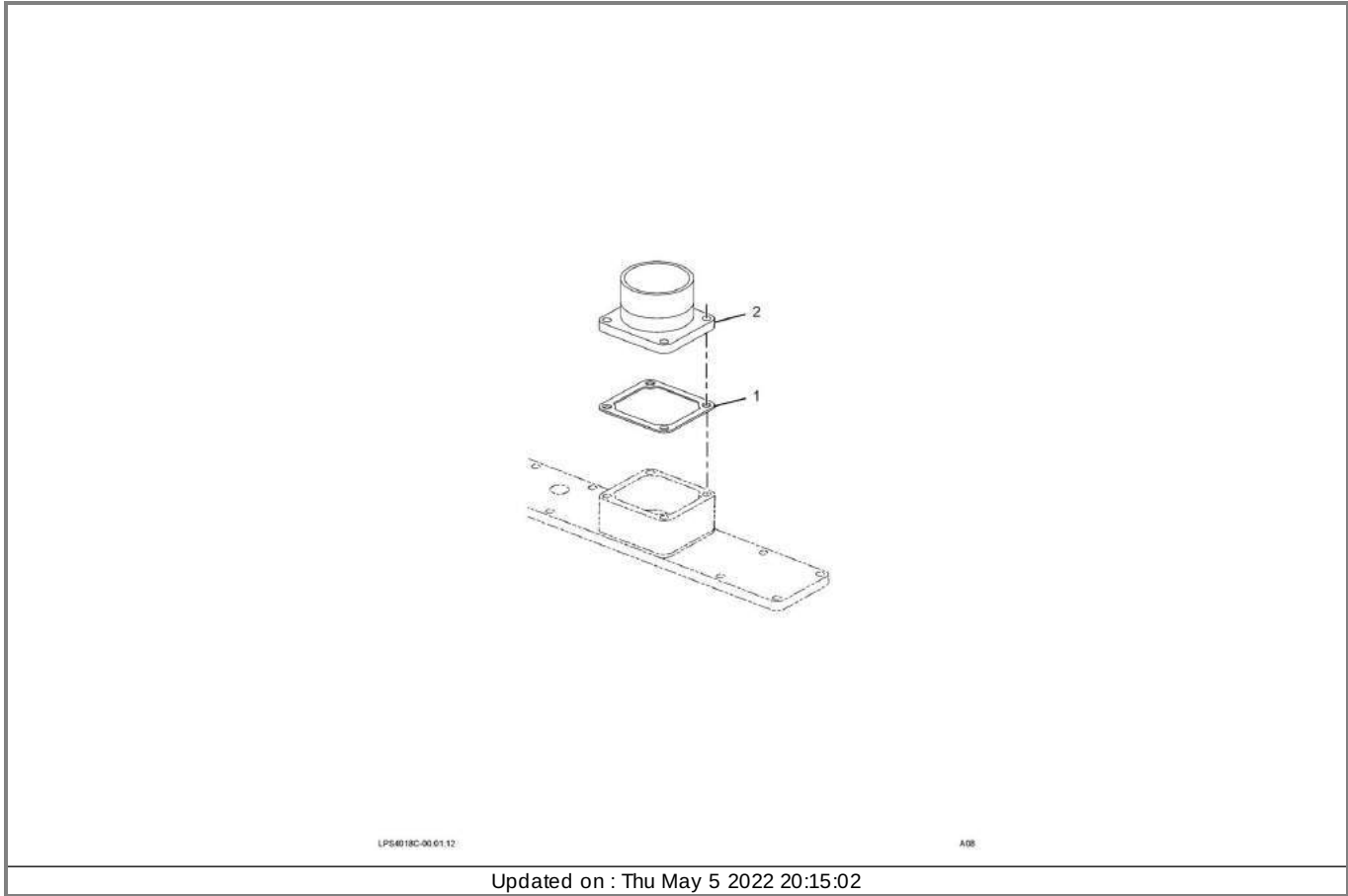
LPK2516C-06.01.11

P07

Updated on : Thu May 5 2022 20:15:02

VC No : 20820132000R Group : (00) ENGINE Table : (00.01.12-AIR INTAKE CONNECTION)

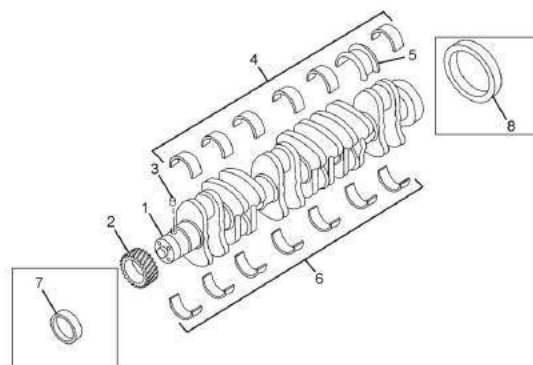
Fig.	Part No	Part Description	Qty	Remarks
1	278620999941	GASKET,CONNECTION	1	
2	278609993702	KIT-CONNECTION AIR INTAKE	1	
-	278620999927	SCREW HEX FLANGE M 8X1.25X80	4	



Updated on : Thu May 5 2022 20:15:02

VC No : 20820132000R Group : (00) ENGINE Table : (00.03.01-CRANKSHAFT AND MAIN BEARING)

Fig.	Part No	Part Description	Qty	Remarks
1	278603990246	CRANKSHAFT,ENGINE W/GEAR 6BT BS1/2/3/4	1	
2	278603999905	GEAR CRANKSHAFT	1	
3	278603999906	DOWEL PIN	1	
	278601999801	SET-MAIN BRG STD BS1/2/3/4	1	NO LONGER SERVICEABLE, SERVICE
	278603990202	KIT-MAIN BEARING ISBe5.9 BS1/2/3/4	1	SERVICED AS A SET
4	-----	BEARING MAIN (UPPER)	6	
6	-----	BEARING MAIN (LOWER)	7	
5	-----	BEARING CRANKSHAFT (THRUST)	1	
	278601999802	SET-MAIN BEARING RS1 6BT BS1/2/3	1	SEVICED AS A SET
4	-----	BEARING MAIN (UPPER)	6	
6	-----	BEARING MAIN (LOWER)	7	
5	-----	BEARING CRANKSHAFT (THRUST)	1	
	278603990106	SET-MAIN BEARING RS2 BS1/2/3	1	SEVICED AS A SET
4	-----	BEARING MAIN (UPPER)	6	
6	-----	BEARING MAIN (LOWER)	7	
5	-----	BEARING CRANKSHAFT (THRUST)	1	
	278603990107	SET OF MAIN BEARING (RS III) CONSISTS OF:(0.75 MM OVERSIZE)	1	SEVICED AS A SET
4	-----	BEARING MAIN (UPPER)	6	
6	-----	BEARING MAIN (LOWER)	7	
5	-----	BEARING CRANKSHAFT (THRUST)	1	
	278603990108	SET OF MAIN BEARING (RS IV) CONSISTS OF:(1.00 MM OVERSIZE)	1	SEVICED AS A SET
4	-----	BEARING MAIN (UPPER)	6	
6	-----	BEARING MAIN (LOWER)	7	
5	-----	BEARING CRANKSHAFT (THRUST)	1	
7	278603999907	SLEEVE WEAR-FRONT BS1/2/3	1	SERVICE PART



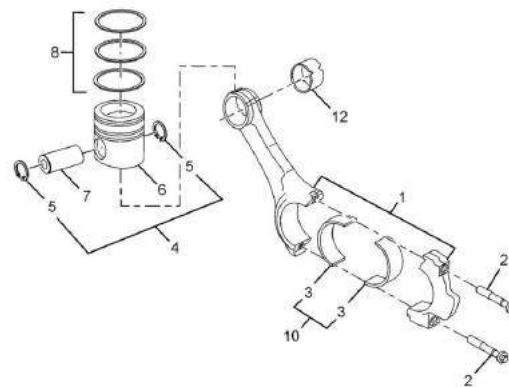
LPK2518C-00.03.01

ED7

Updated on : Thu May 5 2022 20:15:02

VC No : 20820132000R Group : (00) ENGINE Table : (00.03.02-CONNECTING ROD AND PISTON)

Fig.	Part No	Part Description	Qty	Remarks
1	278603990175	CONNECTING ROD ISBe5.9/6.7 BS1/2/3/4/6	6	
2	278603998002	SCREW,CONNECTING ROD CAP	12	FOR FRACTURE SPLIT CONNECTING
2	278603999901	SCREW CONNECTING ROD CAP	12	FOR MACHINED CONNECTING ROD
	-----	BARE PISTON SET		
4	278603999973	KIT-BARE PISTON STD 6BT(SET OF 6)BS1/2/3	1	SERVICED AS A SET
6	-----	PISTON	6	NOT SERVICED LOOSE
7	-----	PIN PISTON	6	NOT SERVICED LOOSE
5	-----	RETAINING RING	12	NOT SERVICED LOOSE
4	278603999975	KIT-PISTON BARE RS1 6BT BS2/3/4	1	SERVICED AS A SET
6	-----	PISTON	6	NOT SERVICED LOOSE
7	-----	PIN PISTON	6	NOT SERVICED LOOSE
5	-----	RING RETAINING	12	NOT SERVICED LOOSE
4	278603999841	SET-BARE PISTON RS-II BS1/2	1	SERVICED AS A SET
6	-----	PISTON	6	NOT SERVICED LOOSE
7	-----	PIN PISTON	6	NOT SERVICED LOOSE
5	-----	RING RETAINING	12	NOT SERVICED LOOSE
	-----	PISTON RING SET		
8	278603999977	SET-PISTON RING STD BS1/2/3	1	SERVICED AS A SET
	-----	OIL RING	6	NOT SERVICED LOOSE
	-----	COMPRESSION RING	6	NOT SERVICED LOOSE
	-----	COMPRESSION RING	6	NOT SERVICED LOOSE
8	278603999978	SET-PISTON RINGS RS1 BS1/2/3	1	SERVICED AS A SET
	-----	OIL RING	6	NOT SERVICED LOOSE
	-----	COMPRESSION RING	6	NOT SERVICED LOOSE
	-----	COMPRESSION RING	6	NOT SERVICED LOOSE



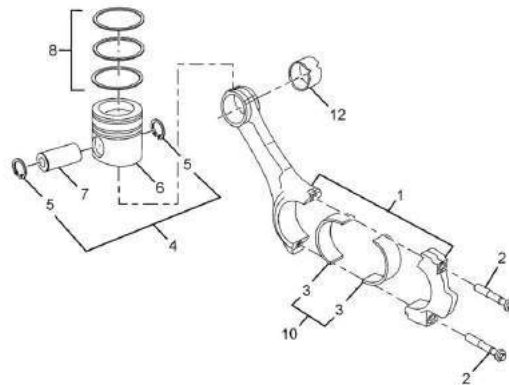
LPK2516C-06.03.02

P07

Updated on : Thu May 5 2022 20:15:02

VC No : 20820132000R Group : (00) ENGINE Table : (00.03.02-CONNECTING ROD AND PISTON)

Fig.	Part No	Part Description	Qty	Remarks
8	27860399979	SET OF PISTON RINGS R/S II, CONSISTS OF :	1	SERVICED AS A SET
	-----	OIL RING	6	NOT SERVICED LOOSE
	-----	COMPRESSION RING	6	NOT SERVICED LOOSE
	-----	COMPRESSION RING	6	NOT SERVICED LOOSE
	-----	CON. ROD BEARING SET		
10	278603990176	KIT-CONN ROD BEARING STD 6BT BS1/2/3/4	1	SERVICED AS A SET
3	-----	BEARING CON. ROD STD	12	NOT SERVICED LOOSE
10	278603990182	KIT,CONN ROD BRG. RS1 0.25MM BS1/2/3/4	1	SERVICED AS A SET
3	-----	BEARING CON. ROD (0.25 MM OVERSIZE)	12	NOT SERVICED LOOSE
10	278603990183	KIT-CONNECTING ROD BEARING 0.5	1	SERVICED AS A SET
3	-----	BEARING CON. ROD (0.5 MM OVERSIZE)	12	NOT SERVICED LOOSE
10	278603990184	KIT-CONNECTING ROD BEARING 0.75	1	SERVICED AS A SET
3	-----	BEARING CON. ROD (0.75 MM OVERSIZE)	12	NOT SERVICED LOOSE
10	278603990185	KIT-CONNECTING ROD BEARING 1.0	1	SERVICED AS A SET
3	-----	BEARING CON. ROD (1.0 MM OVERSIZE)	12	NOT SERVICED LOOSE
12	278603993401	BUSHING BS1/2/3/4	6	



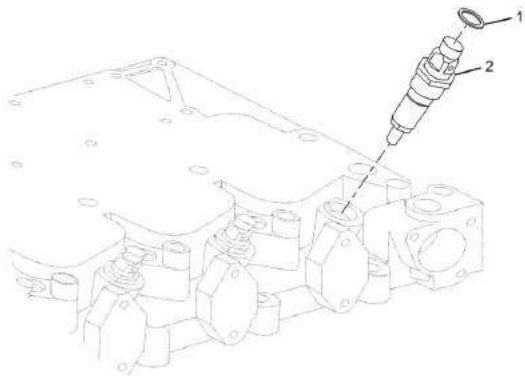
LPK2516C-06 03 02

P07

Updated on : Thu May 5 2022 20:15:02

VC No : 20820132000R Group : (00) ENGINE Table : (00.07.08-INJECT OR)

Fig.	Part No	Part Description	Qty	Remarks
1	278607999913	SEAL RECTANGULAR RING	6	
2	F002C8Z880	INJECTOR BS2/3	6	



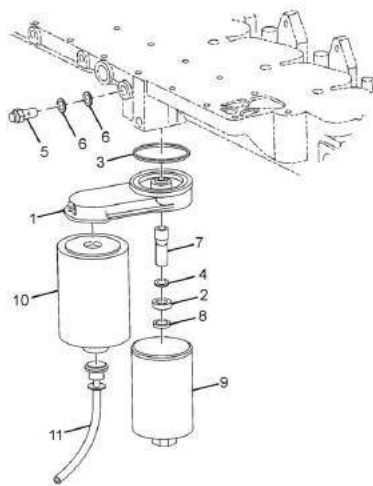
LPK2516C-00 07 08

E07

Updated on : Thu May 5 2022 20:15:02

VC No : 20820132000R Group : (00) ENGINE Table : (00.09.01-FUEL FILTER)

Fig.	Part No	Part Description	Qty	Remarks
1	278607990106	HEAD FUEL FILTER	1	
2	278609999902	NUT REGULAR HEX. M 6X1.5	1	
3	278607999910	SEAL O RING (BIG)	1	
4	278607999911	SEAL O RING (SMALL)	1	
5	278609999911	SCREW M 12X1.5X24	1	
6	278607999924	WASHER, SEALING (3918191)	2	
7	278609999903	ADAPTER FILTER HEAD	1	
8	278618999971	GASKET RECTANGULAR	1	
9	278609119904	FUEL FILTER ELEMENT SPINON BS1/2/3	1	
-	278607989914	ASSY. WATER SEPERATOR W/VALVE BS1/2/3	1	
10	278607989916	FUEL FILTER (FWS) ELEMENT SPINON BS1/2/3	1	
-	278607989915	DRAIN VALVE WATER SEPERATOR BS1/2/3	1	
11	278609999909	HOSE PLAIN	1	



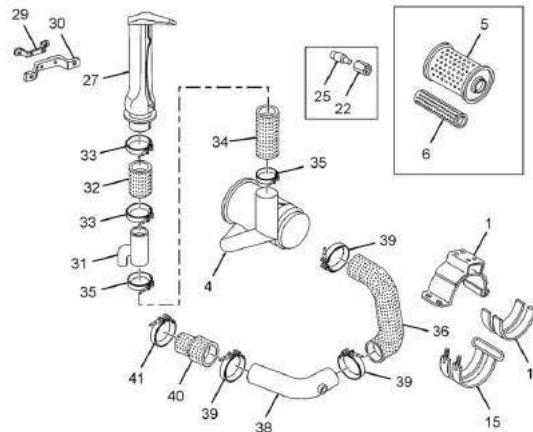
LPK2516C-00 09 01

P07

Updated on : Thu May 5 2022 20:15:02

VC No : 20820132000R Group : (00) ENGINE Table : (00.09.03-AIR FILTER)

Fig.	Part No	Part Description	Qty	Remarks
1	278609130173	ASSY AIR FILTER MOUNTING BRACKET	1	
4	278609130152	ASSY AIR FILTER	1	
5	278609139908	AIR FILTER PRIMARY ELEMENT BS1/2/3/4/6	1	
6	278609139909	AIR FILTER ELEMENT SAFETY BS1/2/3/4/6	1	
15	278609130131	ASSY STRAP WITH SHACKLE	1	
17	252509139902	RUBBER STRAP	2	
22	278609139901	ADAPTER (FOR SERVICE INDICATOR)	1	
25	254709139918	SERVICE INDICATOR BS1/2/3/4/6	1	
27	278609130364	ASSY AIR INLET DUCT (SIDE ENTRY)	1	
-	278609133347	BRACKET (SNORKEL MOUNTING)	1	
29	278609130257	ASSY CLAMP TOP (ON CAB REAR WALL)	1	
30	278609130258	ASSY BRACKET BOTTOM (FOR DUCT MTG ON CAB)	1	
31	278609130213	ASSY PRE-CLEANER	1	
32	278609135807	RUBBER HOSE (FROM DUCT TO PRE CLEANER)	1	
33	14280598233	HOSE CLAMP TB-144 SAE J1508	2	
34	278609135841	HOSE (AIR INLET DUCT TO AIR FILTER)	1	
35	14280598233	HOSE CLAMP TB-144 SAE J1508	2	
36	278609135889	HOSE-FLEXIBLE BS1/2/3/4	1	
38	278609130323	ASSY AIR INTAKE PIPE	1	
39	14280598225	HOSE CLAMP TB-146	3	
-	278609130124	ASSY BRACKET (AIR INTAKE CLAMPING)	1	
-	278609130324	ASSY CLAMP	1	
40	278609135812	RUBBER HOSE (REDUCER)	1	
41	14280598209	HOSE CLAMP TB 112	1	



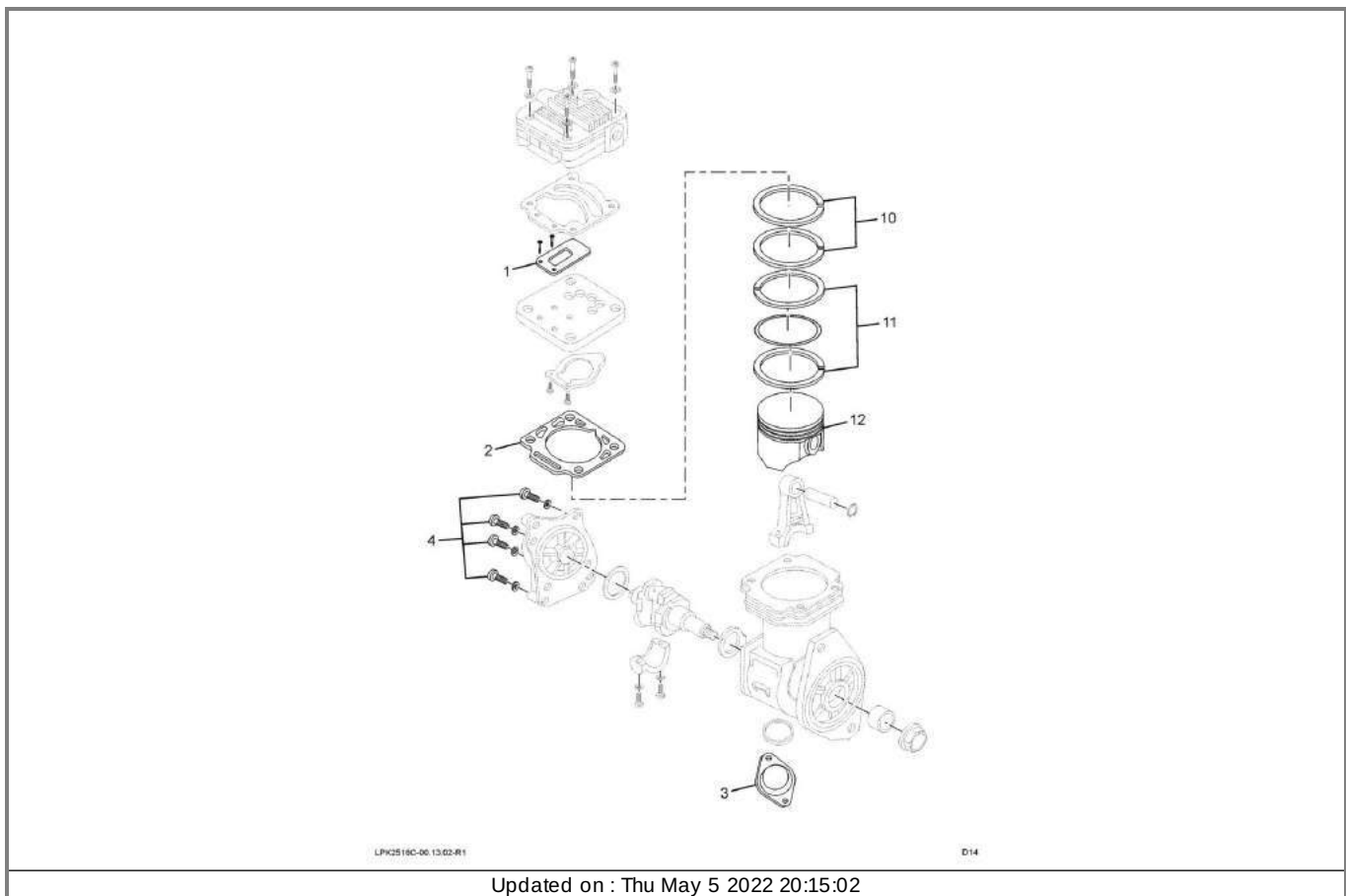
LPS4018C-00.09.03

808

Updated on : Thu May 5 2022 20:15:02

VC No : 20820132000R Group : (00) ENGINE Table : (00.13.02-REPAIR KIT FOR AIR COMPRESSOR)

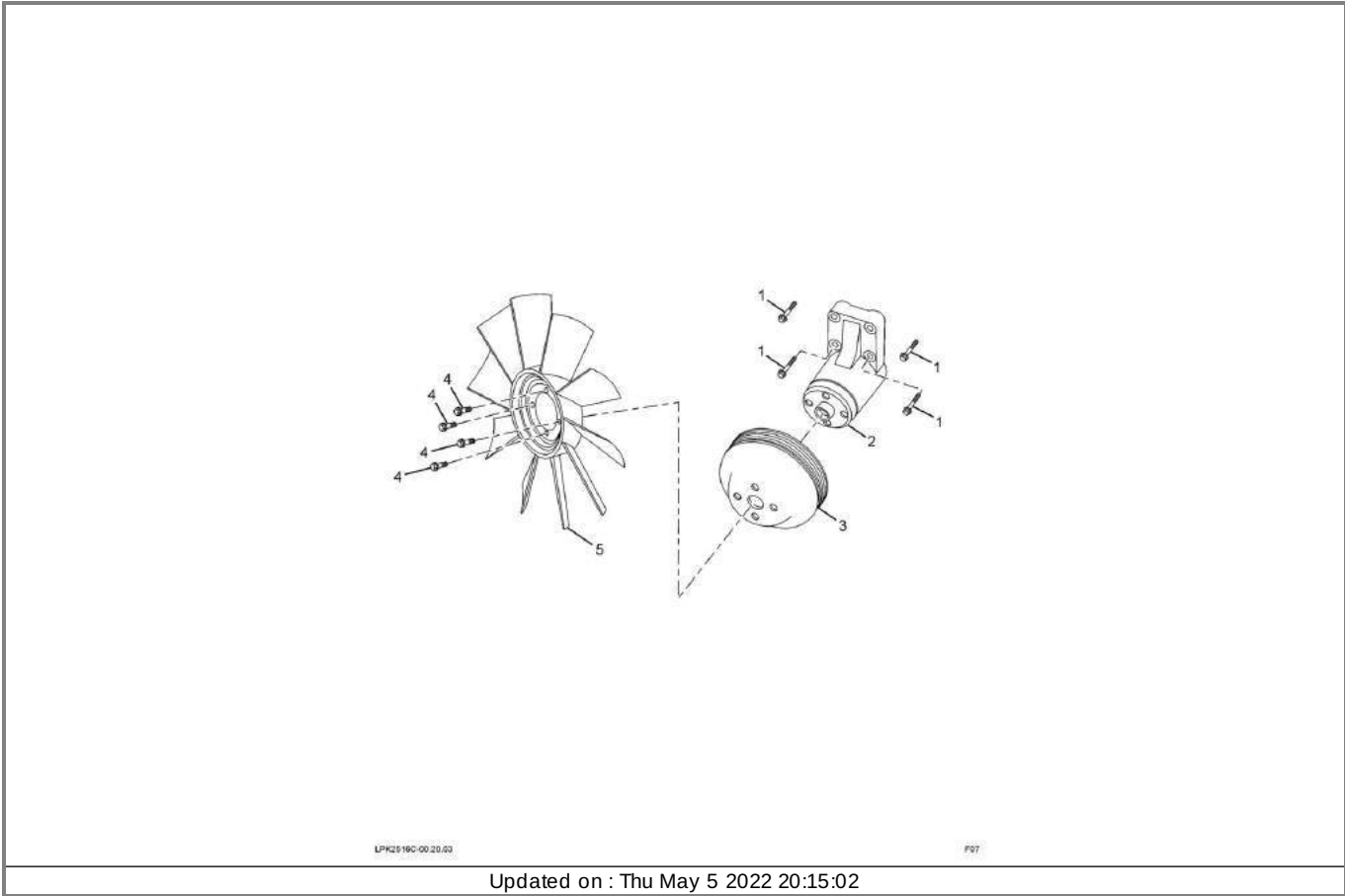
Fig.	Part No	Part Description	Qty	Remarks
-	W6155000007	CYLINDER HEAD TOP PORT	1	
	278613999916	GASKET KIT CYLINDER HEAD CONSISTS OF :	1	
1	-----	DELIVERY REED	1	
2	-----	DELIVERY JOINT	1	
	278613999917	MAJOR REPAIR KIT	1	
1	-----	DELIVERY REED	1	
2	-----	DELIVERY JOINT	1	
3	-----	COVER SUMP	1	
4	-----	SET SCREW	4	
	278613999918	REPAIR KIT PISTON RING STD BS1/2/3	1	
-	-	INLET JOINT	1	
-	-	RIVET	4	
2	-	DELIVERY JOINT	1	
10	-	COMPRESSION RING	2	
11	-	OIL CONTROL RIN G	1	
	278613999919	REPAIR KIT-PISTON RING 1	1	
10	-----	COMPRESSION RING	2	
11	-----	OIL CONTROL RING	1	
12	-----	PISTON	1	
	278613999920	REPAIR KIT-PISTON RING 2	1	
10	-----	COMPRESSION RING	2	
11	-----	OIL CONTROL RING	1	



Updated on : Thu May 5 2022 20:15:02

VC No : 20820132000R Group : (00) ENGINE Table : (00.20.03A-FAN AND FAN DRIVE)

Fig.	Part No	Part Description	Qty	Remarks
1	278607998006	SCREW H.F.H.C. M8X1.25X40	4	
2	278620999825	SUPPORT, FAN ISBe5.9 BS1-4	1	
3	207615999902	PULLEY FAN RATIO 1.2:1 BS1/2/3/4	1	FOR BIPOLAR VEHICLE
4	278614999914	SCREW, HEX FLANGE HEAD CAP M10 X 1.5	4	
5	278620999955	FAN,ENGINE 22 ISBe5.9 BS2/3/4	1	



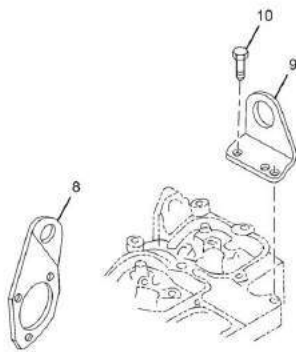
LPS2519C-00 20.02

PGT

Updated on : Thu May 5 2022 20:15:02

VC No : 20820132000R Group : (00) ENGINE Table : (00.22.01-ENGINE LIFTING)

Fig.	Part No	Part Description	Qty	Remarks
8	278620999911	BKT LIFTING ENGINE FRONT (3281246)	1	
9	278620999912	BRACKET LIFTING ENGINE REAR	1	
10	278620999913	SCREW HEX. FLANGE M 12X1.75X30	2	



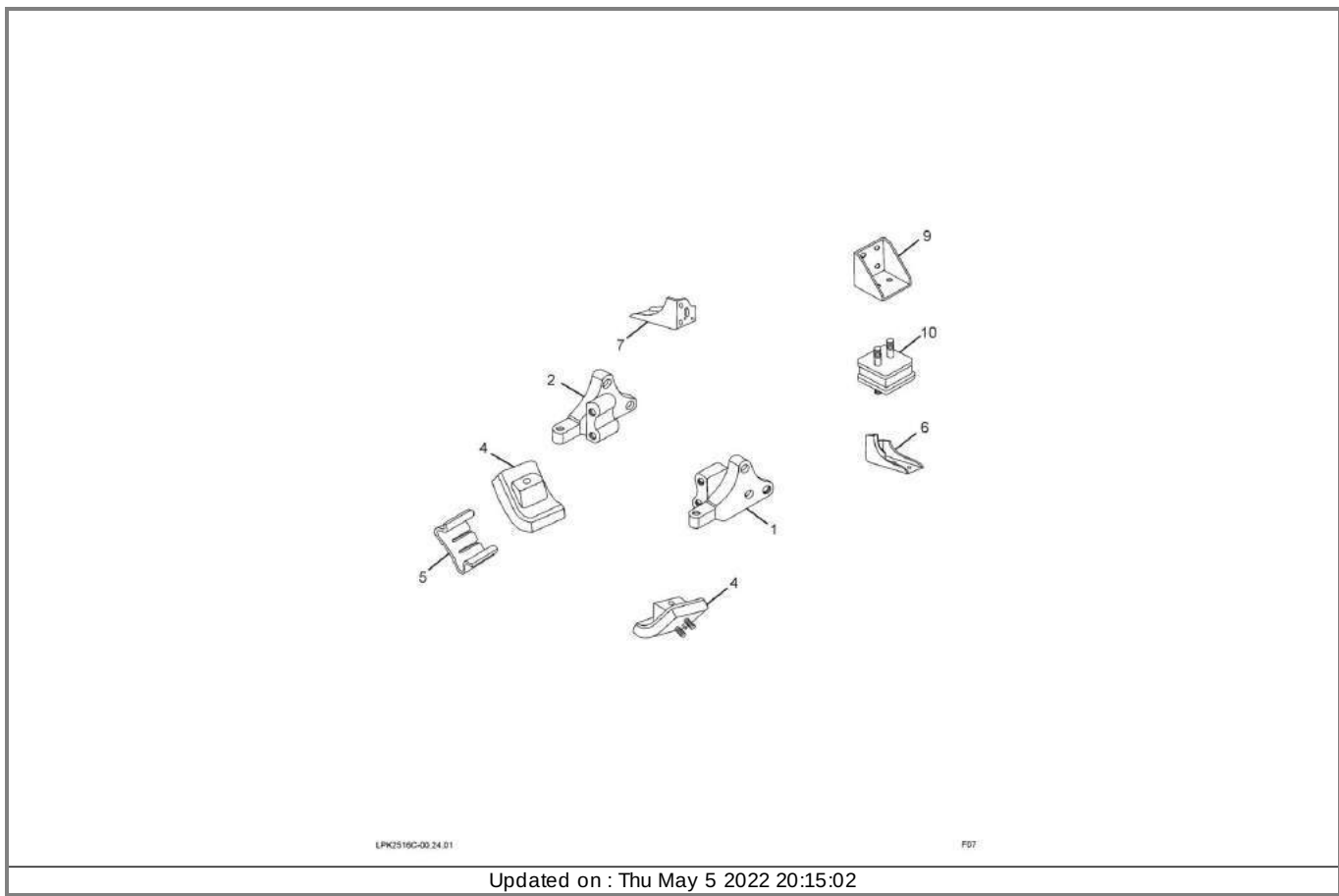
LPK2516C-00 22 01

E07

Updated on : Thu May 5 2022 20:15:02

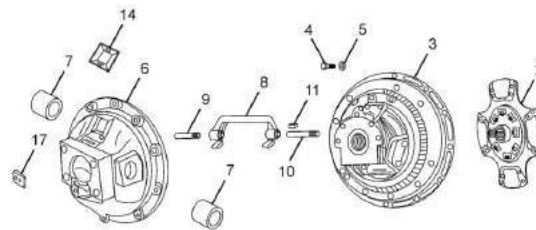
VC No : 20820132000R Group : (00) ENGINE Table : (00.24.01A-ENGINE MOUNTING)

Fig.	Part No	Part Description	Qty	Remarks
1	276824105102	ENGINE MOUNTING ARM LH (FRONT)	1	UPTO OCT2006 FOR BIPOLAR VEH
2	277024105101	ENGINE MOUNTING ARM RH (FRONT)	1	UPTO OCT2006 FOR BIPOLAR VEH
1	277024105102	ENGINE MOUNTING ARM LH (FRONT)	1	FROM NOV06 FOR BIPOLAR VEH
2	277024105101	ENGINE MOUNTING ARM RH (FRONT)	1	FROM NOV06 FOR BIPOLAR VEH
4	257624100101	ENGINE MOUNT PAD FRONT BS1/2/3/4/6	2	
5	3522420509	TORQUE SUPPORT	2	
-	257624109201	WASHER(ENG MTG.ARM FRT TO RUBBER SUPPORT FRT)	2	
6	276824200103	ASSY BRACKET-LH(ENG.MTG.-REAR BOTTOM)	1	
7	276824200104	ASSY BRACKET-RH(ENG.MTG.-REAR BOTTOM)	1	
9	276824200106	ASSY BRACKET(ENGINE MOUNTING REAR TOP)	2	
10	257624200118	ENGINE MOUNTING REAR BS1/2/3/4	2	OPTIONAL
10	257624200118	ENGINE MOUNTING REAR BS1/2/3/4	2	OPTIONAL



VC No : 20820132000R Group : (00) ENGINE Table : (00.25.01-CLUTCH)

Fig.	Part No	Part Description	Qty	Remarks
2	275225200106	CLUTCH DISC 352 DIA. BS1/2/3/4	1	ORDER P/N 886325010001 FOR IB
3	275225400105	CLUTCH COVER 352 DIA. BS1/2/3/4	1	ORDER P/N 886325010002 FOR IB
4	275425408002	HEX. SCREW (FOR CLUTCH MOUNTING)	12	
5	275425409202	FLAT WASHER	12	
6	269125100101	SUB - ASSY CLUTCH HOUSING	1	UPTO JULY07
6	272425100117	SUB - ASSY CLUTCH HOUSING	1	FROM AUG07
7	275425103401	BUSH	4	
8	275425605101	CLUTCH RELEASE YOKE 6BT BS1/2/3/4	1	
9	275425607901	CROSS SHAFT (KNURLED ON LH SIDE)	1	
10	275425607902	CROSS SHAFT (KNURLED ON RH SIDE)	1	
11	275425605901	KEY (CLUTCH RELEASE YOKE)	1	
14	0422510004J	COVER CLUTCH HOUSING UPPER	1	
17	269125108201	COVER	1	
-----		REPAIR KITS		
	275425400119	RELEASE SLEEVE SERVICE KIT	1	ORDER P/N 886325010027 FOR IB
-----		LOCK NUT SLEEVE	1	
-----		SLEEVE	1	
-----		SLEEVE BUSHING (IMP.)	1	
-----		ADJ. RING	1	
	275425400110	KIT-RELEASE LEVER BS1/2/3/4	1	ORDER P/N 886325010012 FOR IB
-----		RELEASE LEVER	3	
-----		RETRACTOR SPRING	3	
-----		PRESS PLATE PIN	3	
-----		NEEDLE BEARING (IMP.)	6	
-----		WASHER	6	



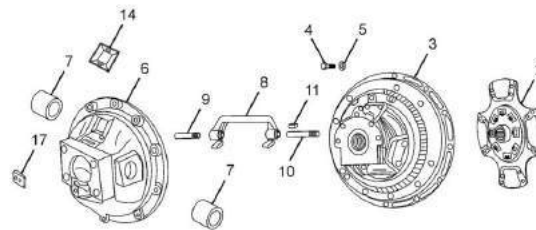
LPT2518-00 25.01

E07

Updated on : Thu May 5 2022 20:15:02

VC No : 20820132000R Group : (00) ENGINE Table : (00.25.01-CLUTCH)

Fig.	Part No	Part Description	Qty	Remarks
	-----	RETAINER SPRING	3	
	275425400111	KIT-PRESSURE SPRING BS1/2/3/4	1	ORDER P/N 886325010009 FOR IB
	-----	PRESSURE SPRING	12	
	-----	PRESSURE SPRING	9	
	275425400112	RELEASE BRG CASTING SERVICE KIT	1	ORDER P/N 886325010028 FOR IB
	-----	GREASE NIPPLE	1	
	-----	RELEASE BEARING HOUSING SUB. ASSY	1	
	-----	BEARING HOUSING	1	
	-----	WELDING W/BRG. HSG. WEAR PAD	2	
	275425400114	KIT- PR. PLATE & NEEDLE ROLLER BS1/2/3/4	1	ORDER P/N 886325010006 FOR IB
	-----	PRESSURE PLATE	1	
	-----	NEEDLE BEARING	6	
	275425400115	KIT-EYE BOLT & NEEDLE ROLLER BS1/2/3/4	1	ORDER P/N 886325010018 FOR IB
	-----	EYE BOLT	3	
	-----	LOCK NUT	3	
	-----	ADJUSTING NUT	3	
	-----	NEEDLE BEARING (IMP.)	3	
	-----	EYE BOLT PIN	3	
	275425400116	RELEASE SPIDER SERVICE KIT	1	ORDER P/N 886325010026 FOR IB
	-----	SPIDER	1	
	-----	COTTER PIN	3	
	-----	LOCK NUT SLEEVE	1	
	275425400120	HOLD DOWN BOLT KIT	1	ORDER P/N 886325010034 FOR IB
	-----	HOLD DOWN BOLT	3	
	-----	WASHER	3	



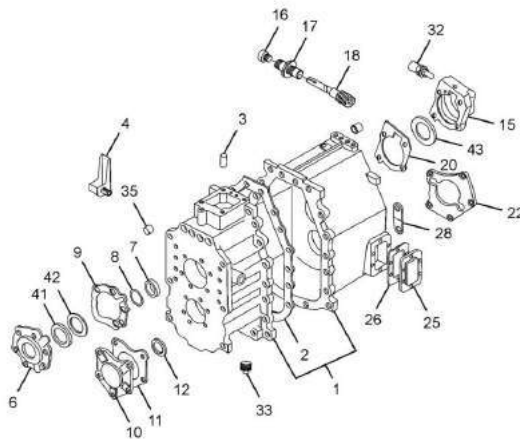
LPT2518-00 25.01

E07

Updated on : Thu May 5 2022 20:15:02

VC No : 20820132000R Group : (26) GEARBOX Table : (26.26.01-GEARBOX, HOUSING AND COVER (G 600))

Fig.	Part No	Part Description	Qty	Remarks
-	269126010166	ASSYG 600 GEAR BOX COMPLETE (RATIO 9.19)	1	
1	269126100104	ASSY. GEAR BOX HSG. FRT+RR HALF BS1-4	1	
2	269126105303	GASKET (HOUSING FRONT & REAR)	1	
3	269126106701	PIN (GEAR BOX HOUSING)	2	
4	269126106301	OIL CATCHER	1	
-	269126108202	COVER (OIL CATCHER)	1	
6	269126253704	FRONT COVER (UPPER)	1	
7	269126257808	OIL SEAL BS1/2/3/4/6	1	
8	269126208301	SHIM (0.5 THK.)	AR	
8	269126208302	SHIM(0.25THK.)	AR	
8	269126208303	SHIM (0.125 THK.)	AR	
8	269126208304	SHIM(0.05THK.)	AR	
9	269126255302	GASKET (FRONT COVER-UPPER)	1	
10	269126303703	FRONT COVER (LOWER)	1	
11	269126255303	GASKET (FRONT COVER LOWER)	1	
12	269126308305	SHIM (0.5 THK.)-FRT COVER LOWER	AR	
12	269126308306	SHIM(0.25THK.)	AR	
12	269126308307	SHIM(0.125HK.)	AR	
12	269126308308	SHIM(0.05THK.)	AR	
15	269126203710	REAR COVER (UPPER)	1	
16	250626207804	OIL SEAL	1	
-	269126207807	DUST SEAL (REAR COVER)	1	
-	269126208601	SPACER	1	
17	269126203426	SPEEDO ADAPTOR (REAR COVER UPPER)	1	
18	269126207910	SPEEDO PINION (REAR COVER UPPER)	1	



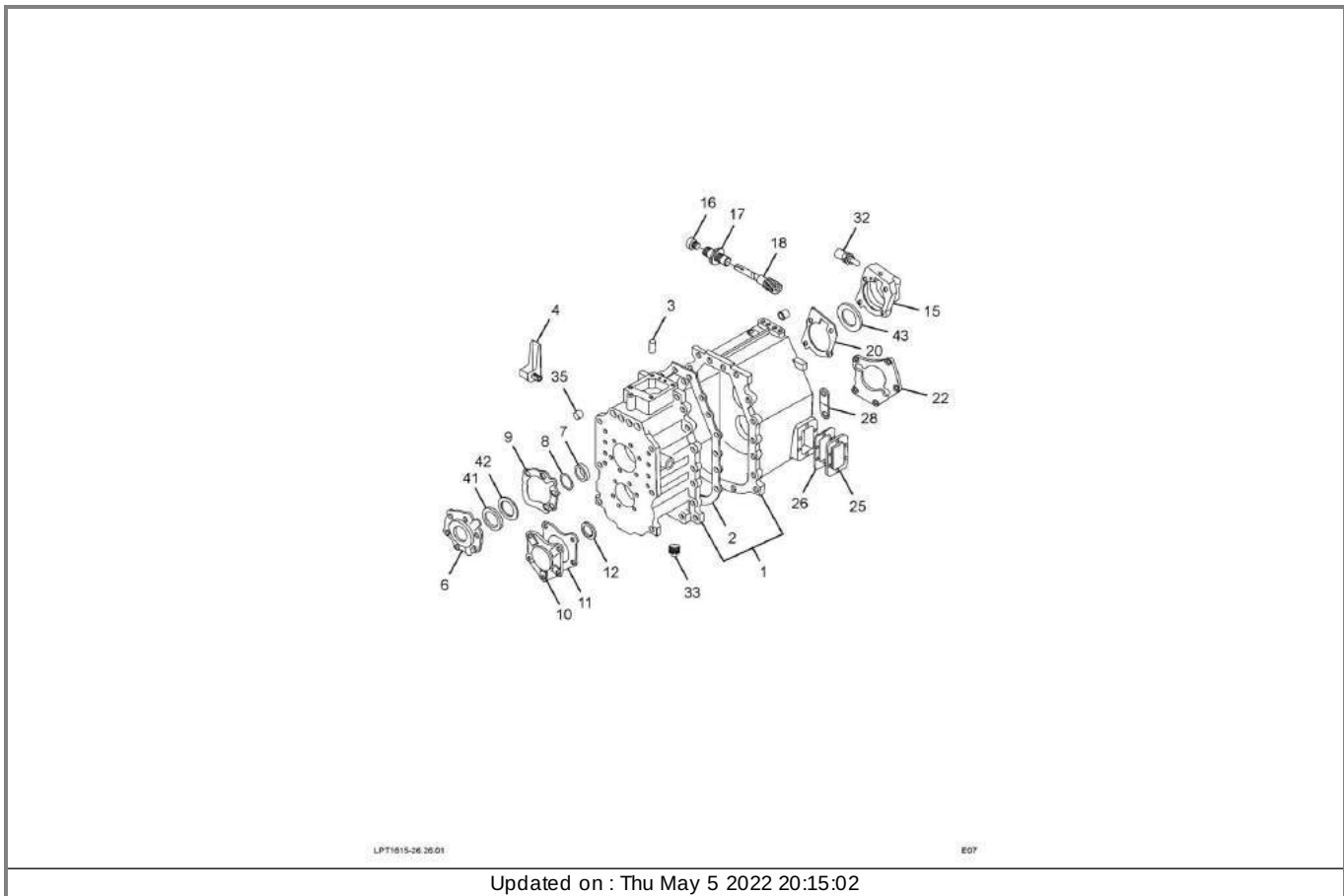
LPT1615-26 26.01

E07

Updated on : Thu May 5 2022 20:15:02

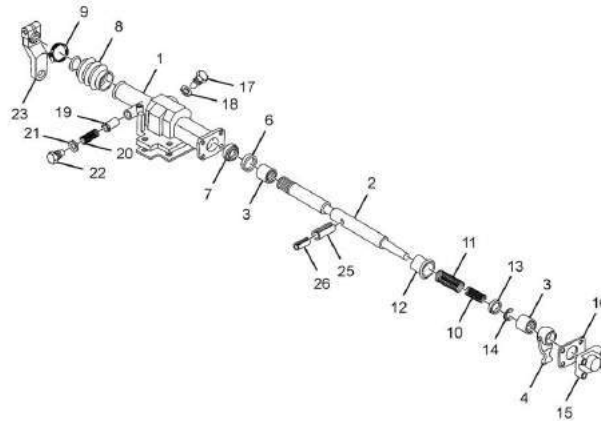
VC No : 20820132000R Group : (26) GEARBOX Table : (26.26.01-GEARBOX, HOUSING AND COVER (G 600))

Fig.	Part No	Part Description	Qty	Remarks
20	269126205302	GASKET (REAR COVER UPPER)	1	
22	269126303702	REAR COVER (G.B.HSG LOWER - INTEGRAL)	1	
25	269126358202	COVER (R. I. WINDOW)	1	
26	269126355302	GASKET (R.I.COVER)	1	
28	269126357101	LOCKING PLATE (R.I. SHAFT)	1	
-	269126159901	ADAPTOR (BREATHER)	1	
-	257433150102	ASSY FILTER BREATHER	1	
32	270254509950	REVERSE LIGHT SWITCH BS1/2/3/4	1	
33	266335107207	MAGNETIC DRAIN PLUG BS1/2/3/4	1	
-	0009970006J	PLUG OIL FILLING	1	
-	266835150102	PRESSURE RELIEF VALVE	1	
35	269126108201	PLUG (SHIFTER SHAFT-REAR)	8	
41	269126258203	OIL DAM (FRONT COVER)	1	
42	269126258205	OIL SLINGER (FRONT COVER)	1	
43	269126208203	OIL SLINGER (REAR COVER)	1	



VC No : 20820132000R Group : (26) GEARBOX Table : (26.26.02-TOP COVER)

Fig.	Part No	Part Description	Qty	Remarks
-	269126710123	ASSY TOP COVER (SL LEVER 65R)	1	
1	251626713705	GEAR CASE COVER TOP (UPPER HALF)	1	
-	251626715301	GASKET UPPER HALF GEAR CASE COVER TOP	1	
2	269126707902	SELECTOR SHIFTER SHAFT (6 SPEED)	1	
3	250726713105	NEEDLE CAGE	2	
4	269126715101	SHIFTER FINGER	1	
-	269126713703	INTERLOCK FINGER	1	
6	17061602518	OIL SEAL B25X35X7	1	
7	250726717803	SCRAPER RING	1	
8	250526717701	BELLOW	1	
9	14285000255	HOSE CLIP 25 TS17669 SS8451-8B	1	
10	269126718702	COMPRESSION SPRING (INNER)	1	
11	269126718701	COMPRESSION SPRING (OUTER)	1	
12	251626718201	CUP	1	
13	251626718601	SPACER	1	
14	14550801206	CIRCLIP E 12X1.3	1	
15	251626713805	COVER	1	
16	251626715302	GASKET,SIDE COVER	1	
17	251626716703	HEX. BOLT	1	
18	251626718602	CRINKLED WASHER	1	
19	251626716705	PRESSURE PIECE	1	
20	251626718704	COMPRESSION SPRING	1	
21	251626718603	CRINKLED WASHER.	1	
22	251626717201	SEALING PLUG	1	
23	269126706001	SELECTION & SHIFTING LEVER 65R	1	



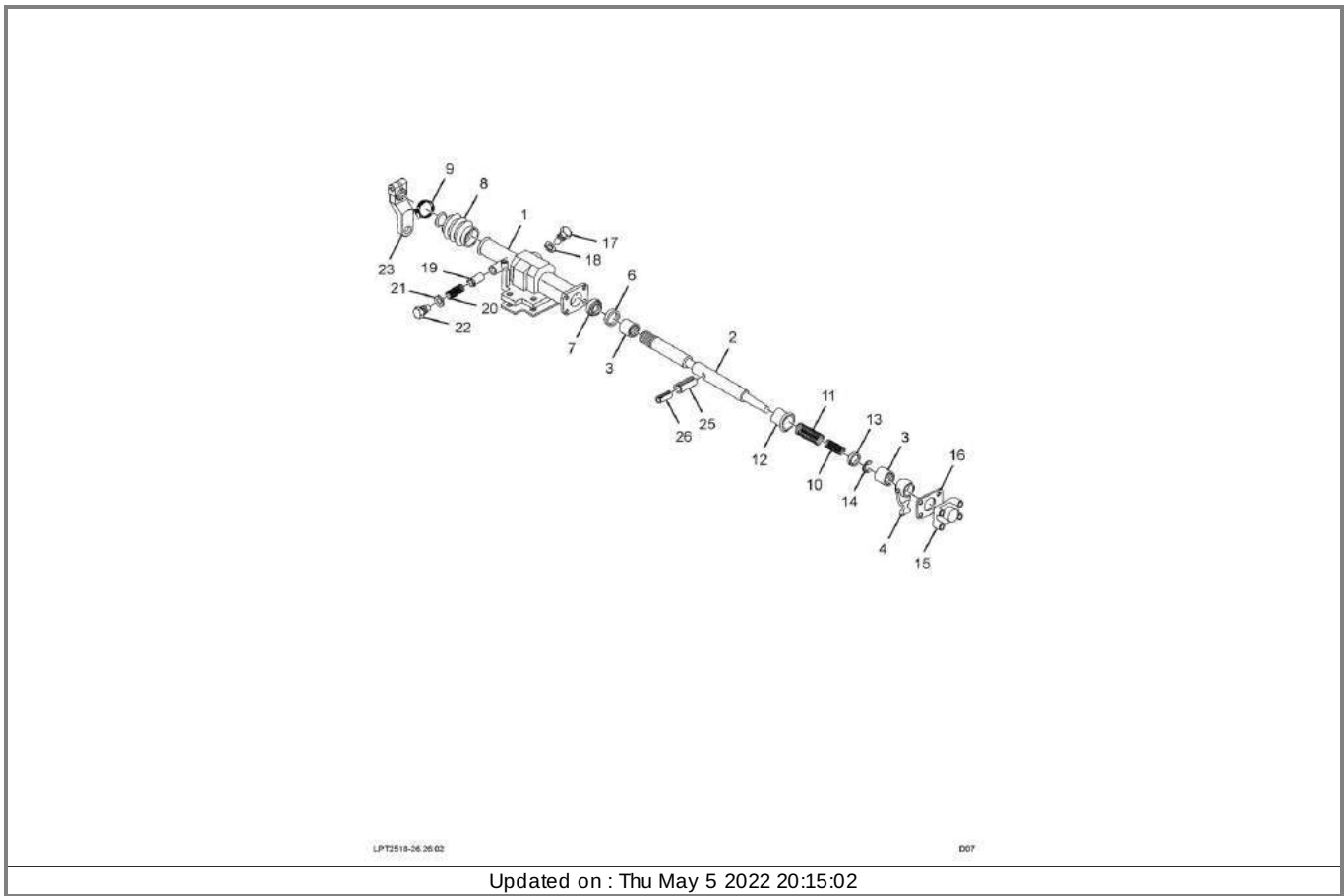
LPT2518-26 26 02

D07

Updated on : Thu May 5 2022 20:15:02

VC No : 20820132000R Group : (26) GEARBOX Table : (26.26.02-TOP COVER)

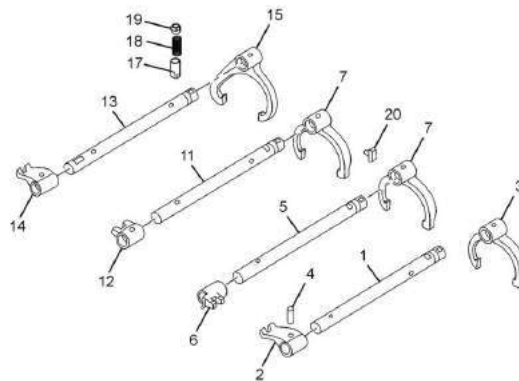
Fig.	Part No	Part Description	Qty	Remarks
25	13120512409	DOWEL SLEEVE HEAVY 10X40	1	
26	13120510406	DOWEL SLEEVE HEAVY 6X40	1	



Updated on : Thu May 5 2022 20:15:02

VC No : 20820132000R Group : (26) GEARBOX Table : (26.26.03-SHIFTER SHAFT AND FORK)

Fig.	Part No	Part Description	Qty	Remarks
1	269126517907	SHIFTER SHAFT (5TH / 6TH SPEED)	1	
2	269126515117	SHIFTER DOG (5TH / 6TH SPEED)	1	
3	269126515127	SHIFTER FORK (5TH/6TH)	1	
4	269126516705	SPIRAL PIN 8X36	2	
20	269126519901	BRASS PAD BS1/2/3/4	2	
5	269126517910	SHIFTER SHAFT (3/4 SPEED)	1	
6	269126515116	SHIFTER DOG (3RD/4TH SPEED)	1	
7	269126515125	SHIFTER FORK (1ST/2ND & 3RD/4TH) BS1-6	1	
4	269126516705	SPIRAL PIN 8X36	2	
20	269126519901	BRASS PAD BS1/2/3/4	2	
11	269126517908	SHIFTER SHAFT (1ST /2ND SPEED)	1	
12	269126515115	SHIFTER DOG (1ST / 2ND SPEED)	1	
7	269126515125	SHIFTER FORK (1ST/2ND & 3RD/4TH) BS1-6	1	
4	269126516705	SPIRAL PIN 8X36	2	
20	269126519901	BRASS PAD BS1/2/3/4	2	
13	269126517918	SHIFTER SHAFT(REVERSE)	1	
14	269126515118	SHIFTER DOG (REVERSE)	1	
15	269126515113	SHIFTER FORK- REVERSE BS1/2/3/4/6	1	
4	269126516705	SPIRAL PIN 8X36	2	
17	269126510120	ASSY. DETENT BS1/2/3/4	4	
18	269126518703	COMPRESSION SPRING DETENT BS1/2/3/4/6	4	
19	26912610720290	SEALING PLUG - LOCTITE COATED	6	



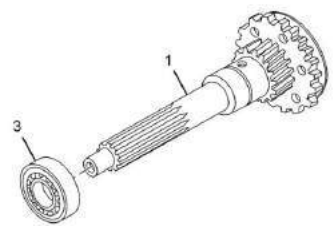
LPT2518-26 26 03

D07

Updated on : Thu May 5 2022 20:15:02

VC No : 20820132000R Group : (26) GEARBOX Table : (26.26.04-DRIVE SHAFT)

Fig.	Part No	Part Description	Qty	Remarks
1	269126250136	ASSY. DRIVE SFT(17T)G600 THR BRG BS2/3/4	1	
3	269126203103	TAPER ROLLER BRG. 28580/521 BS1/2/3/4	1	
-	269126253105	CYL, ROLLER BRG. AR 7.5 75 100 BS1/2/3/4	1	



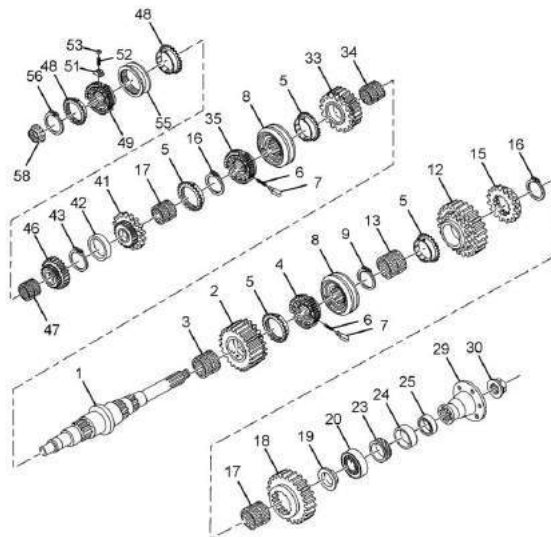
LPT2518-26 26.04

D07

Updated on : Thu May 5 2022 20:15:02

VC No : 20820132000R Group : (26) GEARBOX Table : (26.26.05-MAIN SHAFT AND GEARS)

Fig.	Part No	Part Description	Qty	Remarks
1	269126207911	MAIN SHAFT (34T/26T/38T) BS1/2/3/4	1	
2	269126205437	2ND SPEED GEARM/SHAFT(LOOSE SYN.RING)	1	
	269126204643	SYNC. RING 1/2/3 SP (38T/51T)LOOSE BS2/3	1	
3	269126203120	NEEDLE CAGE DOUBLE ROW BS1/2/3/4/6	1	
4	269126204641	ENGAGING GEAR(1ST/2ND) LOOSE SYN.RING.	1	
5	269126204650	SYNCHRO CONE 1/2/3/4 (CARBON) BS1/2/3/4	2	
6	250726208705	COMPRESSION SPRING	3	
7	250726206702	RETENTION PIN	3	
8	269126204618	SHIFTER SLEEVE (51T)(1ST/2ND & 3RD/4TH)	1	
9	269126204313	CIRCLIP (2.3 THICK) 1ST SPEED	1	FOR SELECTION
9	269126204314	CIRCLIP (2.4 THICK) 1ST SPEED	1	FOR SELECTION
9	269126204315	CIRCLIP (2.5 THICK) 1ST SPEED	1	FOR SELECTION
9	269126204316	CIRCLIP (2.6 THICK) 1ST SPEED	1	FOR SELECTION
9	269126204317	CIRCLIP (2.7 THICK) 1ST SPEED	1	FOR SELECTION
9	269126204321	CIRCLIP (2.8 THICK) 1ST SPEED	1	FOR SELECTION
12	269126205436	1ST SPEED GEARM/SHAFT(LOOSE SYN.RING)	1	
	269126204643	SYNC. RING 1/2/3 SP (38T/51T)LOOSE BS2/3	1	
13	269126203111	NEEDLE CAGE 1ST SPEED BS1/2/3/4/6	1	
15	269126204624	ENGAGING GEAR (REVERSE)	1	
16	269126204301	CIRCLIP (1.8 THICK)	1	FOR SELECTION
16	269126204302	CIRCLIP (1.9 THICK)	1	FOR SELECTION
16	269126204303	CIRCLIP (2.0 THICK)	1	FOR SELECTION
16	269126204304	CIRCLIP (2.1 THICK)	1	FOR SELECTION
16	269126204305	CIRCLIP (2.2 THICK)	1	FOR SELECTION
16	269126204310	CIRCLIP (2.3 THICK)	1	FOR SELECTION



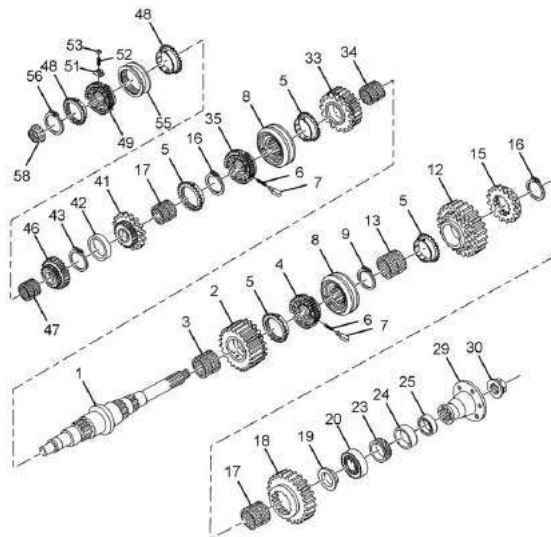
LPT1518-26 26 05

H07

Updated on : Thu May 5 2022 20:15:02

VC No : 20820132000R Group : (26) GEARBOX Table : (26.26.05-MAIN SHAFT AND GEARS)

Fig.	Part No	Part Description	Qty	Remarks
16	269126204311	CIRCLIP (2.4 THICK)	1	FOR SELECTION
17	269126203106	NEEDLE CAGE (REV.GEAR) BS1-6	1	
18	269126205413	REV.GEAR M/SHAFT(37T/32T) 6SP) BS1/2/3/4	1	
19	269126208612	SPACER (MAIN SHAFT) (11.4 THICK)	1	FOR SELECTION
19	269126208613	SPACER (MAIN SHAFT) (11.3 THICK)	1	FOR SELECTION
19	269126208614	SPACER (MAIN SHAFT) (11.2 THICK)	1	FOR SELECTION
19	269126208615	SPACER (MAIN SHAFT) (11.1 THICK)	1	FOR SELECTION
19	269126208616	SPACER (MAIN SHAFT) (11.0 THICK)	1	FOR SELECTION
19	269126208617	SPACER (MAIN SHAFT) (10.9 THICK)	1	FOR SELECTION
19	269126208618	SPACER (MAIN SHAFT) (10.8 THICK)	1	FOR SELECTION
19	269126208619	SPACER (MAIN SHAFT) (10.7 THICK)	1	FOR SELECTION
19	269126208620	SPACER (MAIN SHAFT) (10.5 THICK)	1	FOR SELECTION
19	269126208624	SPACER (MAIN SHAFT) (11.6 THICK)	1	FOR SELECTION
19	269126208625	SPACER (MAIN SHAFT) (11.5 THICK)	1	FOR SELECTION
19	269126208626	SPACER (MAIN SHAFT) (10.5 THICK)	1	FOR SELECTION
19	269126208627	SPACER (MAIN SHAFT) (10.4 THICK)	1	FOR SELECTION
20	269126203103	TAPER ROLLER BRG. 28580/521 BS1/2/3/4	1	
23	268826205407	SPEEDO GEAR (M/SHAFT)	1	OPTIONAL
23	268826205407	ASSY SPEEDO GEAR NYLON(MAIN SHAFT)	1	OPTIONAL
24	269126208601	SPACER	1	
25	269126207814	OIL SEAL BS1/2/3/4	1	
29	269126200165	ASSY COUPLING FLANGE (165 DIA)	1	UPTO SEPT06
29	269126200193	ASSY COUPLING FLANGE(DIA 150)WITH DUST COVER	1	FOR SELECTION FROM OCT06
29	269126205109	COUPLING FLANGE (DIA 150)W/O DUST COVER	1	FOR SELECTION FROM OCT06
30	268826206501	LOCK NUT BS1/2/3/4	1	



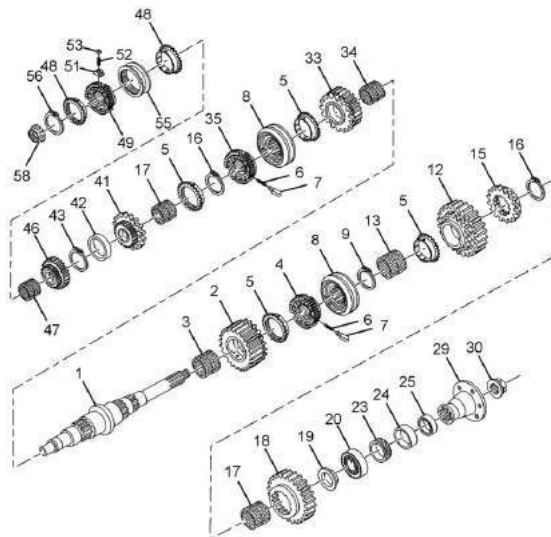
LPT1518-26 26 05

H07

Updated on : Thu May 5 2022 20:15:02

VC No : 20820132000R Group : (26) GEARBOX Table : (26.26.05-MAIN SHAFT AND GEARS)

Fig.	Part No	Part Description	Qty	Remarks
33	269126205438	3RD SPEED GEARM/SHAFT(LOOSE SYN.RING)	1	
	269126204643	SYNC. RING 1/2/3 SP (38T/51T)LOOSE BS2/3	1	
34	269126200142	ASSY. NEEDLE CAGE-1ST/2ND/3RD GEAR BS1-6	1	
35	269126204642	ENG. GEAR(3RD/4TH) LOOSE SYN. RING BS1-4	1	
8	269126204618	SHIFTER SLEEVE (51T)(1ST/2ND & 3RD/4TH)	1	
7	250726206702	RETENTION PIN	3	
6	250726208705	COMPRESSION SPRING	3	
5	269126204650	SYNCHRO CONE 1/2/3/4 (CARBON) BS1/2/3/4	2	
16	269126204301	CRICLIP (1.8 THICK)	1	FOR SELECTION
16	269126204302	CIRCLIP (1.9 THICK)	1	FOR SELECTION
16	269126204303	CIRCLIP (2.0 THICK)	1	FOR SELECTION
16	269126204304	CIRCLIP (2.1 THICK)	1	FOR SELECTION
16	269126204305	CIRCLIP (2.2 THICK)	1	FOR SELECTION
16	269126204310	CIRCLIP (2.3 THICK)	1	FOR SELECTION
16	269126204311	CIRCLIP (2.4 THICK)	1	FOR SELECTION
17	269126203106	NEEDLE CAGE (REV.GEAR) BS1-6	1	
41	269126205439	4TH SPEED GEARM/SHAFT(LOOSE SYN.RING)	1	FOR 9.19/8.47 RATIO
	269126204644	SYNCHRO RING (45T) (4TH SPD) LOOSE BS2/3	1	
42	269126208629	SPACER (MAIN SHAFT) BS1/2/3/4	1	
43	269126204306	CIRCLIP (2.4 THK)	1	FOR SELECTION
43	269126204307	CIRCLIP(2.5 THK)	1	FOR SELECTION
43	269126204308	CIRCLIP(2.6 THK)	1	FOR SELECTION
43	269126204309	CIRCLIP (2.7 THK)	1	FOR SELECTION
43	269126204312	CIRCLIP (2.8 THK.)	1	FOR SELECTION
43	269126204322	CIRCLIP (2.9 THK)	1	FOR SELECTION



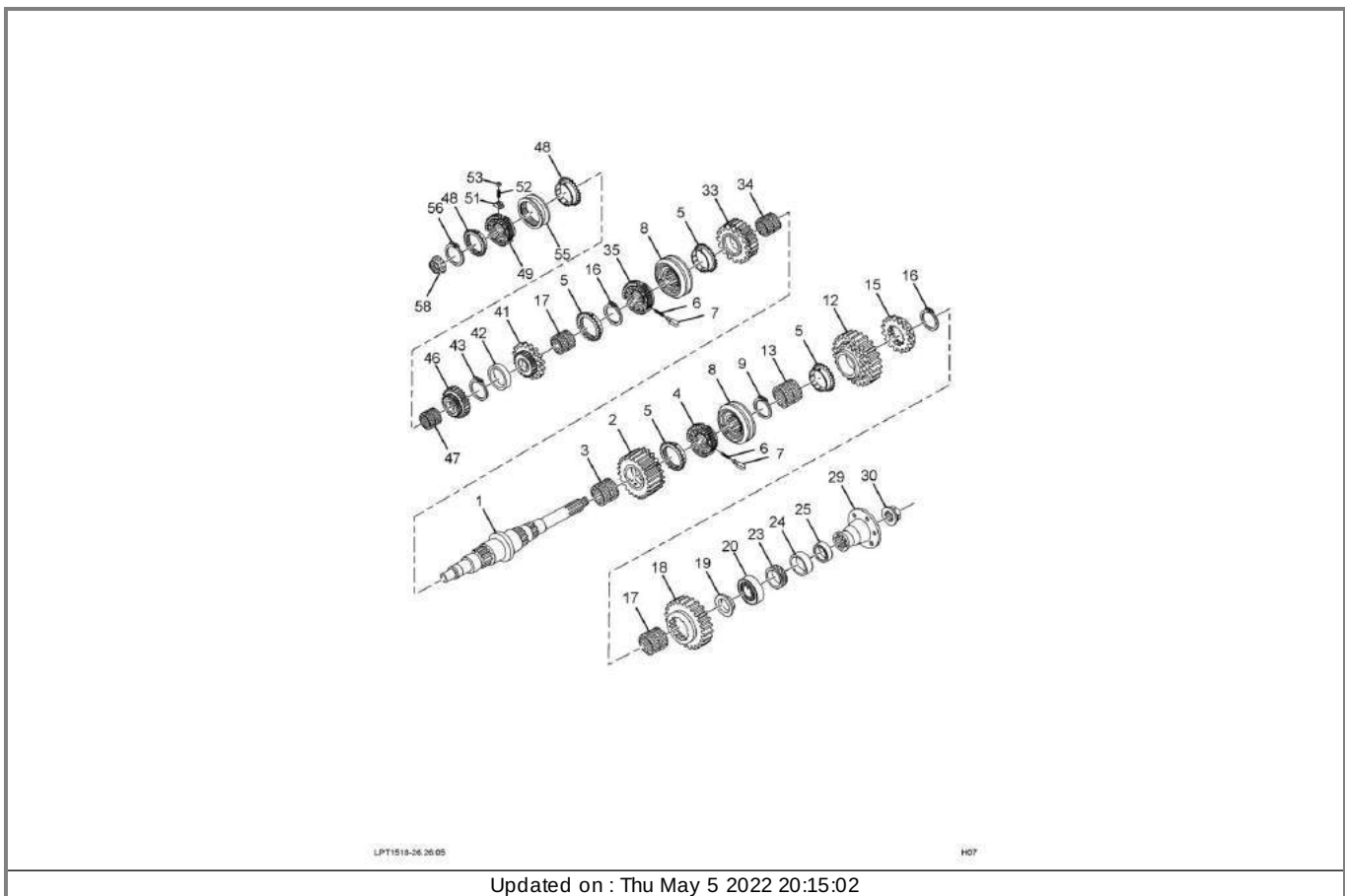
LPT1518-26 26 05

H07

Updated on : Thu May 5 2022 20:15:02

VC No : 20820132000R Group : (26) GEARBOX Table : (26.26.05-MAIN SHAFT AND GEARS)

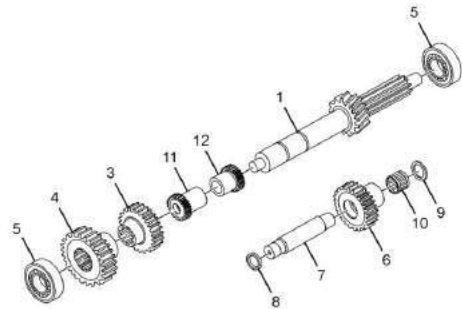
Fig.	Part No	Part Description	Qty	Remarks
46	269126205440	5TH SPEED GEARM/SHAFT(LOOSE SYN.RING)	1	
	269126204645	SYNCHRO RING (5TH SPEED) BS2/3	1	
47	269126200143	ASSY. NEEDLE CAGE-4TH GEAR BS1/2/3/4/6	1	
48	269126204651	SYNCHRO CONE (5/6 SPEED) BS1/2/3/4	1	
49	269126204640	ENG. GEAR (48T/48T/34T)(5TH/DS)BS1/2/3/4	1	
51	268826209901	CARRIER	3	
52	3219930701	COMPRESSION SPRING	3	
53	268826206702	RETENTION PIN (3/4)	3	
55	268826204608	SHIFTER SLEEVE G-600 BS1/2/3/4	1	
56	251526204312	CIRCLIP 2.50 THICK (5TH SPEED)	1	FOR SELECTION
56	251526204313	CIRCLIP 2.54 THICK (5TH SPEED)	1	FOR SELECTION
56	251526204314	CIRCLIP 2.58 THICK (5TH SPEED)	1	FOR SELECTION
56	251526204315	CIRCLIP 2.62 THICK (5TH SPEED)	1	FOR SELECTION
56	251526204316	CIRCLIP 2.66 THICK (5TH SPEED)	1	FOR SELECTION
56	251526204333	CIRCLIP 2.70 THICK (5TH SPEED)	1	FOR SELECTION
56	251526204334	CIRCLIP 2.80 THICK (5TH SPEED)	1	FOR SELECTION
56	251526204335	CIRCLIP 2.75 THICK (5TH SPEED)	1	FOR SELECTION
58	269126253105	CYL, ROLLER BRG. AR 7.5 75 100 BS1/2/3/4	1	
-	269126253113	ROLLER THRUST BRG.ARRGMT BS1/2/3/4	15	



Updated on : Thu May 5 2022 20:15:02

VC No : 20820132000R Group : (26) GEARBOX Table : (26.26.06-COUNTER SHAFT, GEARS AND REVERSE GEAR)

Fig.	Part No	Part Description	Qty	Remarks
1	269126307909	COUNTER SHAFT (G600) BS1/2/3/4	1	
11	269126305424	3RD GEAR COUNTER SHAFT (22T) BS1/2/3/4	1	
12	269126305425	4TH GEAR COUNTER SHAFT (27T) BS1/2/3/4	1	
3	269126305410	5TH GEAR COUNTER SHAFT (32T) BS1/2/3/4	1	
4	269126305411	CONST.MESH GEAR (C/SHAFT)(40T) BS2/3/4	1	
5	269126303104	TAPER ROLLER BRG. 25572/25520 BS1/2/3/4	2	
6	269126355403	REVERSE IDLER GEAR (21T) BS1/2/3/4	1	
7	269126357902	REVERSE IDLER SHAFT	1	
8	269126358601	SPACER	1	
9	251626356102	THRUST WASHER (REVERSE IDLER GEAR)	1	
10	269126353103	STEEL ROLLER CAGE \\"OFFER DRG\"	2	



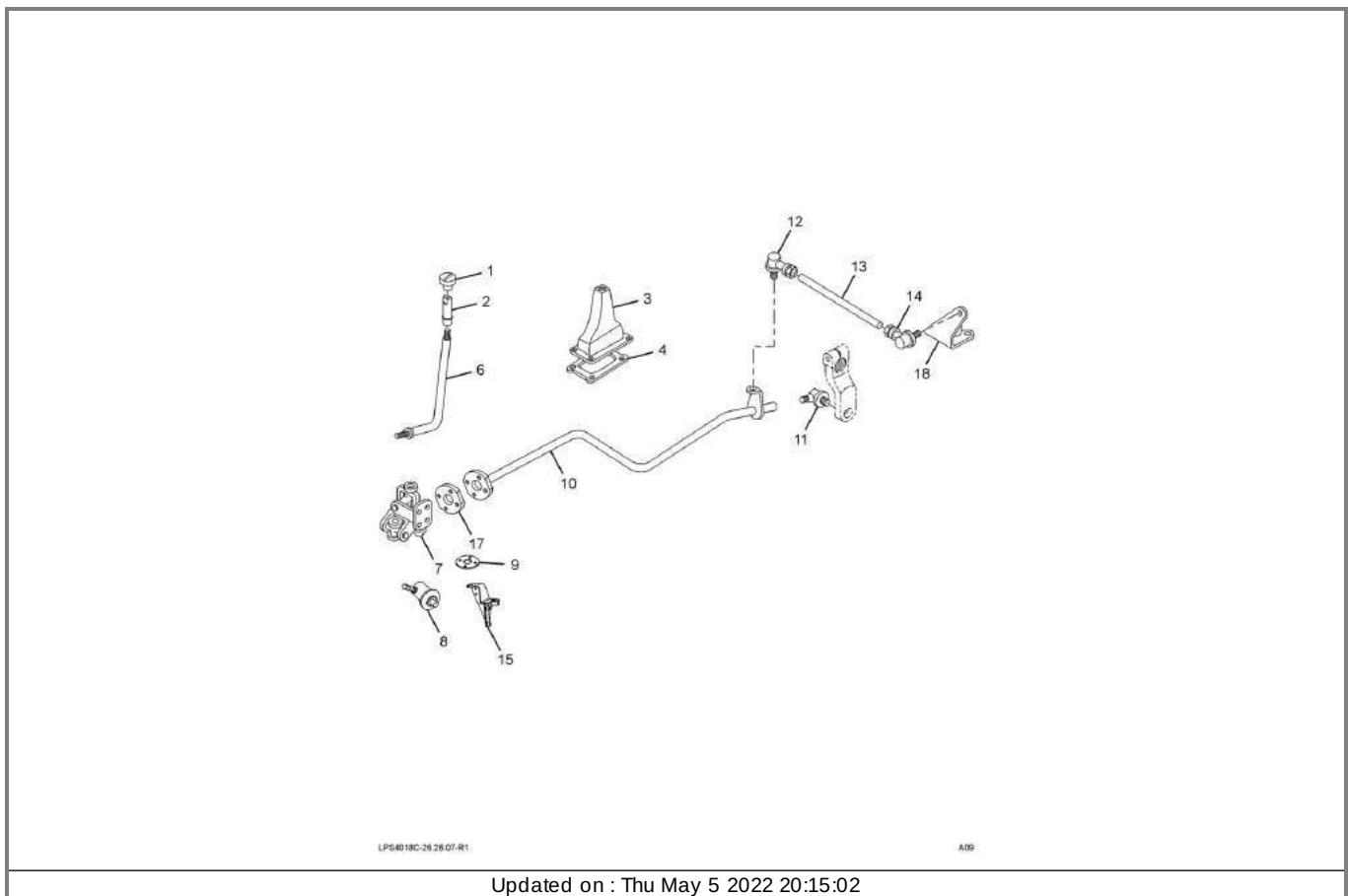
LPS2516C-26 26 06

F07

Updated on : Thu May 5 2022 20:15:02

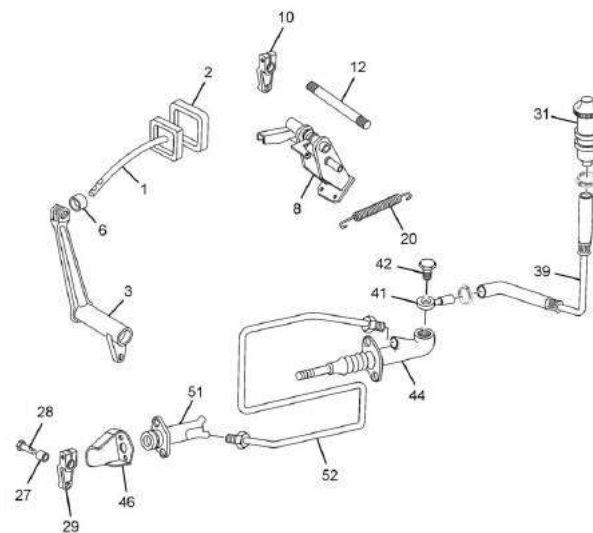
VC No : 20820132000R Group : (26) GEARBOX Table : (26.26.07-GEAR SHIFT LINKAGE)

Fig.	Part No	Part Description	Qty	Remarks
1	275126800134	ASSY GEAR SHIFT LEVER KNOB	1	
2	276326800113	ASSY SPACER (G.S. LEVER)	1	
3	275126807702	REXENE BELLOW BS1/2/3/4	1	
4	276326800114	ASSY CLAMP PLATE (RUBBER BELLOW)	1	
6	275126809906	GEAR SHIFT LEVER	1	
7	275126800154	ASSY. HOUSING BLOCK BS1/2/3/4	1	
8	250726700151	SUB ASSY. BALL & SOCKET JOINT BS1- 4/6	1	
9	275026805303	GASKET	1	
10	284126800103	TURNING TUBE ASSY (W/O BALL JOINT)	1	
11	250726700152	SUB ASSY. BALL & SOCKET JOINT BIG BS1-4	1	
12	264126800224	ASSY. BALL JOINT RH THREADS BS1/2/3/4	1	
13	275726807901	LINK ROD ASSY (W/O BALL JOINTS)	1	
14	264126800225	ASSY. BALL JOINT BS1/2/3/4/6	1	
15	284126800101	ASSY BRACKET (G.S. LEVER)	1	
17	275026805301	GASKET	4	
18	269126710109	BRACKET ASSY (ON GEAR BOX)	1	



VC No : 20820132000R Group : (29) CONTROLS Table : (29.29.01-PEDALS)

Fig.	Part No	Part Description	Qty	Remarks
1	257429100101	ASSY PEDAL PLATE.	1	
2	3202925082	RUBBER COVER BRAKE & CLUTCH PEDAL	2	
3	284129100101	LEVER ASSY	1	
-	3122911197	SEALING WASHER CLUTCH PEDAL	1	
-	11323998045	HEX SCREW M10X25 (PEDAL PLATE TO PEDAL LEVER)	1	
6	3222930077	WASHER BRAKE PEDAL	1	
8	208229500101	ASSY CONTROL MTG.BKT.WITH CYL.MTG.BKT	1	
-	3122941050	BUSH, PEDAL SHAFT SUPPORT BEARING	2	
10	284129100102	ASSY CLUTCH LEVER	1	
12	275129106902	TUBE, CLUTCH LEVER	1	
20	3129932510	RETURN SPRING CLUTCH PEDAL LEVER	1	
27	275129506301	BUSH	1	
28	13181530256	CLEVIS PIN 10 F 8X28X24	1	
29	275429106007	CLUTCH RELEASE LEVER	1	
31	283929100105	ASSY CLUTCH FLUID RESERVOIR WTH CLAMP-RH	1	
-	257343107502	RUBBER GROMMET	1	
39	208229150101	ASSY CONNECTING LINE (FOR HYD. CLUTCH)	1	
41	275029100107	NIPPLE & PIPE UNION ASSY	1	
42	264143106801	PIPE UNION BOLT	1	
44	208229100101	ASSY ALUMINIUM MASTER CYLINDER	1	OPTIONAL
44	275029100102	CLUTCH MASTER CYL. 19.05X36 DIA. BS1- 4	1	OPTIONAL
46	275429350101	ASSY BRACKET (RH) (SLAVE CYL. MOUNTING)	1	
51	275429100106	CLUTCH SLAVE CYLINDER BS1/2/3/4	1	
52	207729150108	TUBE ASSY (6.0D.X2380 LG.) MASTER CL. TO SLAVE CYL.	1	
-	265429100157	REPAIR KIT MAJOR SLAVE CYLINDER,CONSISTS OF :	1	



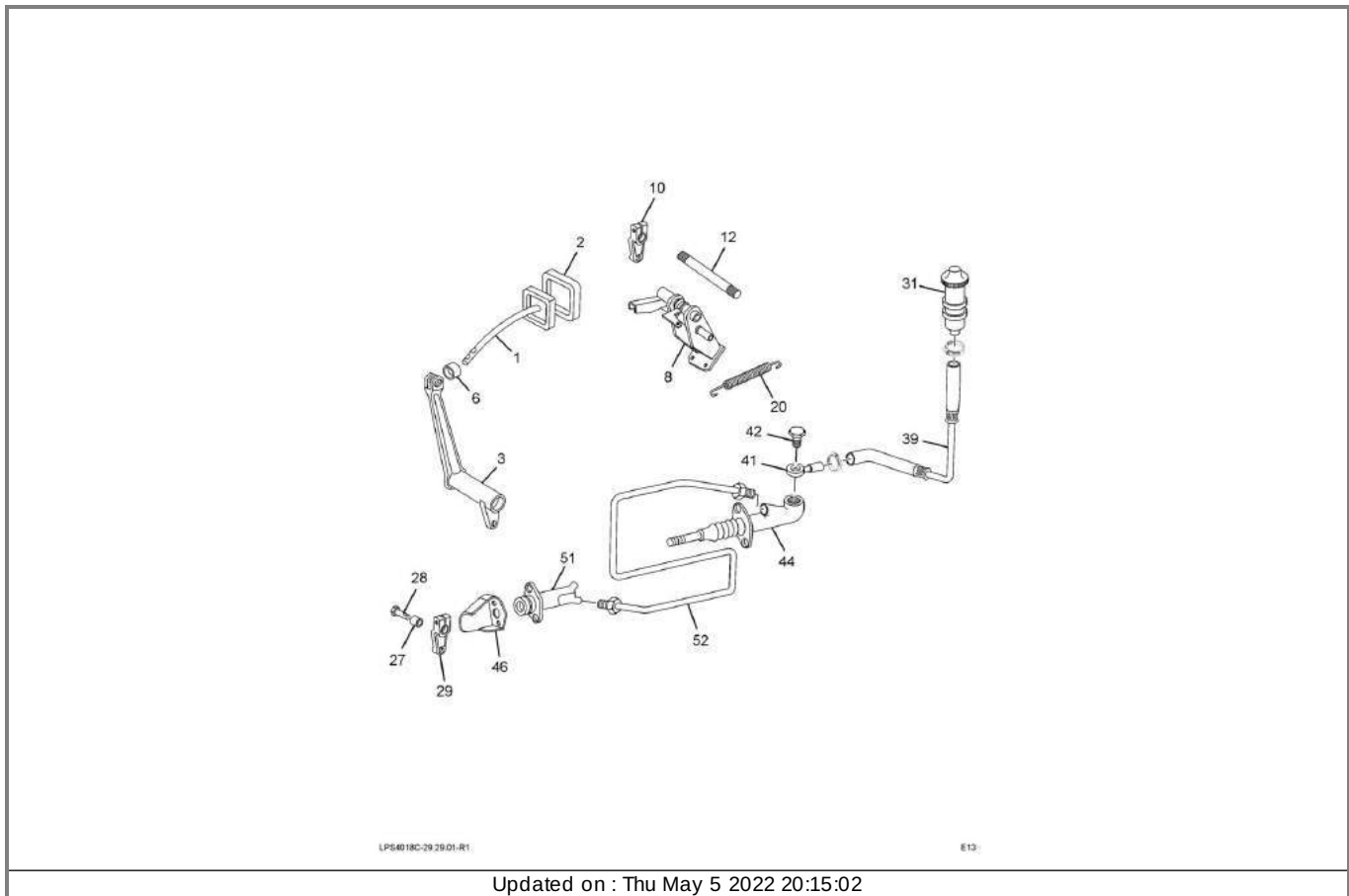
LPS4018C-29.29.01-R1

E13

Updated on : Thu May 5 2022 20:15:02

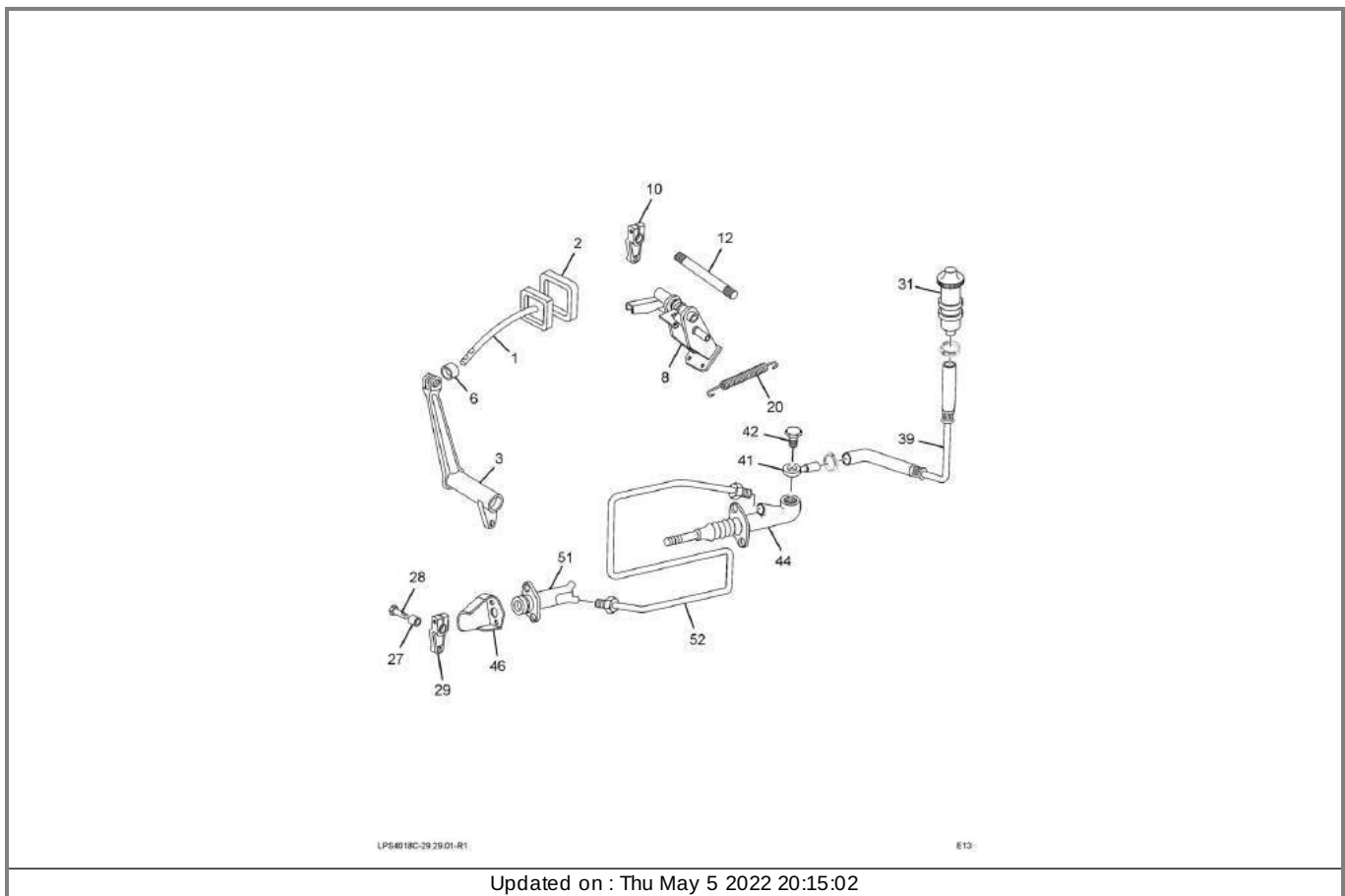
VC No : 20820132000R Group : (29) CONTROLS Table : (29.29.01-PEDALS)

Fig.	Part No	Part Description	Qty	Remarks
-	-----	CIRCLIP	1	
-	-----	CLIP	1	
-	-----	PISTON	1	
-	-----	SEAL	1	
-	-----	PISTON SEAL	1	
-	-----	RUBBER BELLOW	1	
-	-----	O RING	1	
-	-----	GREASE TUBE	1	
	265429100156	REPAIR KIT MINOR SLAVE CYLINDER,CONSISTS OF :	1	
-	-----	CIRCLIP	1	
-	-----	CLIP	1	
-	-----	SEAL	1	
-	-----	PISTON SEAL	1	
-	-----	RUBBER BELLOW	1	
-	-----	O RING	1	
-	-----	GREASE TUBE	1	
	269929100293	MAJOR KIT	1	
	-----	PLUNGER ASSY	1	
	-----	DUST COVER	1	
	-----	CRIMPING SLEEVE	1	
	-----	CIRCLIP	1	
	-----	GREASE TUBE	1	
	269929100294	MINOR REPAIR KIT AL.MASTER CYLINDER,CONSISTS OF:	1	
	-----	DUST COVER	1	
	-----	CRIMPING SLEEVE	1	



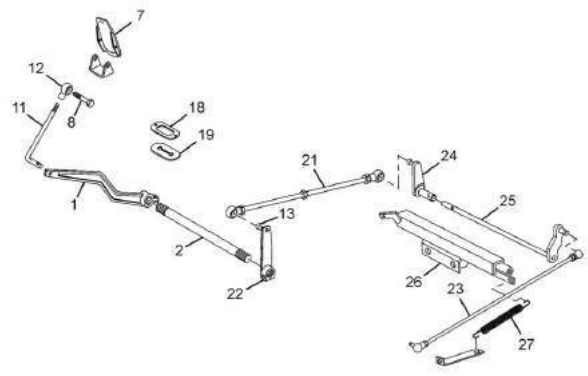
VC No : 20820132000R Group : (29) CONTROLS Table : (29.29.01-PEDALS)

Fig.	Part No	Part Description	Qty	Remarks
	-----	SEAL PRESSURE	1	
	-----	SEAL BACK	1	
	-----	VALVE SEAL	1	
	-----	SPRING	1	
	-----	CIRCLIP	1	
	-----	SPRING WASHER	1	
	-----	GREASE TUBE	1	



VC No : 20820132000R Group : (30) ACCELERATOR Table : (30.30.01-ACCELERATOR CONTROLS)

Fig.	Part No	Part Description	Qty	Remarks
1	284130100103	ASSY LEVER ACCELERATOR PEDAL	1	
2	260830107903	SHAFT ACCELERATOR PEDAL	1	
7	257630103804	ACCELERATOR PEDAL	1	
-	275130100122	STOPPER ASSY	1	
-	269630107703	RUBBER CAP (FOR ACCELERATOR STOPPER)	1	
8	257630106705	PIN	1	
11	284130100104	ASSY THRUST ROD	1	
12	17271201001	BALL END B 10	1	
13	17271601000	BALL PIN C 10	1	
18	257681508204	RETAINING PLATE	1	
19	257681506305	RUBBER PAD	1	
21	275130100125	ASSY PULL ROD (922 MM LONG)	1	
22	284130100102	ASSY ACCELERATOR LEVER	1	
23	276830100107	ASSY PULL ROD (760 MM LONG)	1	
24	275130100104	ASSY LEVER	1	
25	275130100114	ASSY CONTROL SHAFT	1	
26	284130100101	ASSY BRACKET	1	
27	3229930310	RETURN SPRING	1	



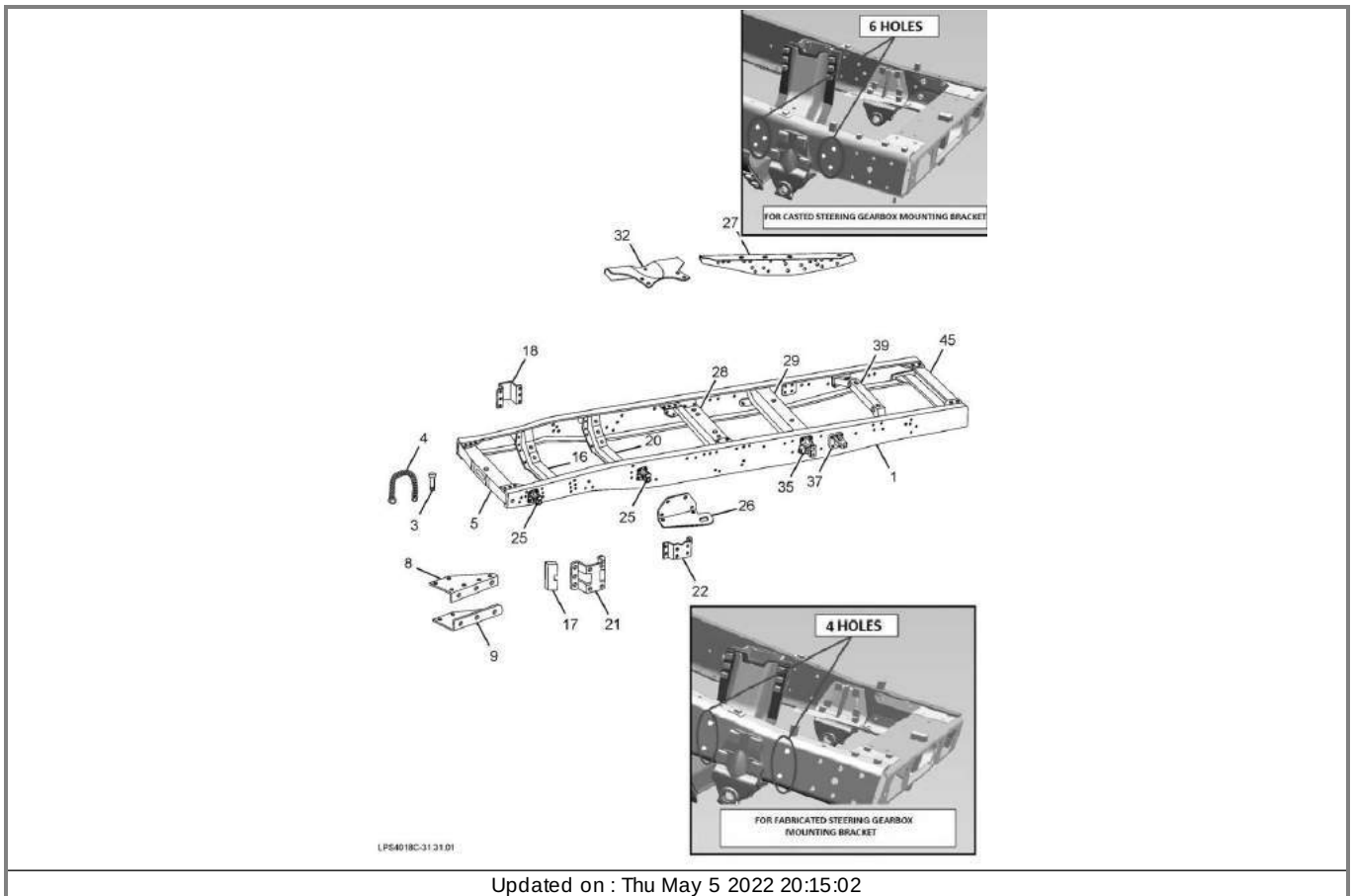
LPS4018C-30.30.01

808

Updated on : Thu May 5 2022 20:15:02

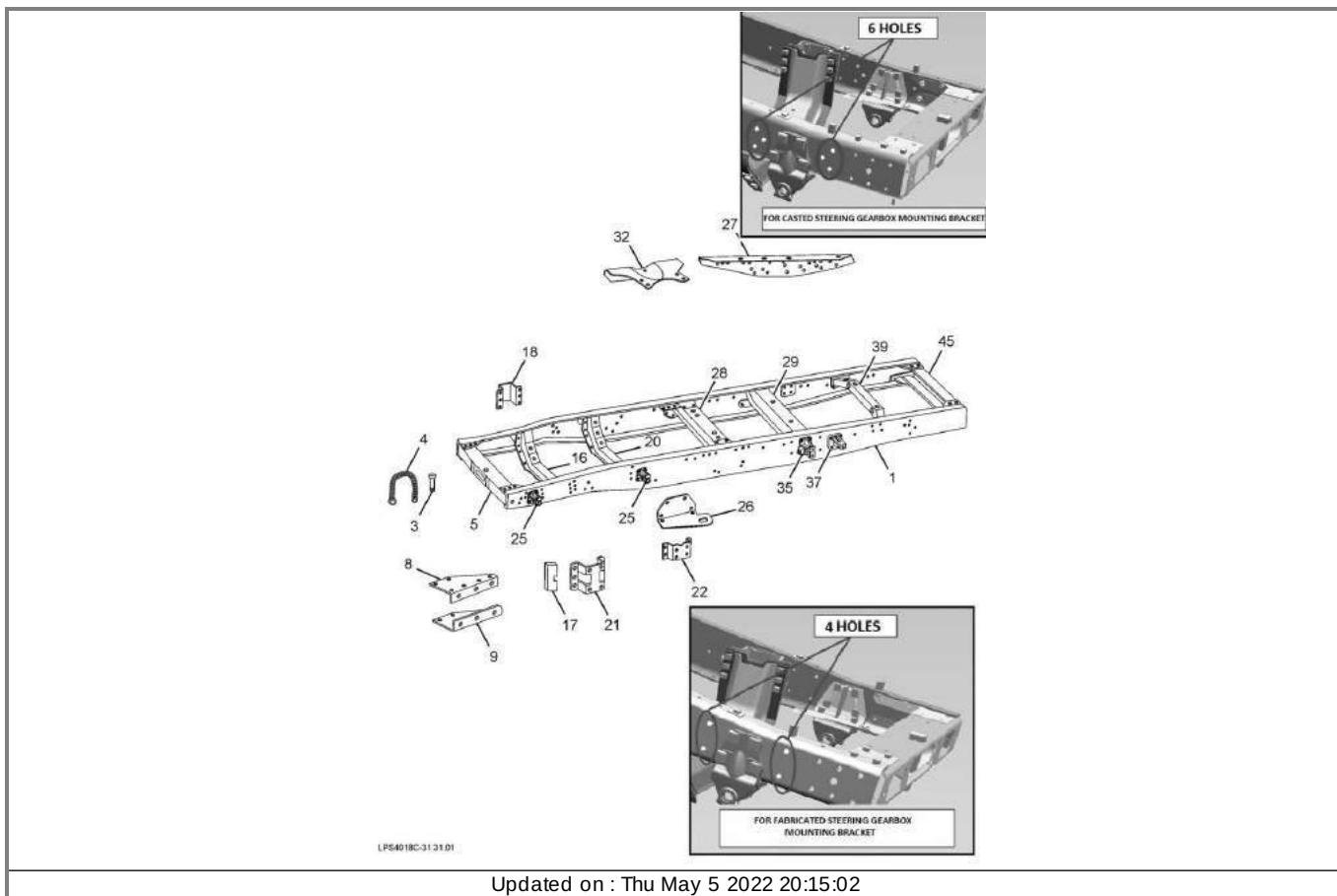
VC No : 20820132000R Group : (31) FRAME Table : (31.31.01-FRAME)

Fig.	Part No	Part Description	Qty	Remarks
1	284131000103	ASSY. FRAME WITH FITMENT BS2/3/4	1	NEW - FOR CAST STEERING GEAR B
1	208231000112	ASSY. FRAME WITH FITMENT BS1/2/3/4	1	(OLD - FOR FABRICATED STEERING
3	257631506701	COUPLING PIN	1	
4	3043100207	ASSY CHAIN WITH RING & LOCKING HOOK	1	
5	284131200101	ASSY. BUMPER CROSS MEMBER BS1/2/3/4	1	
8	275131308201	GUSSET RH (BUMPER CROSS MEMBER)	2	
9	275131308202	GUSSET LH (BUMPER CROSS MEMBER)	2	
-	0429900140J	WASHER (GUSSET TO L.M. & CROSS MEMBER)	8	
16	208231200103	ASSY ENGINE CROSS MEMBER(FRONT) WITH SPACER	1	FOR SELECTION
16	277031200115	ASSY ENGINE CROSS MEMBER (FRONT) W/O SPACER	1	FOR SELECTION
17	276831208206	PACKING PLATE	AR	
17	276831208207	PACKING PLATE	AR	
21	208231200101	ASSY SUPPORT LH (ENGG. MTG. C.M. FRONT)	1	
21	208231200102	ASSY SUPPORT RH (ENGG. MTG. C.M. FRONT)	1	
18	276831207109	SPACER PLATE (ENGINE CROSS MEMBER FRONT)	4	
20	208031200101	ASSY ENGINE CROSS MEMBER- REAR	1	
22	276831200108	ASSY SUPPORT ENGINE CROSS MEMBER (REAR)	2	
25	257632103304	SPRING BRACKET - FRONT	4	
26	276831200109	ASSY REINFORCEMENT RH (FRONT SPRING BRACKET)	1	
26	276831200110	ASSY REINFORCEMENT LH (FRONT SPRING BRACKET)	1	
27	276831207124	REINFORCEMENT RH (FRONT SPRING BRACKET REAR)	1	
27	276831207125	REINFORCEMENT LH (FRONT SPRING BRACKET REAR)	1	
28	276831200113	CROSS MEMBER WITH SUPPORT	1	
-	257631307134	REINFORCEMENT RH	1	
-	257631307135	REINFORCEMENT LH	1	



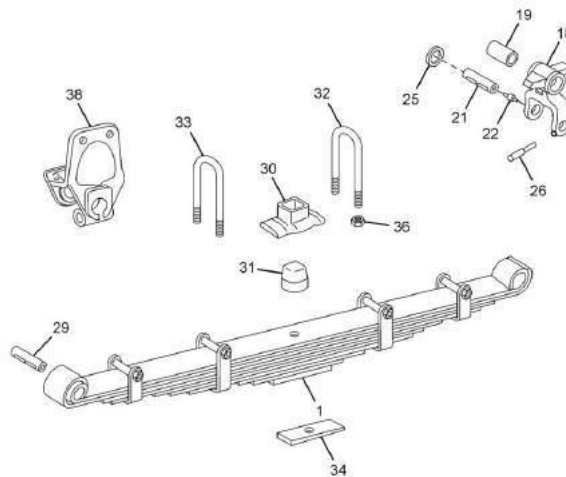
Updated on : Thu May 5 2022 20:15:02

VC No : 20820132000R Group : (31) FRAME Table : (31.31.01-FRAME)				
Fig.	Part No	Part Description	Qty	Remarks
29	276831200114	ASSY SPR. CROSS MEMBER WITH SUPPORT	1	FOR SELECTION
29	257631207123	CROSS MEMBER REAR SPRING	1	FOR SELECTION
32	206731207178	SUPPORT REAR SPRING CROSS MEMBER REAR	2	
35	257632403311	SPRING BRACKET FRONT REAR SPRING	6	
-	3409900201	BOLT M14X1.5X45 (CROSS MEMBER,SUPPORT,SPG.BRKT FRT TO LONG MEMBER)	8	
37	257632403310	HELPER SPRING BRACKET	4	
39	257631200103	CROSS MEMBER REAR SHOCK ABSORBER ASSY	1	
45	276831200118	END CROSS MEMBER WITH GUSSET	1	
-	276831700101	ASSY BOTTOM SHIELD (RADIATOR SIDE)	1	
-	284131700102	ASSY BOTTOM SHIELD (ENGINE SIDE)	1	
-	280831700103	ASSY SUPPORT BRACKET (ENGINE SIDE)	1	
-	284131700105	ASSY SUPPORT BRACKET (FRT. ENG. SIDE)	1	
-	284131700103	ASSY TRANSMISSION SHIELD (FRT. SIDE)	1	
-	284131700104	ASSY TRANSMISSION SHIELD (REAR SIDE)	1	



VC No : 20820132000R Group : (32) SUSPENSION Table : (32.32.01-FRONT SPRING)

Fig.	Part No	Part Description	Qty	Remarks
	-----	MULTI-LEAF SPRING		
1	222232100102	ASSY. LEAF SPRING FRONT BS1/2/3/4	2	
18	217132100106	ASSY SPRING SHACKLE FRONT SPRING	2	
19	257632103401	BUSH	2	
21	257632106702	SPRING PIN	6	
22	17170601602	GREASE NIPPLE AM 16X1.5	6	
25	257332400119	SEALING RING ASSY	12	
26	0429900037J	COTTER PIN BS1/2/3/4/6	6	
29	257632106702	SPRING PIN	2	
30	257632203701	GUIDE PLATE	2	
31	257632207701	RUBBER BUFFER	2	
32	277032204201	U CLMAP (310 LENGTH - M20X1.5)	2	
33	263232204203	U CLAMP	2	
34	3423220084	CASTER PLATE LH	2	
-	283932208601	SPACER	4	
36	12051696041	HEX NUT M 20X1.5	16	
38	257632103304	SPRING BRACKET - FRONT	4	
	-----	PARABOLIC SPRING		
	284132100106	ASSY FRONT SPRING PARABOLIC	2	
	278232100144	ASSY. FIRST LEAF W/BUSH BS1/2/3/4/6	2	
	257632103401	SPRING BUSH(FRONT-BI-METALLIC)	4	
	278232107170	SECOND LEAF	2	
	278232107171	THIRD LEAF	2	
	278232107172	PACKING PLATE	8	
	278232107173	CENTRE PAD	6	

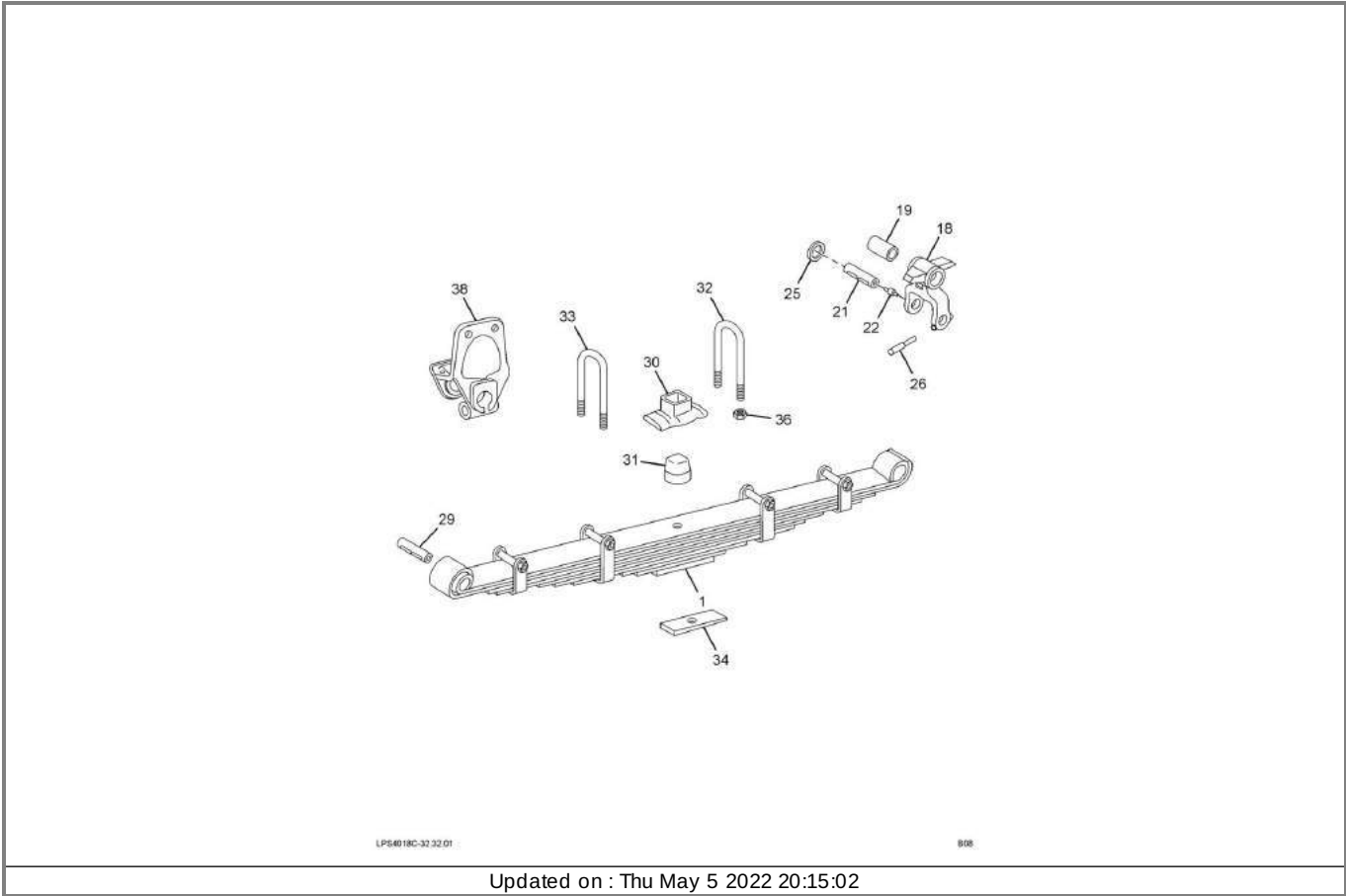


LPS4018C-32.32.01

808

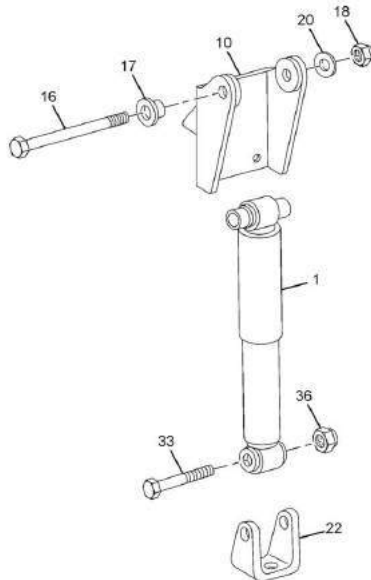
Updated on : Thu May 5 2022 20:15:02

VC No : 20820132000R Group : (32) SUSPENSION Table : (32.32.01-FRONT SPRING)				
Fig.	Part No	Part Description	Qty	Remarks
	284132103203	CENTRE BOLT	2	
	12052296054	HEX NUT M12	2	
	257532204204	U BOLT M20X1.5X250	2	UPTO MAY 2016
	278232204201	U BOLT M20X1.5X230	2	FROM JUNE 2016
	277032204203	U BOLT M20X1.5X280	2	UPTO MAY 2016
	257532204207	U BOLT M20X1.5X270	2	FROM JUNE 2016
	277032600101	ASSY. REAR SHOCK ABSORBER BS1/2/3/4	2	
	278232300101	ASSY BRACKET (FRONT SHOCK ABSORBER)	2	
	275432107101	CASTER PLATE RH	1	
	283932208602	SPACER	4	
	278232103301	SPRING BRACKET- FRONT	4	



VC No : 20820132000R Group : (32) SUSPENSION Table : (32.32.02-FRONT SHOCK ABSORBER AND MOUNTING)

Fig.	Part No	Part Description	Qty	Remarks
1	257632300110	SHOCK ABSORBER FRONT BS1/2/3/4	2	
10	275132300101	BRACKET ASSY (FRONT SHOCK ABS. UPPER)	2	
-	284132100104	ASSY BRACKET - RH (AXLE STOPPER)	1	
-	284132100105	ASSY BRACKET - LH (AXLE STOPPER)	1	
-	263232107146	SPACER PLATE	2	
16	11063996299	H/BOLT M 20X1.5X130	2	
17	257632308604	SPACER	2	
18	12140698014	NYLOC NUT M 20X1.5	2	
20	257632309201	WASHER	4	
22	257632303308	SHOCK ABSORBER BRACKET LOWER	2	
-	257632308201	LOCKING SHEET	2	
33	11063996205	HEXBOLT M 20X1.5X90	2	
36	12140698014	NYLOC NUT M 20X1.5	2	



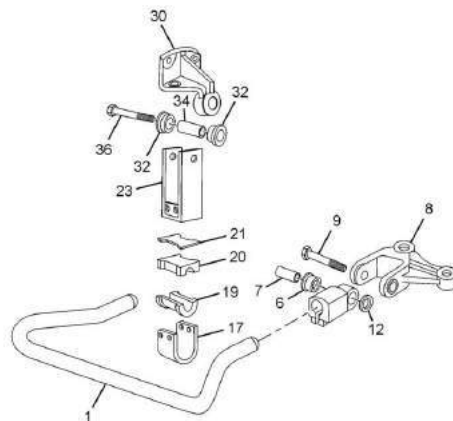
LPS4018C-32.32.02

808

Updated on : Thu May 5 2022 20:15:02

VC No : 20820132000R Group : (32) SUSPENSION Table : (32.32.03-ANTI ROLL BAR)

Fig.	Part No	Part Description	Qty	Remarks
1	257632800131	SUB ASSY. FRONT ANTIROLL BAR BS1/2/3/4	1	
6	257632807502	RUBBER BUSH	4	
7	257632808402	SLEEVE	2	
8	257632803311	BRACKET RH (AT FRONT AXLE)	1	
8	257632803312	BRACKET LH (AT FRONT AXLE)	1	
9	264032906702	MOUNTING PIN	2	
12	257632808306	SHIM	AR	
12	257632808307	SHIM	AR	
17	257632807103	CLAMP	2	
19	257632803402	BUSH HALF (BOTTOM)	2	
20	257632803403	BUSH HALF (TOP)	2	
21	257632808302	SHIM 2 mm	AR	
21	257632808303	SHIM 1 mm	AR	
21	257632808304	SHIM 0.5 mm	AR	
23	284132800103	CONNECTING LINK ASSY	2	
30	257632803307	BRACKET	2	
32	257632807501	RUBBER BUSH BS1/2/3/4/6	4	
34	257632808401	SLEEVE	2	
36	257632806703	MOUNTING PIN	2	

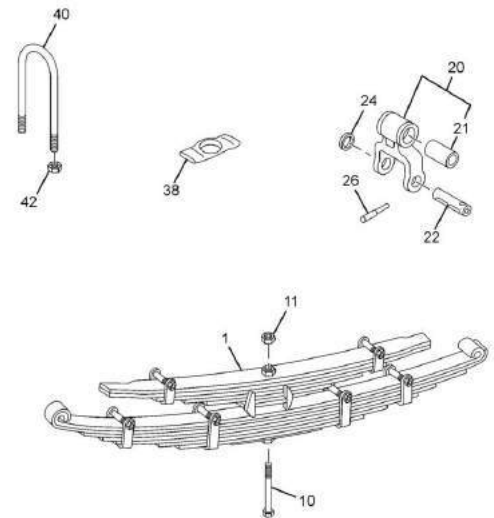


LP12515C-32-32 04-R1

D13

Updated on : Thu May 5 2022 20:15:02

VC No : 20820132000R Group : (32) SUSPENSION Table : (32.32.04-REAR SPRING AND SUSPENSION)				
Fig.	Part No	Part Description	Qty	Remarks
1	284132400101	ASSY. REAR SPRING W/ AUX. SPR. BS1/2/3/4	2	
10	284132403201	CENTRE PIN	2	
11	12051596020	HEX NUT M 16	2	
20	257632400107	ASSY SPRING SHACKLE REAR	2	
21	257632403401	BUSH	2	
22	257632406701	SPRING PIN	6	
24	261832400101	SEALING RING ASSY (REAR SPRING)	12	
26	0429900037J	COTTER PIN BS1/2/3/4/6	6	
38	278232505101	GUIDE PLATE	2	
40	284132404204	U CLAMP	4	
42	263232506501	NUT	8	

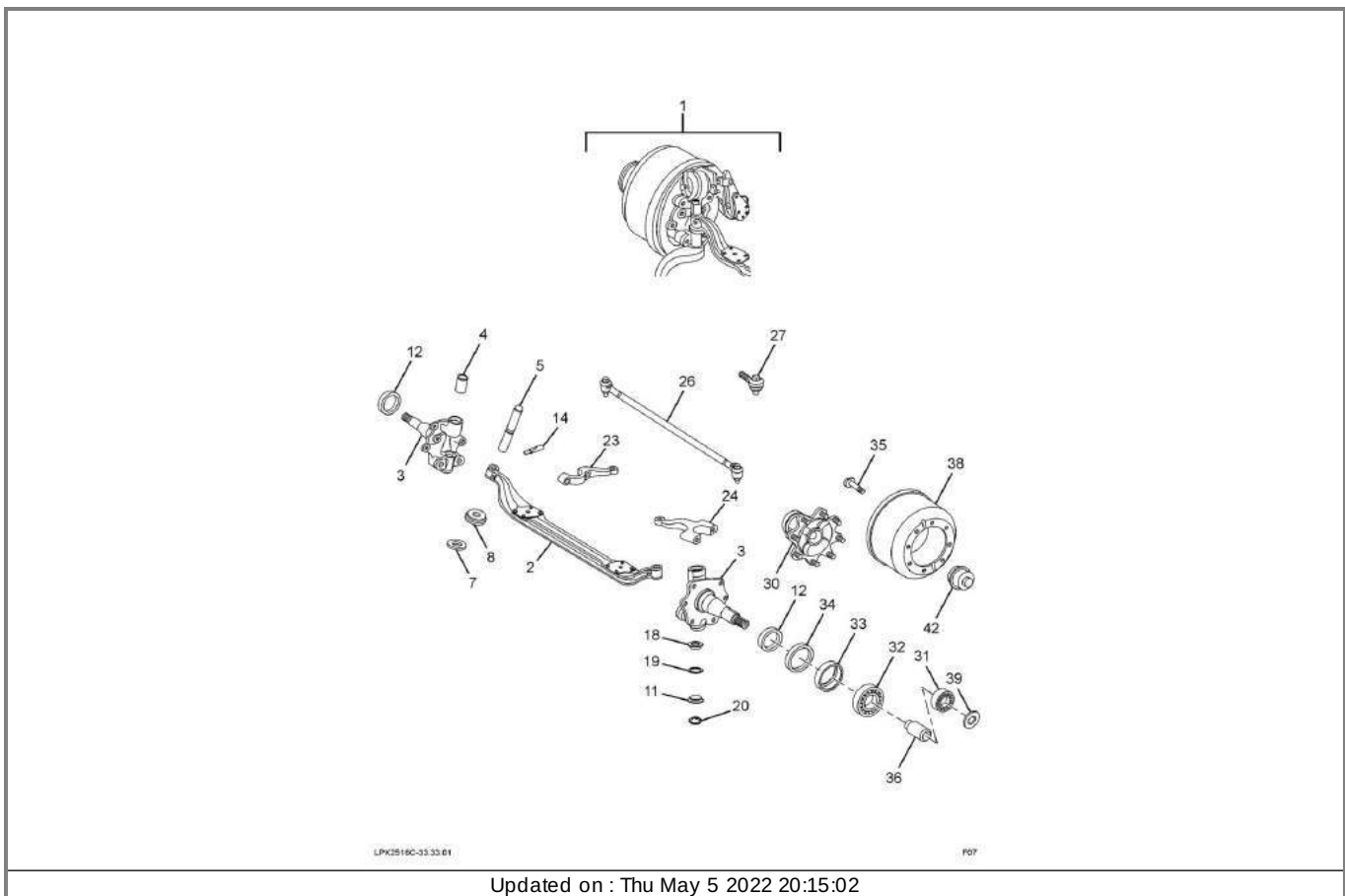


LPS4018C-32.32.04 508

Updated on : Thu May 5 2022 20:15:02

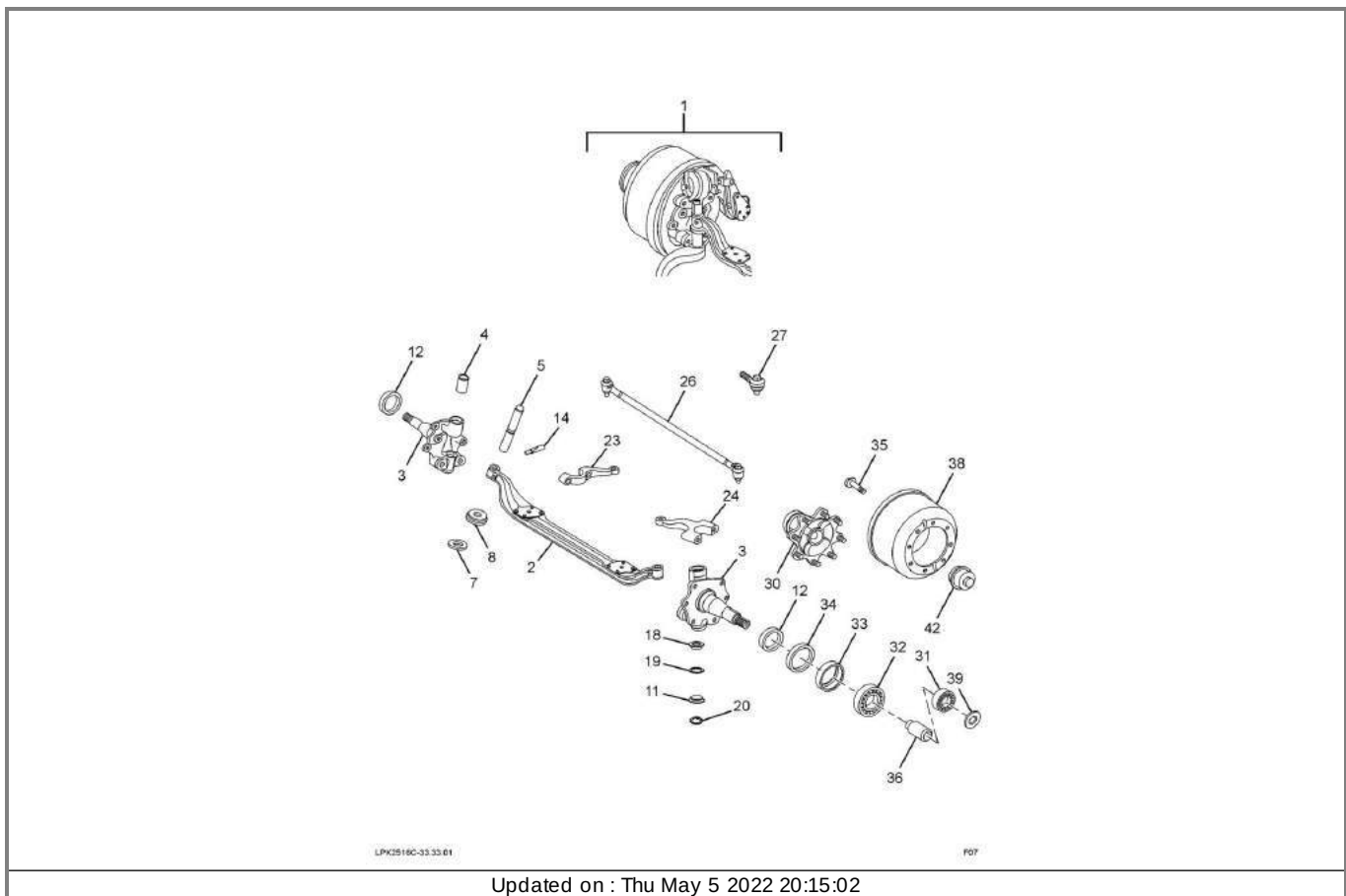
VC No : 20820132000R Group : (33) FRONT AXLE Table : (33.33.01-FRONT AXLE (W/O ABS BRAKES))

Fig.	Part No	Part Description	Qty	Remarks
1	275333000103	ASSY FRONT AXLE COMPLETE WITH BRAKES	1	
2	257633105110	FRONT AXLE BEAM STD BS1/2/3/4	1	
3	257533200125	STUB AXLE STD BS1/2/3/4	2	
4	257533203401	BUSH KING PIN BS1/2/3/4	4	
5	257633206709	KING PIN STD BS1/2/3/4	2	
-	257533209203	THRUST WASHER UPPER NORMAL BS2/3/4	1	
7	257533209207	THRUST WASHER LOWER STD BS1/2/3/4/6	1	
8	284633203101	TAPER ROLLER THRU BRG. NORMAL BS1/2/3/4	1	
-	263233100105	PLUG (STUB AXLE-TOP)	2	
11	257533206301	DUST CAP(STUB AXLE)	2	
12	257633208601	SPACER	2	
-	257633209212	THRUST WASHER	AR	FOR SELECTION
-	257633209215	THRUST WASHER	AR	FOR SELECTION
-	257633209216	THRUST WASHER	AR	FOR SELECTION
-	257633209217	THRUST WASHER	AR	FOR SELECTION
-	257633209218	THRUST WASHER	AR	FOR SELECTION
-	257633209219	THRUST WASHER	AR	FOR SELECTION
-	257633209220	THRUST WASHER	AR	FOR SELECTION
-	257633209221	THRUST WASHER	AR	FOR SELECTION
-	257633209222	THRUST WASHER	AR	FOR SELECTION
14	257633206707	COTTER PIN (KING PIN TO STUB AXLE)	2	70MM COTTER PIN
18	257633208202	SEALING CAP (STUB AXLE)	4	
19	257633207702	GASKET RING	2	
20	14580605002	INTERNAL CIRCLIP 50X2N	4	
23	257633805104	STEERING ARM LH BS1/2/3/4	1	

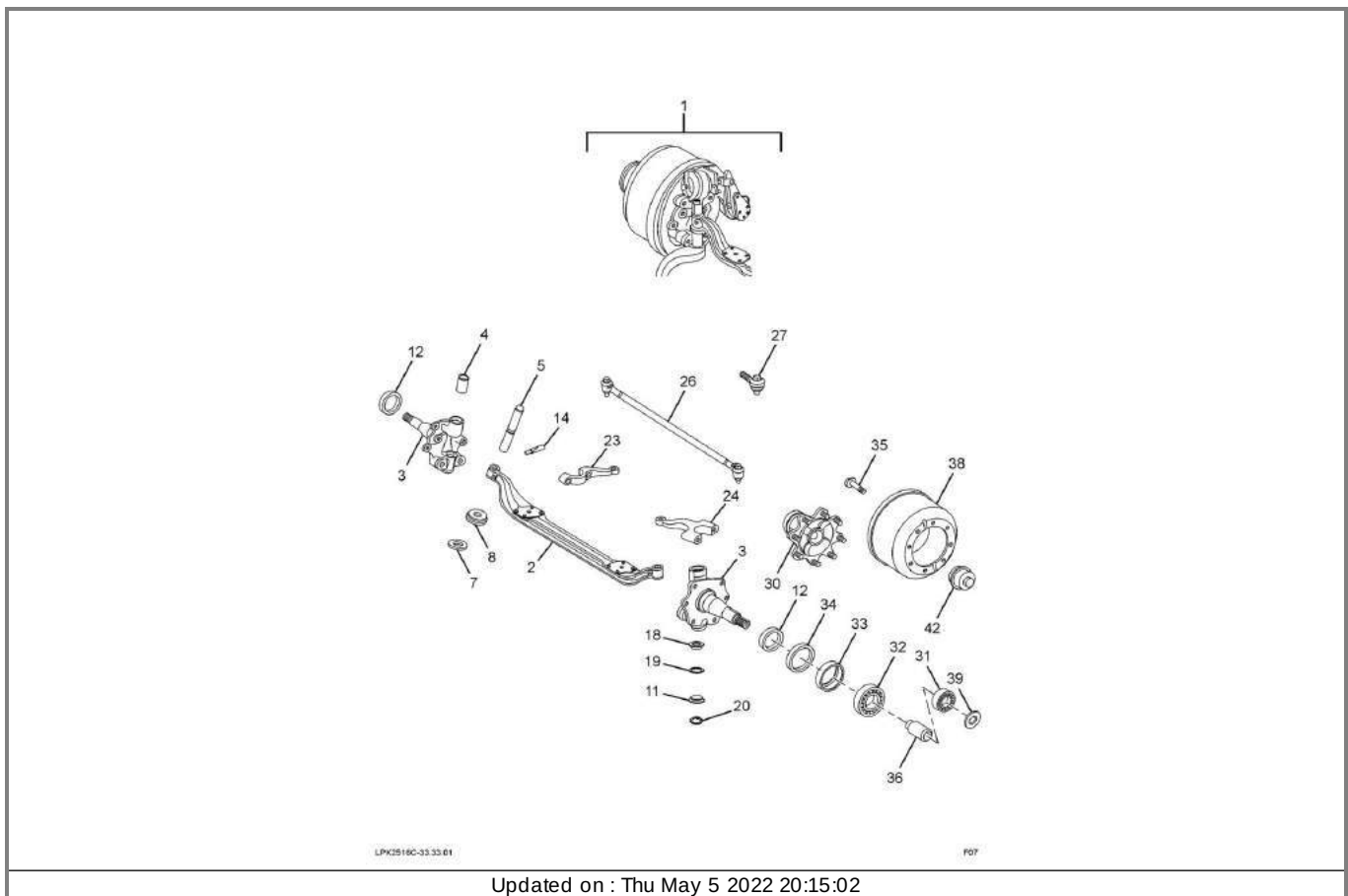


VC No : 20820132000R Group : (33) FRONT AXLE Table : (33.33.01-FRONT AXLE (W/O ABS BRAKES))

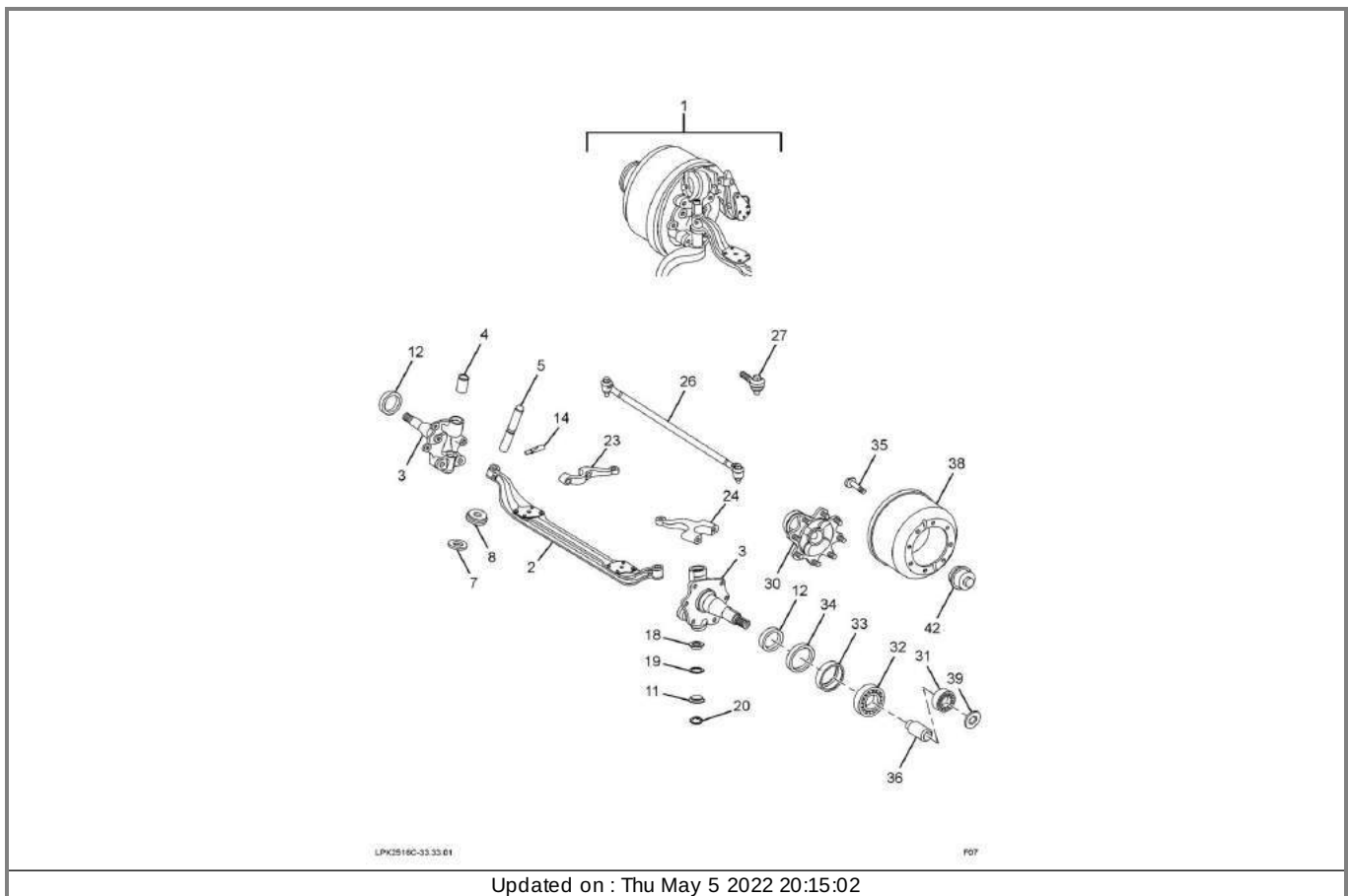
Fig.	Part No	Part Description	Qty	Remarks
23	257633805106	STEERING ARM RH BS1/2/3/4	1	
24	257633805107	STEERING ARM (TOP) BS1/2/3/4	1	
26	284633800112	ASSY. TIE ROD-FRONT AXLE BS1/2/3/4	1	
27	0003382629	ASSY. BALL JOINT LH BS1/2/3/4	1	
27	0003383429	ASSY. BALL JOINT RH BS1/2/3/4	1	
30	263133400101	ASSY WHEEL HUB,FRONT WITH HUB BOLT AND BEARINGS	2	FOR SELECTION
30	263133400108	ASSY WHEEL HUB,FRONT WITH HUB BOLT AND W/O BEARINGS	2	FOR SELECTION
31	257633403103	TAPER ROLLER BRG. 32308 BS1/2/3/4	2	
32	257633403101	TAPER ROLLER BRG. 565/562 BS1/2/3/4	2	
33	257633408601	SPACER	2	
34	257633407801	OIL SEAL FRONT HUB BS1/2/3/4	2	
35	263140106701	HUB BOLT FRONT M22 BS1/2/3/4/6	20	
36	503033408601	SPACER TUBE	2	
-	257433408304	SHIM 1.0 THK	AR	FOR SELECTION
-	257433408305	SHIM 0.5 THK	AR	FOR SELECTION
-	257433408306	SHIM 0.3 THK	AR	FOR SELECTION
-	257433408307	SHIM 0.1 THK	AR	FOR SELECTION
38	263142103701	BRAKE DRUM SPIGOTTED. BS1/2/3/4	2	
39	257533409201	THRUST WASHER BS1/2/3/4	2	
42	257333403703	FRONT HUB COVER	2	
-	282133209202	WASHER	1	
	0003300003J	REPAIR KIT-TIE ROD BS1/2/3/4	1	
-	-----	UPPER BALL CUP	2	
-	-----	LOWER BALL CUP	2	
-	-----	PRESSURE SPRING	2	



VC No : 20820132000R Group : (33) FRONT AXLE Table : (33.33.01-FRONT AXLE (W/O ABS BRAKES))				
Fig.	Part No	Part Description	Qty	Remarks
-	-----	LOCKING RING	2	
-	-----	SPHERICAL PIN	2	
-	-----	CASTLE NUT	2	
-	-----	SEAL CAP	2	
-	-----	THRUST WASHER (BRASS)	2	
-	-----	THRUST WASHER (STEEL)	2	
	8854331612	KIT KING PIN W/O BRG T/W BS1/2/3/4	1	
-	-----	CONSISTS OF :		
-	-----	KING PIN STD	2	
-	-----	KING PIN BUSH	4	
	885433011612	MAJOR KIT-KING PIN & BUSH-RS1 BS1/2/3/4	1	
-	-----	CONSISTS OF :		
-	-----	KING PIN O/S I	2	
-	-----	KING PIN BUSH	4	
-	-----	MINOR KIT	1	
	885433021612	KING PIN REPAIR KIT WITH MINOR KIT & BUSH O/S II (38.45MM)	1	
-	-----	CONSISTS OF :		
-	-----	KING PIN O/S II	2	
-	-----	KING PIN BUSH	4	
-	-----	MINOR KIT	1	
	885433031612	KING PIN REPAIR KIT WITH MINOR KIT & BUSH O/S III (38.55MM)	1	
-	-----	CONSISTS OF :		
-	-----	KING PIN O/S III	2	
-	-----	KING PIN BUSH	4	
-	-----	MINOR KIT	1	



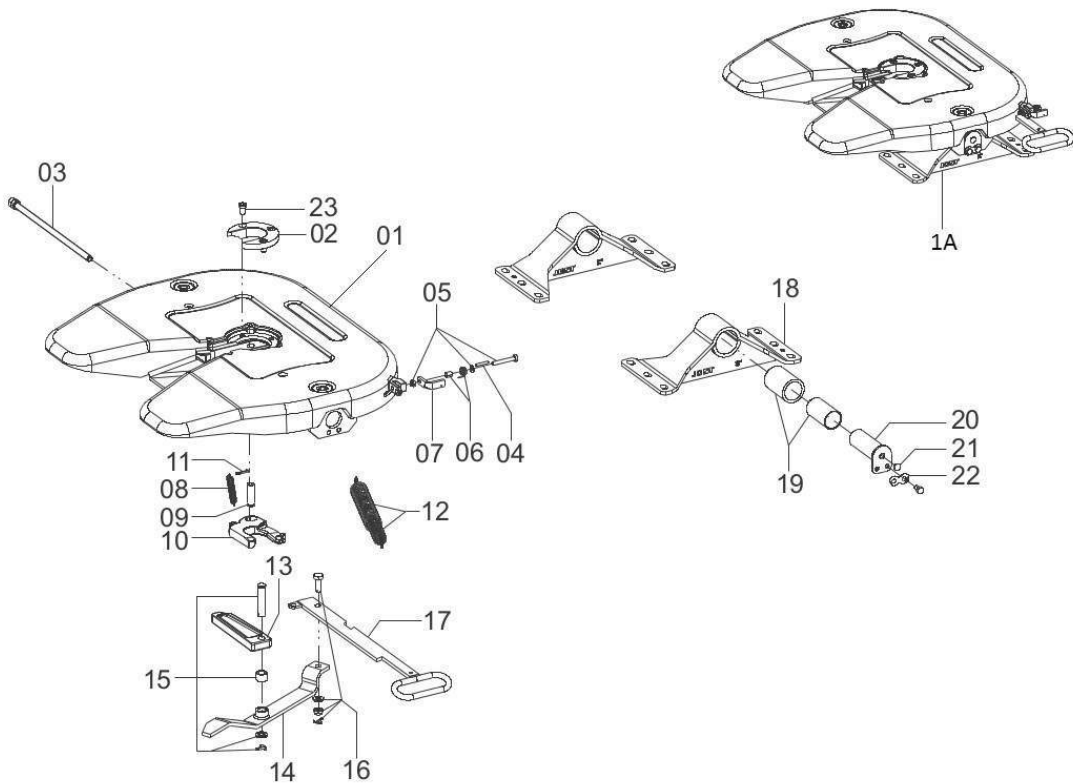
VC No : 20820132000R Group : (33) FRONT AXLE Table : (33.33.01-FRONT AXLE (W/O ABS BRAKES))				
Fig.	Part No	Part Description	Qty	Remarks
	885433041612	KING PIN REPAIR KIT WITH MINOR KIT & W/O BUSH STD	1	
-	-----	(38.25MM) CONSISTS OF :		
-	-----	KING PIN STD	1	
-	-----	MINOR KIT	1	
	885433051612	KING PIN REPAIR KIT WITH MINOR KIT & W/O BUSH O/S I	1	
-	-----	(38.35MM) CONSISTS OF :		
-	-----	KING PIN O/S I	1	
-	-----	MINOR KIT	1	
	885433061612	KING PIN REPAIR KIT WITH MINOR KIT & W/O BUSH O/S II	1	
-	-----	(38.45MM) CONSISTS OF :		
-	-----	KING PIN O/S II	1	
-	-----	MINOR KIT	1	
	885433071612	KING PIN REPAIR KIT WITH MINOR KIT & W/O BUSH O/S III	1	
-	-----	(38.55MM) CONSISTS OF :		
-	-----	KING PIN O/S III	1	
-	-----	MINOR KIT	1	
	885433081612	MINOR KIT-KING PIN 1612 BS1/2/3/4	1	
-	-----	COTTER BOLT	2	
-	-----	O RING	4	
-	-----	CIRCLIP B-50	4	
-	-----	SEALING CAP	4	
-	-----	HEX NUT M 8	2	
-	-----	SPRING WASHER	2	
-	-----	GREASE NIPPLE	4	



Updated on : Thu May 5 2022 20:15:02

VC No : 20820132000R Group : (34) FIFTH WHEEL COUPLING Table : (2082013234R.02-SPARE KIT FOR FIFTH WHEEL COUPLING)

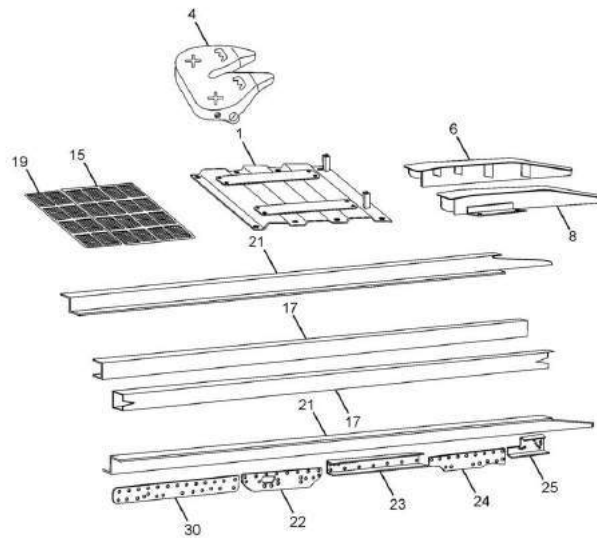
Fig.	Part No	Part Description	Qty	Remarks
1A	284134100101	ASSY. FIFTH WHEEL COUPLING BS1/2/3/4	1	
01	886334000006	COUPLING PLATE WITH RIB (40T PRIME MOVER)	1	
KIT-1	284134200101	JOIST,FIFTH WHEEL COUPLING	1	
	-----	CONSISTS OF		
02	284134208701	WEAR RING	1	
03	284134208001	ADJUSTING SCREW	1	
04	284134206701	CLAMPING PROFILE	1	
05	284134203201	HEX BOLT	1	
06	284134208702	SPRING	1	
07	284134200201	LATCH ASSY	1	
08	284134208703	TENSION SPRING	1	
09	284134203202	HEX BOLT	1	
10	284134206002	LOCK JAW	1	
11	284134206702	SPLIT PIN	1	
12	284134208704	TENSION SPRING	1	
13	284134206101	LOCKING PLATE	1	
14	284134206003	LEVER	1	
15	284134203203	HEX BOLT	1	
16	284134203204	HEX BOLT	1	
17	284134200301	HANDLE ASSY	1	
18	284134200202	ASSY. PEDESTAN BLOCK BS1/2/3/4	2	
19	284134207501	BUSH	2	
20	284134206703	PIVOT PIN	2	
21	284134203501	BOSS	2	
22	284134203205	HEX BOLT	2	



Updated on : Thu May 5 2022 20:15:02

VC No : 20820132000R Group : (34) FIFTH WHEEL COUPLING Table : (34.34.01-FIFTH WHEEL COUPLING)

Fig.	Part No	Part Description	Qty	Remarks
1	284131600101	ASSY MOUNTING PLATE (FIFTH WHEEL COUPLING)	1	
4	284134100101	ASSY. FIFTH WHEEL COUPLING BS1/2/3/4	1	FOR CHILD PARTS; REFER TABLE N
-	263231606701	STOPPER	8	
6	276831600111	ASSY RAMP RH (FIFTH WHEEL COUPLING)	1	
8	276831600112	ASSY RAMP LH (FIFTH WHEEL COUPLING)	1	
-	276831608203	SHIM 1 THICK	AR	
-	276831608204	SHIM 1.6 THICK	AR	
	501131207147	STEEL CHEQUERED PLATE	1	
17	208231200110	ASSY BRACKET-RH CHEQUERED PLATE	3	
17	208231200111	ASSY BRACKET-LH CHEQUERED PLATE	1	
19	208231207103	PLATFORM (FRONT)	1	
21	208231207110	SUPPORT Z-RH	1	
21	208231207111	SUPPORT Z-LH	1	
22	276831207121	REINFORCEMENT (SUBSTRUCTURE MIDDLE)	2	
23	276831207122	REINFORCEMENT RH (INNER)	1	
23	276831207123	REINFORCEMENT LH (INNER)	1	
24	276831207126	REINFORCEMENT (SUBSTRUCTURE REAR)	2	
25	276831207139	REINFORCEMENT RH (INNER REAR)	1	
25	276831207140	REINFORCEMENT LH (INNER REAR)	1	
30	208231207109	REINFORCEMENT	2	



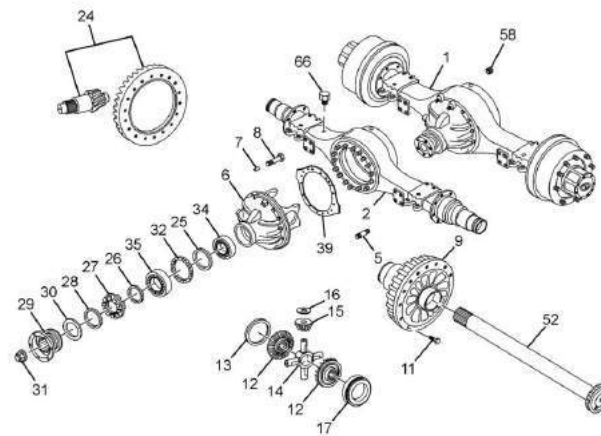
LPS4018C-34.34.01

808

Updated on : Thu May 5 2022 20:15:02

VC No : 20820132000R Group : (35) REAR AXLE Table : (35.35.01-REAR AXLE (W/O ABS BRAKES))

Fig.	Part No	Part Description	Qty	Remarks
1	273235000221	ASSY REAR AXLE COMPLETE 41/6,165 DIA C.FLNG-RA 109RR	1	UPTO SEPT2006
1	273235000264	ASSY REAR AXLE COMPLETE 41/6,150 DIA C.FLNG-RA 109RR	1	FROM OCT2006
2	273235100165	ASSY. RA BEAM W/RING STUD/DOWEL BS1/2/3	1	
-	13050910304	CYL PIN 12 H 8X30	1	
5	11632609401	STUD BM 12X40	9	
5	11632609649	STUD BM 12X80	4	
-	266835108601	PRESSURE RING	2	
6	273235110107	ASSY. CARRIER HSG (RA 109RR) BS1/2/3/4	1	
7	13050909209	CYL PIN 10 H 8X20	4	
8	273235113201	HEX.BOLT (PLUMMER BLOCK COVER)	4	
9	273235300183	ASSY. DIFF. HSG (9X14 GEARS) BS1/2/3/4	1	
-	273235308002	HEX.BOLT-SERRATED (DIFF.CASE TO COVER)	16	
11	273235308003	HEX.BOLT-SERRATED (CROWN WHEEL)	18	
12	273235305442	REAR AXLE SHAFT GEAR (9X14)BS1/2/3/4/6	2	
13	273235309210	THRUST WASHER- 1.95 THK. BS1/2/3/4	2	FOR SELECTION
13	273235309211	THRUST WASHER- 2.00 THK.	2	FOR SELECTION
13	273235309212	THRUST WASHER-2.05 THK.	2	FOR SELECTION
13	273235309213	THRUST WASHER-2.10 THK.	2	FOR SELECTION
13	273235309214	THRUST WASHER-2.15 THK.	2	FOR SELECTION
13	273235309215	THRUST WASHER-2.20 THK.	2	FOR SELECTION
13	273235309216	THRUST WASHER- 2.25 THK.	2	FOR SELECTION
14	273235305113	DIFF. SPIDER(LOCKABLE SPH WASHER) BS1-4	1	
15	273235305443	DIFF. BEVEL PINION 9X14(CONIFLEX) BS1- 4	4	
16	273235309217	SPHERICAL WASHER BS1/2/3/4	4	
17	266935303101	TAPER ROLLER BRG. 32020 BS1/2/3/4	2	



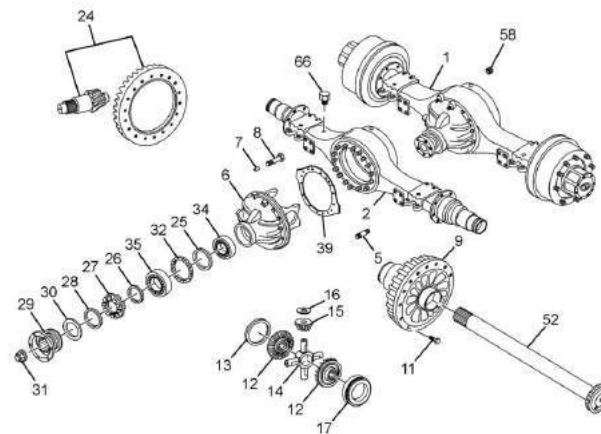
LPS4018C-35 35 01

808

Updated on : Thu May 5 2022 20:15:02

VC No : 20820132000R Group : (35) REAR AXLE Table : (35.35.01-REAR AXLE (W/O ABS BRAKES))

Fig.	Part No	Part Description	Qty	Remarks
24	273235300130	ASSY. CROWN WHEEL PINION 41/6 BS1/2/3/4	1	
25	257635308601	SPACER (BETWEEN PINION BRG)	1	
-	273235300188	ASSY SPACER WITH OIL SLINGER (PRESS TYPE)	1	
26	273235300188	SPACER (BETWEEN PINION BRG & C.FLANGE(OIL SLIN)	1	SERVICEABLE UNDER P/N 2732353
-	273235308202	OIL SLINGER (PRESS FIT)	1	SERVICEABLE UNDER P/N 2732353
27	257635306503	THREADED RING HYPOID PINION	1	
	266835307711	OIL SEAL	1	
	266835307711	OIL SEAL	1	
28	257335307705	OIL SEAL BS1/2/3/4	1	
29	273235300168	ASSY COUPLING FLANGE (165 OD)	1	UPTO SEPT2006
29	273235300214	ASSY. COUP. FLANGE-150 DIA. SERR. BS1- 4	1	FROM OCT2006 FOR SELECTION
29	273235305004	COUPLING FLANGE-150 OD,SERRATED W/O DUST COVER	1	FROM OCT2006 FOR SELECTION
30	273235308201	DUST COVER (PRESS FIT)	1	
-	273235307701	DUST SEAL (MECHANICAL FACE SEAL)	1	
31	0423530172J	HEX NUT (MACHINED) BS1/2/3/4	1	
32	257635308604	SPACER RING 7.74 THICK	1	FOR SELECTION
32	257635308605	SPACER RING 7.72 THICK	1	FOR SELECTION
32	257635308606	SPACER RING 7.70 THICK	1	FOR SELECTION
32	257635308607	SPACER RING 7.68 THICK	1	FOR SELECTION
32	257635308608	SPACER RING 7.66 THICK	1	FOR SELECTION
32	257635308609	SPACER RING 7.64 THICK	1	FOR SELECTION
32	257635308610	SPACER RING 7.62THICK	1	FOR SELECTION
32	257635308611	SPACER RING 7.60 THICK	1	FOR SELECTION
32	257635308612	SPACER RING 7.58 THICK	1	FOR SELECTION
32	257635308613	SPACER RING 7.56 THICK	1	FOR SELECTION



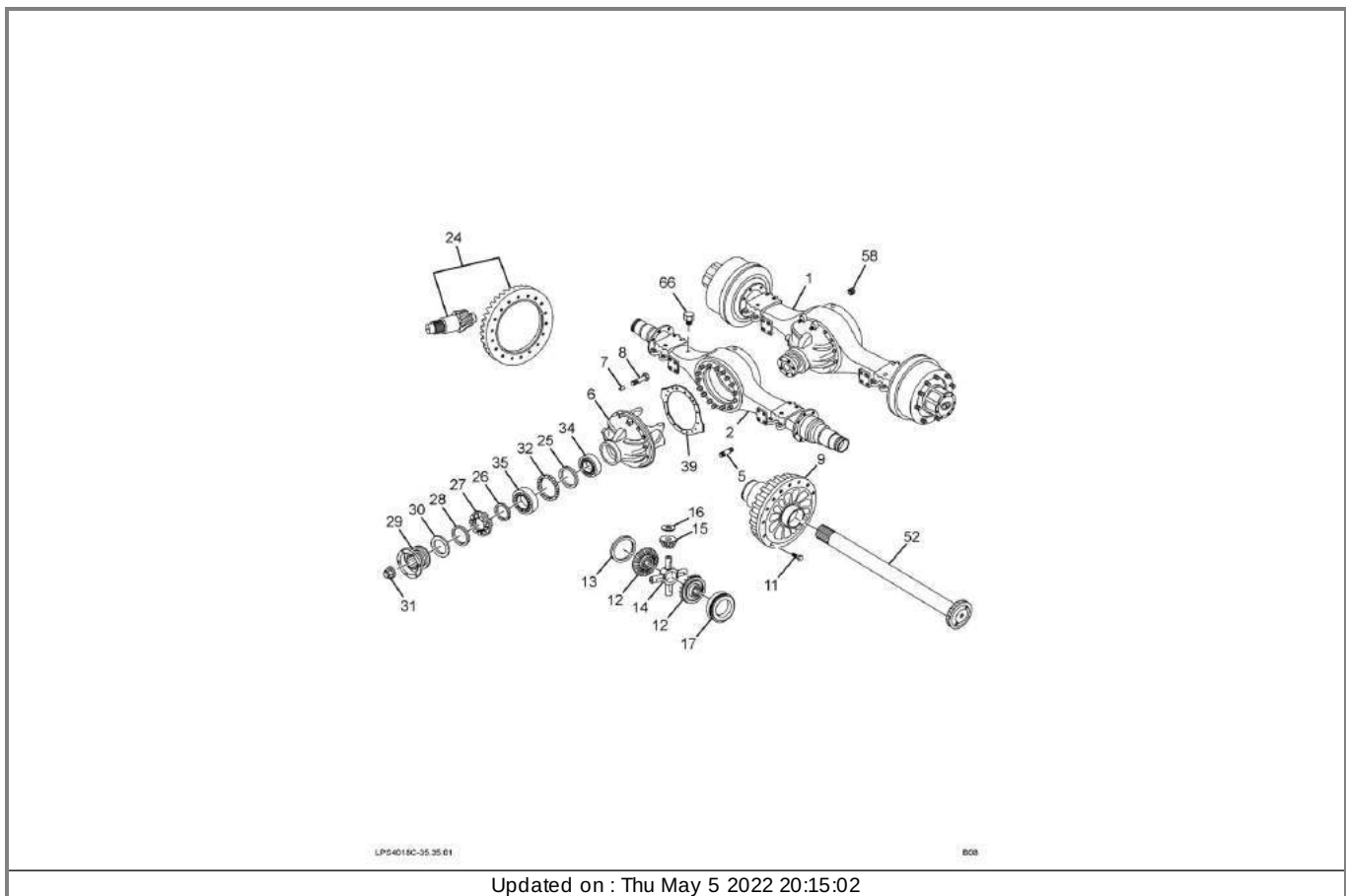
LPS4018C-35 35 01

808

Updated on : Thu May 5 2022 20:15:02

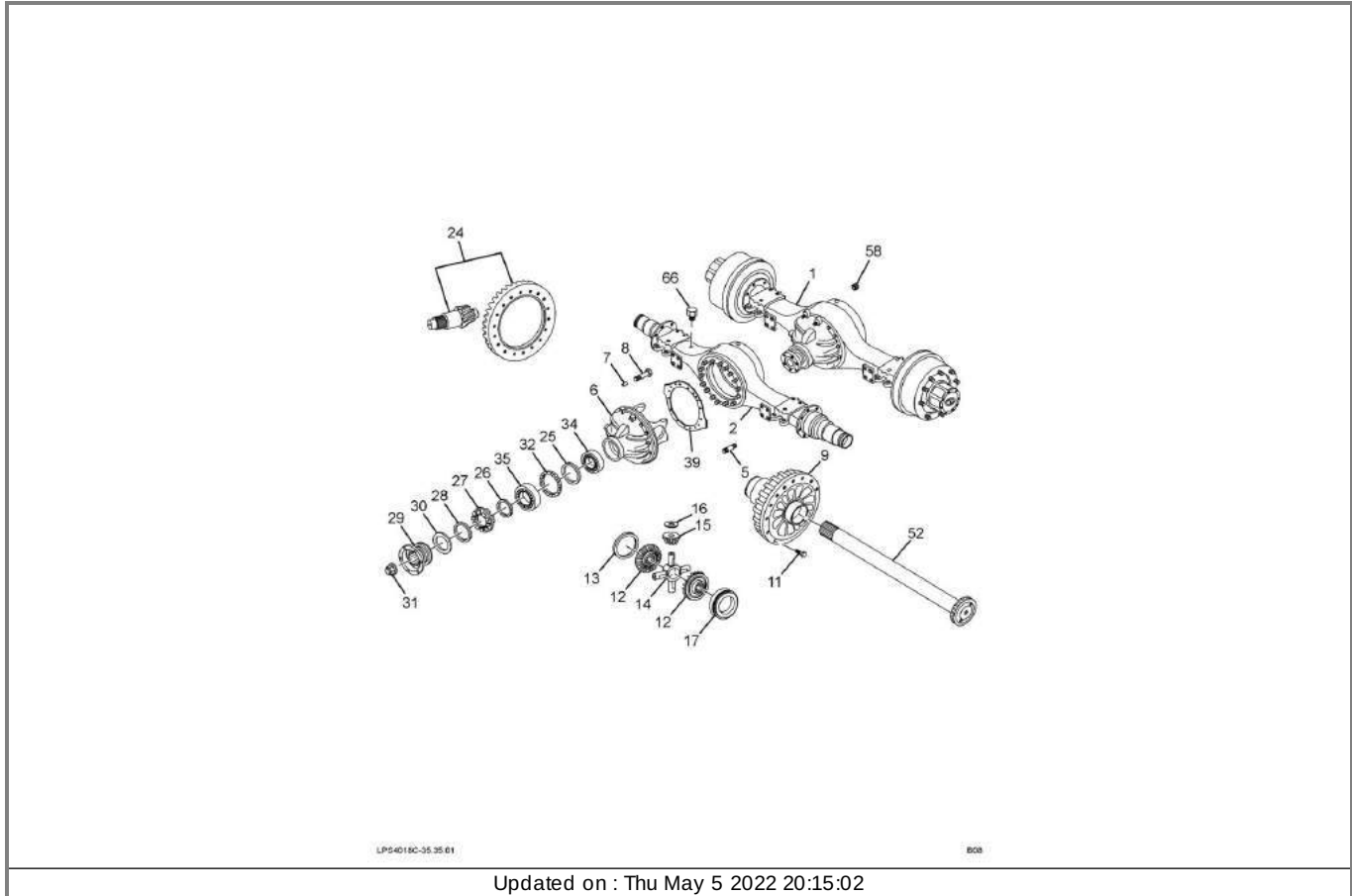
VC No : 20820132000R Group : (35) REAR AXLE Table : (35.35.01-REAR AXLE (W/O ABS BRAKES))

Fig.	Part No	Part Description	Qty	Remarks
32	257635308614	SPACER RING 7.54 THICK	1	FOR SELECTION
32	257635308615	SPACER RING 7.52 THICK	1	FOR SELECTION
32	257635308616	SPACER RING 7.50 THICK	1	FOR SELECTION
32	257635308617	SPACER RING 7.48 THICK	1	FOR SELECTION
32	257635308618	SPACER RING 7.46 THICK	1	FOR SELECTION
32	257635308619	SPACER RING 7.44 THICK	1	FOR SELECTION
32	257635308620	SPACER RING 7.42 THICK	1	FOR SELECTION
32	257635308621	SPACER RING 7.40 THICK	1	FOR SELECTION
32	257635308623	SPACER RING 7.76 THICK	1	FOR SELECTION
34	257635303102	TAPER ROLLER BRG 77213 BS1/2/3/4	2	
-	257635308308	SHIM 0.10 THICK	AR	FOR SELECTION
-	257635308302	SHIM 0.15 THICK	AR	FOR SELECTION
-	257635308303	SHIM 0.20 THICK	AR	FOR SELECTION
-	257635308304	SHIM 0.25 THICK	AR	FOR SELECTION
-	257635308305	SHIM 0.30 THICK	AR	FOR SELECTION
-	257635308306	SHIM 0.50 THICK	AR	FOR SELECTION
-	257635308307	SHIM 1.00 THICK	AR	FOR SELECTION
35	257635303104	CYL. ROLLER BRG NS1909 RA 109RR BS1-4	1	
-	257635309902	LOCKING WIRE INNER RACE	1	
-	257635309903	LOCKING WIRE OUTER RACE	1	
-	257635308201	LOCKING PLATE	1	
39	257635115302	GASKET CARRIER RA109 BS1/2/3/4	1	
52	266835707901	REAR AXLE SHAFT BS1/2/3/4	2	
58	266835150102	PRESSURE RELIEF VALVE	1	
-	266335107207	MAGNETIC DRAIN PLUG BS1/2/3/4	1	



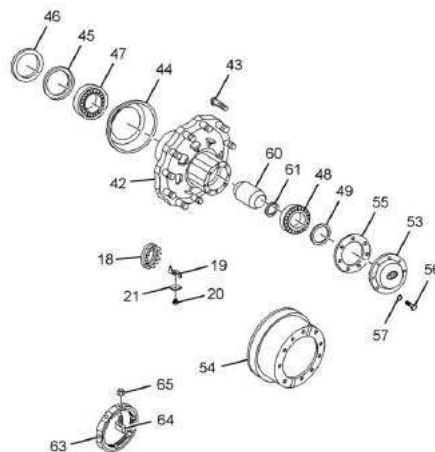
VC No : 20820132000R Group : (35) REAR AXLE Table : (35.35.01-REAR AXLE (W/O ABS BRAKES))

Fig.	Part No	Part Description	Qty	Remarks
66	257433150102	ASSY FILTER BREATHER	1	
	273235300215	KIT-DIFFERENTIAL GEAR BS1/2/3/4	1	
12	-----	REAR AXLE SHAFT GEAR	2	
15	-----	DIFFENTIAL BEVEL GEAR	4	
14	-----	SPIDER	1	



VC No : 20820132000R Group : (35) REAR AXLE Table : (35.35.02-REAR AXLE (W/O ABS BRAKES))

Fig.	Part No	Part Description	Qty	Remarks
18	257635306501	THREADED RING BS1/2/3/4/6	2	
19	257635308201	LOCKING PLATE	2	
20	11323996191	HEX SCREW M 8X12	2	
21	3129941201	LOCKING PLATE	2	
-	273235300117	ASSY ADJUSTING PIN	1	
42	273235600102	ASSY. REAR HUB (BIGGER BRG.)109 RR BS1-6	2	FOR SELECTION
42	273235600103	ASSY. REAR HUB (W/O BRG/SEAL) BS1/2/3/4/6	2	FOR SELECTION
43	263140206701	HUB BOLT REAR- M22 BS1/2/3/4	20	
44	266835608201	OIL CATCHER (REAR HUB)	2	
45	266835608601	SPACER RING (HUB OUTER SEAL)	2	
46	273235607711	OIL SEAL (135X170X15) BS1/2/3/4/6	2	
47	266835603101	TAPER ROLLER BRG. INNER 683/72 BS1/2/3/4	2	
48	266835603102	TAPER ROLLER BRG. OUTER 32217 BS1/2/3/4	2	
-	273235607712	OIL SEAL (125X150X12) BS1/2/3/4/6	2	
60	266835608603	SPACER TUBE (BETWEEN HUB BRGS.)	2	
61	265135308303	SHIM 0.10THK	AR	FOR SELECTION
61	265135308304	SHIM 0.15THK	AR	FOR SELECTION
61	265135308305	SHIM 0.20THK	AR	FOR SELECTION
61	265135308306	SHIM 0.25THK	AR	FOR SELECTION
61	265135308307	SHIM 0.50THK	AR	FOR SELECTION
61	265135308308	SHIM 1.50THK	AR	FOR SELECTION
61	265135308309	SHIM 0.3 THICK	AR	FOR SELECTION
54	263142103701	BRAKE DRUM SPIGOTTED. BS1/2/3/4	2	
53	266835600105	ASSY HUB COVER (BIGGER HUB)	2	NOT SERVICED
53	266835604701	COVER,REAR HUB	2	FOR SELECTION



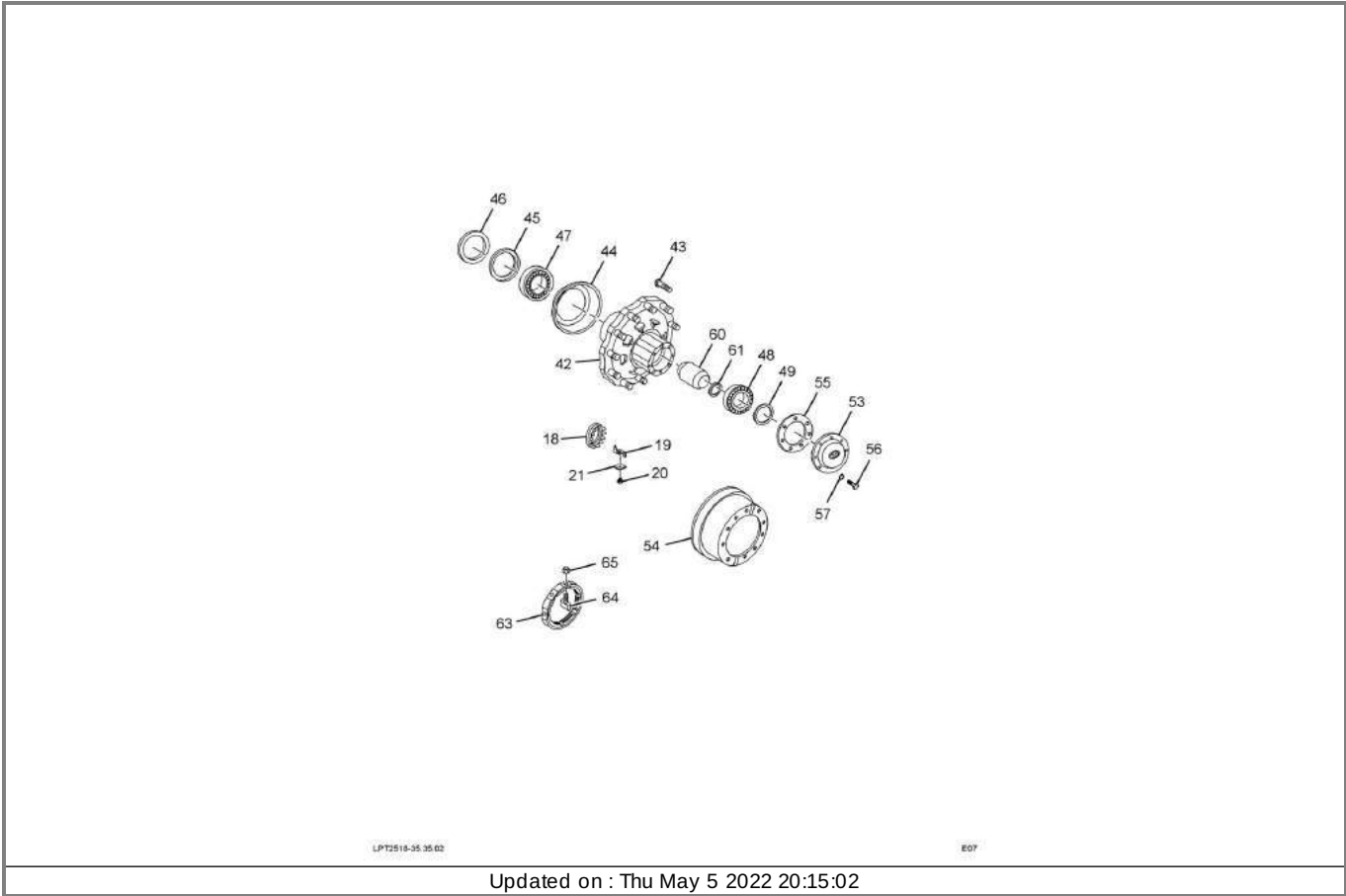
LPT2518-35 35.02

E07

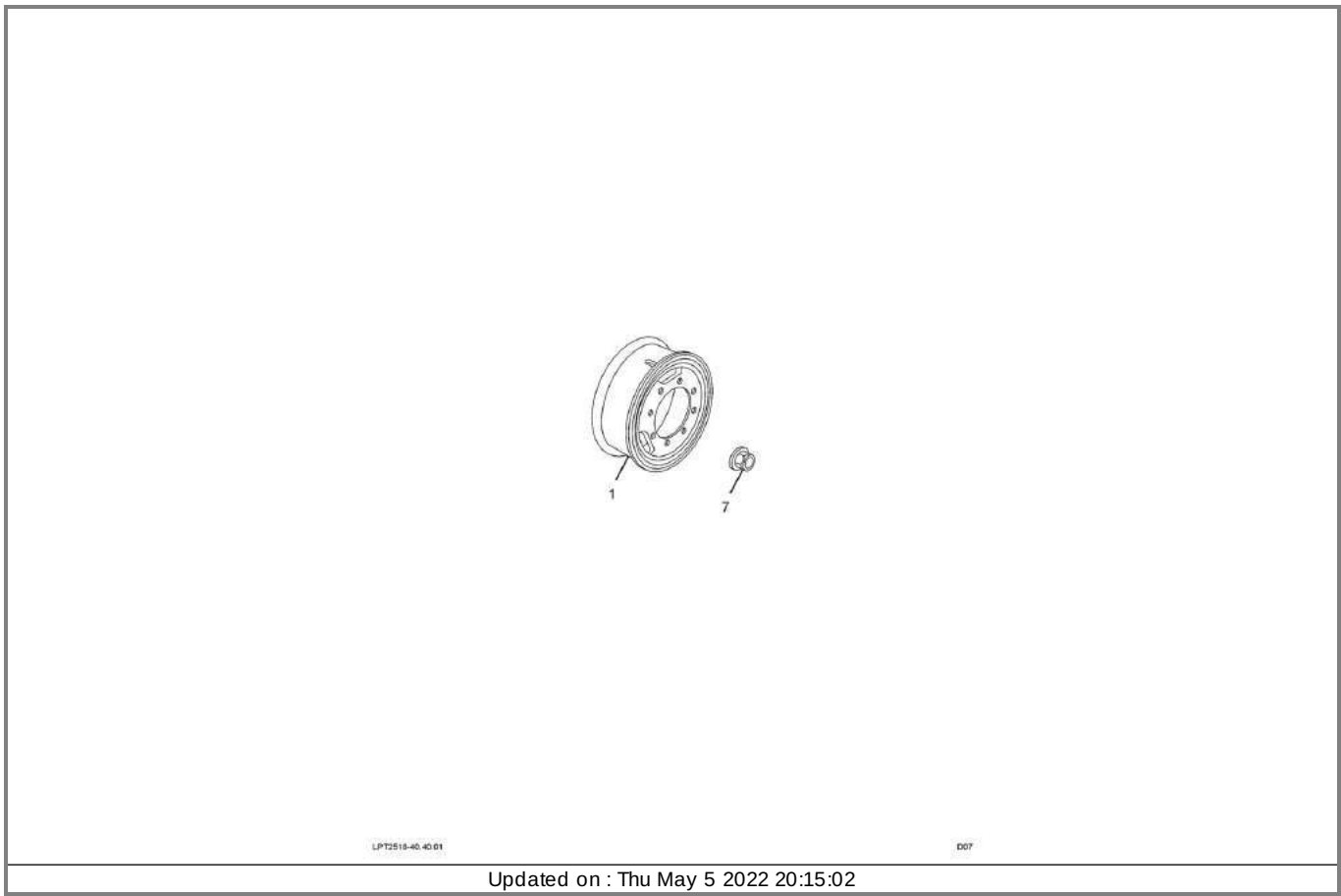
Updated on : Thu May 5 2022 20:15:02

VC No : 20820132000R Group : (35) REAR AXLE Table : (35.35.02-REAR AXLE (W/O ABS BRAKES))

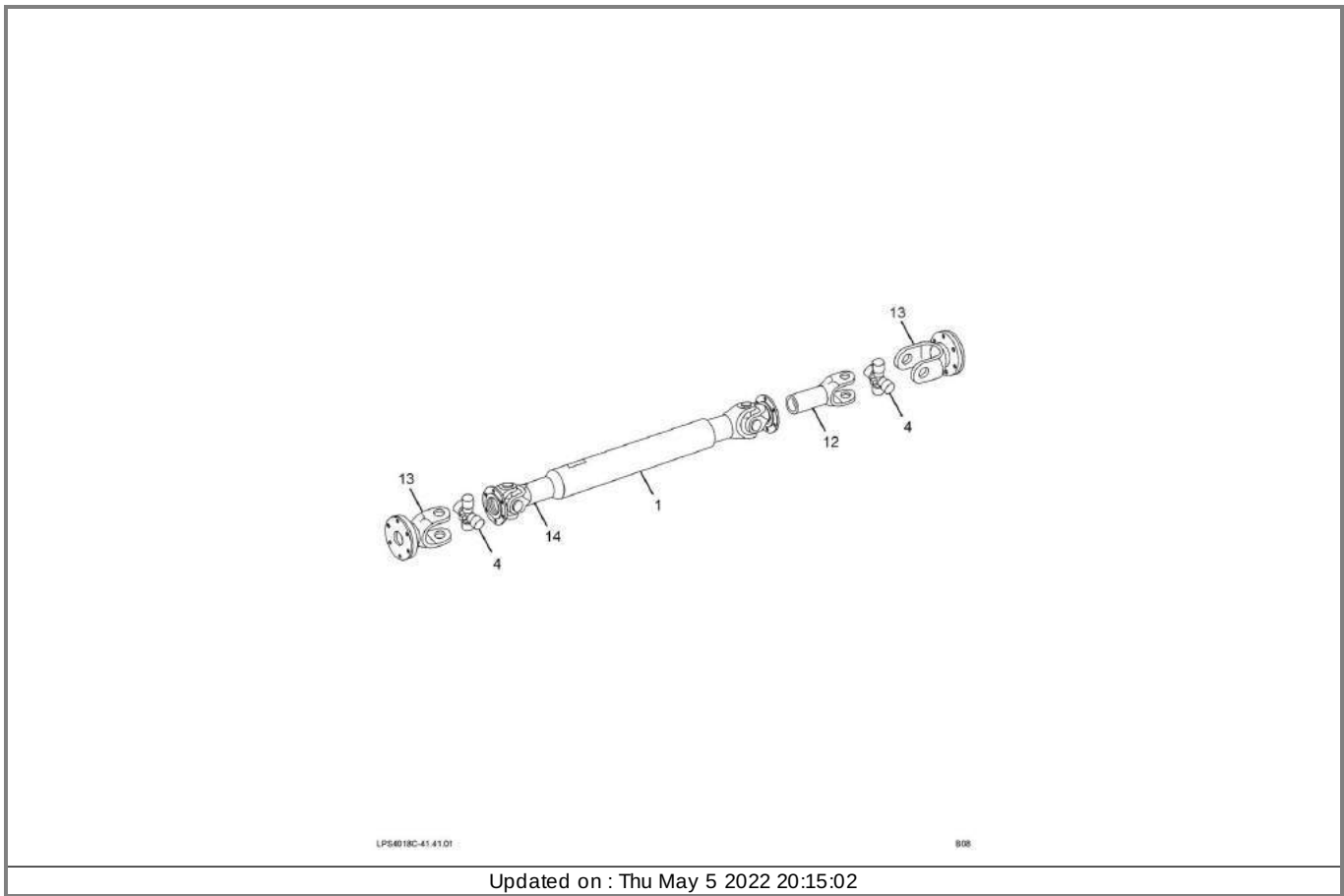
Fig.	Part No	Part Description	Qty	Remarks
55	266835605301	GASKET REAR HUB BS1/2/3/4	2	
56	11324508181	HEX SCREW M8X18 IS1364P2-8.8-SS8451S2-Y	16	
57	12520698025	SPRING WASHER B8 IS3063 SS8451-8C	16	
49	266835608602	SPACER	2	
-	266835608604	TONGUE SPACER (HUB OUTER BEARING)	2	
63	266835606501	HUB LOCK NUT	2	
64	266835608001	PIN (HUB LOCK NUT)	2	
65	12140500800	NYLOC NUT M8 IS7002-8-SS8451-8C	2	
-	289242303201	HEX BOLT	8	
	885435072515	KIT-REAR HUB GREASING-EX BS1/2/3/4	1	
	-----	OIL SEAL (INNER)	2	
	-----	OIL SEAL (OUTER)	2	
	-----	GASKET (HUB)	2	



VC No : 20820132000R Group : (40) WHEELS Table : (40.40.01-WHEELS)				
Fig.	Part No	Part Description	Qty	Remarks
1	263140100101	ASSY. WHEEL RIM 7.5X20 BS1/2/3/4	7	FOR SELECTION
1	263140100101	ASSY. WHEEL RIM 7.5X20 BS1/2/3/4	7	FOR SELECTION
7	263140100107	ASSY. WHEEL NUT M22 X 30LONG BS1/2/3/4	36	



VC No : 20820132000R Group : (41) PROPELLER SHAFT Table : (41.41.01-PROPELLER SHAFT)				
Fig.	Part No	Part Description	Qty	Remarks
1	284141120101	ASSY PROPELLER SHAFT(SPICER)- 165 DIA COUP.FLANGE	1	UP TO SEPT06
1	208241120101	ASSY PROPELLER SHAFT (RSB)- 150 DIA COUP.FLANGE	1	FROM OCT06
4	885441014018	ASSY. CROSS BS1/2/3/4	1	
4	281941120108	UNIVERSAL JOINT BS1/2/3/4	1	
12	284141120102	SLIP YOKE ASSY- SPICER	1	
12	208241125101	LONG FORK- RSB	1	
13	284141125101	FLANGE YOKE- SPICER	2	
13	216741125101	FLANGE YOKE	2	
14	208241125102	SHORT FORK- RSB	1	
-	208241106101	LOCKING PLATE	4	



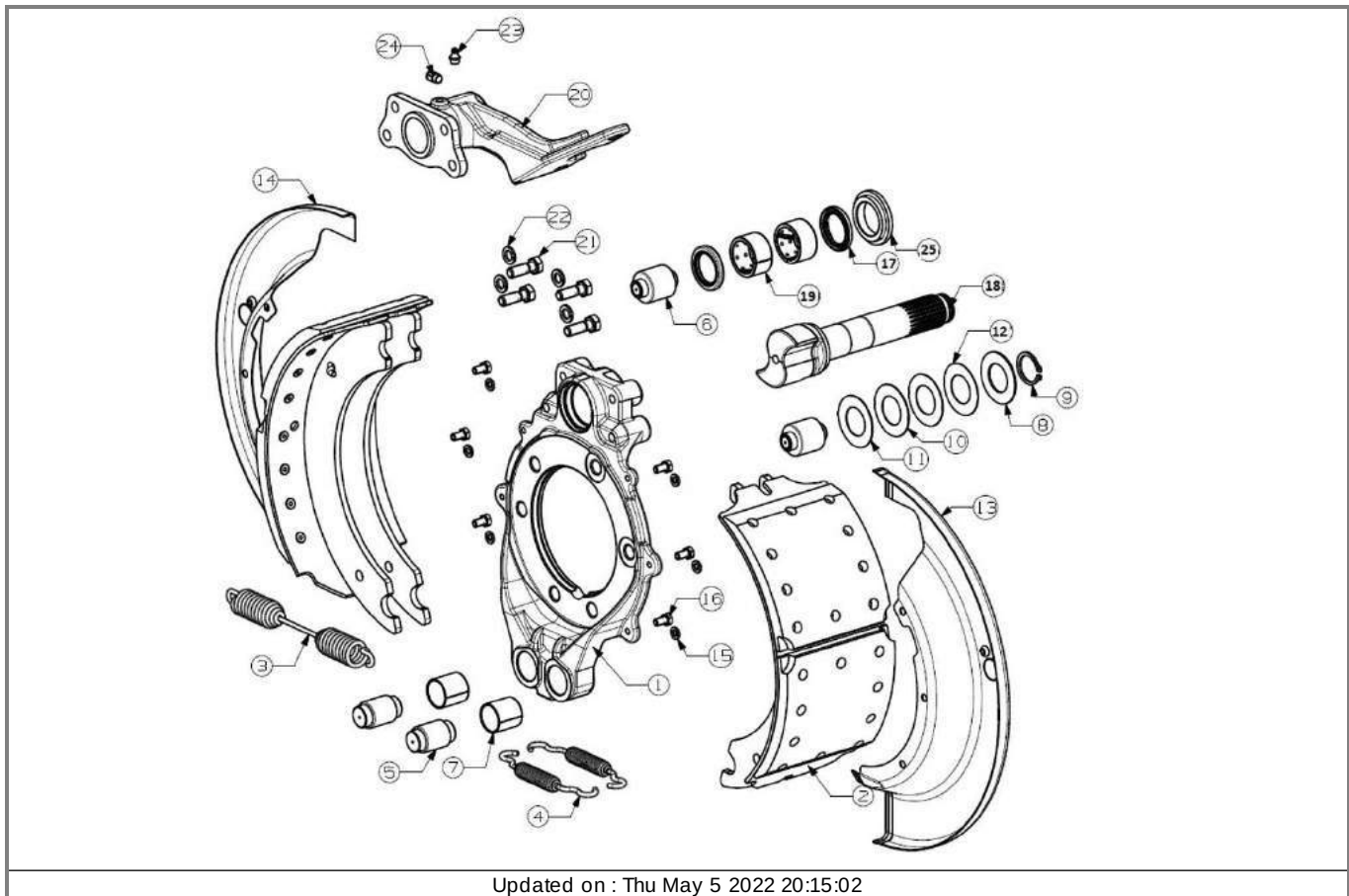
LPS4018C-41.41.01

508

Updated on : Thu May 5 2022 20:15:02

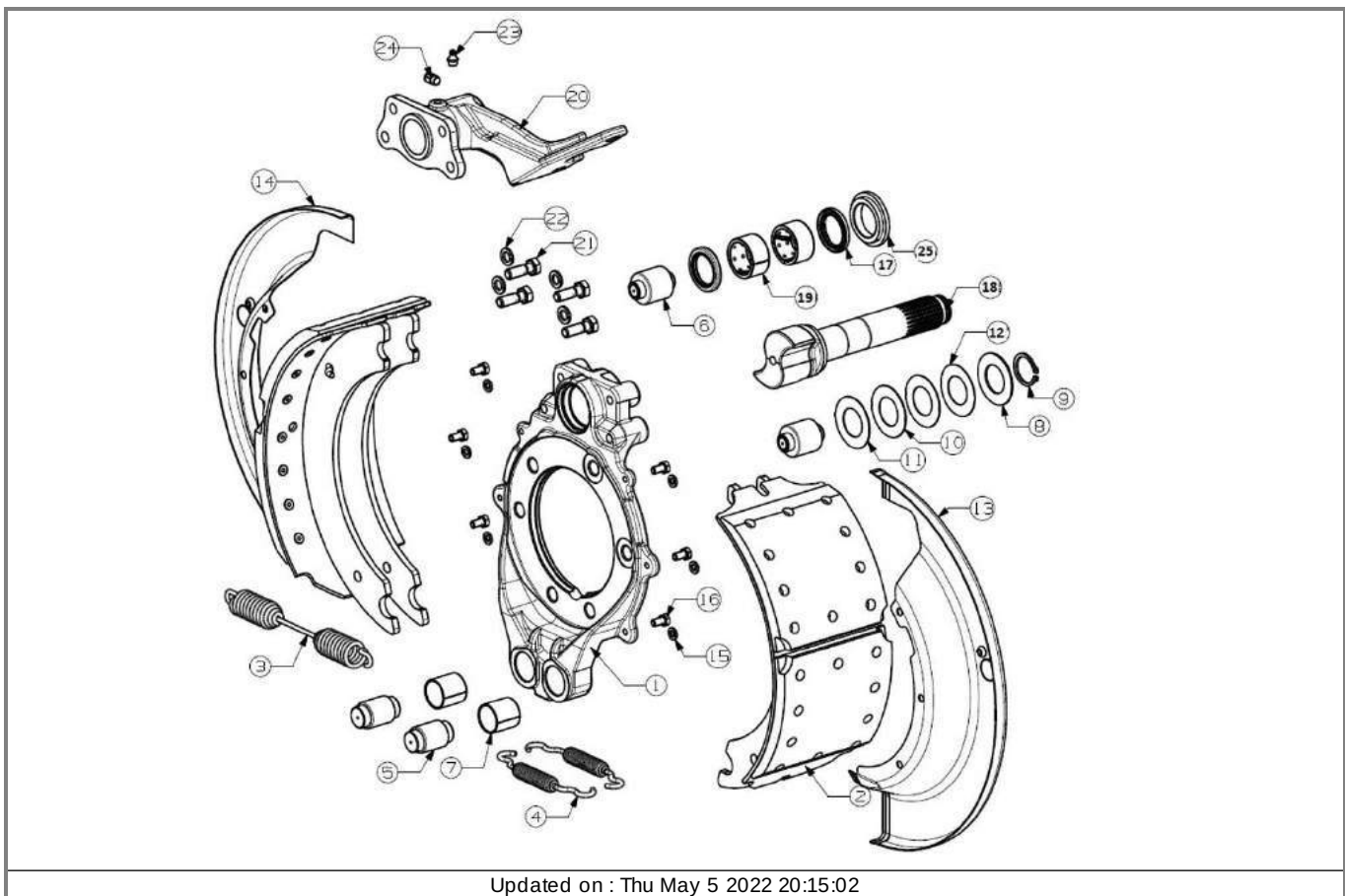
VC No : 20820132000R Group : (42) BRAKES Table : (42.42.01-FRONT WHEEL BRAKE S-CAM (BIL))

Fig.	Part No	Part Description	Qty	Remarks
-	275242100144	ASSY FRONT BRAKE RH W/T D/C M/S BIL.	1	OPTIONAL AS A SET-MASU BRAKE L
-	275242100143	ASSY FRONT BRAKE LH W/T D/C M/S BIL.	1	OPTIONAL AS A SET-MASU BRAKE L
-	288342100132	ASSY FRONT BRAKE RH W/T D/C M/S BIL	1	OPTIONAL AS A SET- TVS AF 235
-	288342100131	ASSY FRONT BRAKE LH W/T D/C M/S BIL.	1	OPTIONAL AS A SET- TVS AF 235
-	277842990114	KIT-BRAKE LH	---	
7	-	BRAKE ASSY - BUSH,ABUTMENT END	2	
1	-	BRAKE ASSY -TORQUE PLATE,FRONT,LH	1	
21	-	BOLT -M12X1.75	4	
22	-	WASHER	4	
17	-	OIL SEAL (DOUBLE LIP)	1	
19	-	BUSH-BRACKET END	1	
-	277842990115	KIT-BRAKE RH	---	
7	-	BRAKE ASSY - BUSH,ABUTMENT END	2	
1	-	BRAKE ASSY -TORQUE PLATE,FRONT,RH	1	
21	-	BOLT -M12X1.75	4	
22	-	WASHER	4	
17	-	OIL SEAL (DOUBLE LIP)	1	
19	-	BUSH-BRACKET END	1	
-	277842990125	KIT-BRAKE SPRING	---	
3	-	SPRING	1	
4	-	SPRING-ABUTEMENT END	2	
-	277842990129	KIT-BRAKE BUSH	---	
7	-	BRAKE ASSY - BUSH,ABUTMENT END	2	
17	-	OIL SEAL (DOUBLE LIP)	2	
4	-	BUSH-BRACKET END	2	



VC No : 20820132000R Group : (42) BRAKES Table : (42.42.01-FRONT WHEEL BRAKE S-CAM (BIL))

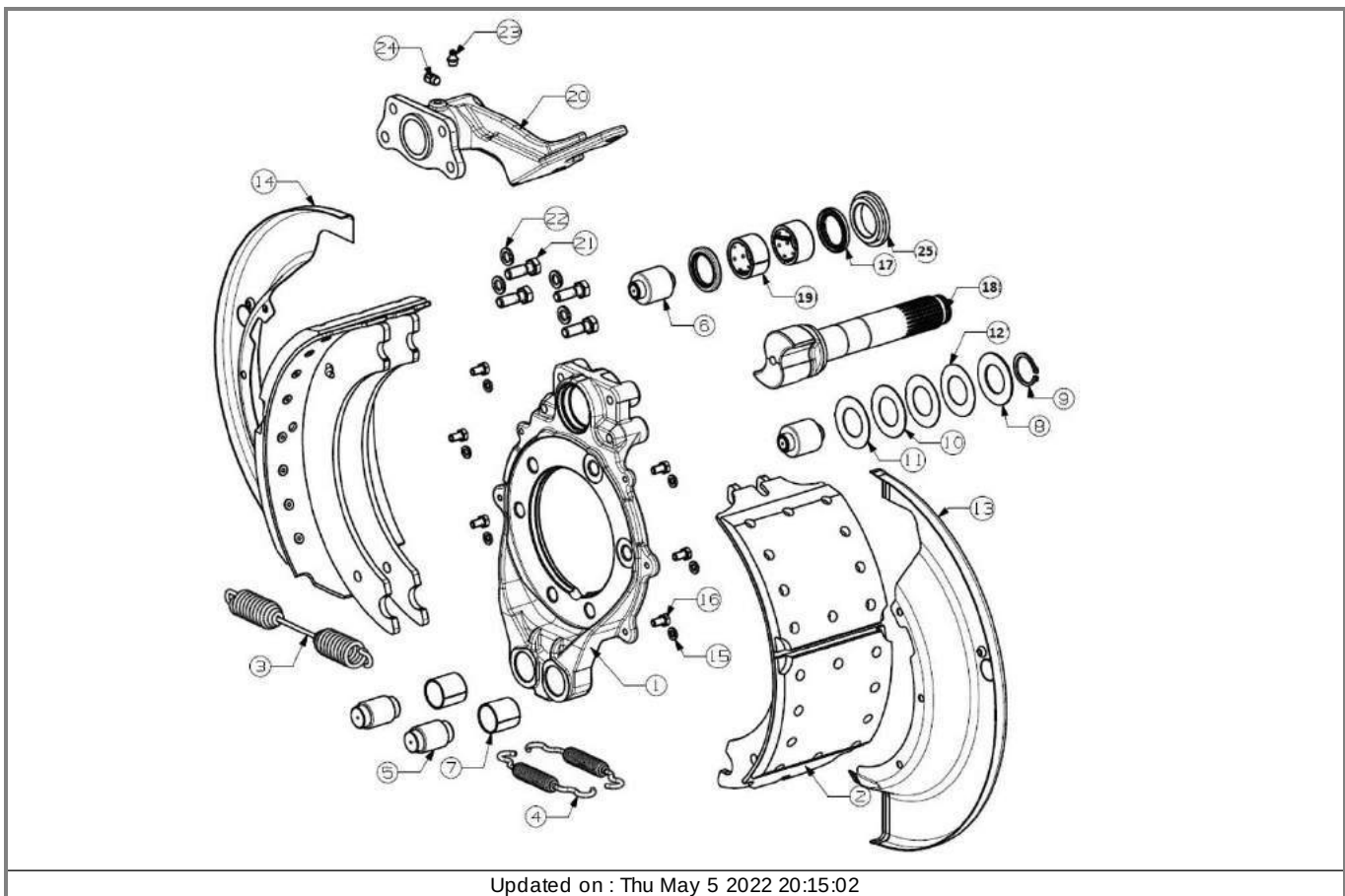
Fig.	Part No	Part Description	Qty	Remarks
25	-	SLEEVE-DELFIN	1	
24	-	RELIEF VALVE	1	
23	-	GREASE NIPPLE	1	
-	277842990130	KIT BRAKE SHIM	---	
10	-	SHIM -0.5MM	1	
11	-	SHIM -1.0MM	2	
12	-	SHIM -0.3MM	1	
8	-	WASHER	1	
9	-	CIRCLIP	1	
-	277842990131	KIT-BRAKE BOLT AND WASHER (BRACKET)	---	
21	-----	BOLT -M12X1.75	4	
22	-----	WASHER	4	
-	277842990132	KIT-BRAKE BOLT AND WASHER (DUST SHEILD ASSY)	---	
16	-	SET-BOLT	6	
15	-	BOLT	6	
-	277842990142	KIT-BRAKE BARCKET ASSY LH	---	
21	-	BOLT -M12X1.75	4	
20	-	KIT-BRAKE LH	1	
22	-	WASHER	4	
17	-	OIL SEAL (DOUBLE LIP)	1	
19	-	BUSH-BRACKET END	1	
24	-	RELIEF VALVE	1	
23	-	GREASE NIPPLE	1	
-	277842990143	KIT-BRAKE BARCKET ASSY RH		
21	-	BOLT -M12X1.75	4	



Updated on : Thu May 5 2022 20:15:02

VC No : 20820132000R Group : (42) BRAKES Table : (42.42.01-FRONT WHEEL BRAKE S-CAM (BIL))

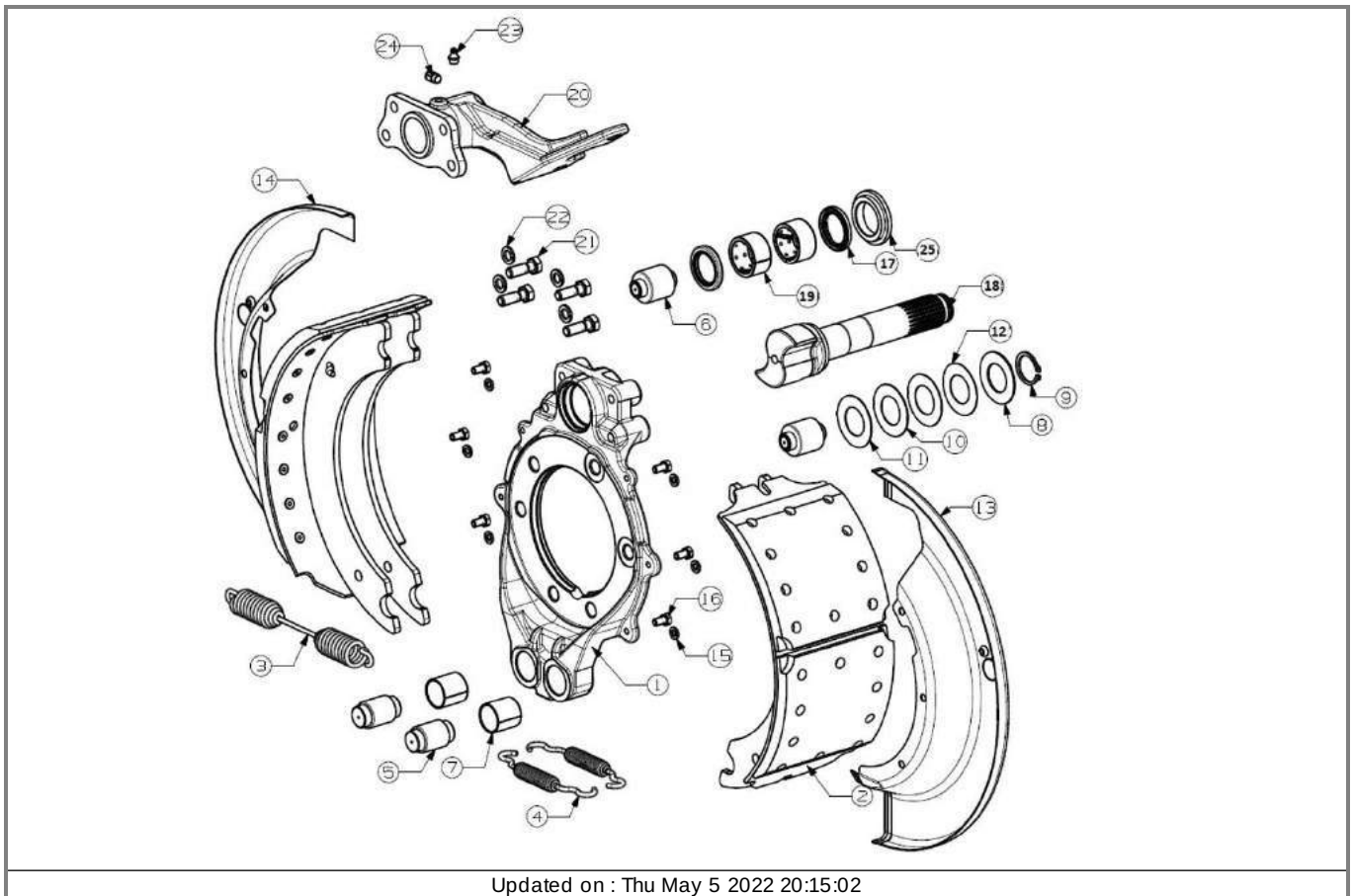
Fig.	Part No	Part Description	Qty	Remarks
20	-	KIT-BRAKE RH	1	
22	-	WASHER	4	
17	-	OIL SEAL (DOUBLE LIP)	1	
19	-	BUSH-BRACKET END	1	
24	-	RELIEF VALVE	1	
23	-	GREASE NIPPLE	1	
-	277842990146	KIT-BRAKE LINE SHOE ASSY (TVS- AF235)	---	Applicable for 288342100132 /
5	-	PIN -FULCRUM	2	
6	-	ROLLER FRONT BRAKE ASSY.BIL	2	
3	-	SPRING	1	
2	-	BRAKE SHOE ASSY WITH LINER	2	
4	-	SPRING-ABUTEMENT END	2	
-	277842990153	KIT-BRAKE LINING - STD SIZE (TVS- AF235)	---	Applicable for 288342100132 /
-	-	RIVET	40	
-	-	BRAKE ASSY -AF235 LINING,160,STD SIZE	4	
-	277842990154	KIT-BRAKE LINING - OVER SIZE 1 (TVS- AF235)	---	Applicable for 288342100132 /
-	-	RIVET	40	
-	-	BRAKE ASSY -AF235 LINING,160,OS1	4	
-	277842990155	KIT-BRAKE LINING - OVER SIZE 2 (TVS- AF235)	---	Applicable for 288342100132 /
-	-	RIVET	40	
-	-	BRAKE ASSY -AF235 LINING,160,OS2	4	
-	278342990146	KIT-BRAKE LINE SHOE ASSY (MASU)	---	Applicable for 275242100143 /
5	-	PIN -FULCRUM	2	
6	-	ROLLER FRONT BRAKE ASSY.BIL	2	
3	-	SPRING	1	



Updated on : Thu May 5 2022 20:15:02

VC No : 20820132000R Group : (42) BRAKES Table : (42.42.01-FRONT WHEEL BRAKE S-CAM (BIL))

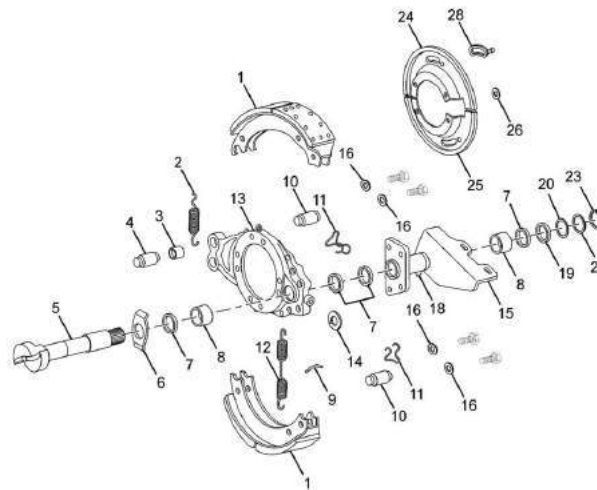
Fig.	Part No	Part Description	Qty	Remarks
2	-	LINE SHOE ASSY (MASU)	2	
4	-	SPRING-ABUTEMENT END	2	
-	-----	KIT-BRAKE LINING - STD SIZE (MASU)		Applicable for 275242100143 /
-	-	RIVET	40	
-	-	LINING (160 WIDE) STD SIZE	4	
-	-----	KIT-BRAKE LINING - OVER SIZE 1 (MASU)		Applicable for 275242100143 /
-	-	RIVET	40	
-	-	LINING (160 WIDE) OS1	4	
-	-----	KIT-BRAKE LINING - OVER SIZE 2 (MASU)		Applicable for 275242100143 /
-	-	RIVET	40	
-	-	LINING (160 WIDE) OS2	4	
-	278342990142	KIT-CAMSHAFT LH	-	
18	-	CAM SHAFT LH	1	
17	-	OIL SEAL (DOUBLE LIP)	2	
19	-	BUSH-BRACKET END	2	
-	278342990143	KIT-CAMSHAFT RH		
18	-	CAM SHAFT RH	1	
17	-	OIL SEAL (DOUBLE LIP)	2	
19	-	BUSH-BRACKET END	2	
-	278342990144	KIT-BRAKE DUST SHIELD	-	
13	-	DUST SHIELD -TOP,FRONT,410X160	1	
14	-	DUST SHIELD -BOTTOM,FRONT,410X160	1	
16	-	SET-BOLT	6	
15	-	SPRING WASHER	6	



Updated on : Thu May 5 2022 20:15:02

VC No : 20820132000R Group : (42) BRAKES Table : (42.42.02-FRONT WHEEL BRAKES(AAL))

Fig.	Part No	Part Description	Qty	Remarks
	263242100153	ASSY F/AXLE BRAKE RH WITH DUST COVER(MANU.SLACK ADJ)	1	FOR SELECTION AS ASET WITH M/S
	263242100154	ASSY F/AXLE BRAKE LH WITH DUST COVER(MANU.SLACK ADJ)	1	FOR SELECTION AS ASET WITH M/S
	288342100122	ASSY F/AXLE BRAKE RH WITH DUST COVER(AUTO SLACK ADJ)	1	FOR SELECTION AS ASET WITH M/S
	288342100123	ASSY F/AXLE BRAKE LH WITH DUST COVER(AUTO SLACK ADJ)	1	FOR SELECTION AS ASET WITH M/S
1	284642100233	BRAKE SHOE W/LINING & ROLLER BS1/2/3/4	4	
2	257342108708	SPRING (BRAKE SHOE RETURN)	4	
3	257342103401	BUSH (ANCHOR PIN)	2	
4	257342106723	ANCHOR PIN (BRAKE SHOE)	2	
5	261842107902	CAMSHAFT LH	1	
5	261842107901	CAMSHAFT RH	1	
6	257342109211	WASHER (CAM HEAD)	2	
7	257342107701	SEAL (CAMSHAFT)	2	
8	257342103402	BUSH (CAMSHAFT)	4	
9	257342103403	PIN	4	
10	257342107903	ROLLER (BRAKE SHOE)	4	
11	257342104301	RETAINER (BRAKE SHOE ROLLER)	4	
12	257342108703	SPRING BRAKE SHOE RETURN BS1/2/3/4	2	
13	257342100180	SPIDER BRAKE LH	1	
13	257342100181	SPIDER BRAKE RH	1	
14	257342105301	GASKET (CHAMBER BRACKET)	1	
15	257342103301	BRACKET LH	1	
15	257342103302	BRACKET RH	1	
16	257342109204	WASHER (BRACKET FOR CAP SCREW)	4	
18	257342109901	FITTING GREASE (CHAMBER BRACKET)	1	
19	261842109202	WASHER	2	



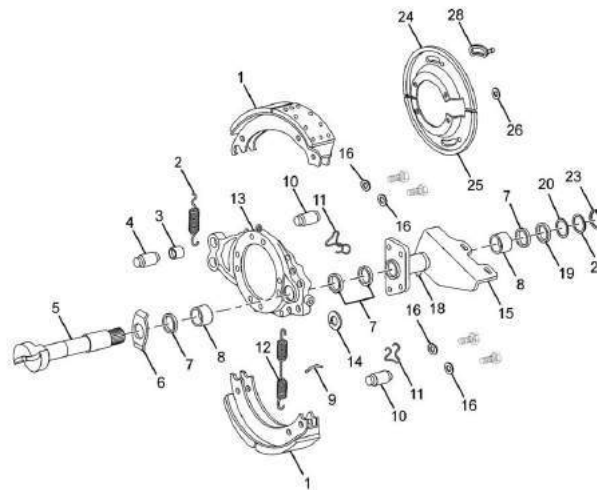
LP19120-42.42.02-R1

014

Updated on : Thu May 5 2022 20:15:02

VC No : 20820132000R Group : (42) BRAKES Table : (42.42.02-FRONT WHEEL BRAKES(AAL))

Fig.	Part No	Part Description	Qty	Remarks
20	261842109203	WASHER	2	
21	261842109204	WASHER (HARDENED)	2	
23	261842104301	LOCK RING	2	
24	257342108207	DUST SHIELD TOP	2	
25	257342108208	DUST SHIELD BOTTOM	1	
26	257342109208	WASHER	12	
28	257342106802	PLUG	4	
	257342106720	COLLARED PIN	4	
	257342103206	BOLT	4	
	257642106501	CASTLE NUT	4	
	13150609369	SPLIT PIN AX36	12	
	-----	REPAIR KITS		
	257342100183	FRONT BRAKE OVERHAUL KIT (MINOR) CONSISTS OF :	1	
	-----	BRAKE LINING	8	
	-----	RETAINING SPRING	4	
	-----	RETURN SPRING	2	
	-----	ROLLER	4	
	-----	RETAINER	4	
	-----	RIVETS	80	
	257342100148	SERVICE KIT (MINOR) FRONT CONSISTS OF :	1	
	-----	SPRING (RETAINING)	4	
	-----	SPRING (RETURN)	2	
	-----	ROLLER (BRAKE SHOE)	4	
	-----	RETAINER	4	
	-----	PIN (RETURN SPRING)	4	



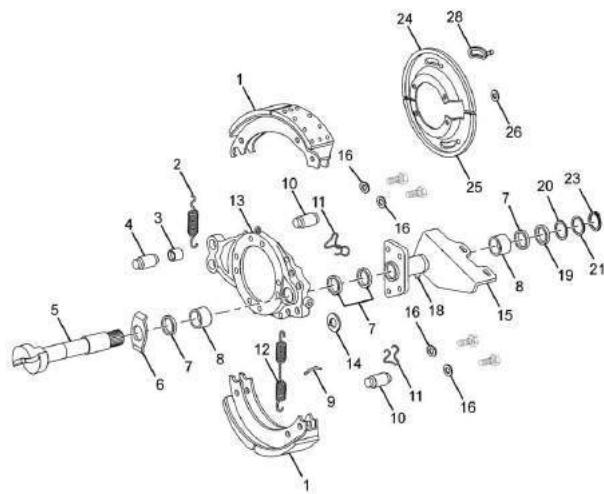
LP19120-42.42.02-R1

014

Updated on : Thu May 5 2022 20:15:02

VC No : 20820132000R Group : (42) BRAKES Table : (42.42.02-FRONT WHEEL BRAKES(AAL))

Fig.	Part No	Part Description	Qty	Remarks
	257342100149	BRAKE SPRING KIT (FRONT) CONSISTS OF :	1	
	-----	SPRING (RETAINING)	4	
	-----	SPRING (RETURN)	2	
	-----	RETAINER (SHOE ROLLER)	2	
	257342100150	SERVICE KIT FOR CAMSHAFT (FRONT) CONSISTS OF :	1	
	-----	BUSH	4	
	-----	SEAL	2	
	-----	LOCK RING	2	
	-----	BRAKE LINING SET		
	885442031618	BRAKE LINING KIT(OS1) 410X160NA1707 BS1-4	2	DOES NOT CONTAIN RIVET IN KIT
	885442041618	BRAKE LINING KIT(OS2) 410X160NA1707 BS1-4	2	DOES NOT CONTAIN RIVET IN KIT



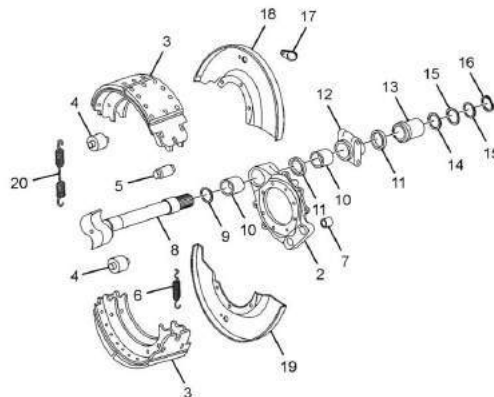
LP1912C-42.42.02-R1

014

Updated on : Thu May 5 2022 20:15:02

VC No : 20820132000R Group : (42) BRAKES Table : (42.42.03-REAR WHEEL BRAKES(BIL))

Fig.	Part No	Part Description	Qty	Remarks
-	283942300202	ASSY R/A BRAKE WITH DUST COVER LH (MANU.SLACK ADJ)	1	FOR SELECTION AS A SET WITH M/
-	283942300203	ASSY R/A BRAKE WITH DUST COVER RH (MANU.SLACK ADJ)	1	FOR SELECTION AS A SET WITH M/
-	283942300202	ASSY REAR DRUM BRAKE W/DUST COVER LH(AUTO SLACK ADJ)	1	FOR SELECTION AS A SET WITH M/
-	283942300203	ASSY REAR DRUM BRAKE W/DUST COVER RH(AUTO SLACK ADJ)	1	FOR SELECTION AS A SET WITH M/
2	257342313701	TORQUE PLATE LH / RH	2	
3	277842130106	ASSY. LINED SHOE BS1/2/3/4	4	
4	257342109902	ROLLER	4	
5	277842106701	PIN -FULCRUM	4	
6	288042108702	SPRING ABUTMENT END FOR FRONT BRK BS1- 6	4	
7	257342103408	BRAKE ASSY -BUSH,ABUTMENT END	4	
8	283942307902	CAMSHAFT RH (SHORTER TYPE)	1	
8	283942307901	CAMSHAFT LH (SHORTER TYPE)	1	
9	257342107702	O RING	2	
10	257342103408	BRAKE ASSY -BUSH,ABUTMENT END	4	
11	257342107801	OIL SEAL	6	
12	257342300190	CAMSHAFT BRACKET ASSY	2	
13	257342308401	SLEEVE (SLACK ADJ. END)	2	
14	257342109209	WASHER	2	
15	257342108301	SHIM 0.5 MM	2	FOR SELECTION
15	257342108302	SHIM 1.0 MM	2	FOR SELECTION
16	257342104303	CIRCLIP	4	
17	257342107501	GROMMET	2	
18	257342318212	DUST COVER (TOP)	2	
19	257342318213	DUST COVER (BOTTOM)	2	
20	257342108705	SPRING PULL OFF CAM END	2	

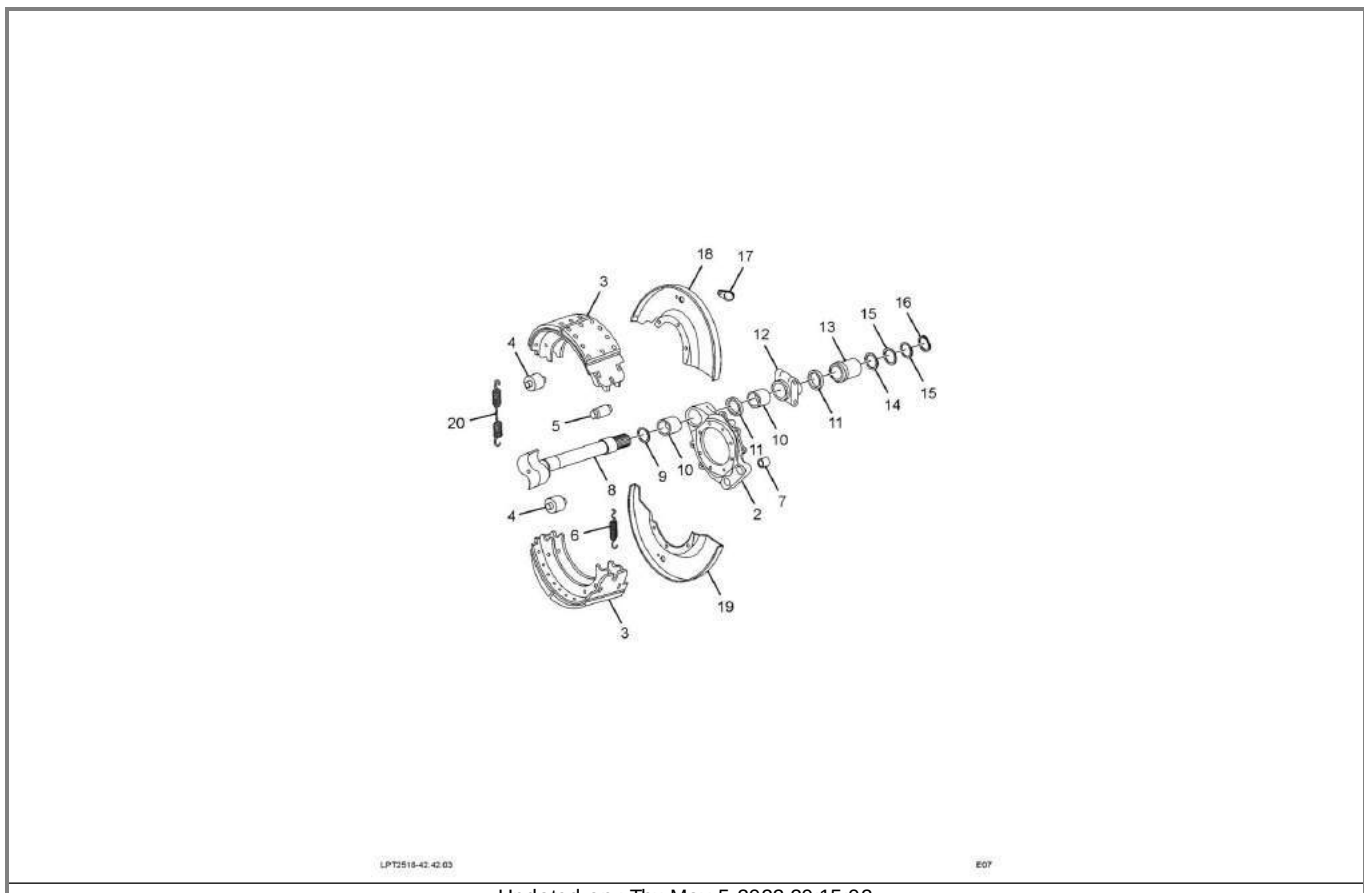


LPT2518-42-42-03

E07

Updated on : Thu May 5 2022 20:15:02

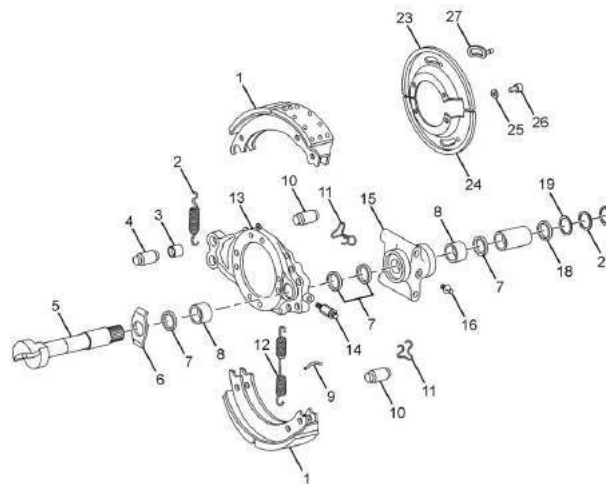
VC No : 20820132000R Group : (42) BRAKES Table : (42.42.03-REAR WHEEL BRAKES(BIL))				
Fig.	Part No	Part Description	Qty	Remarks
	-----	BRAKE LINING SET		
-	277642130101	SET OF BRAKE LININGS W/O RIVETS (WHEEL SET) REAR STD NASB	1	FOR SELECTION
-	885442051618	BRAKE LINING KIT(OS1)410X180NA1707 BS1-6	2	DOES NOT CONTAIN RIVET IN KIT
-	885442061618	BRAKE LINING KIT(OS2)410X180NA1707 BS1-6	2	DOES NOT CONTAIN RIVET IN KIT
-	885442190709	BRASS RIVETS BRK LNG 24 NOS BS1/2/3/4/6	1	
-	885442200709	ALUMINIUM RIVETS BRK LNG 24 Nos BS1- 4/6	1	



Updated on : Thu May 5 2022 20:15:02

VC No : 20820132000R Group : (42) BRAKES Table : (42.42.04-REAR WHEEL BRAKES(AAL))

Fig.	Part No	Part Description	Qty	Remarks
	263242300230	ASSY R/A BRAKE LH WITH DUST COVER (MANU.SLACK ADJ)	1	FOR SELECTION AS A SET WITH M/
	263242300229	ASSY R/A BRAKE RH WITH DUST COVER (MANU.SLACK ADJ)	1	FOR SELECTION AS A SET WITH M/
	284142300101	ASSY REAR AXLE BRAKE LH WITH DUST COVER(AUTO SLACK ADJ)	1	FOR SELECTION AS A SET WITH M/
	284142300102	ASSY REAR AXLE BRAKE RH WITH DUST COVER(AUTO SLACK ADJ)	1	FOR SELECTION AS A SET WITH M/
1	257342110148	BRAKE SHOE LINING & ROLLER ASSY BS1- 4	4	
2	257342108708	SPRING (BRAKE SHOE RETURN)	4	
3	257342103401	BUSH (ANCHOR PIN)	4	
4	257342106723	ANCHOR PIN (BRAKE SHOE)	2	
5	278242305106	S-CAM SHAFT LH	1	
5	278242305105	S-CAM SHAFT RH	1	
6	257342109211	WASHER (CAM HEAD)	2	
7	257342107701	SEAL (CAMSHAFT)	2	
8	257342303403	BUSH (CAMSHAFT)	4	
9	257342103403	PIN (RETURN SPRING)	4	
10	257342107903	ROLLER (BRAKE SHOE)	4	
11	257342104301	RETAINER (BRAKE SHOE ROLLER)	4	
12	257342108703	SPRING BRAKE SHOE RETURN BS1/2/3/4	2	
13	257342310149	SPIDER BRAKE LH/RH (COMMON)	2	
14	257342109901	FITTING GREASE (CHAMBER BRACKET)	2	
19	261842109202	WASHER CAMSHAFT (THICK)	2	
21	261842109204	WASHER (HARDENED)	2	
18	261842104301	LOCK RING (CAMSHAFT)	2	
16	257342309906	FITTING GREASE (SPIDER)	2	
15	257342307123	PLUMMER BLOCK	2	
23	257342308204	DUST SHIELD TOP	2	

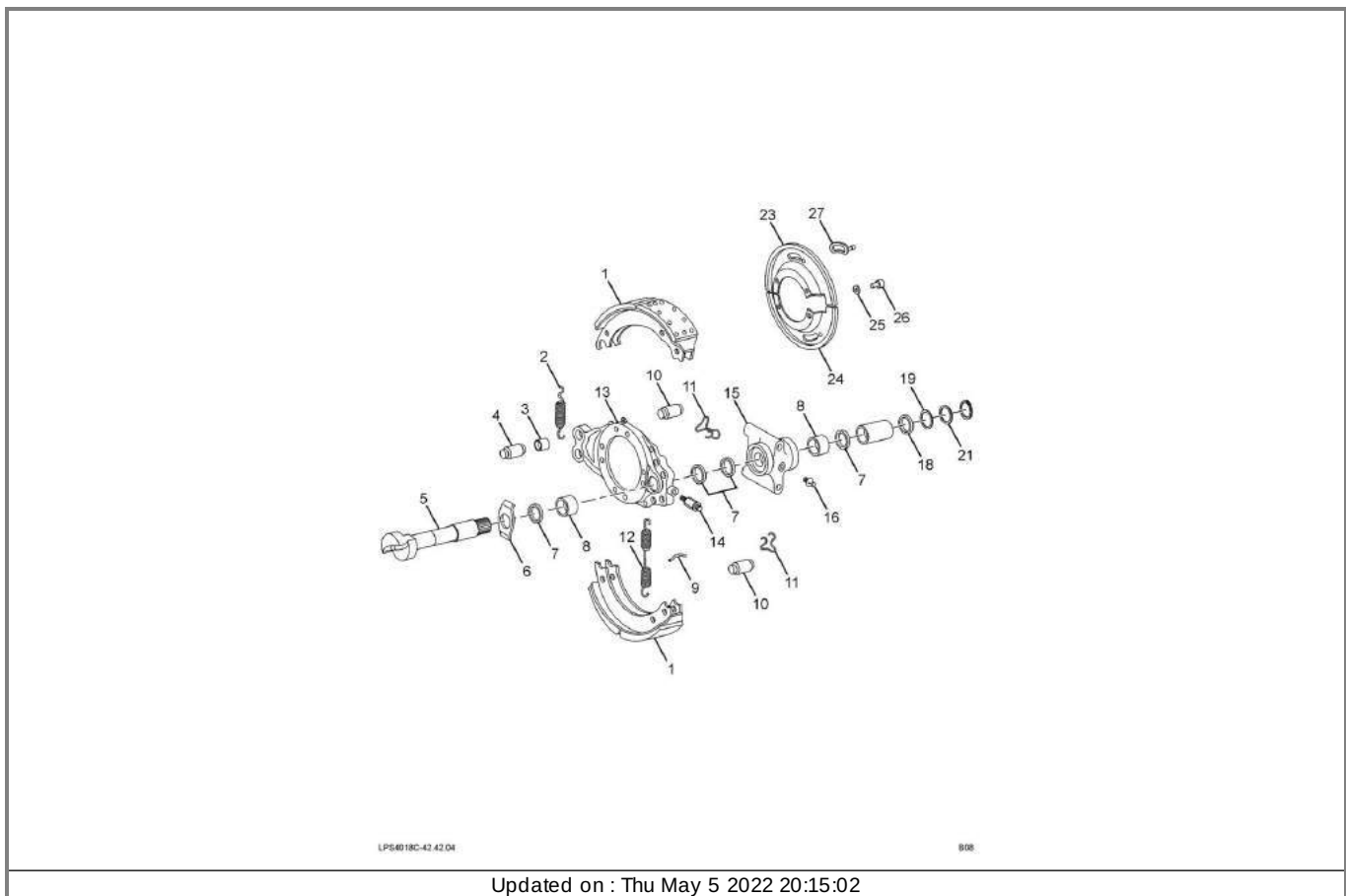


LPS4018C-42.42.04

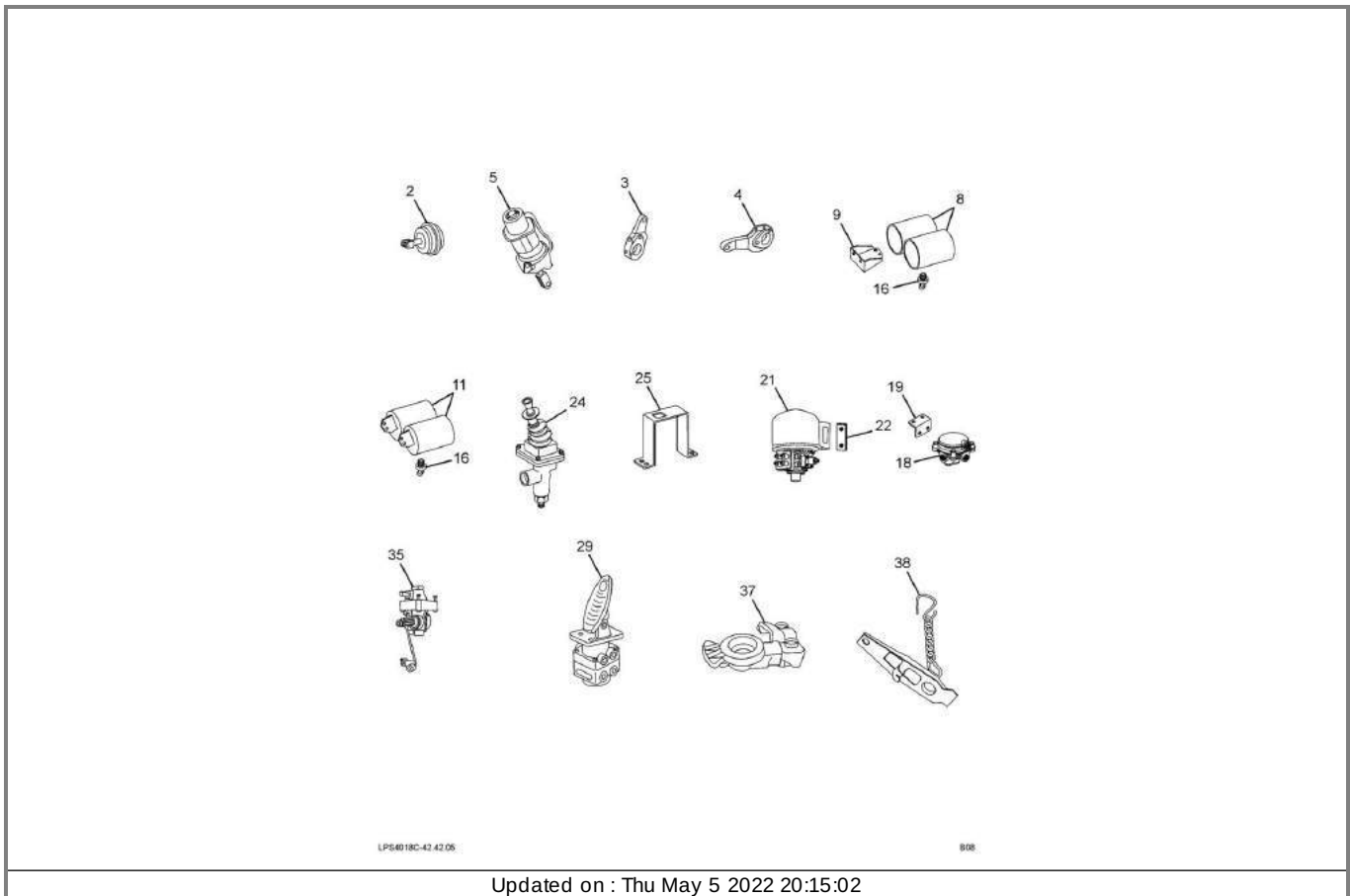
808

Updated on : Thu May 5 2022 20:15:02

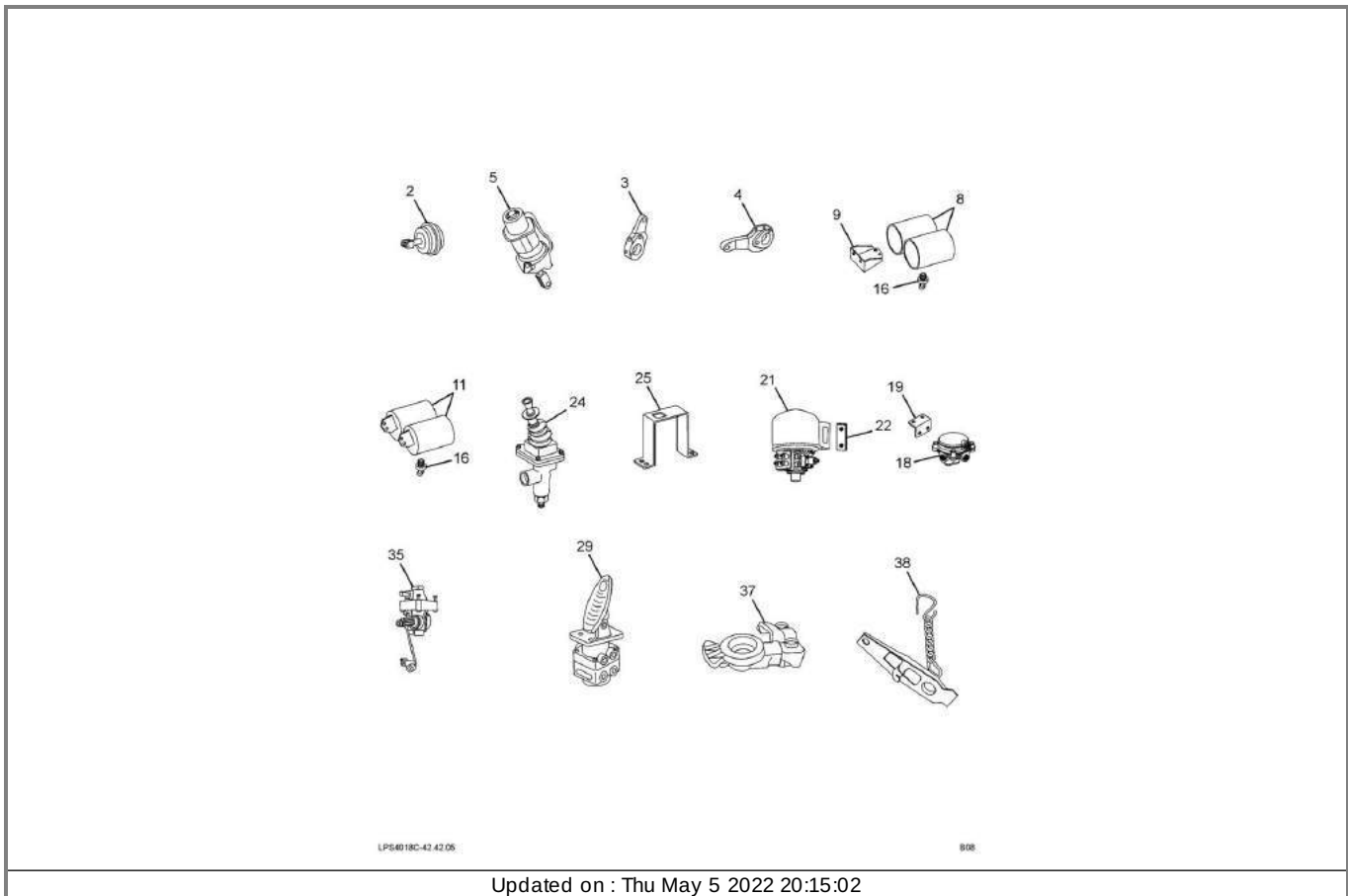
VC No : 20820132000R Group : (42) BRAKES Table : (42.42.04-REAR WHEEL BRAKES(AAL))				
Fig.	Part No	Part Description	Qty	Remarks
24	257342308205	DUST SHIELD BOTTOM	2	
25	257342109208	WASHER	12	
27	257342106802	PLUG	2	
26	257342107405	RIVET	80	
	-----	REPAIR KIT		
	257342100148	SERVICE KIT (MINOR) REAR CONSISTS OF :	1	
	-----	SPRING (RETAINING)	4	
	-----	SPRING (RETURN)	2	
	-----	ROLLER (BRAKE SHOE)	4	
	-----	RETAINER	4	
	-----	PIN (RETURN SPRING)	1	
	257342100149	BRAKE SPRING KIT (REAR) CONSISTS OF :	1	
	-----	SPRING (RETAINING)	4	
	-----	SPRING (RETURN)	2	
	-----	RETAINER	4	
	257342300183	SERVICE KIT CAMSHAFT (REAR) CONSISTS OF :	1	
	-----	BUSH	4	
	-----	SEAL	2	
	-----	LOCK RING	2	
	-----	BRAKE LINING SET		
	277642130101	SET OF BRAKE LININGS W/O RIVETS (WHEEL SET) REAR STD NASB	1	FOR SELECTION
	885442051618	BRAKE LINING KIT(OS1)410X180NA1707 BS1-6	2	DOES NOT CONTAIN RIVET IN KIT
	885442061618	BRAKE LINING KIT(OS2)410X180NA1707 BS1-6	2	DOES NOT CONTAIN RIVET IN KIT
-	885442190709	BRASS RIVETS BRK LNG 24 NOS BS1/2/3/4/6	1	
-	885442200709	ALUMINIUM RIVETS BRK LNG 24 Nos BS1- 4/6	1	



VC No : 20820132000R Group : (42) BRAKES Table : (42.42.05-BRAKE AGGREGATES AND PIPES (W/O ABS BRAKES))				
Fig.	Part No	Part Description	Qty	Remarks
2	278242100106	BRAKE CHAMBER TYPE 24 BS1/2/3/4	2	FOR SELECTION
2	280642100101	BRAKE CHAMBER TYPE 24 (KB)	2	FOR SELECTION
5	278243700117	SPRING BRAKE ACTUATOR TYPE 24/75 BS2/3	2	FOR SELECTION UPTO SEP07
5	278242300124	SPRING BRAKE ACTUATOR RH 24/24(KB)-NON VOSS	1	FOR SELECTION UPTO SEP07
5	278242300125	SPRING BRAKE ACTUATOR LH 24/24(KB)-NON VOSS	1	FOR SELECTION UPTO SEP07
5	283942300178	SPRING BRAKE ACTUATOR RH 24/24(SCL)-NON VOSS	1	FOR SELECTION UPTO SEP07
5	283942300179	SPRING BRAKE ACTUATOR LH 24/24(SCL)-NON VOSS	1	FOR SELECTION UPTO SEP07
5	278243700145	BRAKE ACTUATOR(VOSS-LH)24/75 BS1/2/3	2	FOR VOSS CONN FROM OCT07
5	278242300139	SPRING BRAKE ACTUATOR RH TYPE 20/24(KB)	1	FOR VOSS CONN FROM OCT07
5	278242300140	SPRING BRAKE ACTUATOR LH TYPE 20/24(KB)	1	FOR VOSS CONN FROM OCT07
	283942303401	BUSH-S.B.ACTUATOR MTG.BKT	1	
	283942307801	OIL SEAL-CHAMBER MTG.BKT	2	
3	257342100160	SLACK ADJUSTER. FRT (MANUAL) BS2/3	4	UPTO MAY07
4	277842300182	SLACK ADJUSTER STRAIGHT BS1/2/3/4	4	FROM JUNE07 FOR SELECTION
4	277842300182	SLACK ADJUSTER STRAIGHT BS1/2/3/4	4	FROM JUNE07 FOR SELECTION
	277842108301	SHIM FOR SLACK ADJUSTER	AR	FROM JUNE07
	289242303201	HEX BOLT	16	FROM JUNE07
	12302598027	HEX NUT W/COLLAR M16X1.5	16	FROM JUNE07
	277842108202	ANCHOR BRACKET-RH FRT	1	FROM JUNE07
	277842108201	ANCHOR BRACKET-LH FRT	1	FROM JUNE07
8	282543200109	ASSY AIR TANK--NON VOSS TYPE	2	FOR NONVOSS CONN UPTO SEP07
9	284143200102	ASSY BRACKET-AIR TANK MOUNTING	4	
11	284143200103	ASSY AIR TANK WITH BRACKET(VOSS)	1	FOR VOSS CONN FROM OCT07
16	257643790159	WATER DRAIN VALVE TILT TYPE BS1/2/3/4	2	
18	258843700103	TRAILER CONTROL VALVE	1	FOR NONVOSS CONN UPTO SEP07

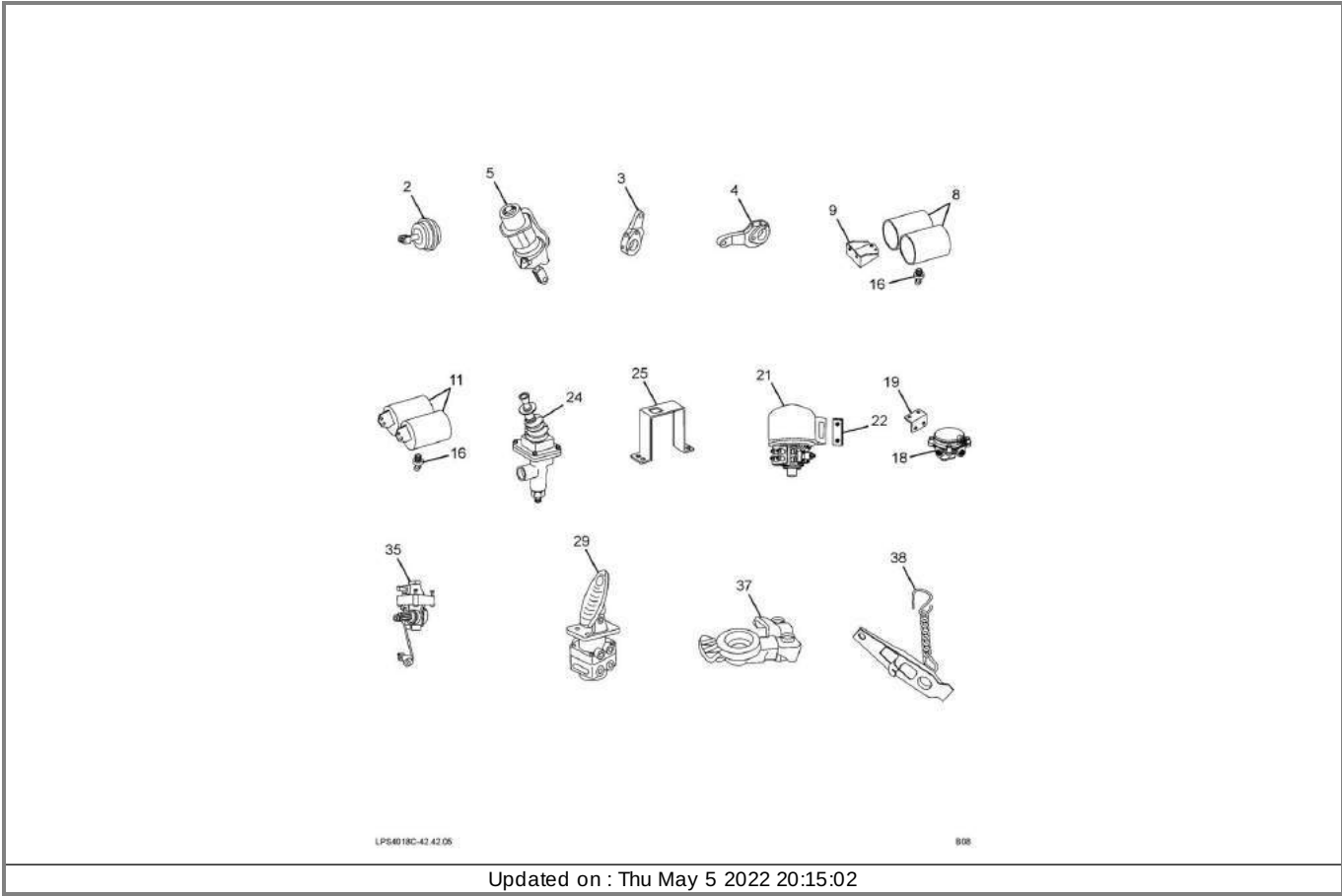


VC No : 20820132000R Group : (42) BRAKES Table : (42.42.05-BRAKE AGGREGATES AND PIPES (W/O ABS BRAKES))				
Fig.	Part No	Part Description	Qty	Remarks
18	280943700130	TRAILER CONTROL VALVE BS1/2/3/4	1	FOR VOSS CONN FROM OCT07
19	257642913301	BRACKET	2	
21	263243700103	DRYING AND DISTRIBUTION UNIT-NON VOSS	1	FOR NONVOSS CONN UPTO SEP07
21	264343700124	DRYING & DIST HI PR VOSS W/O CNTL BS1- 4	1	FOR VOSS CONN FROM OCT07
22	284143200101	ASSY BRACKET-DDU MOUNTING	1	
24	257343700153	GRADUATED HAND CONTROL VALVE	1	FOR NONVOSS CONN UPTO SEP07
24	288443700105	GRADUATED HAND CONTROL VALVE(VOSS&LP SWT)	1	FOR VOSS CONN FROM OCT07
25	263142700101	ASSY BRACKET (H.B.V. MTG.)-R.H.	1	
29	278243700105	ASSY DUAL TREADLE VALVE RHD LPT2515TC	1	FOR NONVOSS CONN FOR SELECTION
29	278243700105	DUAL BRAKE VALVE WITH FILTER	1	FOR NONVOSS CONN FOR SELECTION
29	263243700109	DUAL BRAKE VALVE VOSS BS1/2/3/4	1	FOR VOSS CONN FROM OCT07
35	278343700101	AUTOMATIC LOAD SENSING VALVE	1	FOR NONVOSS CONN UPTO SEP07
	276842400101	ASSY PULL ROD	1	
	275442400102	ASSY BRACKET	1	
35	280943700128	AUTOMATIC LOAD SENSING VALVE-VOSS	1	FOR VOSS CONN FROM OCT07
	275442403301	BRACKET	1	FOR VOSS CONN FROM OCT07
37	258843700101	PALM COUPLING TRACTOR SUPPLY LINE	1	FOR NONVOSS CONN UPTO SEP07
37	278243700116	PALM COUPLING TRACTOR SUPPLY LINE	1	FOR VOSS CONN FROM OCT07
37	258843700102	PALM COUPLING TRACTOR CONTROL LINE	1	FOR NONVOSS CONN UPTO SEP07
37	278243700132	PALM COUPLING-TRACTOR CONTROL LINE	1	FOR VOSS CONN FROM OCT07
37	257443790153	PALM COUPLING (TRAILER-SUPPLY LINE)	1	FOR NONVOSS CONN UPTO SEP07
37	278243700130	PALM COUPLING (TRAILER-SUPPLY LINE)	1	FOR VOSS CONN FROM OCT07
37	257443790152	PALM COUPLING (TRAILER -CONTROL LINE)	1	FOR NONVOSS CONN UPTO SEP07
37	278243700127	PALM COUPLING (TRAILER -CONTROL LINE)	1	FOR VOSS CONN FROM OCT07
38	257643798212	DUMMY COUPLING	2	



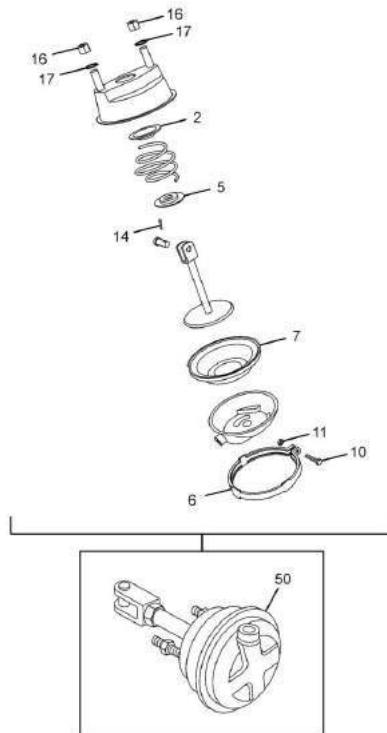
Updated on : Thu May 5 2022 20:15:02

VC No : 20820132000R Group : (42) BRAKES Table : (42.42.05-BRAKE AGGREGATES AND PIPES (W/O ABS BRAKES))				
Fig.	Part No	Part Description	Qty	Remarks
	257643798221	BRACKET	2	
	-----	PIPE LINES		
	252513130107	ASSY TUBE (ON AIR COMPRESSOR OUTLET PORT)	1	
	278613135802	HOSE (AIR COMPRESSOR 18 ID,200L)	1	
	208243900132	ASSY. TUBE ON COMP.O/P(DL-1295 LG) BS1-4	1	
	208243900130	ASSY TUBE(18 O.D.X2561LG)	1	
	208243900131	ASSY TUBE(15 O.D.X1785LG)	1	
	257354200155	HOSE ASSY AIR PRESSURE GAUGE	2	
	257342950177	HOSE W/END FITTINGS BS1/2/3/4	3	
	207742940126	SET ASSY NYLON PIPE COMPLETE	1	OPTIONAL
	207743900101	SET ASSY NYLON PIPE COMPLETE	1	OPTIONAL
	263243920181	ANTI SLAG COILED HOSE BS1/2/3/4/6	1	
	263243920181	ANTI SLAG COILED HOSE BS1/2/3/4/6	1	



VC No : 20820132000R Group : (42) BRAKES Table : (42.42.07-FRONT BRAKE CHAMBER)

Fig.	Part No	Part Description	Qty	Remarks
50	278242100106	BRAKE CHAMBER TYPE 24 BS1/2/3/4	2	FOR SELECTION
50	280642100101	BRAKE CHAMBER(KB-TYPE 24)	2	FOR SELECTION
	-----	BRAKE CHAMBER REPAIR KIT-SCL-	1	PART NO WILL BE INFORMED LATER
	-----	CONSISTS OF :-		
-	-----	DIAPHRAGM	1	
-	-----	CHECK VALVE	1	
-	-----	GAITER	1	
	263243710155	MAJOR SPARE KIT-SERVICE-2K000054 - KB		
	-----	SPACER (KB-Z003754)	1	
	-----	CLAMP RING(KB-2C61144)	1	
	-----	NUT(KB-467306)	1	
	-----	COTTER PIN(KB-1149024425)	1	
	-----	DIAPHRAGM(KB-2B64322)	1	
	-----	BELLOW(KB-Z013220)	1	
	-----	SCREW(KB-469699)	1	
	263243710154	MINOR SPARE KIT-SERVICE-2K000155 - KB		
	-----	COTTER PIN(KB-1149024425)	1	
	-----	DIAPHRAGM(KB-2B64322)	1	
	-----	BELLOW(KB-Z013220)	1	
2	-----	SPRING RETAINER	1	
6	-----	CLAMP RING	1	
11	-----	NUT	1	
16	-----	NUT	2	
14	-----	COTTER PIN	1	
-	-----	CONNECTOR	1	



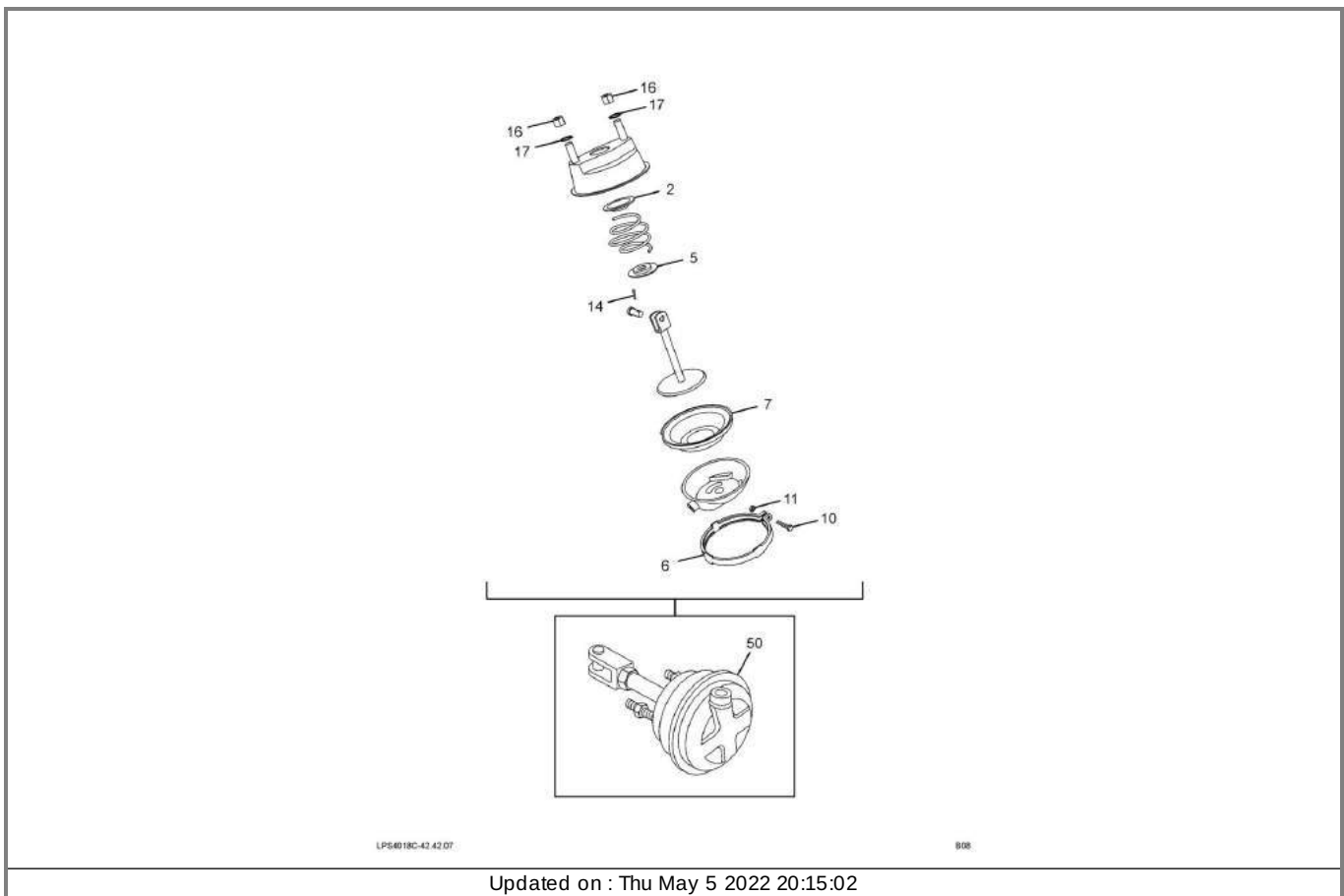
LPS4018C-42.42.07

808

Updated on : Thu May 5 2022 20:15:02

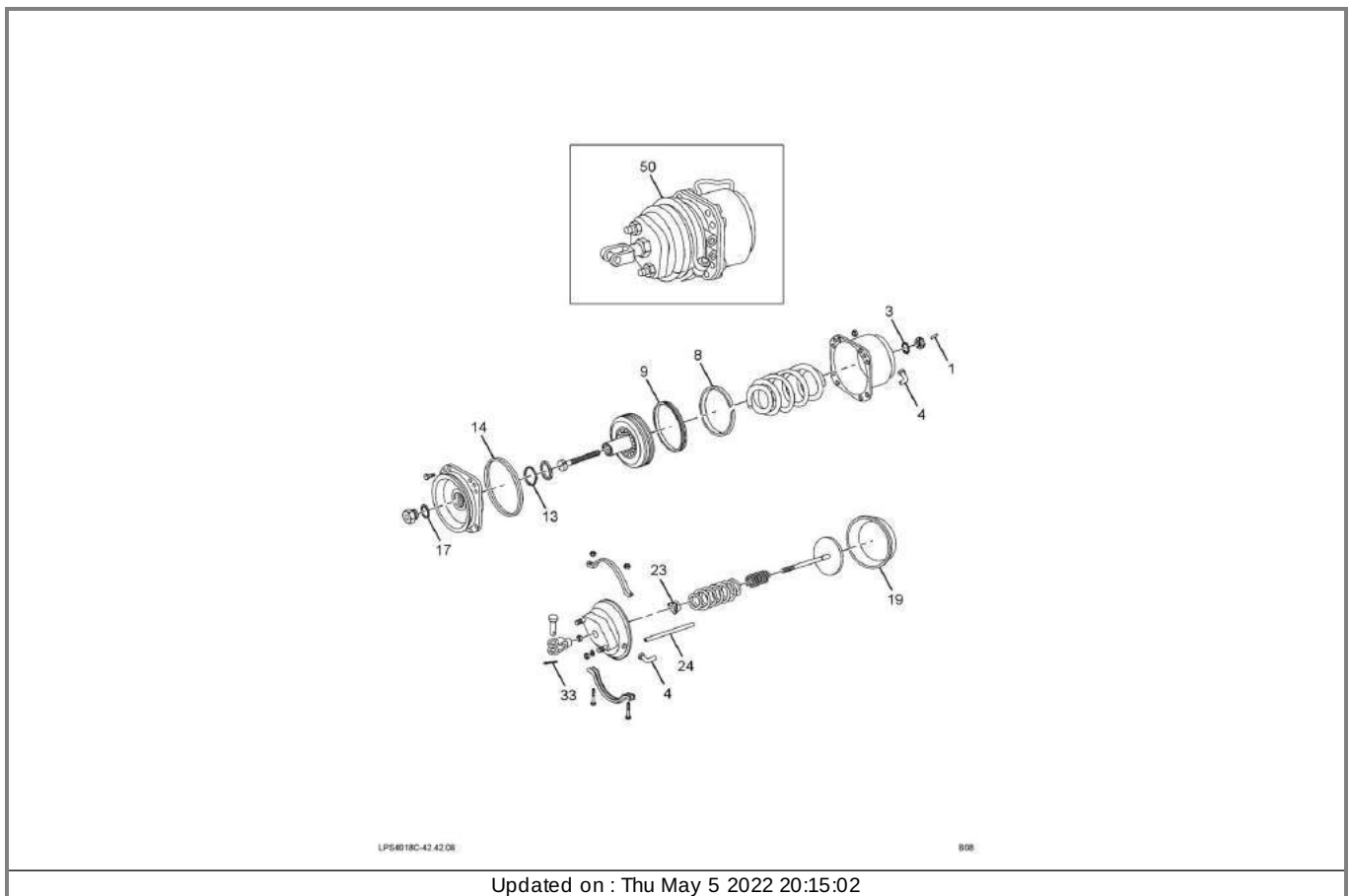
VC No : 20820132000R Group : (42) BRAKES Table : (42.42.07-FRONT BRAKE CHAMBER)

Fig.	Part No	Part Description	Qty	Remarks
7	-----	DIAPHRAGM	1	
-	-----	O-RING	1	
10	-----	SCREW	1	
5	-----	SPRING RETAINER	1	
17	-----	WASHER	1	
-	-----	THRUST RING	1	



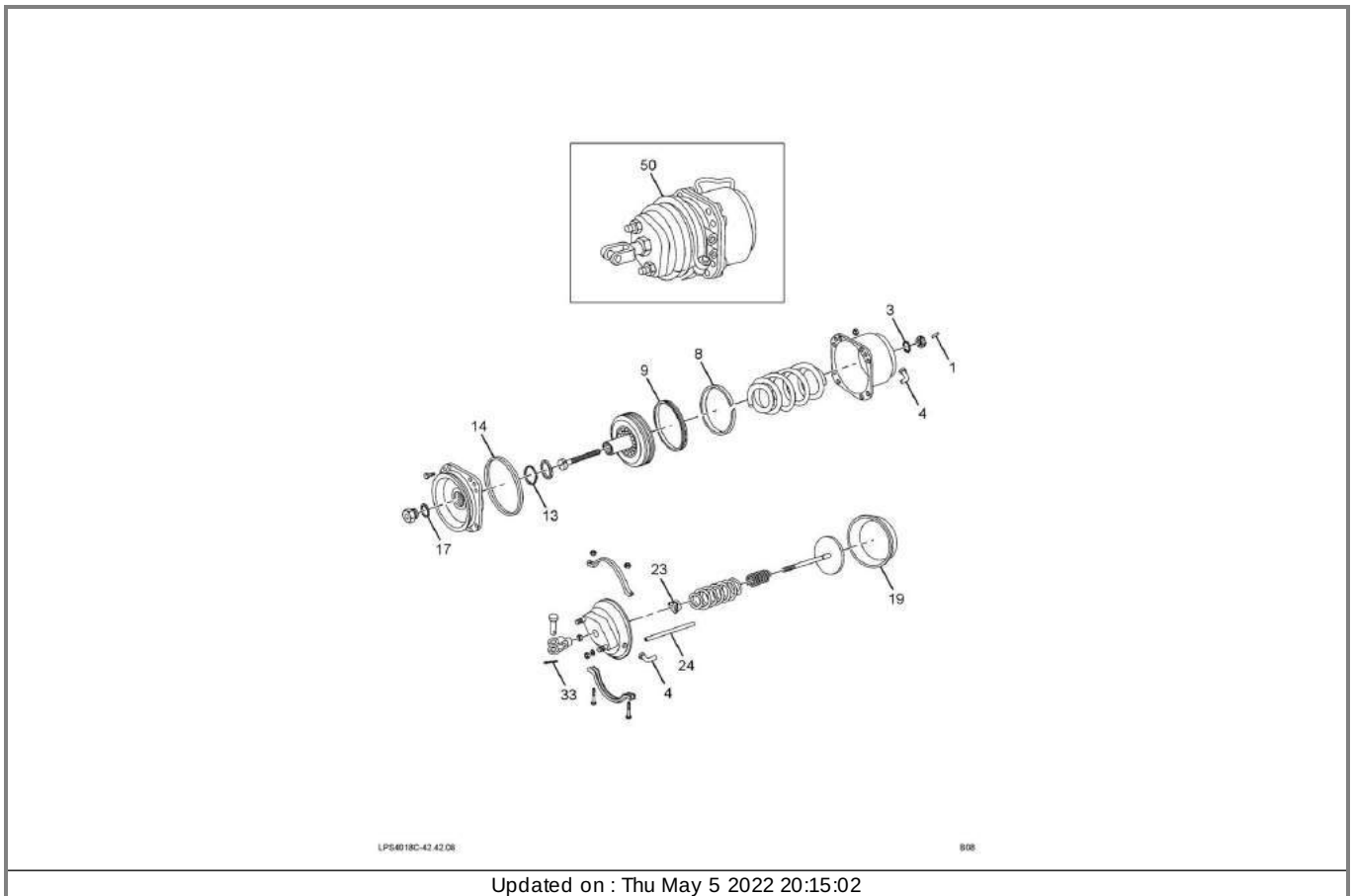
Updated on : Thu May 5 2022 20:15:02

VC No : 20820132000R Group : (42) BRAKES Table : (42.42.08-REAR BRAKE ACTUATOR(SCL))				
Fig.	Part No	Part Description	Qty	Remarks
50	278243700117	SPRING BRAKE ACTUATOR TYPE 24/75 BS2/3	2	FOR SELECTION UP TO SEP07
50	283942300178	SPRING BRAKE ACTUATOR RH 24/24(SCL)-NON VOSS	1	FOR SELECTION UP TO SEP07
50	283942300179	SPRING BRAKE ACTUATOR LH 24/24(SCL)-NON VOSS	1	FOR SELECTION UP TO SEP07
50	278243700145	BRAKE ACTUATOR(VOSS-LH)24/75 BS1/2/3	2	FOR VOSS CONNECTION FROM OCT07
	261842300132	REPAIR KIT FOR SPRING BRAKE ACTUATOR REAR CONSISTS OF :	1	APPLICABLE FOR PART NO. 263242
1	-----	KNURL PIN	1	
3	-----	WASHER SEALING	1	
4	-----	ELBOW	2	
8	-----	BEARING	1	
9	-----	SEAL	1	
13	-----	BEARING	1	
14	-----	SEALING RING	1	
17	-----	O RING	1	
19	-----	DIAPHRAGM	1	
23	-----	SEAL	1	
24	-----	TUBE	1	
33	-----	SPLIT PIN	1	
	-----	GREASE SACHET	4	
	257343300102	REPAIR KIT (MINOR) SPRING BRAKE ACTUATOR-T24/24,CONSISTS OF:-	1	APPLICABLE FOR NON VOSS TYPE B
	-----	SPRING DOWEL SLEEVE	1	
3	-----	SEALING WASHER	1	
4	-----	ELBOW	2	
8	-----	BEARING	1	
9	-----	SEAL	1	
	-----	NYLON WASHER	1	



VC No : 20820132000R Group : (42) BRAKES Table : (42.42.08-REAR BRAKE ACTUATOR(SCL))

Fig.	Part No	Part Description	Qty	Remarks
13	-----	BEARING	1	
14	-----	SEALING RING	1	
	-----	END COVER JOINT	1	
17	-----	SEALING RING	1	
23	-----	SEAL ASSY	1	
24	-----	TUBE	1	
	-----	CLIP	2	
	-----	GREASE SACHET	3	
	-----	REPAIR KIT SPRING BRAKE ACTUATOR T-24/75,CONSISTS OF:-	1	PART NO WILL BE INFORMAD LATER
1	-----	KNURL PIN	1	
3	-----	SEALING WASHER	1	
4	-----	ELBOW	2	
8	-----	BEARING	1	
9	-----	INTEGRAL SEAL	1	
14	-----	SEALING RING	1	
13	-----	BEARING	1	
	-----	SEALING RING	1	
17	-----	SEALING RING	1	
19	-----	DIAPHRAGM	1	
23	-----	DUST SEAL	1	
24	-----	TUBE	1	
	-----	CHECK VALVE	1	
	-----	GAITER	1	
33	-----	SPLIT PIN	1	
	-----	NG12 RETAINING CLIP	2	



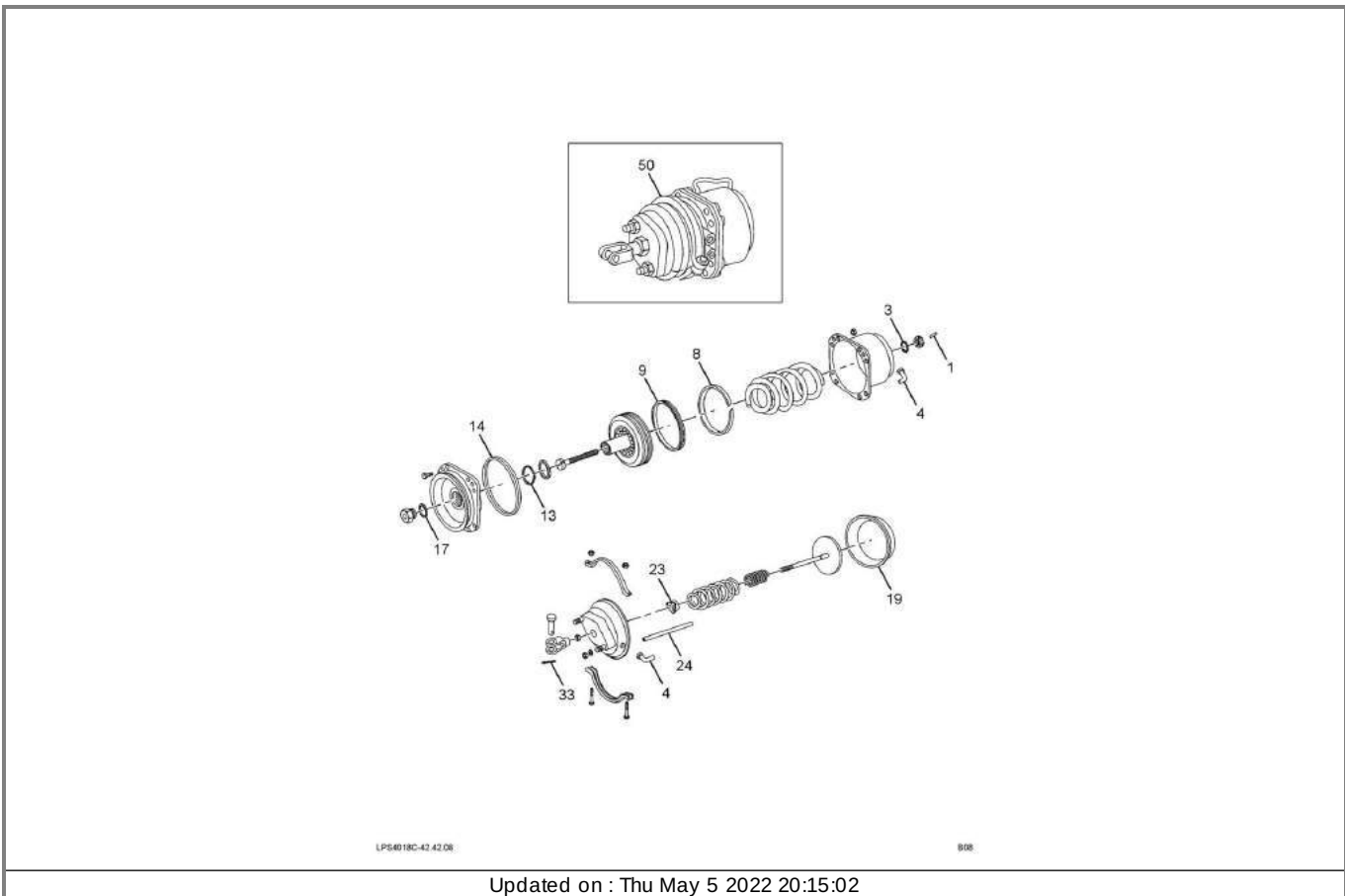
LPS4018C-42.42.08

808

Updated on : Thu May 5 2022 20:15:02

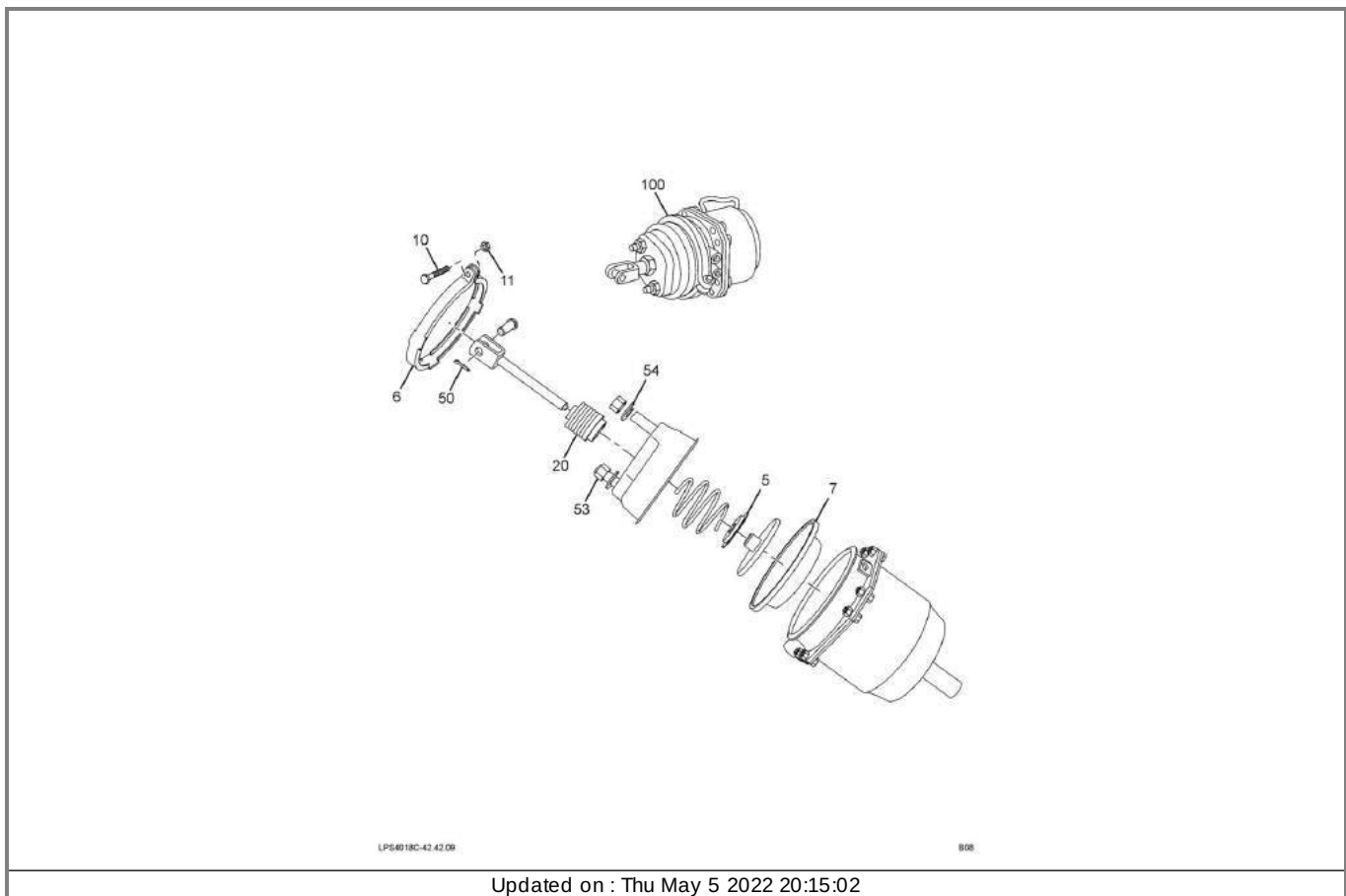
VC No : 20820132000R Group : (42) BRAKES Table : (42.42.08-REAR BRAKE ACTUATOR(SCL))

Fig.	Part No	Part Description	Qty	Remarks
	-----	SPRING ELEMENT	2	
	-----	P2C FITTING	2	
	-----	GREASE SACHET	4	



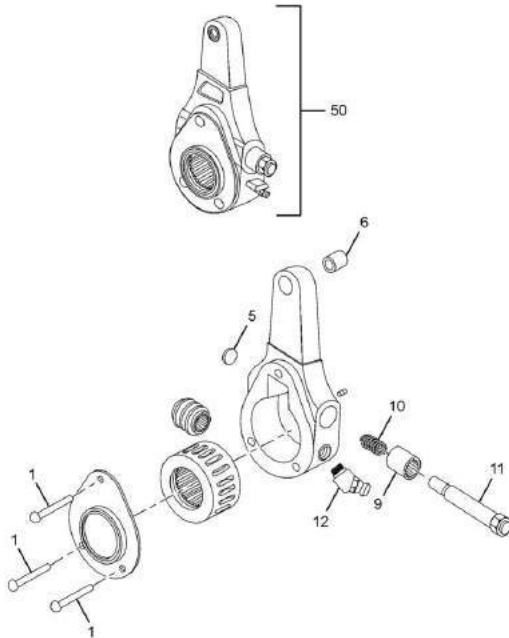
VC No : 20820132000R Group : (42) BRAKES Table : (42.42.09-REAR BRAKE ACTUATOR(KB))

Fig.	Part No	Part Description	Qty	Remarks
100	278242300124	SPRING BRAKE ACTUATOR RH 24/24(KB)-NON VOSS	1	FOR NON VOSS CONNECTION UP TO
100	278242300125	SPRING BRAKE ACTUATOR LH 24/24(KB)-NON VOSS	1	FOR NON VOSS CONNECTION UP TO
100	278242300139	SPRING BRAKE ACTUATOR RH TYPE 20/24(KB) VOSS	1	FOR VOSS CONNECTION FROM OCT07
100	278242300140	SPRING BRAKE ACTUATOR LH TYPE 20/24(KB) VOSS	1	FOR VOSS CONNECTION FROM OCT07
	263243710115	REPAIR KIT SPRING BRAKE ACTUATOR T-24/24,CONSISTS OF:-	1	APPLICABLE FOR NON VOSS TYPE B
6	-----	CLAMP RING	1	
5	-----	SPRING RETAINER	1	
7	-----	DIAPHRAGM	1	
10	-----	SCREW	1	
11	-----	NUT	1	
20	-----	BELLOWS	1	
50	-----	COTTER PIN	1	
53	-----	NUT	2	
54	-----	WASHER	2	
-	-----	SPRING RETAINER NG12	2	
-	-----	RETAINER RING NG12	2	
-	-----	HEX CONNECTOR WITH O RING	2	
	263243710116	REPAIR KIT SPRING BRAKE ACTUATOR T-20/24,CONSISTS OF:-	1	APPLICABLE FOR VOSS TYPE BRAKE
10	-----	SCREW	1	
11	-----	NUT	1	
50	-----	COTTER PIN	1	
53	-----	NUT	2	
54	-----	WASHER	2	



VC No : 20820132000R Group : (42) BRAKES Table : (42.42.10-SLACK ADJUSTER)

Fig.	Part No	Part Description	Qty	Remarks
50	257342100160	SLACK ADJUSTER. FRT (MANUAL) BS2/3	4	UP TO MAY07
50	277842300182	SLACK ADJUSTER STRAIGT BS1/2/3/4	4	FROM JUNE07 FOR SELECTION
50	277842300182	SLACK ADJUSTER STRAIGT BS1/2/3/4	4	FROM JUNE07 FOR SELECTION
	257342100168	REPAIR KIT SLACK ADJUSTER(MANUAL) CONSISTS OF :	1	FOR PART NO 257342100160
1	-----	RIVET	3	
5	-----	WELCH PLUG	1	
6	-----	BUSH	1	
	-----	PIN	1	
9	-----	LOCK (WORM SHAFT)	1	
10	-----	SPRING	1	
11	-----	WORM SHAFT	1	
12	-----	LUBRICATING NIPPLE	1	



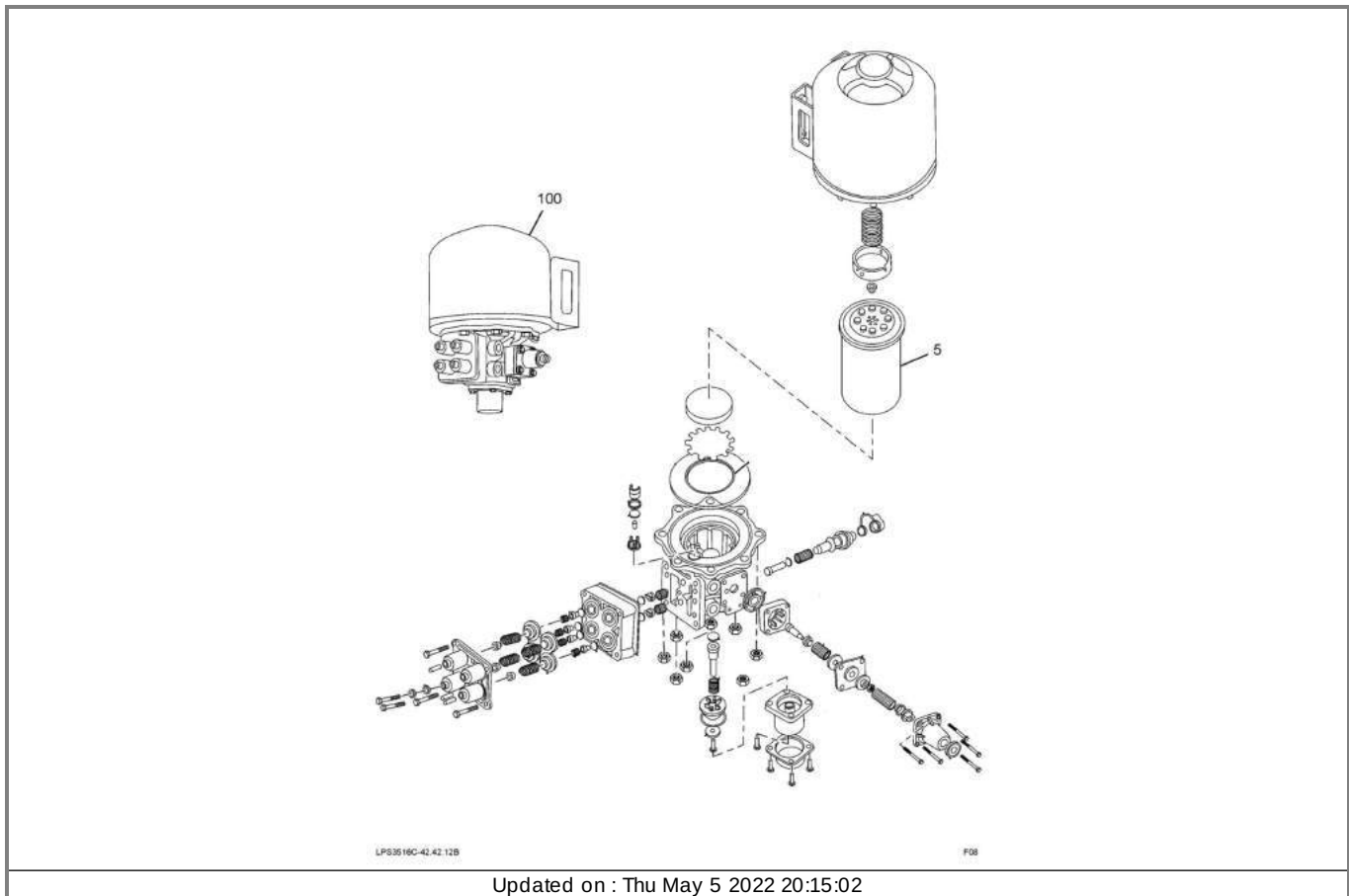
LPT 2518-42 42 50

D07

Updated on : Thu May 5 2022 20:15:02

VC No : 20820132000R Group : (42) BRAKES Table : (42.42.11-DRYING AND DISTRIBUTION UNIT (SCL))

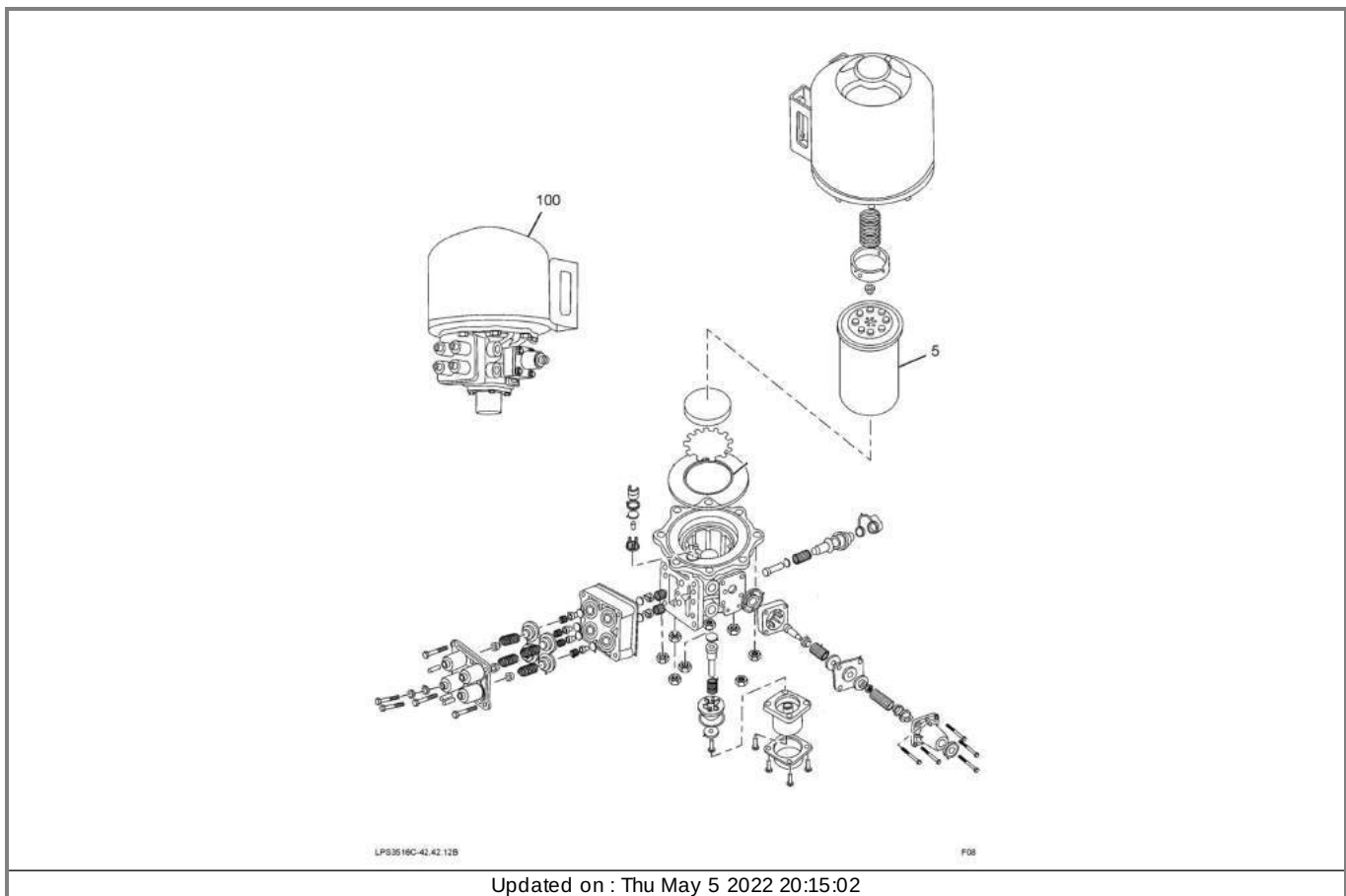
Fig.	Part No	Part Description	Qty	Remarks
100	264343700124	DRYING & DIST HI PR VOSS W/O CNTL BS1- 4	1	
-	885444202516	KIT-DDU REPAIR MAJOR BS1/2/3/4	1	
5	216343709919	Desiccant Cartridge	1	
-	-	SEALING RING	1	
-	-	SEALING RING	1	
-	-	1-RingR12 Relay Valve	1	
-	-	Filter	1	
-	-	O Ring	1	
-	-	Spherical Valve	1	
-	-	Silencer Assembly	1	
-	-	NG8 Retaining Clip	1	
-	-	NG8 Spring Element	1	
-	-	Exhaust Flap-Combined Unit	1	
-	-	combined Unit/Air Dryer	1	
-	-	Diaphragm	1	
-	-	Gasket	1	
-	-	O-RING	1	
-	-	Sealing Ring (Lever Con Valve)	6	
-	-	Spherical Valve	1	
-	-	Gasket	1	
-	-	Qspv Diaphragm	1	
-	-	Sealing ring	1	
-	-	O-RING	4	
-	-	Ng12 Spring Element	4	
-	-	NG12-RETAINING CLIP	4	



Updated on : Thu May 5 2022 20:15:02

VC No : 20820132000R Group : (42) BRAKES Table : (42.42.11-DRYING AND DISTRIBUTION UNIT (SCL))

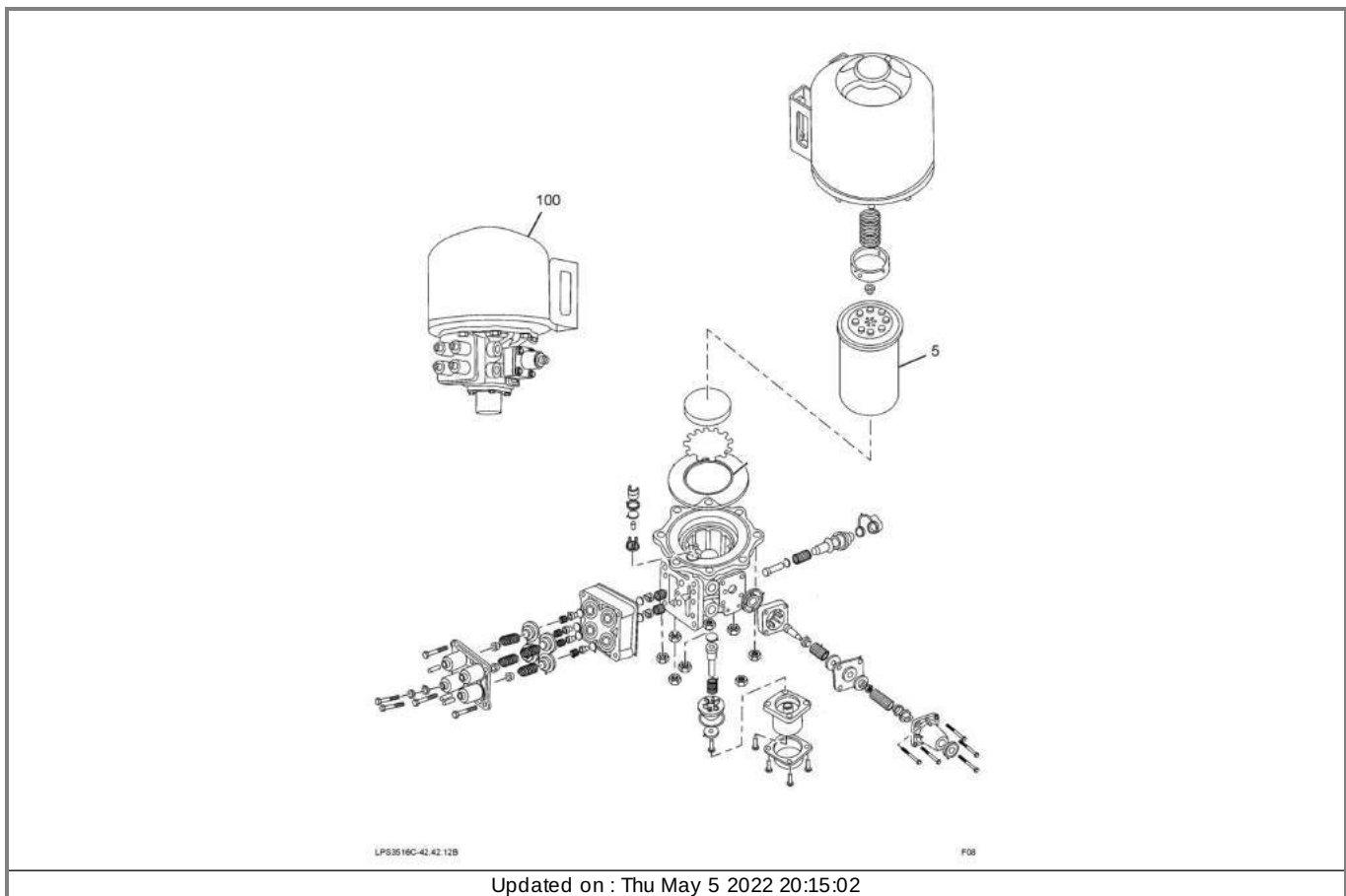
Fig.	Part No	Part Description	Qty	Remarks
-	-	Compression Spring-Combined unit	1	
-	-	Valve Seat	1	
-	-	Valve	6	
-	-	Compression Spring-Qspv(New)	7	
-	-	Lip Seal	1	
-	-	Spring-Combined UnitHcv	1	
-	-	O-RING	4	
-	-	O-RING	4	
-	-	O-RING	1	
-	-	O-RING	1	
-	-	Grease Satchet(JED-003-MO)-OKS	2	
-	-	Washer	1	
-	-	Sealing Ring	1	
-	-	Sealing Ring-Ghcv (Al)	1	
-	-	100911150essure Test Connector	1	
-	-	Dust Cap-Pwoc/Combined Unit	1	
-	-	Filter	1	
-	278243700188	REPAIR KIT-DDU (MINOR) BS1/2/3/4	1	
-	-	Purge Valve	1	
-	-	SEALING RING	1	
-	-	SEALING RING	1	
-	-	1-RingR12 Relay Valve	1	
-	-	Filter	1	
-	-	O Ring	1	
-	-	Spherical Valve	1	



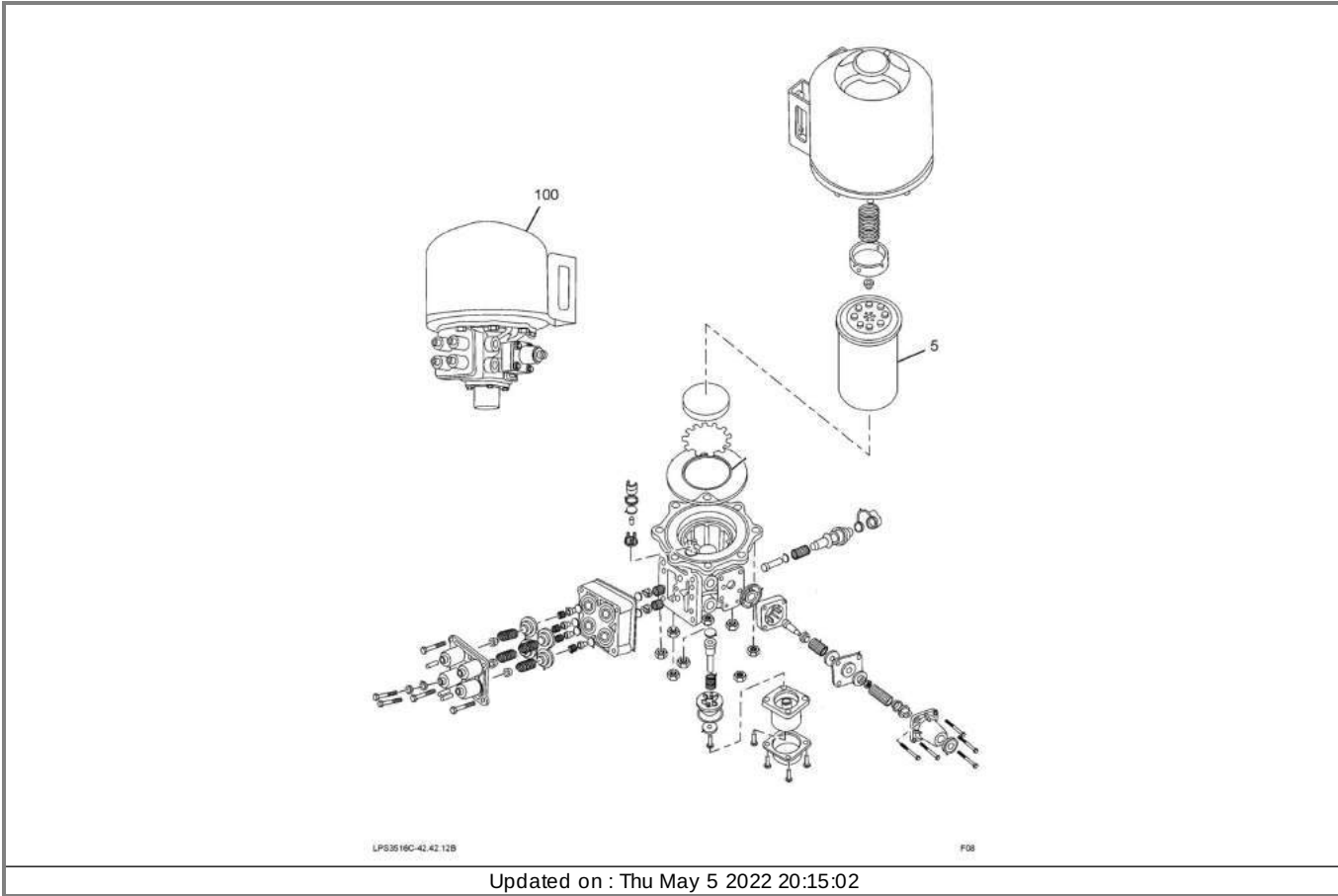
Updated on : Thu May 5 2022 20:15:02

VC No : 20820132000R Group : (42) BRAKES Table : (42.42.11-DRYING AND DISTRIBUTION UNIT (SCL))

Fig.	Part No	Part Description	Qty	Remarks
-	-	Screw Holder	1	
-	-	NG8 Retaining Clip	1	
-	-	NG8 Spring Element	1	
-	-	Exhaust Flap-Combined Unit	1	
-	-	combined Unit/Air Dryer	1	
-	-	Diaphragm	1	
-	-	Gasket	1	
-	-	O-RING	1	
-	-	Sealing Ring (Lever Con Valve)	6	
-	-	Spherical Valve	1	
-	-	Gasket	1	
-	-	Qspv Diaphragm	1	
-	-	Sealing ring	1	
-	-	O-RING	4	
-	-	Ng12 Spring Element	4	
-	-	NG12-RETAINING CLIP	4	
-	-	Compression Spring-Combined unit	1	
-	-	Valve Seat	1	
-	-	Valve	6	
-	-	Compression Spring-Qspv(New)	7	
-	-	Lip Seal	1	
-	-	Spring-Combined UnitHcv	1	
-	-	O-RING	4	
-	-	O-RING	4	
-	-	O-RING	1	



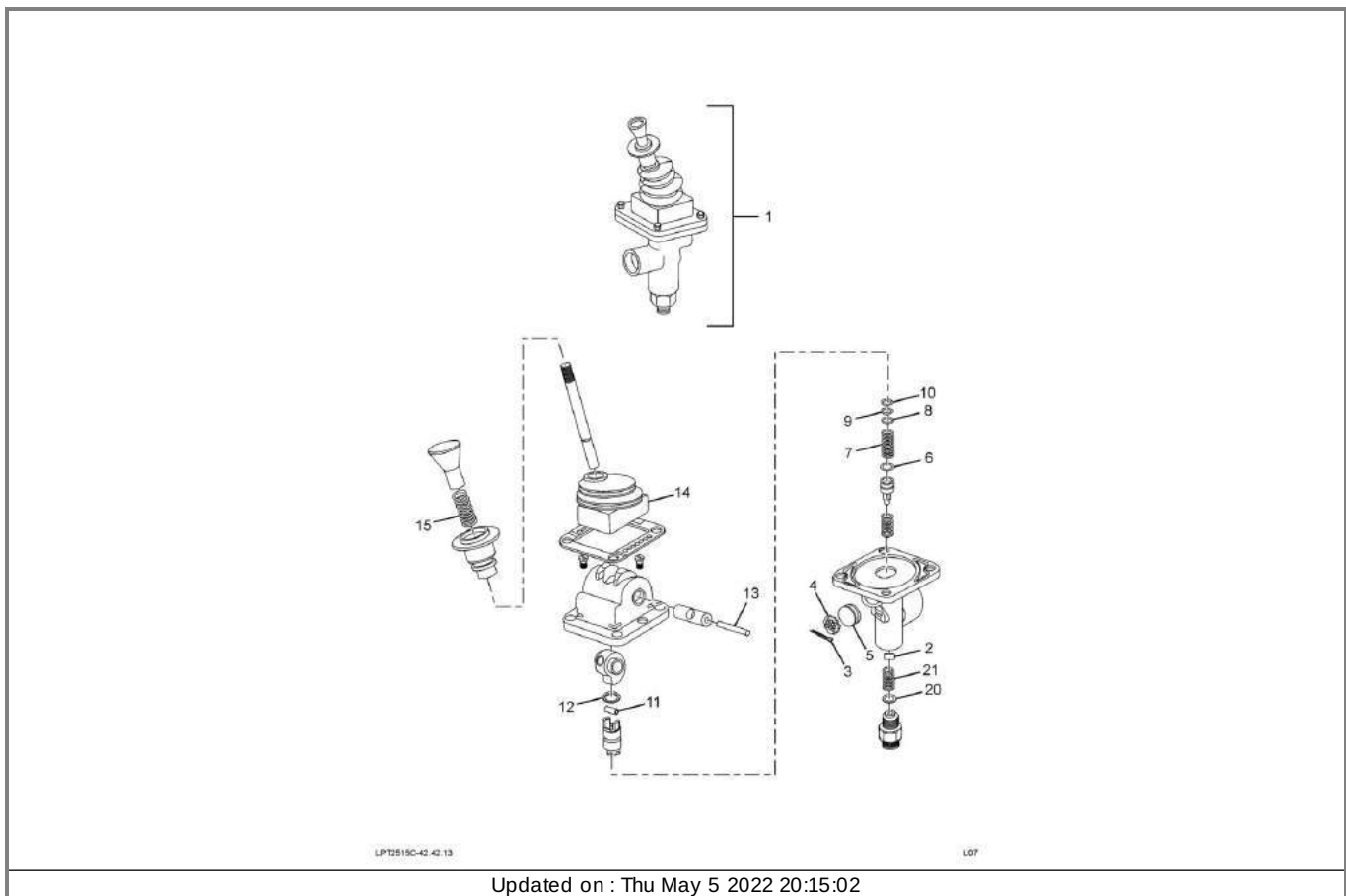
VC No : 20820132000R Group : (42) BRAKES Table : (42.42.11-DRYING AND DISTRIBUTION UNIT (SCL))				
Fig.	Part No	Part Description	Qty	Remarks
-	-	O-RING	1	
-	-	Grease Satchet(JED-003-MO)-OKS	2	
-	-	Washer	1	
-	-	Sealing Ring	1	
-	-	Sealing Ring-Ghcv (Al)	1	
-	-	100911150essure Test Connector	1	
-	-	Dust Cap-Pwoc/Combined Unit	1	
-	-	Filter	1	



Updated on : Thu May 5 2022 20:15:02

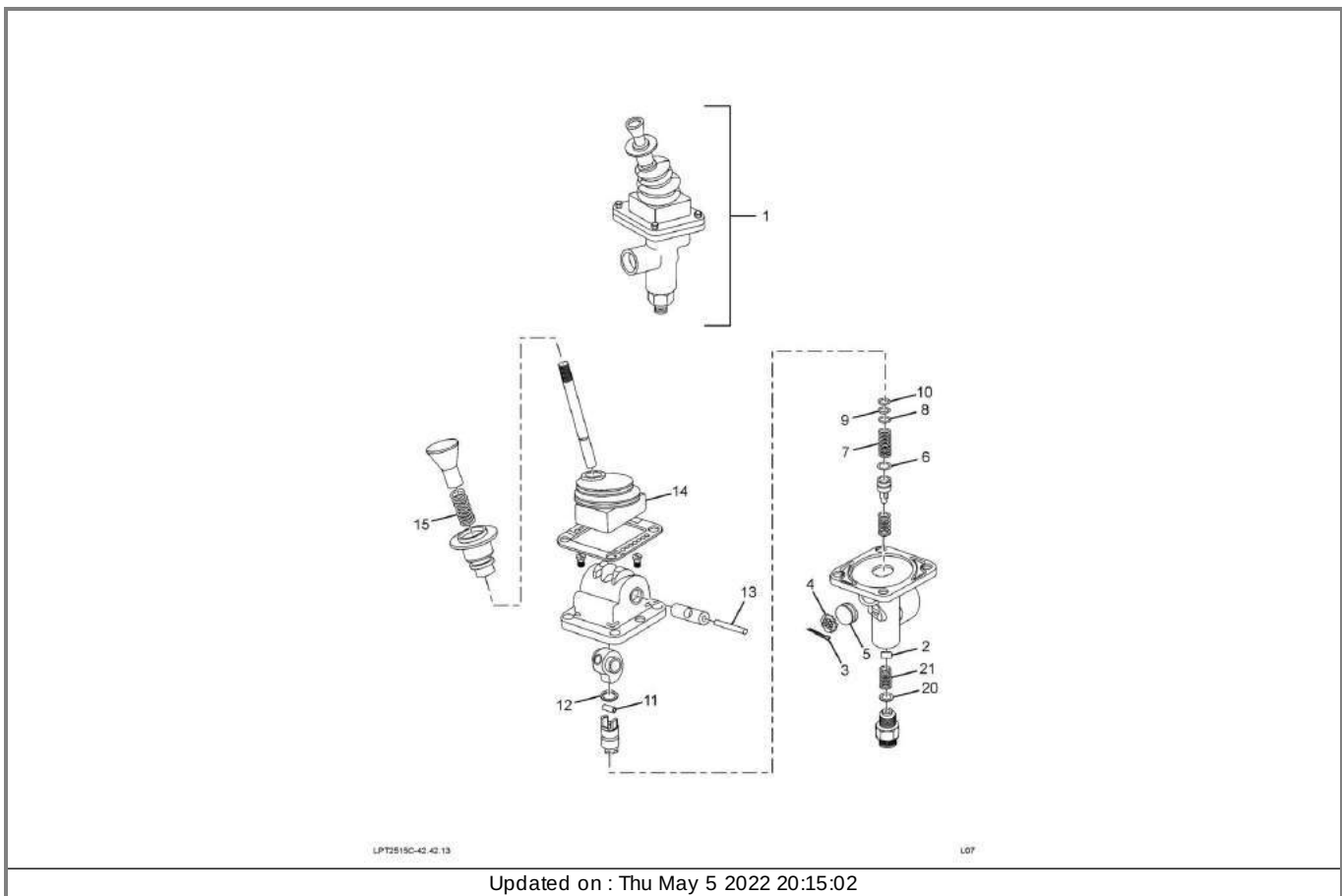
VC No : 20820132000R Group : (42) BRAKES Table : (42.42.13-HAND CONTROL VALVE(SCL))

Fig.	Part No	Part Description	Qty	Remarks
1	257343700153	GRADUATED HAND CONTROL VALVE -M/S SCL	1	FOR NON VOSS CONN UPTO SEP07
1	288443700105	GRADUATED HAND CONTROL VALVE(VOSS&LP SWT)-M/S SCL	1	FPR VOSS CONN FROM OCT07
	257342420001	REPAIR KIT GRADUATED HAND BRAKE VALVE,CONSISTS OF:	1	FOR NON VOSS TYPE PART NO. 257
2	-----	VALVE	1	
3	-----	SPLIT PIN	1	
4	-----	STRAINER PLATE	1	
5	-----	FILTER	1	
6	-----	SEALING RING	1	
7	-----	SPRING	1	
8	-----	SHIM	1	
9	-----	SHIM	1	
10	-----	SHIM	1	
11	-----	ROLLER	1	
12	-----	SEALING RING	1	
13	-----	TENSION PIN	1	
14	-----	GAITER	1	
15	-----	SPRING	1	
-	-----	GREASE SACHET	1	
	-----	REPAIR KIT GRADUATED HAND BRAKE VALVE,CONSISTS OF:	1	PART NO WILL BE INFORMED LATER
20	-----	SEALING RING	2	
21	-----	VALVE SPRING	2	
2	-----	VALVE	1	
5	-----	FILTER	1	
4	-----	STRAINER PLATE	1	
-	-----	WASHER	1	



Updated on : Thu May 5 2022 20:15:02

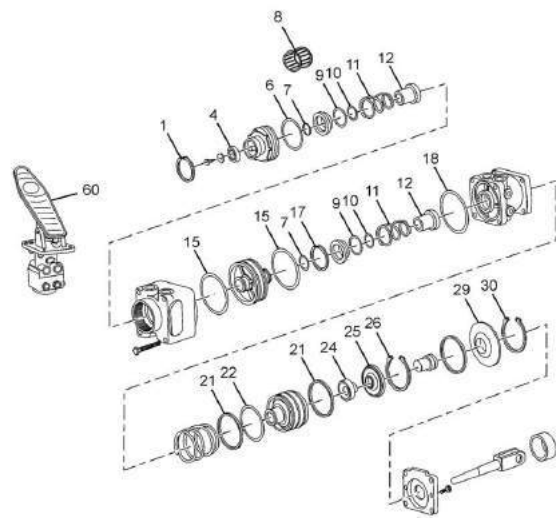
VC No : 20820132000R Group : (42) BRAKES Table : (42.42.13-HAND CONTROL VALVE(SCL))				
Fig.	Part No	Part Description	Qty	Remarks
8	-----	SHIM	1	
9	-----	SHIM	1	
10	-----	SHIM	1	
12	-----	SEALING RING	1	
13	-----	TENSION PIN	1	
14	-----	GAITER	1	
15	-----	SPRING	1	
-	-----	NG8 RETAINING CLIP	1	
-	-----	NG8 SPRING ELEMENT	1	
-	-----	NG12 RETAINING CLIP	1	
3	-----	SPLIT PIN	1	
-	-----	SPRING ELEMENT	1	
-	-----	P2C FITTING	1	
-	-----	GREASE SACHET	1	



Updated on : Thu May 5 2022 20:15:02

VC No : 20820132000R Group : (42) BRAKES Table : (42.42.15-DUAL BRAKE VALVE(SCL))

Fig.	Part No	Part Description	Qty	Remarks
60	278243700105	ASSY DUAL TREADLE VALVE RHD LPT2515TC	1	FOR NONVOSS CONNFOR SELECTION
60	278243700105	DUAL BRAKE VALVE WITH FILTER	1	FOR NONVOSS CONNFOR SELECTION
60	263243700109	DUAL BRAKE VAVLE VOSS BS1/2/3/4	1	FOR VOSS CONNFROM OCT07
	278243700107	REPAIR KIT DUAL BRAKE VALVE(SCL) CONSISTS OF :	1	FOR NON VOSS CONNECTION
1	-----	CIRCLIP	1	
4	-----	WASHER	1	
6	-----	SEALING RING	1	
7	-----	SEALING RING	2	
8	-----	INTEGRAL FILTER	1	
9	-----	SEALING RING	2	
10	-----	SEALING RING	2	
11	-----	SPRING	2	
12	-----	VALVE	2	
15	-----	SEALING RING	2	
17	-----	INTERNAL CIRCLIP	1	
18	-----	SEALING RING	1	
21	-----	GUIDE RING	2	
22	-----	SEALING RING	1	
24	-----	RUBBER SPRING	1	
25	-----	SPRING SEAT	1	
26	-----	CIRCLIP	1	
29	-----	BOOT	1	
30	-----	CIRCLIP	1	
-	-----	SPLIT PIN	4	
-	-----	BOOT	1	



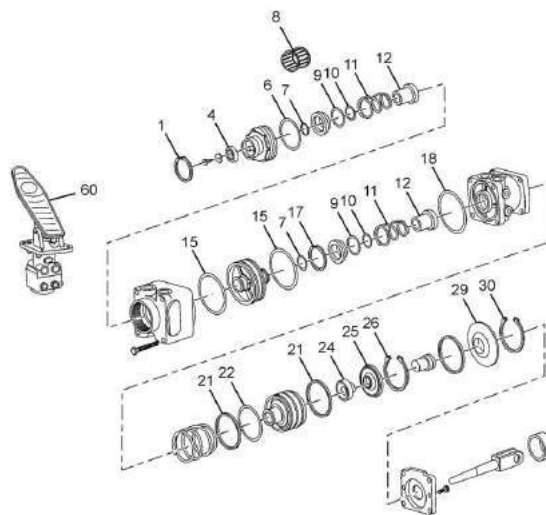
LPT2515C-42-42-14A

L07

Updated on : Thu May 5 2022 20:15:02

VC No : 20820132000R Group : (42) BRAKES Table : (42.42.15-DUAL BRAKE VALVE(SCL))

Fig.	Part No	Part Description	Qty	Remarks
-	-----	GREASE SACHET	2	
-	263243910168	REPAIR KIT-DUAL BREAK VALVE BS1/2/3/4/6	1	FOR VOSS TYPE BRAKE
-	-----	SILENCER COVER	1	
-	-----	MESH	1	
-	-----	SEALING RING	1	
6	-----	SEALING RING	2	
7	-----	SEALING RING	2	
8	-----	FILTER	2	
9	-----	SEALING RING	2	
11	-----	SPRING	2	
12	-----	VALVE	2	
15	-----	SEALING RING	2	
21	-----	GUIDE RING	2	
22	-----	SEALING RING	1	
24	-----	RUBBER SPRING	1	
25	-----	SPRING SEAT	1	
29	-----	BOOT	1	
30	-----	SPLIT PIN	4	
-	-----	BOOT	1	
-	-----	RETAINING CLIP	4	
-	-----	RETAINING CLIP	2	
-	-----	NG8 SPRING ELEMENT	2	
-	-----	SEALING RING	1	
-	-----	SPRING ELEMENT	4	
-	-----	P2C FITTINGS	1	



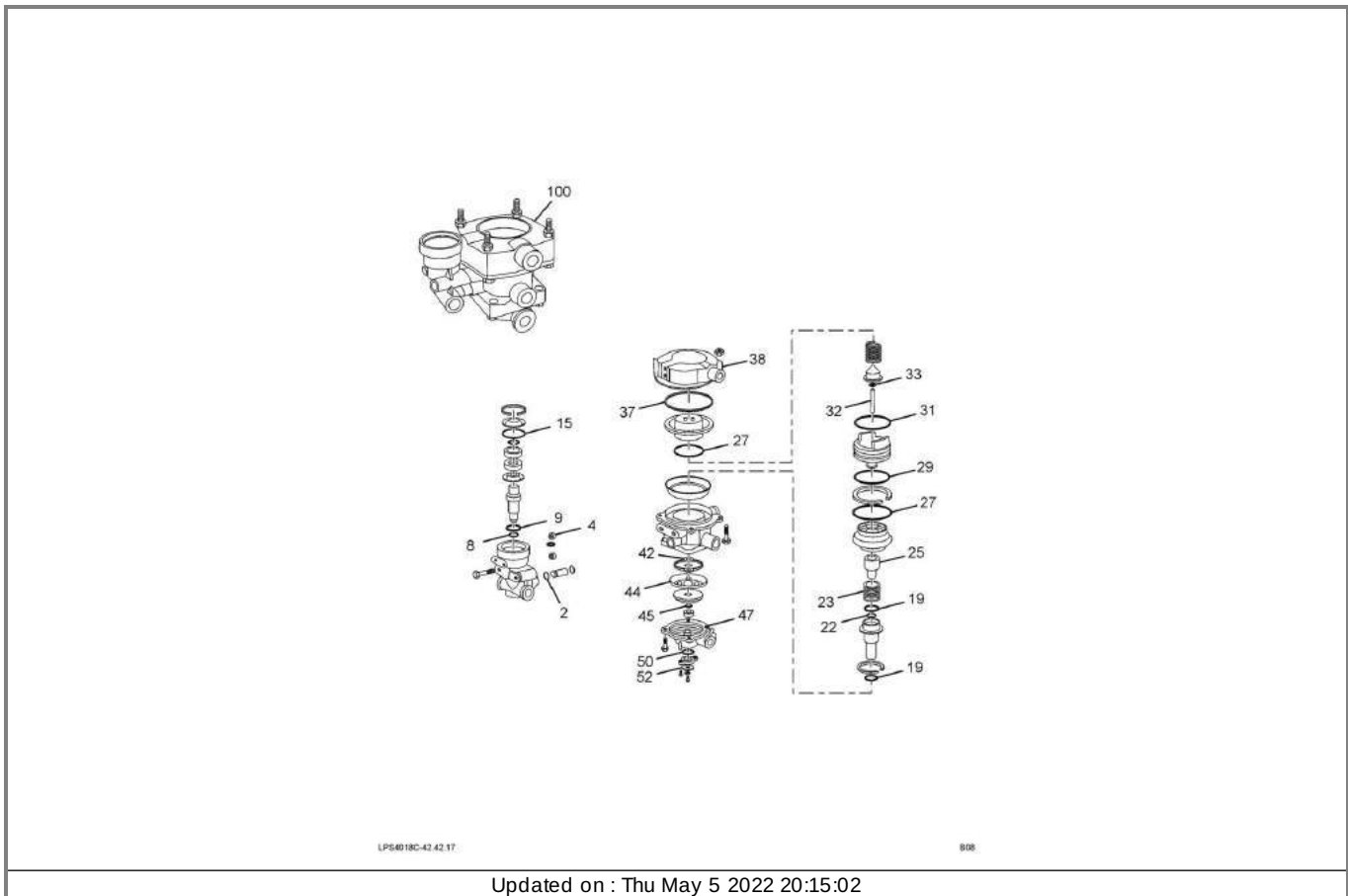
LPT2515C-42-42-14A

L07

Updated on : Thu May 5 2022 20:15:02

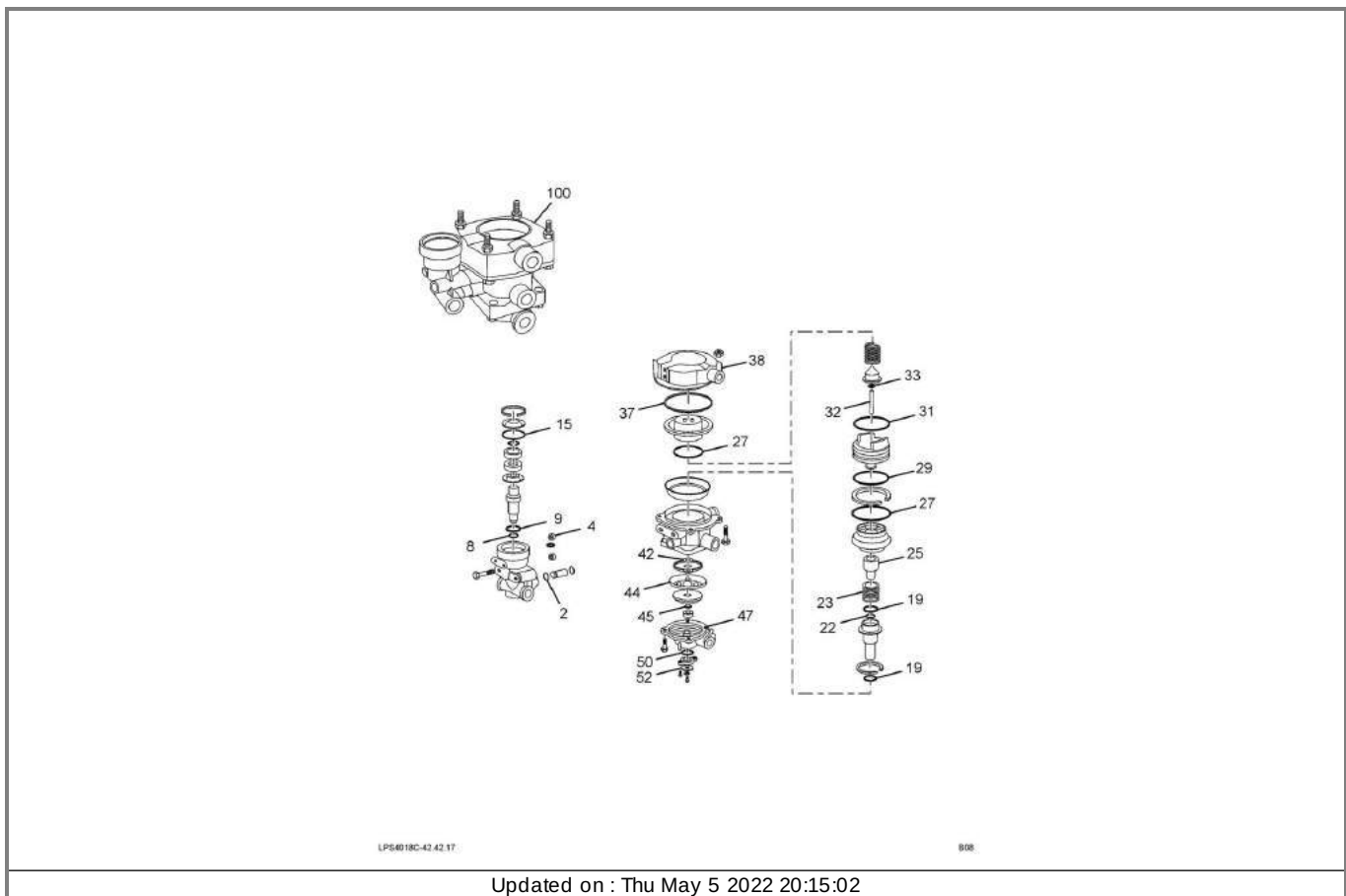
VC No : 20820132000R Group : (42) BRAKES Table : (42.42.17-TRAILER CONTROL VALVE)

Fig.	Part No	Part Description	Qty	Remarks
100	258843700103	TRAILER CONTROL VALVE	1	FOR NON VOSS CONNECTION UP TO
100	280943700130	TRAILER CONTROL VALVE BS1/2/3/4	1	FOR VOSS CONNECTION FROM OCT07
	257643790169	REPAIR KIT FOR TRAILER CONTROL VALVE CONSISTS OF :	1	FOR NON VOSS TYPE PART NO 2588
2	-----	O RING	2	
4	-----	SEALING RING	2	
8	-----	O RING	1	
9	-----	O RING	1	
15	-----	O RING	1	
19	-----	O RING	2	
22	-----	O RING	1	
23	-----	COMPRESSION SPRING	1	
25	-----	VALVE	1	
27	-----	O RING	2	
29	-----	O RING	1	
31	-----	O RING	1	
32	-----	ADJUSTING SCREW ASSY	1	
33	-----	O RING	1	
37	-----	O RING	1	
38	-----	O RING	1	
42	-----	SEALING RING	1	
44	-----	DIAPHRAGM	1	
45	-----	O RING	1	
47	-----	O RING	1	
50	-----	O RING	1	
52	-----	WASHER	1	



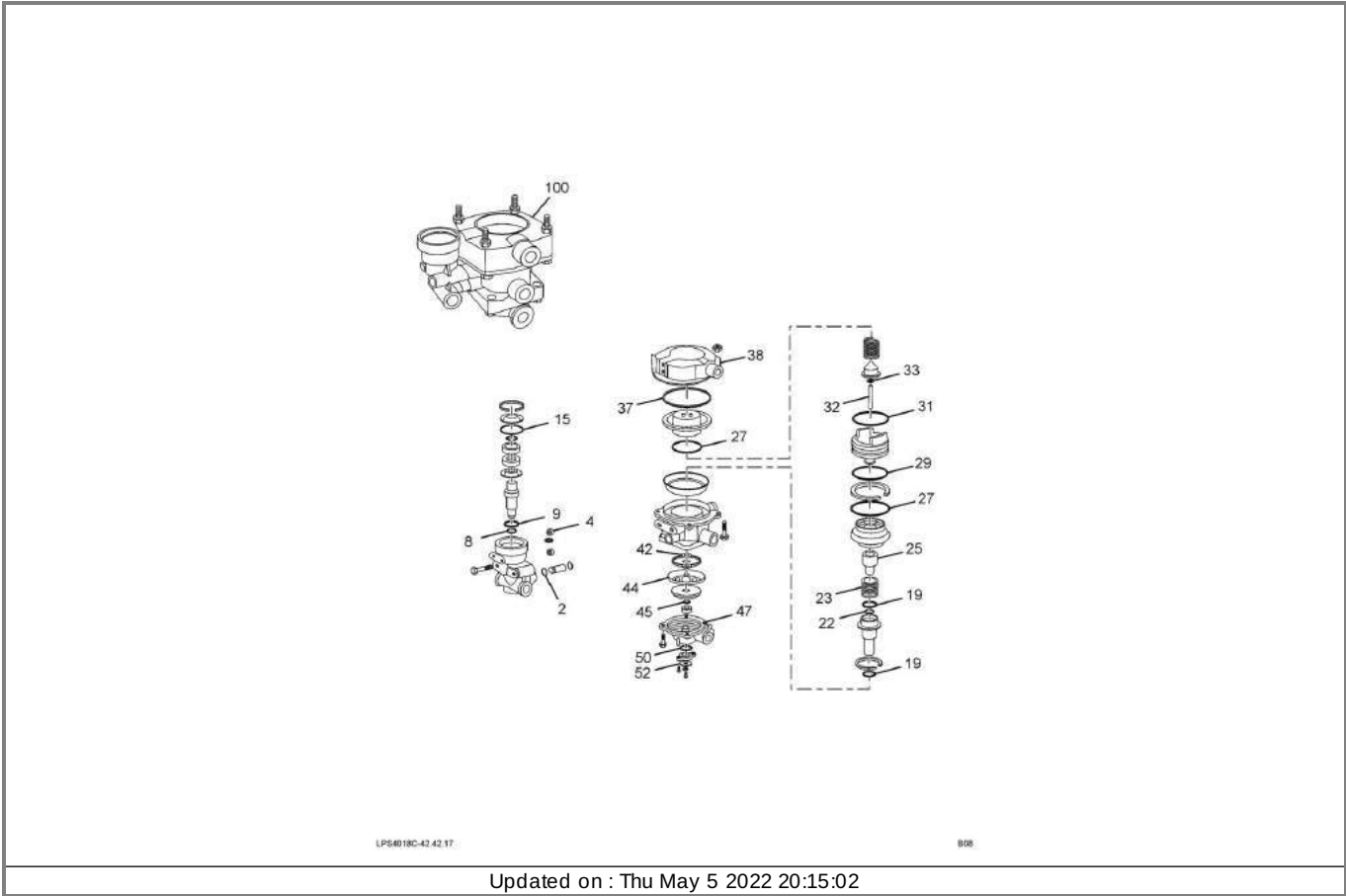
VC No : 20820132000R Group : (42) BRAKES Table : (42.42.17-TRAILER CONTROL VALVE)

Fig.	Part No	Part Description	Qty	Remarks
	280943700131	REPAIR KIT FOR TRAILER CONTROL VALVE CONSISTS OF :	1	FOR VOSS TYPE PART NO 28094370
2	-----	SEALING RING	2	
4	-----	SEALING RING	2	
8	-----	SEALING RING	1	
9	-----	SEALING RING	1	
15	-----	SEALING RING	1	
19	-----	SEALING RING	1	
22	-----	SEALING RING	2	
23	-----	COMPRESSION SPRING	1	
25	-----	VALVE	1	
27	-----	SEALING RING	2	
32	-----	ADJUSTING SCREW ASSY	1	
33	-----	SEALING RING	1	
37	-----	SEALING RING	1	
38	-----	SEALING RING	1	
42	-----	SEALING RING	1	
44	-----	DIAPHRAGM	1	
45	-----	SEALING RING	1	
47	-----	SEALING RING	1	
52	-----	WASHER	1	
50	-----	SEALING RING	2	
-	-----	GREASE SACHET	2	
-	-----	SEALING RING NG 8	3	
-	-----	RETAINING CLIP NG 8	3	
-	-----	SPRING ELEMENT NG 8	3	



Updated on : Thu May 5 2022 20:15:02

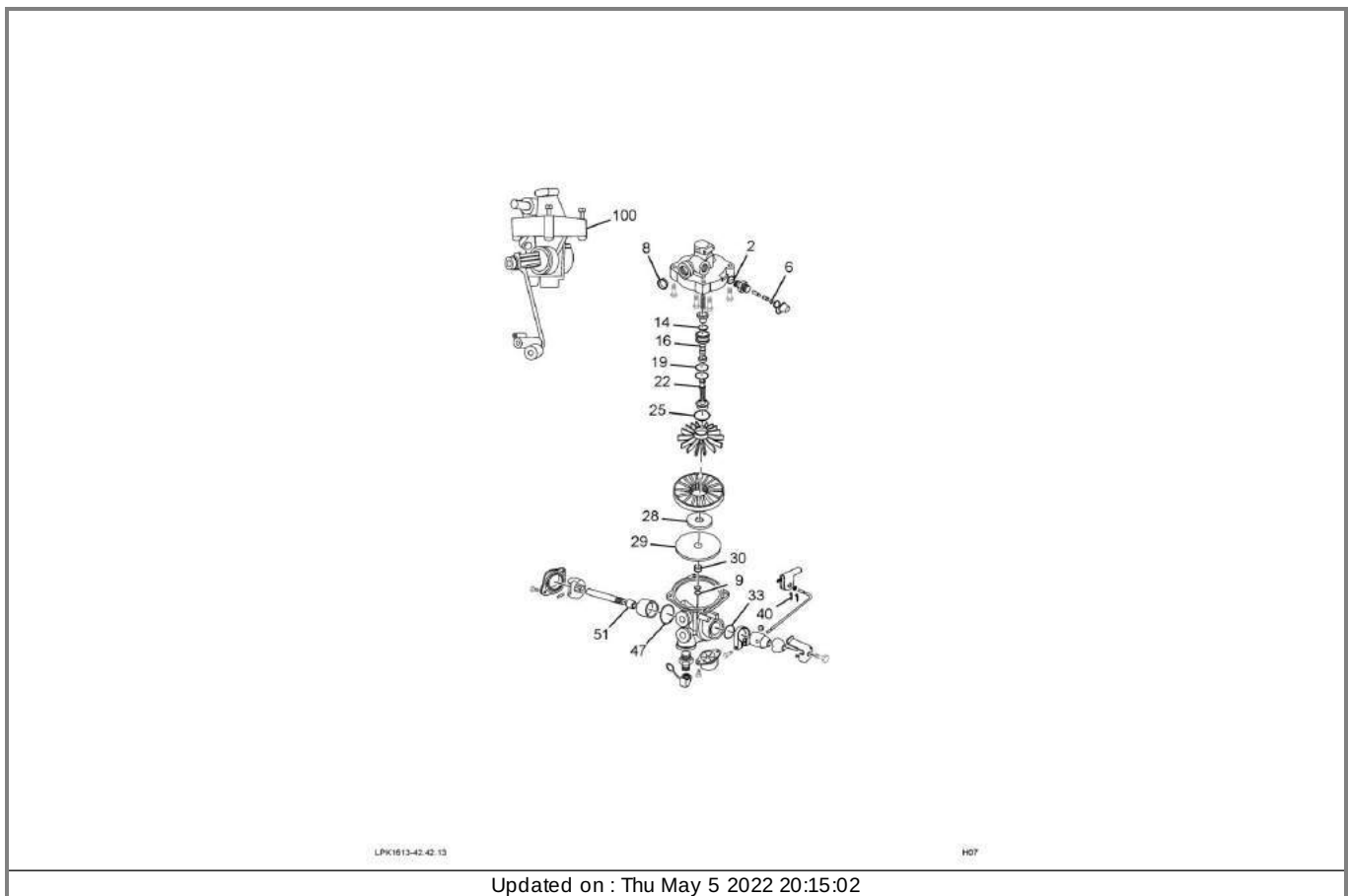
VC No : 20820132000R Group : (42) BRAKES Table : (42.42.17-TRAILER CONTROL VALVE)				
Fig.	Part No	Part Description	Qty	Remarks
-	-----	SEALING RING NG 12	3	
-	-----	RETAINING CLIP NG 12	3	
-	-----	SPRING ELEMENT NG 12	3	
-	-----	SEALING RING NG 12	3	
-	-----	SEALING RING NG 12	3	
-	-----	SEALING RING NG 8	3	
-	-----	SEALING RING NG 8	3	



Updated on : Thu May 5 2022 20:15:02

VC No : 20820132000R Group : (42) BRAKES Table : (42.42.18-AUTOMATIC LOAD SENSING VALVE)

Fig.	Part No	Part Description	Qty	Remarks
100	278343700101	AUTOMATIC LOAD SENSING VALVE(NON-VOSS)	1	FOR NON VOSS CONNECTION UP TO
100	280943700128	AUTOMATIC LOAD SENSING VALVE(VOSS)	1	FOR VOSS CONNECTION FROM OCT07
	278243700170	REPAIR KIT FOR AUTOMATIC LOAD SENSING VALVE,CONSISTS OF:	1	FOR NON VOSS TYPE PART NO 2783
2	-----	SEALING RING	2	
6	-----	SEALING RING	2	
8	-----	STRAINER	1	
9	-----	SEALING RING	1	
14	-----	SEALING RING	1	
16	-----	BONDED VALVE	1	
19	-----	SEALING RING	1	
22	-----	BONDED VALVE	1	
25	-----	SEALING RING	1	
28	-----	DIAPHRAGM DISC	1	
29	-----	DIAPHRAGM	1	
30	-----	SEAL	1	
33	-----	DUST SEAL	1	
40	-----	SPLIT PIN	2	
47	-----	O-RING	1	
51	-----	SPLIT BUSH	1	
-	-----	GREASE SACHET	2	
	280943700129	REPAIR KIT FOR AUTOMATIC LOAD SENSING VALVE,CONSISTS OF:		FOR VOSS TYPE PART NO 28094370
2	-----	SEALING RING	2	
6	-----	SEALING RING	2	
9	-----	SEALING RING	1	
14	-----	SEALING RING	1	



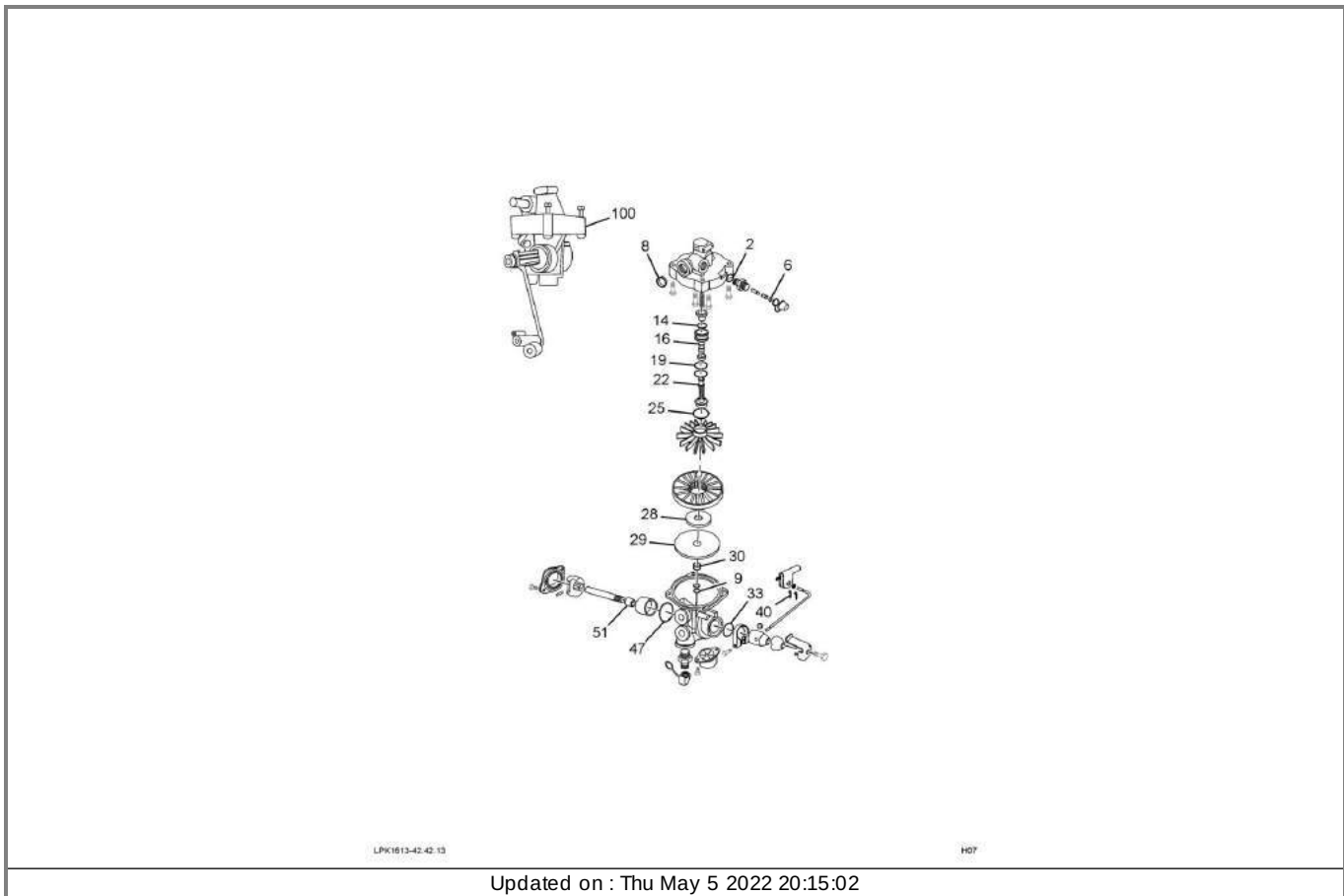
LPK1813-42-42-13

H07

Updated on : Thu May 5 2022 20:15:02

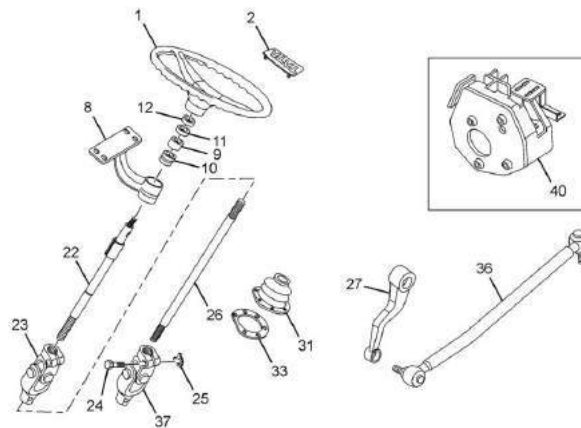
VC No : 20820132000R Group : (42) BRAKES Table : (42.42.18-AUTOMATIC LOAD SENSING VALVE)

Fig.	Part No	Part Description	Qty	Remarks
16	-----	BONDED VALVE	1	
19	-----	SEALING RING	1	
22	-----	BONDED VALVE	1	
-	-----	RETAING CLIP	1	
25	-----	SEALING RING	1	
28	-----	DIAPHRAGM DISC	1	
29	-----	DIAPHRAGM	1	
30	-----	SEAL	1	
33	-----	DUST SEAL	1	
40	-----	SPLIT PIN	2	
47	-----	SEALING RING	2	
51	-----	SPLIT BUSH	1	
-	-----	SEALING RING NG12	1	
-	-----	SEALING RING NG12	1	
-	-----	SEALING RING NG12	1	
-	-----	SPRING ELEMENT NG8	1	
-	-----	GREASE SACHET	2	



VC No : 20820132000R Group : (46) STEERING Table : (46.46.01A-STEERING LINKAGES)

Fig.	Part No	Part Description	Qty	Remarks
1	257346400101	ASSY STEERING WHEEL 550DIA	1	
2	257346400105	ASSY COVER	1	
8	257646100134	ASSY STG.COLUMN SUPPORT	1	
9	3124621150	BUSH FOR STEERING ROD	2	
10	3214620165	RETAINING RING	2	
11	3224620023	COVER	2	
12	3424620075	WASHER	2	
22	257646207913	STEERING SPINDLE (TOP)	1	
	257446206301	CAM	1	
23	257346200106	UNIVERSAL JOINT (STEERING) BS1/2/3/4	1	
24	3219900401	HEX SCREW	4	
25	12580601055	TAB WASHER 10.5	4	
26	284146207901	STEERING SPINDLE - BOTTOM (ZF)	1	FOR ZF POWER STEERING
26	257546207921	STEERING SPINDLE - BOTTOM (RANE & CHINA)	1	FOR RANE & CHINA POWER STEERIN
27	257646305106	PITMAN ARM	1	
31	257646106304	RUBBER BELLOW	1	
33	257646108206	CLAMPING RING	1	
36	257646000115	ASSY. DRAG LINK RHD BS1/2/3	1	
36	284646000125	ASSY. DRAG LINK-RHD(OFFER DRG.) BS1- 4	1	SINGLE CLAMP
-	-	REPAIR KIT FOR SINGLE CLAMP DRAG LINK		
-	277846800121	REPAIR KIT-DRAG LINK BS1/2/3/4	1	FOR RANE MAKE
-	216346990105	THREADED END REPAIR KIT (Threaded End)	1	for RANE MAKE
-	284646900104	BALL JOINT ASSY		for TALBROS MAKE
37	257346200106	UNIVERSAL JOINT (STEERING) BS1/2/3/4	1	FOR ZF POWER STEERING
37	206746600105	ASSY. UNIVERSAL JOINT BS1/2/3/4	1	FOR RANE POWER STEERING



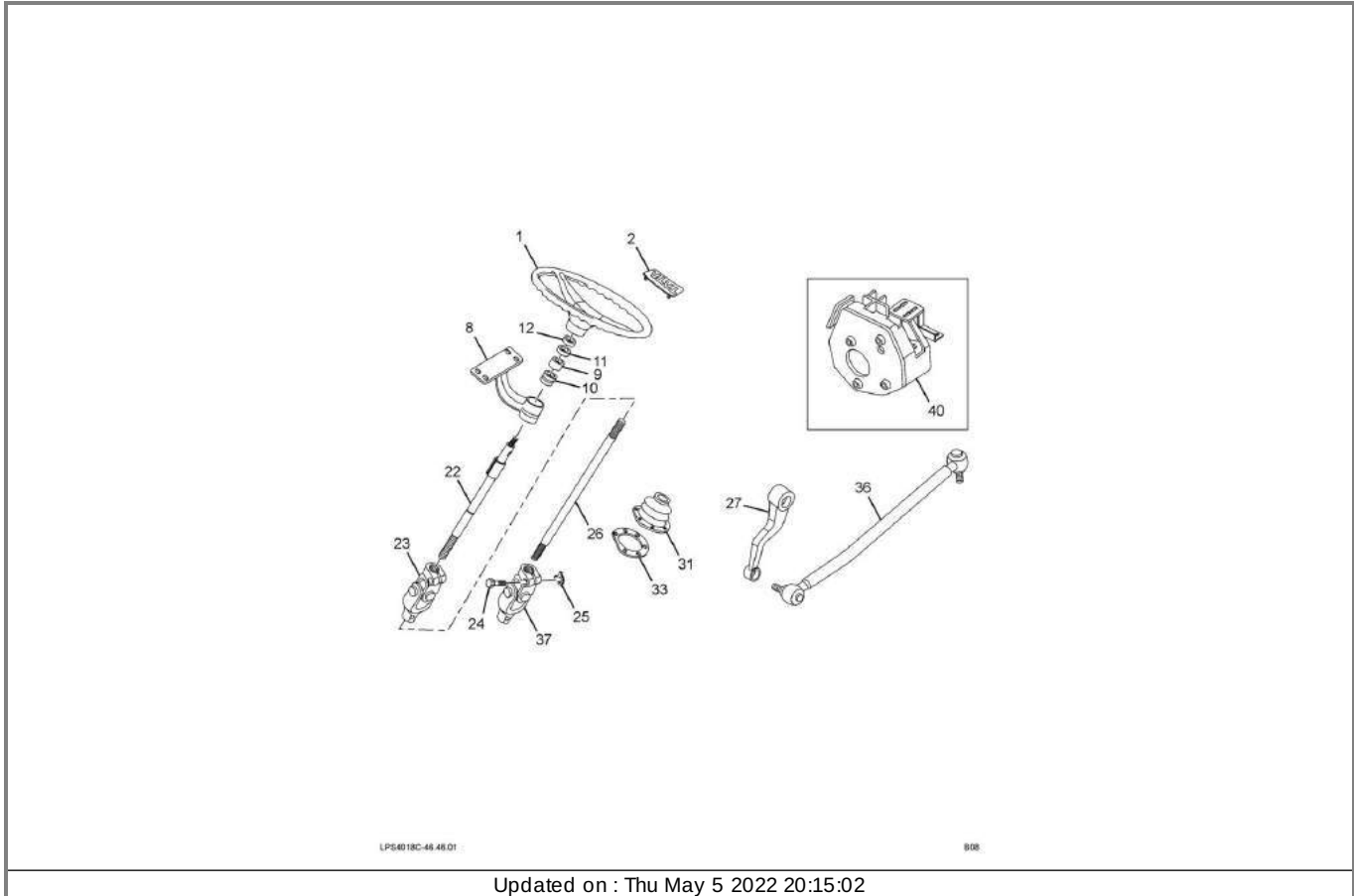
LPS4018C-46.46.01

808

Updated on : Thu May 5 2022 20:15:02

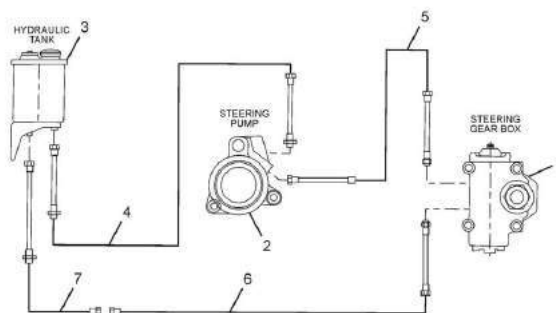
VC No : 20820132000R Group : (46) STEERING Table : (46.46.01A-STEERING LINKAGES)

Fig.	Part No	Part Description	Qty	Remarks
37	206746600105	ASSY. UNIVERSAL JOINT BS1/2/3/4	1	FPR CHINA POWER STEERING
40	257646100132	ASSY. STG. GEAR BOX W/MTG BKT RH BS1/2/3	1	
	257346107501	PROTECTIVE COVER	1	



VC No : 20820132000R Group : (46) STEERING Table : (46.46.02A-STEERING AGGREGATES AND PIPELINES)

Fig.	Part No	Part Description	Qty	Remarks
1	261846600102	ASSY. PWR STG GEAR BOX -PR VLV BS1/2/3/4	1	RANE,CHINA&ZF STRG ARE IN SELE
-	219046100116	INTERMEDIATE SHAFT ASSY 20MM	1	Pl. refer attached photograph.
1	277046000109	ASSY POWER STEERING GEAR BOX(CHINA STEERING SYSTEM)	1	RANE,CHINA&ZF STRG ARE IN SELE
1	257346100144	ASSY. STEERING GEAR BOX BS1/2/3/4	1	RANE,CHINA&ZF STRG ARE IN SELE
2	275446600101	ASSLY.POWER STEERING PUMP BS1/2/3/4	1	RANE,CHINA&ZF STRG ARE IN SELE
2	277046000110	POWER STEERING PUMP WITH FITTINGS (CHINA STG SYS.)	1	RANE,CHINA&ZF STRG ARE IN SELE
2	275446600103	ASSY. VANE PUMP BS1/2/3/4	1	RANE,CHINA&ZF STRG ARE IN SELE
3	503046600105	ASSY. STG. PLASTIC RESERVOIR BS1/2/3/4	1	RANE,CHINA&ZF STRG ARE IN SELE
	503046600107	KIT-FILTER BS1/2/3/4/6		KIT
-		FILTER ASSY		
-		SEALING RING		
-		SEALING RING		
-		VALVE SEAT		
-		SPRING		
-		STEAM		KIT
	503046990103	KIT-CAP		
-		BREATHER RUBBER		
-		STICKER-LOCK RANGE		
-		TIE STRAP		
-		STICKER-LOCK RANGE		
-		CAP		
	503046990104	KIT-SHELL		KIT
-		SHELL		
-		STRAINER-SUCTION		
-		PROTECTIVE CAP		



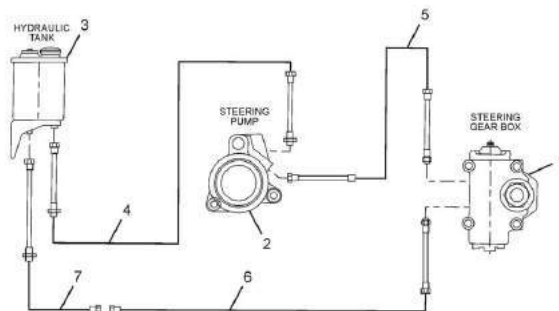
LPS4018C-46.46.02

808

Updated on : Thu May 5 2022 20:15:02

VC No : 20820132000R Group : (46) STEERING Table : (46.46.02A-STEERING AGGREGATES AND PIPELINES)

Fig.	Part No	Part Description	Qty	Remarks
-		STICKER-LOCK RANGE		
-		STICKER		
-		STICKER-LOCK RANGE		
-		PROTECTIVE CAP		
3	217146000108	ASSY STEERING TANK (CHINA STEERING SYSTEM)	1	RANE,CHINA&ZF STRG ARE IN SELE
3	278244400101	ASSY. HYDRAULIC STG. TANK-PLASTIC BS1- 4	1	RANE,CHINA&ZF STRG ARE IN SELE
3	278244400101	ASSY. HYDRAULIC STG. TANK-PLASTIC BS1- 4	1	RANE,CHINA&ZF STRG ARE IN SELE
	275161100107	ASSY BRACKET (POWER STRG TANK MTG)	1	
	275546604601	COUPLING	1	
	208046150103	KIT ASSY P/STG.PIPE LINES & CONNECTOR,	1	FOR ZF P/STRG
	-----	CONSISTS OF:		
4	208046800105	SUCTION LINE HOSE ASSY	1	FOR ZF P/STRG
5	208046800109	PRESSURE LINE HOSE ASSY	1	FOR ZF P/STRG
6	208046800111	RETURN LINE HOSE ASSY -FROM STRG GEAR BOX	1	FOR ZF P/STRG
7	208046800106	RETURN HOSE ASSY-TO HYD TANK	1	FOR ZF P/STRG
	207746800158	ASSY MALE ADAPTOR	1	FOR ZF P/STRG
	207746800159	ASSY MALE ADAPTOR	2	FOR ZF P/STRG
	207746800160	ASSY MALE ADAPTOR	1	FOR ZF P/STRG
-	-	KIT ASSY PIPES(RANE STRG SYSTEM)	1	NOT SERVICEABLE
	-----	CONSISTS OF:		
4	207746800170	SUCTION LINE HOSE ASSY	1	FOR RANE AND CHINA P/STRG
5	207746800171	PRESSURE LINE HOSE ASSY	1	FOR RANE AND CHINA P/STRG
6	207746800172	RETURN LINE HOSE ASSY	1	FOR RANE AND CHINA P/STRG
7	207746800173	RETURN LINE HOSE ASSY	1	FOR RANE AND CHINA P/STRG
	207746800158	ASSY MALE ADAPTOR	1	FOR RANE AND CHINA P/STRG



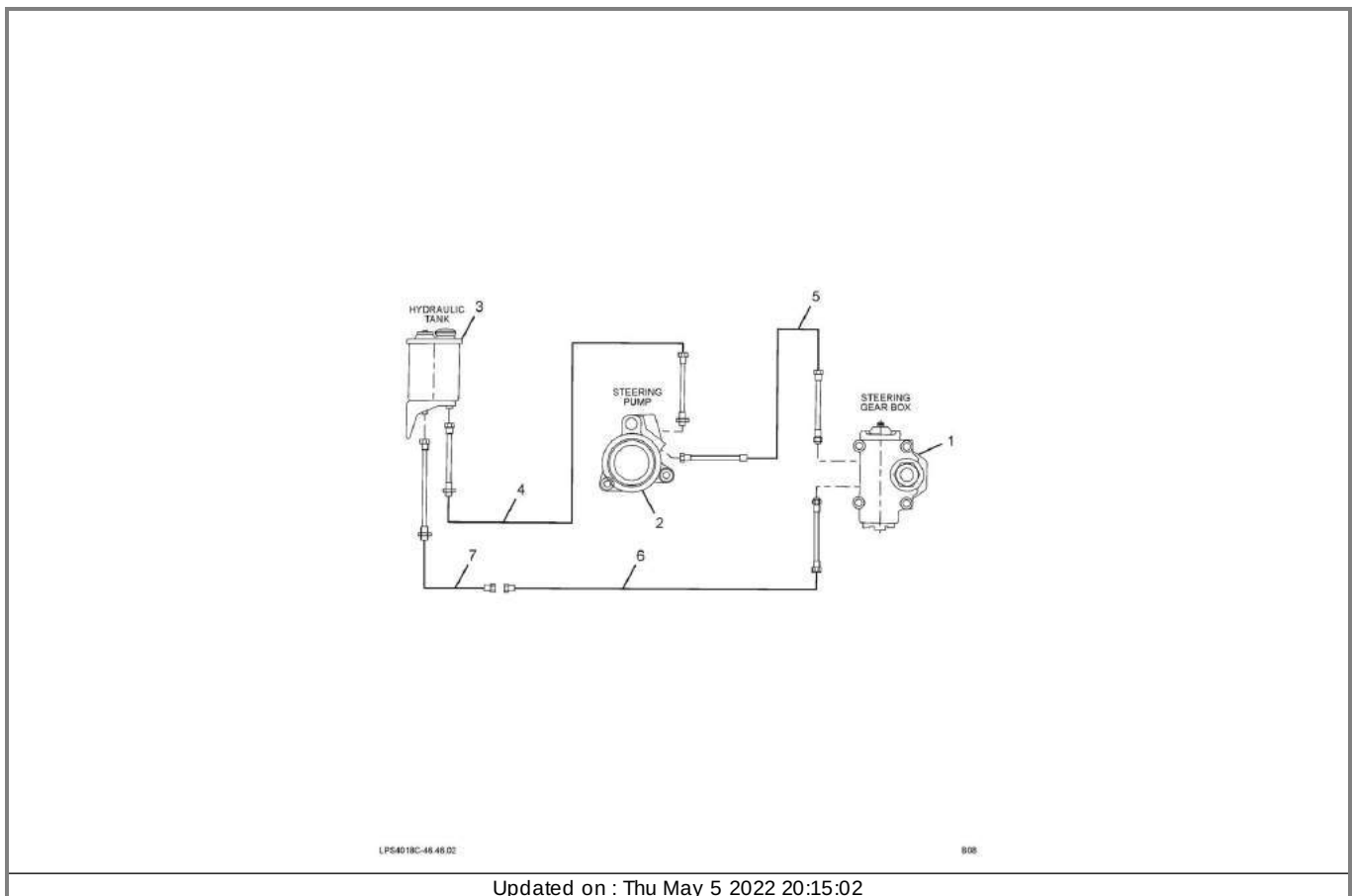
LPS4018C-46.46.02

808

Updated on : Thu May 5 2022 20:15:02

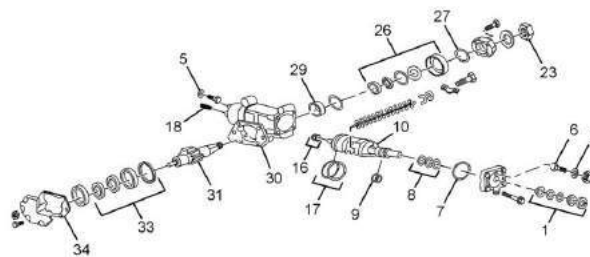
VC No : 20820132000R Group : (46) STEERING Table : (46.46.02A-STEERING AGGREGATES AND PIPELINES)

Fig.	Part No	Part Description	Qty	Remarks
	207746800159	ASSY MALE ADAPTOR	2	FOR RANE AND CHINA P/STRG
	207746800160	ASSY MALE ADAPTOR	1	FOR RANE AND CHINA P/STRG



VC No : 20820132000R Group : (46) STEERING Table : (46.46.03-STEERING GEAR BOX(RANE))

Fig.	Part No	Part Description	Qty	Remarks
	261846600102	ASSY. PWR STG GEAR BOX -PR VLV BS1/2/3/4	1	
1	257346200115	INPUT SHAFT SEAL KIT CONSISTS OF :	1	
	-----	SEAL PROTECTOR	1	
	-----	SEAL	1	
	-----	RETAINING RING (INTERNAL)	1	
	-----	BACK UP WASHER	1	
6	257346208003	ADJ. SCREW POPPET V / HSG.	1	
8	257346203103	THRUST BEARING KIT CONSISTS OF :	1	
	-----	THRUST WASHER	1	
	-----	NEEDLE THRUST BEARING	1	
	-----	THRUST WASHER SPIGOTTED	1	
9	257346200116	SEAL KIT, VALVE SLEEVE CONSISTS OF :	1	
	-----	SEAL RING	2	
	-----	O RING	2	
10	257346200117	WORM RACK ASSY RHD	1	
16	257346200120	SEAL KIT WORM SHAFT CONSISTS OF :	1	
	-----	O RING	1	
	-----	SEAL RING	1	
17	257346200121	SEAL KIT PISTON RACK CONSISTS OF :	1	
	-----	O RING	1	
	-----	SEAL RING	1	
18	257346208005	ADJ. SCREW THRUST	1	
23	257346206504	NUT DROP ARM	1	
26	284646990195	KIT-SEAL	1	
	-----	SEAL PROTECTOR	1	



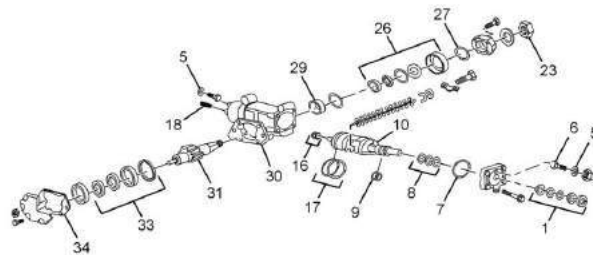
LPK2516C-46-46-04

P07

Updated on : Thu May 5 2022 20:15:02

VC No : 20820132000R Group : (46) STEERING Table : (46.46.03-STEERING GEAR BOX(RANE))

Fig.	Part No	Part Description	Qty	Remarks
	-----	TRUNNION COVER	1	
	-----	BACK UP WASHER	1	
	-----	SEAL RING ASSY	1	
27	257346207705	O RING	1	
29	257346203002	ROLLER BRG. HSG. COVER	2	
30	257346203710	HOUSING	1	
31	257346200123	SECTOR SHAFT ASSY	1	
33	257346200124	SEAL KIT, SIDE COVER	1	
	-----	RETAINING RING (INTERNAL)	1	
	-----	SEAL RING ASSY	1	
	-----	BACK UP WASHER	1	
	-----	BACK UP WASHER	1	
34	257346205301	SIDE COVER GASKET	1	
	257346200126	MAJOR SEAL KIT CONSISTS OF :	1	
1	-----	INPUT SHAFT SEAL KIT	1	
5	-----	SEALING WASHER, POPPET ADJ.	2	
7	-----	O RING V HSG.	1	
9	-----	SEAL KIT, VALVE SLEEVE	1	
16	-----	SEAL KIT, WORM SHAFT	1	
17	-----	SEAL KIT, PISTON RACK	1	
	-----	SEALING WASHER	1	
26	-----	SEAL KIT, TRUNNION COVER	1	
27	-----	O RING	1	
33	-----	SEAL KIT, SIDE COVER	1	
34	-----	SIDE COVER GASKET	1	

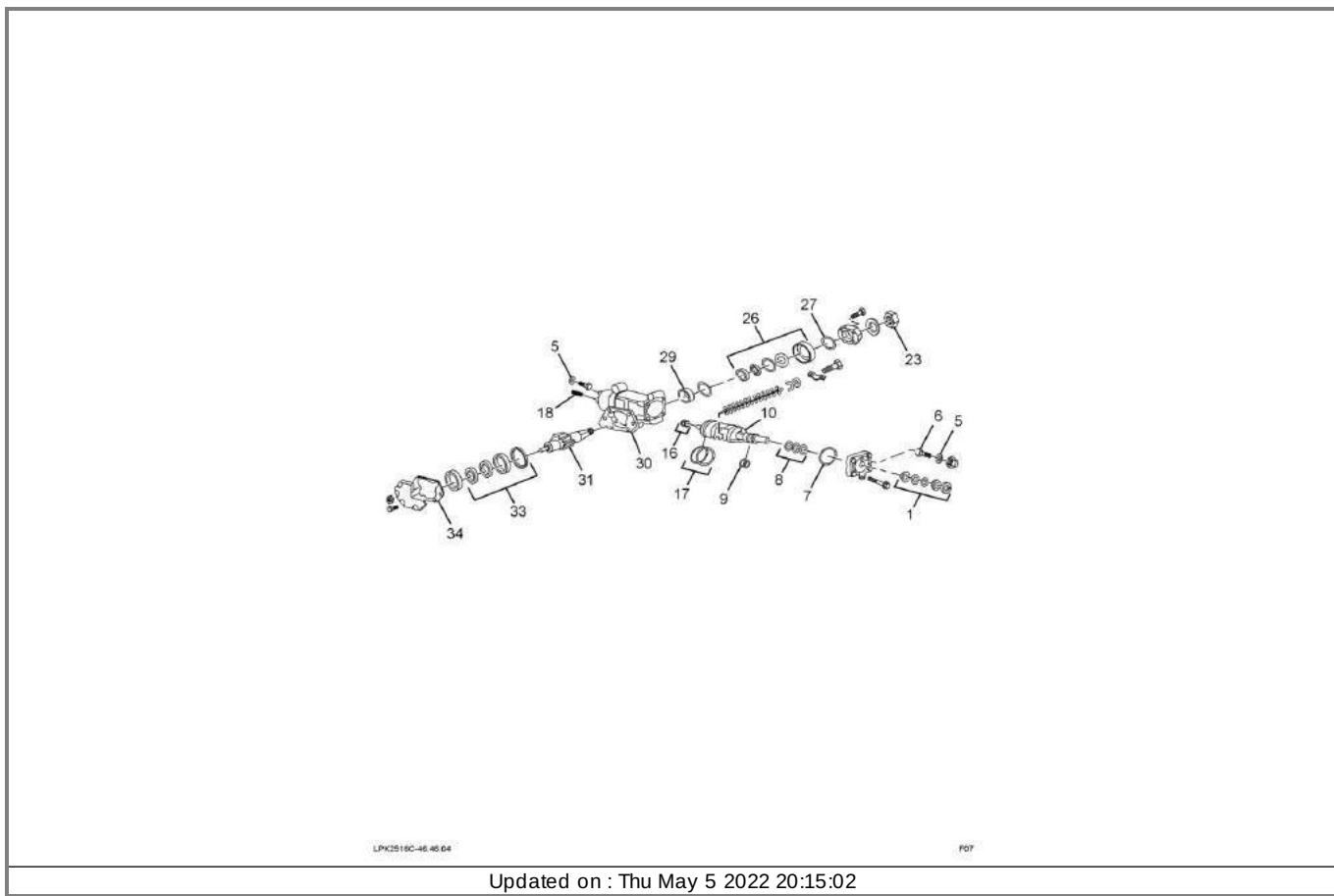


LPK2516C-46-46-04

P07

Updated on : Thu May 5 2022 20:15:02

VC No : 20820132000R Group : (46) STEERING Table : (46.46.03-STEERING GEAR BOX(RANE))				
Fig.	Part No	Part Description	Qty	Remarks
	-----	PLUG	1	
	-----	O RING	1	



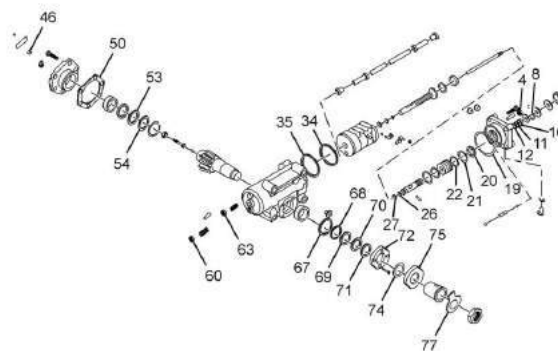
LPK2516C-46-46 64

F07

Updated on : Thu May 5 2022 20:15:02

VC No : 20820132000R Group : (46) STEERING Table : (46.46.04-STEERING GEAR BOX(CHINA STEERING SYSTEM))

Fig.	Part No	Part Description	Qty	Remarks
	277046000109	ASSY POWER STEERING GEAR BOX (CHINA)	1	
	-----	LOOSE PARTS OF POWER STEERING GEAR BOX		
	278246600112	HOUSING ASSY	1	SHOWN AS FIG NO. 51, 65, 68 &
	278246600113	VALVE HOUSING ASSY	1	SHOWN AS FIG NO. 4, 5, 8 TO 16
	278246600114	SECTOR SHAFT COVER ASSY	1	SHOWN AS FIG NO. 70 TO 72 IN T
	278246600115	VALVE SLEEVE ASSY	1	SHOWN AS FIG NO. 21 TO 23 IN T
	278246600116	INPUT SHAFT AND TORSION BAR ASSY	1	SHOWN AS FIG NO. 24 TO 28 IN T
	278246600117	WORM SHAFT ASSY	1	SHOWN AS FIG NO. 26 TO 28 & 31
	278246600118	PISTON ASSY	1	SHOWN AS FIG NO. 33 TO 35 ,40
	278246600119	SECTOR SHAFT ASSY	1	SHOWN AS FIG NO. 56 TO 59 IN T
	278246600120	HOUSING COVER ASSY	1	SHOWN AS FIG NO. 49, 51 TO 55
	278246600124	WORM SHAFT AND PISTON ASSY	1	
	-----	KITS		
	278246600106	SEALING KIT FOR POWER STEERING GEAR BOX CONSISTS OF:	1	
4	-----	SEALING NUT	1	
10	-----	OIL SEAL ASSY	1	
11	-----	SEALING RING FOR INPUT SHAFT	1	
12	-----	O RING FOR INPUT SHAFT	1	
19	-----	RECTANGULAR OIL SEAL FOR VALVE HOUSING	1	
20	-----	THRUST NEEDLE ROLLER BEARING	1	
21	-----	SEALING RING FOR VALVE SLEEVE	2	
22	-----	O RING FOR VALVE SLEEVE	2	
26	-----	O RING FOR WORM SHAFT	2	
27	-----	SEALING RING FOR WORM SHAFT	2	
34	-----	O RING FOR RACK PISTON	1	



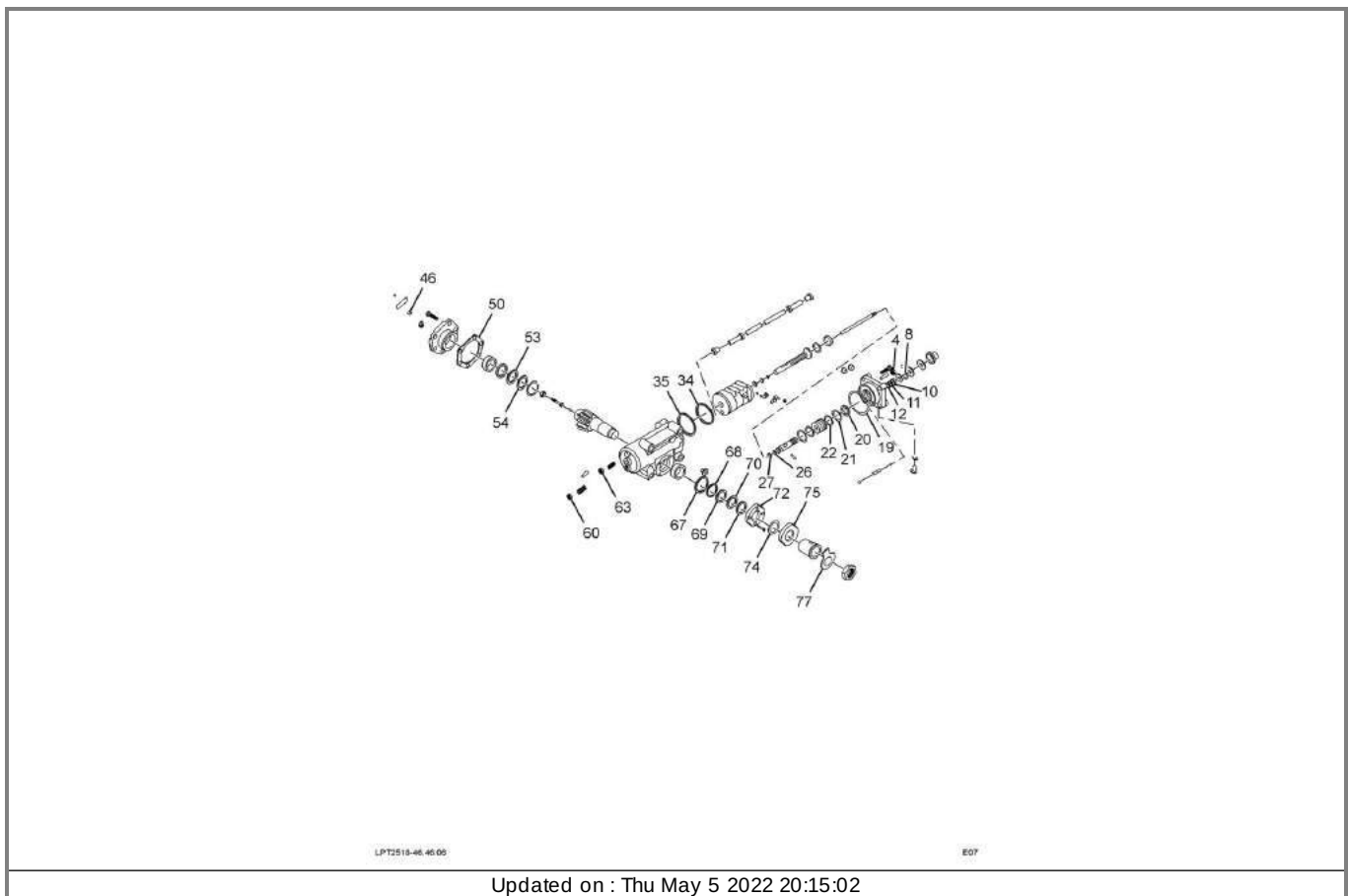
LPT2518-46-46.04

E07

Updated on : Thu May 5 2022 20:15:02

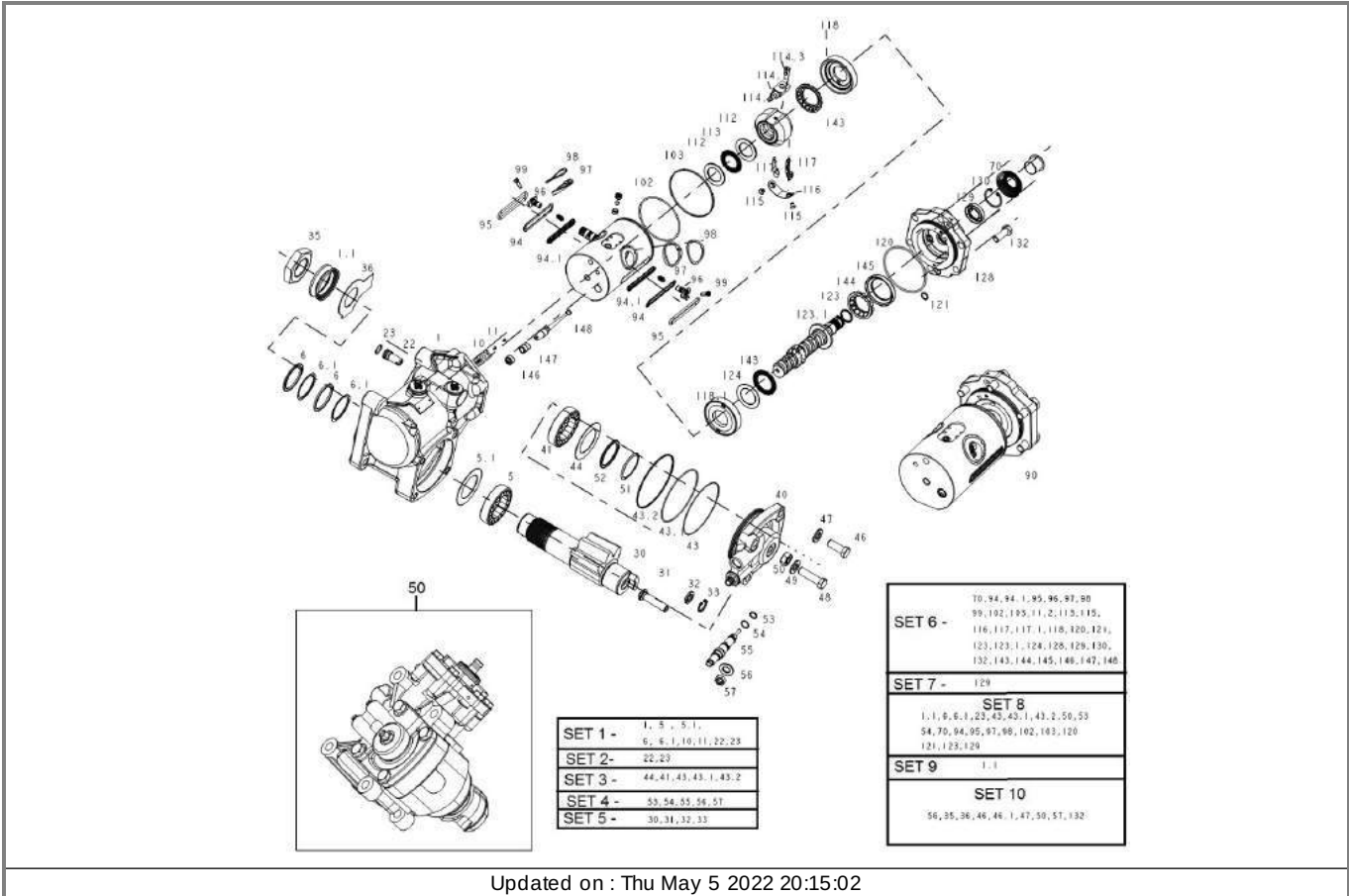
VC No : 20820132000R Group : (46) STEERING Table : (46.46.04-STEERING GEAR BOX(CHINA STEERING SYSTEM))

Fig.	Part No	Part Description	Qty	Remarks
35	-----	SEALING RING FOR RACK PISTON	1	
50	-----	SIDE COVER WASHER	1	
53	-----	THRUST WASHER	1	
54	-----	SEALING RING ASSY FOR HOUSING COVER	1	
60	-----	SEALING NUT	1	
63	-----	SEALING NUT	1	
67	-----	RECTANGULAR OIL SEAL FOR PITMAN SHAFT COVER	1	
68	-----	SEALING RING	1	
69	-----	O RING	1	
70	-----	SEALING RING	1	
71	-----	HIGH PRESSURE SEALING RING	1	
72	-----	DUST OIL SEAL	1	
74	-----	DUST OIL SEAL	1	
46	-----	PLUG	1	
75	-----	DUST COVER	1	
77	-----	TAB WASHER/LOCKING PLATE	1	
8	-----	RETAINING RING	1	



VC No : 20820132000R Group : (46) STEERING Table : (46.46.05-REPAIR KIT- POWER STEERING GEAR BOX (ZF))

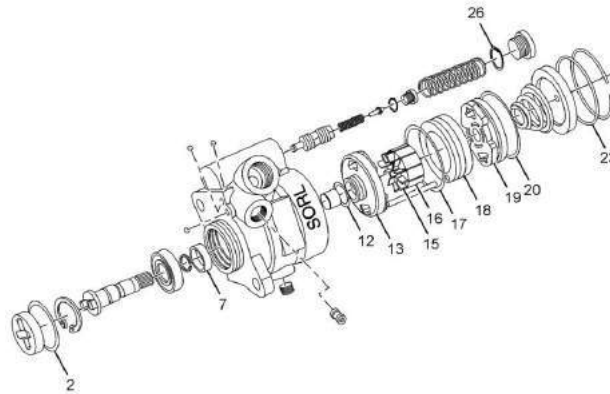
Fig.	Part No	Part Description	Qty	Remarks
50	257346100144	ASSY. STEERING GEAR BOX BS1/2/3/4	1	
-	257346600105	HOUSING ASSY	1	SET 1
-	257346600106	VALVE INSERT ASSY	1	SET 2
-	284646609903	HOUSING COVER ASSY	1	SET 3
-	284646609904	VALVE LIMITER	2	SET 4
-	257346600108	SECTOR SHAFT ASSY	1	SET 5
-	257346600107	PISTON ASSY	1	SET 6
-	257346217713	SEAL SHAFT BS1/2/3/4/6	1	SET 7
-	257346210102	KIT-SEAL P/STRG G/BOX BS1/2/3/4	1	SET 8
-	284646609909	DUST SEAL	1	SET 9
-	284646609910	HARDWARE KIT	1	SET 10



Updated on : Thu May 5 2022 20:15:02

VC No : 20820132000R Group : (46) STEERING Table : (46.46.06-STEERING PUMP(CHINA))

Fig.	Part No	Part Description	Qty	Remarks
	277046000110	POWER STEERING PUMP (DIRECT DRIVE)	1	
	278246600104	MAJOR KIT FOR POWER STEERING PUMP,CONSISTS OF:	1	
2	-----	O-RING 46.22.65	1	
7	-----	OIL SEAL 17287	1	
12	-----	O-RING 20X2.65	1	
13	-----	VALVE PLATE ASSY	1	
15	-----	VANE	10	
16	-----	ROTOR	1	
17	-----	O-RING 642.65	1	
18	-----	CAM RING	1	
19	-----	SIDE PLATE	1	
20	-----	O-RING 662.65	1	
23	-----	O-RING 682.65	1	
26	-----	O-RING 201.8	1	
	278246600105	MINOR KIT FOR POWER STEERING PUMP CONSISTS OF:	1	
2	-----	O-RING 46.22.65	1	
7	-----	OIL SEAL 17287	1	
12	-----	O-RING 20X2.65	1	
17	-----	O-RING 642.65	1	
20	-----	O-RING 662.65	1	
23	-----	O-RING 682.65	1	
26	-----	O-RING 201.8	1	



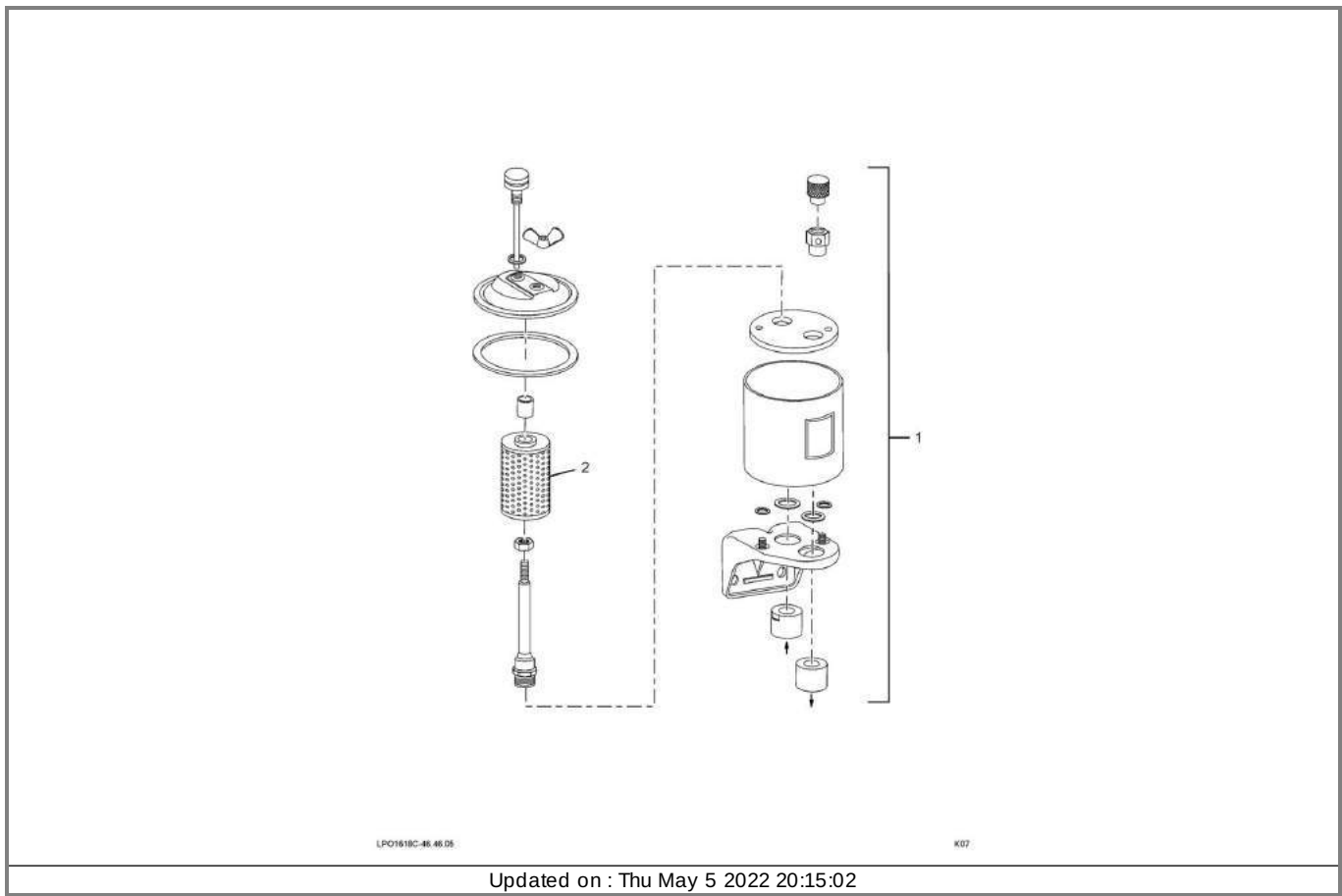
LPK2516C-46-46.06

P07

Updated on : Thu May 5 2022 20:15:02

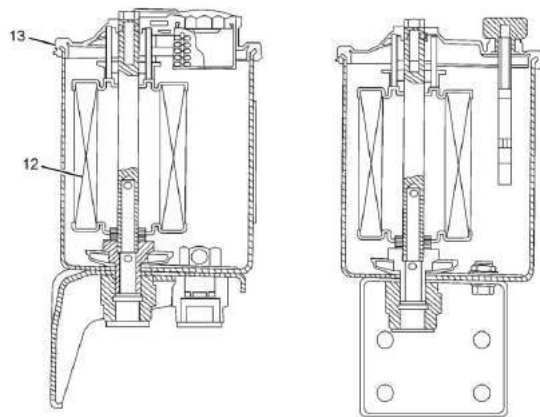
VC No : 20820132000R Group : (46) STEERING Table : (46.46.07-POWER STEERING HYDRAULIC TANK (ZF))

Fig.	Part No	Part Description	Qty	Remarks
1	278244400101	ASSY. HYDRAULIC STG. TANK-PLASTIC BS1- 4	1	FOR SELECTION
1	278244400101	ASSY. HYDRAULIC STG. TANK-PLASTIC BS1- 4	1	FOR SELECTION
2	257344400128	OIL FILTER CARTRIDGE BS1/2/3/4	1	FOR METALLIC TANK
2	278246609901	CARTRIDGE - PLASTIC RESERVOIR BS1/2/3/4	1	FOR PLASTIC TANK



VC No : 20820132000R Group : (46) STEERING Table : (46.46.08-POWER STEERING HYDRAULIC TANK (RANE))

Fig.	Part No	Part Description	Qty	Remarks
-	503046600105	ASSY. STG. PLASTIC RESERVOIR BS1/2/3/4	1	
	503046600107	KIT-FILTER BS1/2/3/4/6		KIT
-		FILTER ASSY		
-		SEALING RING		
-		SEALING RING		
-		VALVE SEAT		
-		SPRING		
-		STEAM		KIT
	503046990103	KIT-CAP		
-		BREATHER RUBBER		
-		STICKER-LOCK RANGE		
-		TIE STRAP		
-		STICKER-LOCK RANGE		
-		CAP		
	503046990104	KIT-SHELL		KIT
-		SHELL		
-		STRAINER-SUCTION		
-		PROTECTIVE CAP		
-		STICKER-LOCK RANGE		
-		STICKER		
-		STICKER-LOCK RANGE		
-		PROTECTIVE CAP		
12	257344500107	FILTER ASSY	1	FOR METALLIC TANK
12	277046609901	CARTRIDGE PLASTIC RESERVOIR BS1/2/3/4	1	FOR PLASTIC TANK
13	257344507703	COVER SEAL	1	



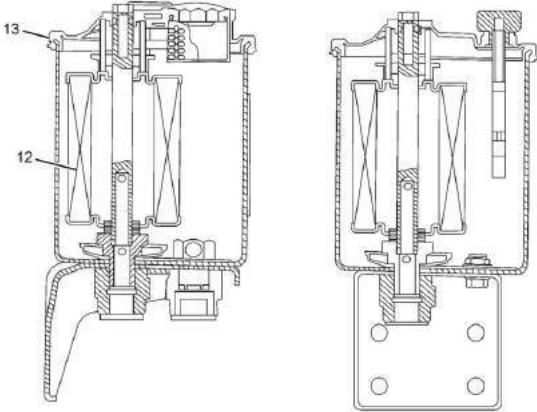
LPT2518-46 46 10 R1

K13

Updated on : Thu May 5 2022 20:15:02

VC No : 20820132000R Group : (46) STEERING Table : (46.46.08-POWER STEERING HYDRAULIC TANK (RANE))

Fig.	Part No	Part Description	Qty	Remarks
-	257344500104	OIL FILTER CAP ASSY	1	
-	257344500111	DIPSTICK ASSY	1	

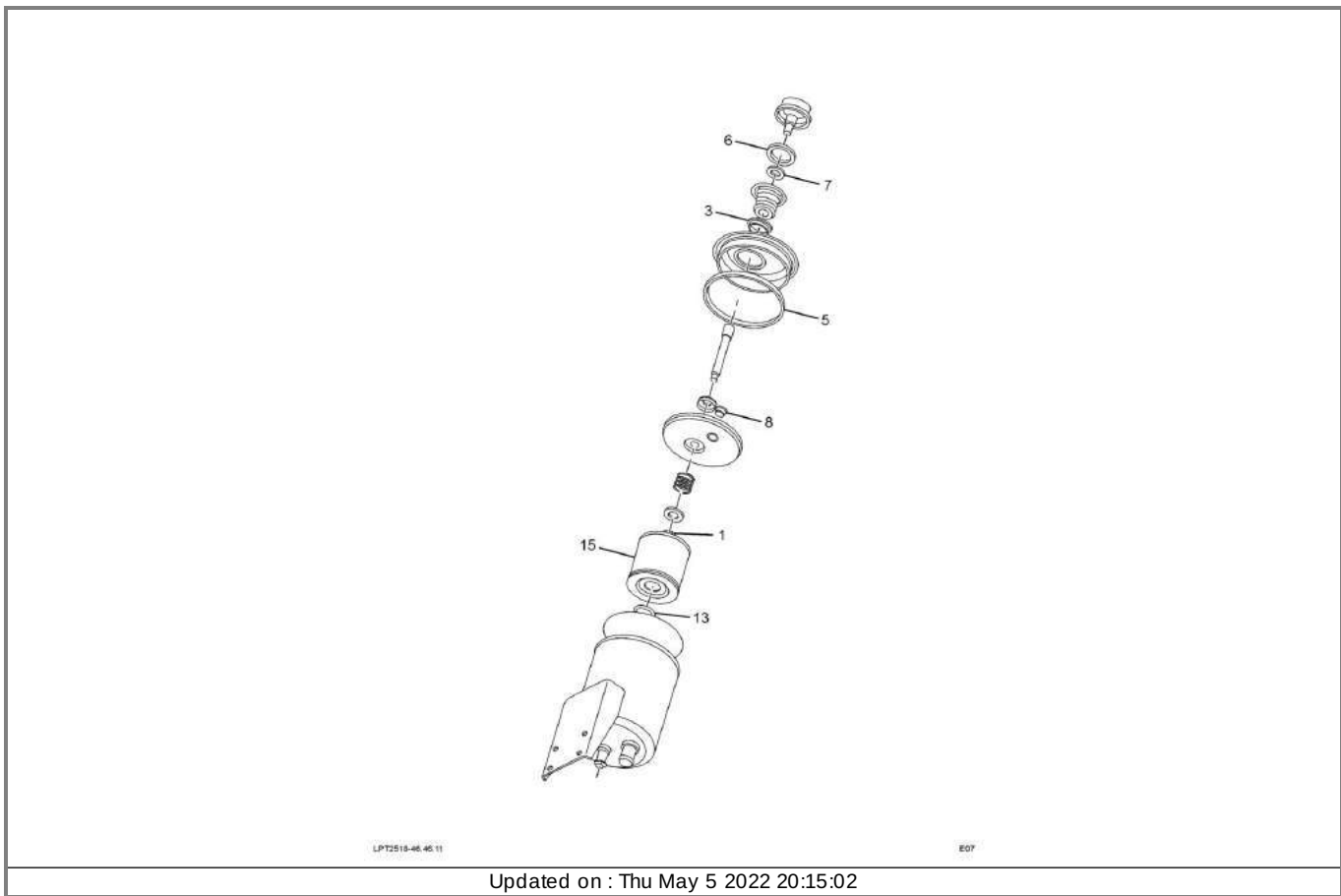


LPT2518-46 46 10 R1

K13

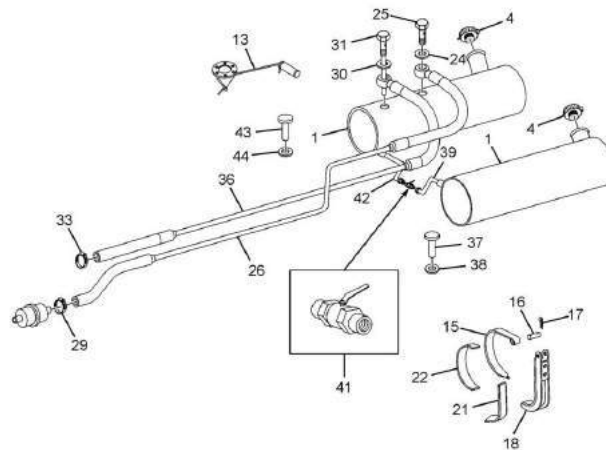
Updated on : Thu May 5 2022 20:15:02

VC No : 20820132000R Group : (46) STEERING Table : (46.46.09-POWER STEERING HYDRAULIC TANK (CHINA))				
Fig.	Part No	Part Description	Qty	Remarks
	217146000108	ASSY STEERING TANK	1	
	278246600125	FILTER ELEMENT	1	
	278246600108	KIT FOR RESERVOIR CONSISTS OF:	1	
1	-----	O RING FILTER ELEMENT TOP	1	
3	-----	FILLER COVER SEAL RING	1	
5	-----	TOP COVER SEAL RING	1	
6	-----	CAP SEAL	1	
7	-----	BAFFLE CAP SEAL	1	
8	-----	PLUG FOR UPPER FILTER	1	
13	-----	SEAL OIL FILTER BOTTOM	1	
15	-----	FILTER ELEMENT ASSY	1	



VC No : 20820132000R Group : (47) FUEL SYSTEM Table : (47.47.01A-FUEL SYSTEM)

Fig.	Part No	Part Description	Qty	Remarks
1	278347100104	ASSY. FUEL TANK COMP. 225 LTR RD BS1- 4	2	
4	0424700605J	ASSY FUEL TANK CAP	2	OLD TYPE
13	-----	TANK UNIT BIPOLAR	1	
15	278247500104	STRAP ASSY	4	
16	261847506701	CLEVIS PIN	4	
17	13150609369	SPLIT PIN 4X22	4	
18	257347500122	WELDING DRG.OF ASSY.BKT.&ASSY.SUPPORT	4	FOR SELECTION
18	278247500103	ASSY. SUPPORT (FUEL TANK 500 DIA.)	4	FOR SELECTION
21	278247507701	RUBBER PACKING (FUEL TANK TO SUPPORT)	4	
22	278247507702	RUBBER PACKING (FUEL TANK TO STRAP)	4	
	-----	FUEL LINES		
24	16220510216	SEALING WASHER 14X18 IS3175 AL	2	
25	16531999049	PIPE UNION BOLT 10 M14X1.5 TS16405	1	
26	208247600101	ASSY TUBE WITH CRIMPED RUBBER HOSE	1	
29	14280500161	HOSE CLAMP 16 IS4762 SS8451-8B	1	
30	16220510216	SEALING WASHER 14X18 IS3175 AL	2	
31	275147600103	ASSY.PIPE UNION BOLT	1	
33	14280500128	HOSE CLAMP 12 IS4762 SS8451-8B	1	
36	207747600192	ASSY TUBE WITH CRIMPED RUBBER HOSE	1	
37	206847107202	BANJO BOLT	1	
38	16220710282	SEALING WASHER 18X22 IS3175 CU	2	
39	207747600194	ASSY TUBE(15 O.D. X 370 LG)	1	
	16440511507	COUPLING BODY L15	2	
41	284147100101	BALL VALVE D/FEMALE 1/2IN. BSP	1	
42	207747600193	ASSY TUBE 15X360 MM LONG	1	



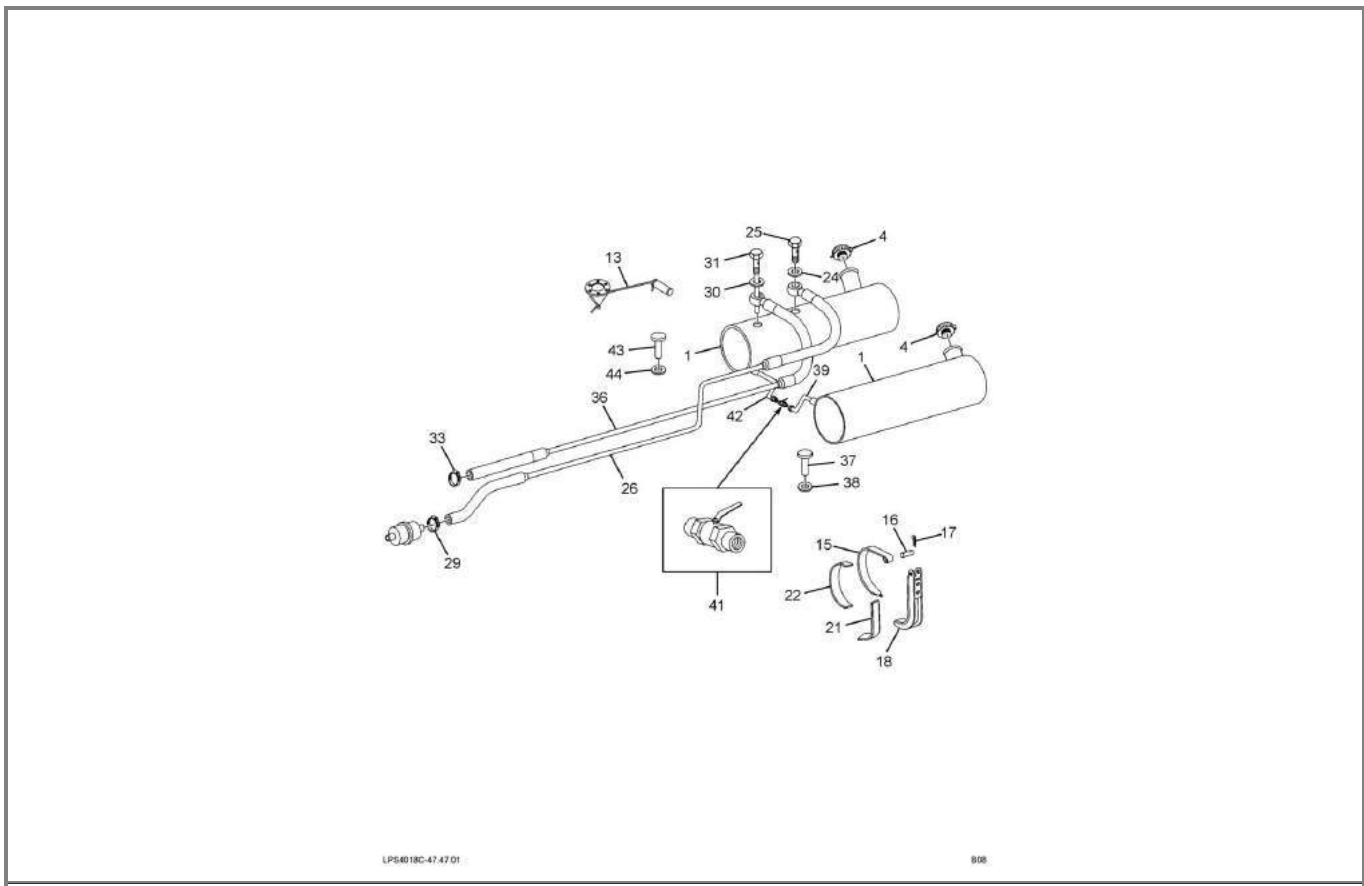
LPS4018C-47.47.01

808

Updated on : Thu May 5 2022 20:15:02

VC No : 20820132000R Group : (47) FUEL SYSTEM Table : (47.47.01A-FUEL SYSTEM)

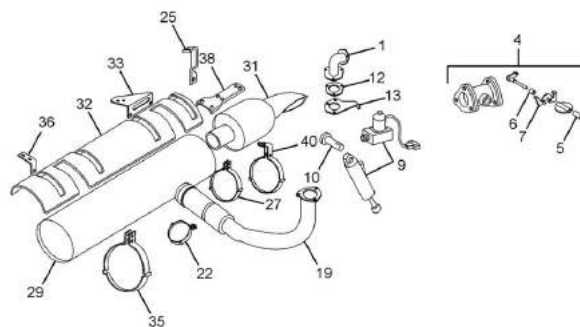
Fig.	Part No	Part Description	Qty	Remarks
43	206847107202	BANJO BOLT	1	
44	16220710282	SEALING WASHER 18X22 IS3175 CU	1	
	16440511507	COUPLING BODY L15	1	



Updated on : Thu May 5 2022 20:15:02

VC No : 20820132000R Group : (49) EXHAUST SYSTEM Table : (49.49.01A-EXHAUST SYSTEM)

Fig.	Part No	Part Description	Qty	Remarks
1	278614999928	CONNECTION EXHAUST OUTLET BS1/2/3	1	
12	276349205301	GASKET EXHAUST PIPE FLANGE BS1/2/3/4/6	3	
13	276349200131	ASSY BRACKET	1	FOR BIPOLAR VEHICLE
	284149203313	BRACKET (ON ENGINE BLOCK)	1	
4	276349200123	ASSY. EXHAUST BRAKE UNIT BS1/2/3/4	1	
5	3521441250	BUSH	1	
6	3521441350	BUSH	1	
7	-----	STOPPER PLATE	1	NOT SERVICED LOOSE
9	264154209938	ASSY MAGNETIC VALVE WITH MSSL TER.& HSG.	1	
10	275449206701	PIN	1	
19	284149200123	ASSY PIPE (I & II) WITH FLEX CONNECTOR	1	
22	284649208201	CLAMP (SECOND PIPE)	1	
25	284149208203	BRACKET (RADIATOR FRAME TO FIRST PIPE)	1	
27	284149204201	EXHAUST CLAMP (MUFFLER INLET & OUTLET)	2	
29	284149200116	ASSY MUFFLER	1	
31	284149200113	ASSY TAIL PIPE WITH SPARK ARRESTER	1	
32	284149200117	ASSY HEAT SHIELD.	1	
33	284149208209	MUFFLER SUPPORT BRACKET RH	1	
33	284149208210	MUFFLER SUPPORT BRACKET LH	1	
35	284149104201	CLAMP (SILENCER MOUNTING)	2	
36	284149208216	BRACKET(HEAT SHIELD MTG.)	2	
38	284149208208	SUPPORT BRACKET	1	
40	284149204202	CLAMP (SPARK ARRESTER MOUNTING)	2	
	208249200109	ASSY BRACKET (TC OUTLET)	1	



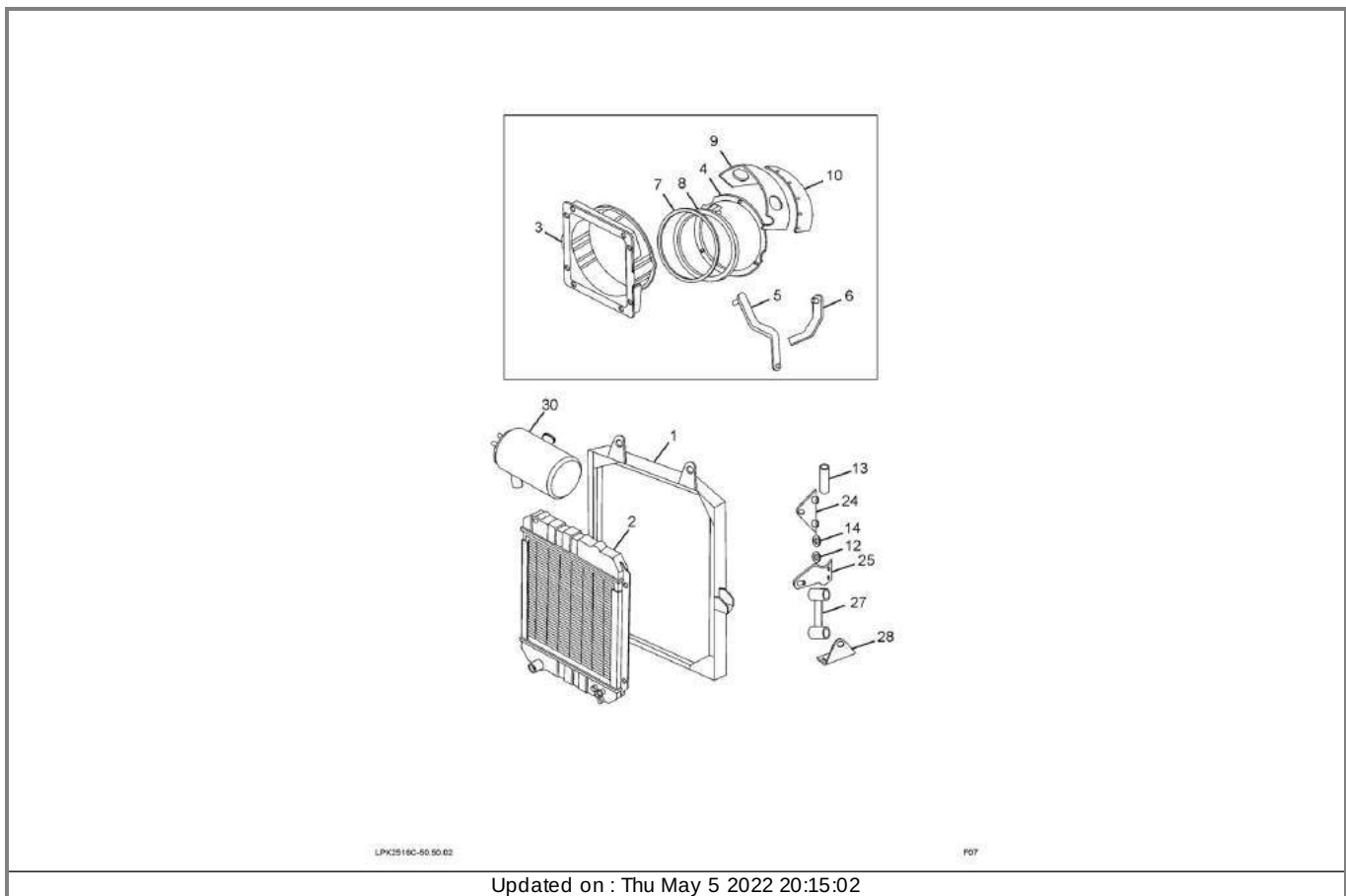
LPS4018C-48 48 01

A08

Updated on : Thu May 5 2022 20:15:02

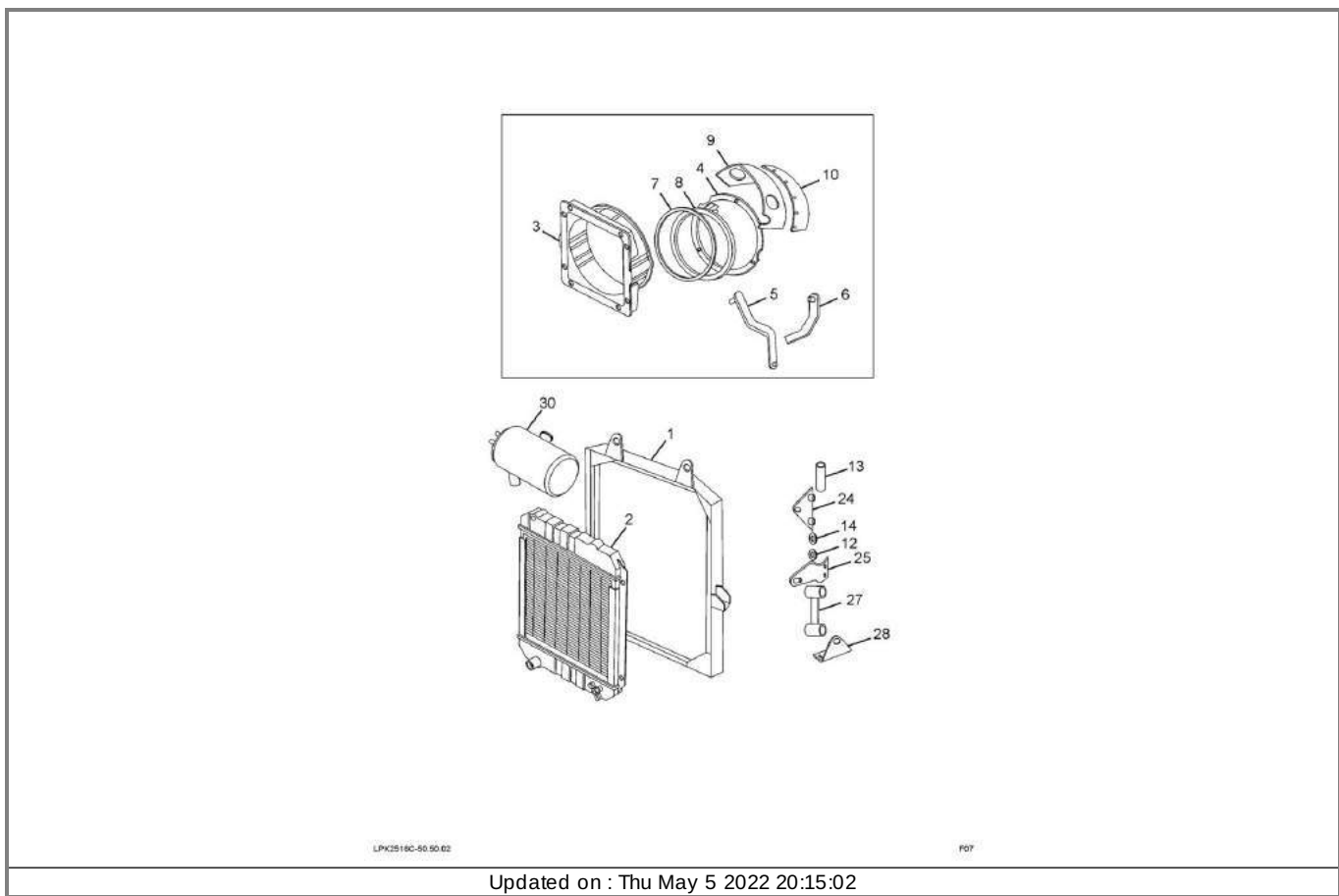
VC No : 20820132000R Group : (50) RADIATOR Table : (50.50.01-RADIATOR)

Fig.	Part No	Part Description	Qty	Remarks
1	278650000226	ASSY RADIATOR FRAME	1	
2	278650100341	RADIATOR-LPT2516 80MM LIFTED BS2/3/4	1	FOR SELECTION
2	278650110301	ASSY. RADIATOR (LPS4018TC) BS1/2/3/4	1	FOR SELECTION
3	278650506324	ASSY FAN SHROUD	1	
4	278620143801	FAN SHROUD RING LPT2515/LPS4018 BS1/2/3	1	
5	278620140106	ASSY BRACKET-RH(TOP)FOR FAN RING MTG.	1	
5	278620140114	ASSY BRACKET LH-TOP(FAN RING MTG)	1	
6	278620143301	BRACKET-RH (FOR FAN RING BOTTOM MTG)	1	
6	278620143302	BRACKET-LH (FOR FAN RING BOTTOM MTG)	1	
7	252550507703	RUBBER RING(110 MM WIDTH).	1	
8	252550504201	HOSE CLAMP (610 ID)	2	
9	278650507720	FLAP	1	
10	278650008261	SUPPORT PLATE(FOR RUBBER FLAP)LPS4018TC	1	
	278650000252	ASSY SHIELD(FOR SEALING)	1	
12	257450009202	WASHER (47DIA)	4	
13	257450006904	SPACER TUBE (35 long)	2	
14	257450006301	RUBBER BUFFER	4	
24	278650000227	ASSY BRACKET	2	
25	278650000228	BRACKET-LH(RAD. FRAME SIDE MTG.)	1	
25	278650000229	BRACKET-RH(RAD. FRAME SIDE MTG.)	1	
27	278650000250	ASSY RUBBER BUSH (RAD FRAME SIDE MTG)	1	OPTIONAL
27	252550000226	ASSY RUBBER BUSH (RAD FRAME SIDE MTG)	1	OPTIONAL
28	278650000231	ASSY BRACKET-LH	1	
28	278650000232	ASSY BRACKET-RH	1	
30	278650100331	ASSY. RESERVE TANK BS1/2/3/4	1	OPTIONAL



VC No : 20820132000R Group : (50) RADIATOR Table : (50.50.01-RADIATOR)

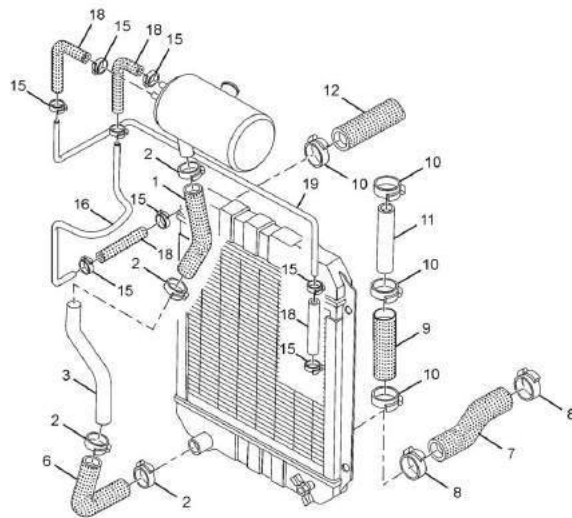
Fig.	Part No	Part Description	Qty	Remarks
30	278650100331	ASSY. RESERVE TANK BS1/2/3/4	1	OPTIONAL
	278650010126	ASSY BRACKET-RH(AUX.WATER TANK MTG)	1	
	278650010127	ASSY BRACKET-LH(AUX.WATER TANK MTG)	1	
	268062208215	WATER TANK MTG.BRKT.	1	



Updated on : Thu May 5 2022 20:15:02

VC No : 20820132000R Group : (50) RADIATOR Table : (50.50.02-RADIATOR CONNECTION)

Fig.	Part No	Part Description	Qty	Remarks
1	278550105803	HOSE (20 ID x 110 L)	1	
2	14280500454	HOSE CLAMP 45 IS4762 SS8451-8B	4	
3	278650010115	ASSY WATER FILL PIPE.	1	
6	278650115828	REDUCER HOSE (28.6 TO 20 DIA)	1	
	14300512403	SPR BAND CLAMP 40DX12W	1	
	14300512306	SPR BAND CLAMP 30DX12W	1	
7	278650115801	RADIATOR BOTTOM HOSE	1	
8	14280598217	HOSE CLAMP TB-54 SAE J 1508	2	
9	207650105805	HOSE (ENGINE TO RADIATOR INLET)	1	
	206950105823	RUBBER HOSE (ENGINE TO RAD.INLET)	1	
10	14280599302	HOSE CLAMP TB36 SAE J1508	2	
11	278650106951	PIPE (ENGINE OUTLET TO RADIATOR INLET)	1	
12	278650105822	RUBBER HOSE	1	
10	14280599302	HOSE CLAMP TB36 SAE J1508	2	
16	278650126907	VENT TUBE(ENG TO PLASTIC AUX.WATER TANK)	1	
15	14280500161	HOSE CLAMP 16 IS4762 SS8451-8B	8	
19	252550105894	HOSE (550 LONG)	1	
18	278650105838	RUBBER HOSE (6 IDX80 LONG)	4	



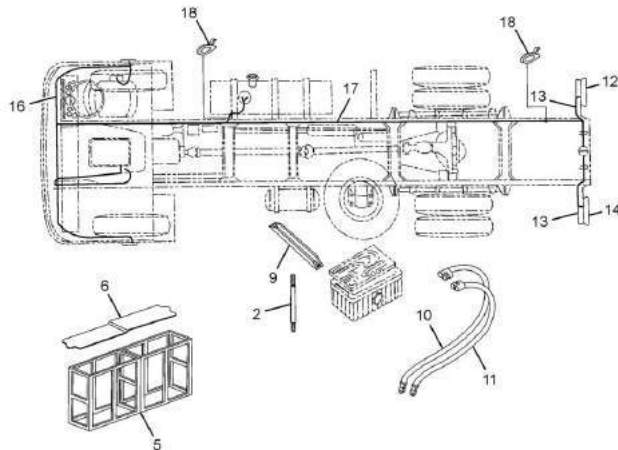
LPS4018C-50.50.02

808

Updated on : Thu May 5 2022 20:15:02

VC No : 20820132000R Group : (54) ELECTRICALS Table : (54.54.01A-CABLE SET AND ROUTING)

Fig.	Part No	Part Description	Qty	Remarks
2	263154103201	STUD	4	
5	-----	ASSY FRAME COMPLETE-LH (BATT.CARRIER)	1	
6	284154100101	ASSY FRAME WITH COVER (BATTERY MTG.)	1	
9	284154108211	CHANNEL (444 LG.)(BATTERY CLAMPING)	2	
10	270654100109	ASSY BATTERY CABLE NEGATIVE	1	
11	215754100125	ASSY BATTERY CABLE VE (BATTERY TO BCSW.)	1	
-	215754100126	ASSY BATTERY CABLE VE (ST.MOTOR TO BCSW.)	1	
-	257354100161	ASSY BATTERY CABLE (LINK) 50 SQ MM(300 MM)	1	
12	261854440102	ASSY. TAIL LAMP RH 24V BS1/2/3/4	1	
13	284152203301	BRACKET (TAIL LAMP MTG.)	2	
14	261854440101	ASSY. TAIL LAMP LH BS1/2/3/4	1	
16	215754820183	WIRING HARNESS MAIN	1	FOR INS.PANEL BIPOLAR UPTO NOV
16	208254820101	WIRING HARNESS MAIN	1	FOR INS.CLUSTER BIPOLAR FROM D
16	208254620107	WIRING HARNESS MAIN-MSSL	1	FOR INS.CLUSTER BIPOLAR FROM A
17	215754820184	WIRING HARNESS TAIL	1	FOR INS.PANEL BIPOLAR
17	208254620108	WIRING HARNESS TAIL-MSSL	1	FOR INS.CLUSTER BIPOLAR
-	215754820185	WIRING HARNESS ROOF	1	FOR INS.PANEL BIPOLAR
-	208254620110	WIRING HARNESS ROOF-MSSL	1	FOR INS.CLUSTER BIPOLAR
-	278254600107	WIRING HARNESS STOP LT.SW.AND LP SW.	1	FOR INS.PANEL BIPOLAR
-	208254620109	WIRING HARNESS-ENGINE	1	FOR INS.CLUSTER BIPOLAR
-	278254600105	WIRING HARNESS GAUGES EARTHING	1	FOR INS.PANEL BIPOLAR
-	208254660113	WIRING HARNESS BATT.TAP(PIGTAIL)	1	FOR INS.CLUSTER BIPOLAR
-	278354600102	WIRING HARNESS JUMPER CABLE	1	FOR INS.PANEL BIPOLAR
-	281654601673	JUMPER CABLE (LIGHTING CONNECTIONS)	1	FOR INS.CLUSTER
-	278254600104	WIRING HARNESS PANEL LAMPS	1	FOR INS.PANEL BIPOLAR



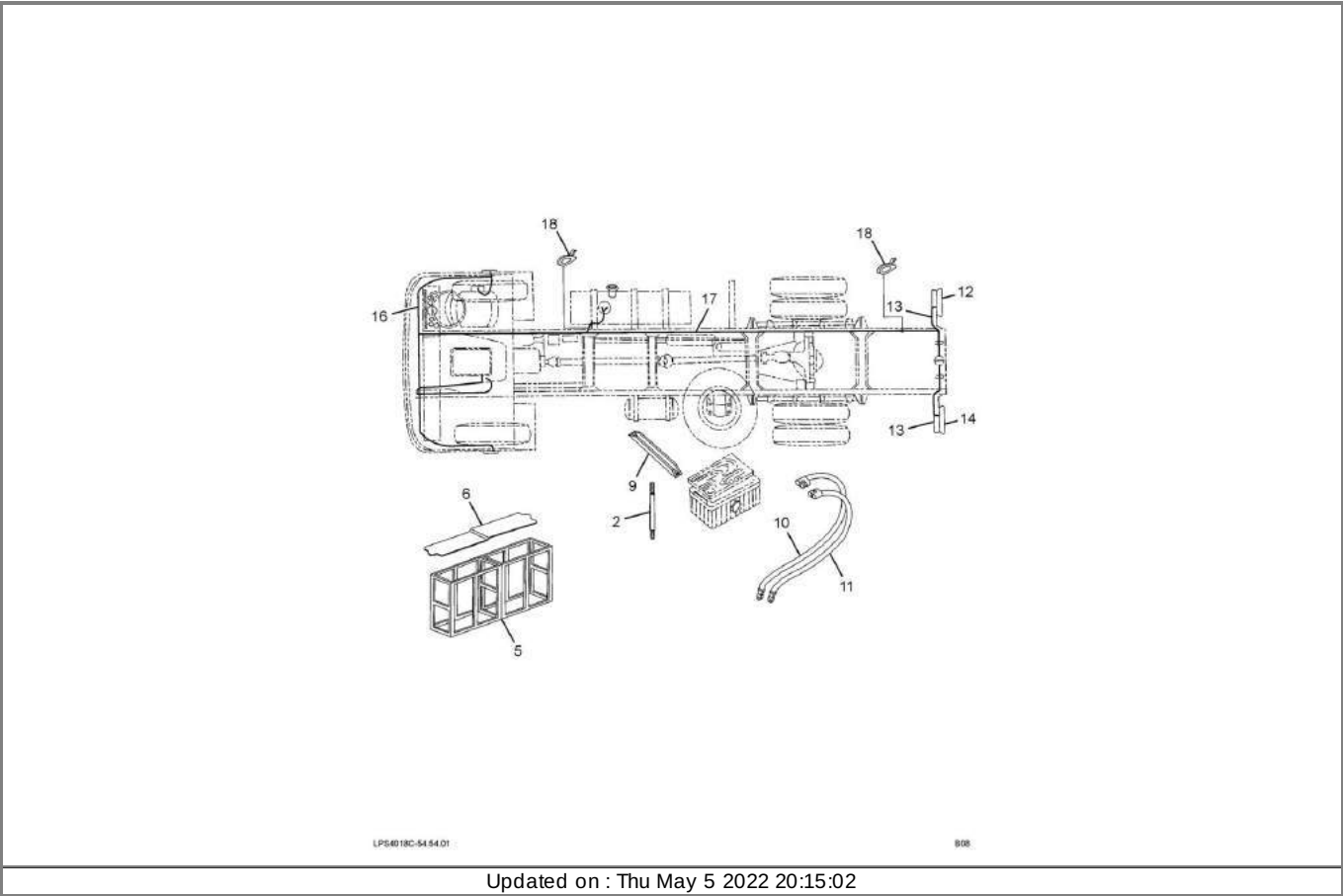
LPS4018C-54.54.01

808

Updated on : Thu May 5 2022 20:15:02

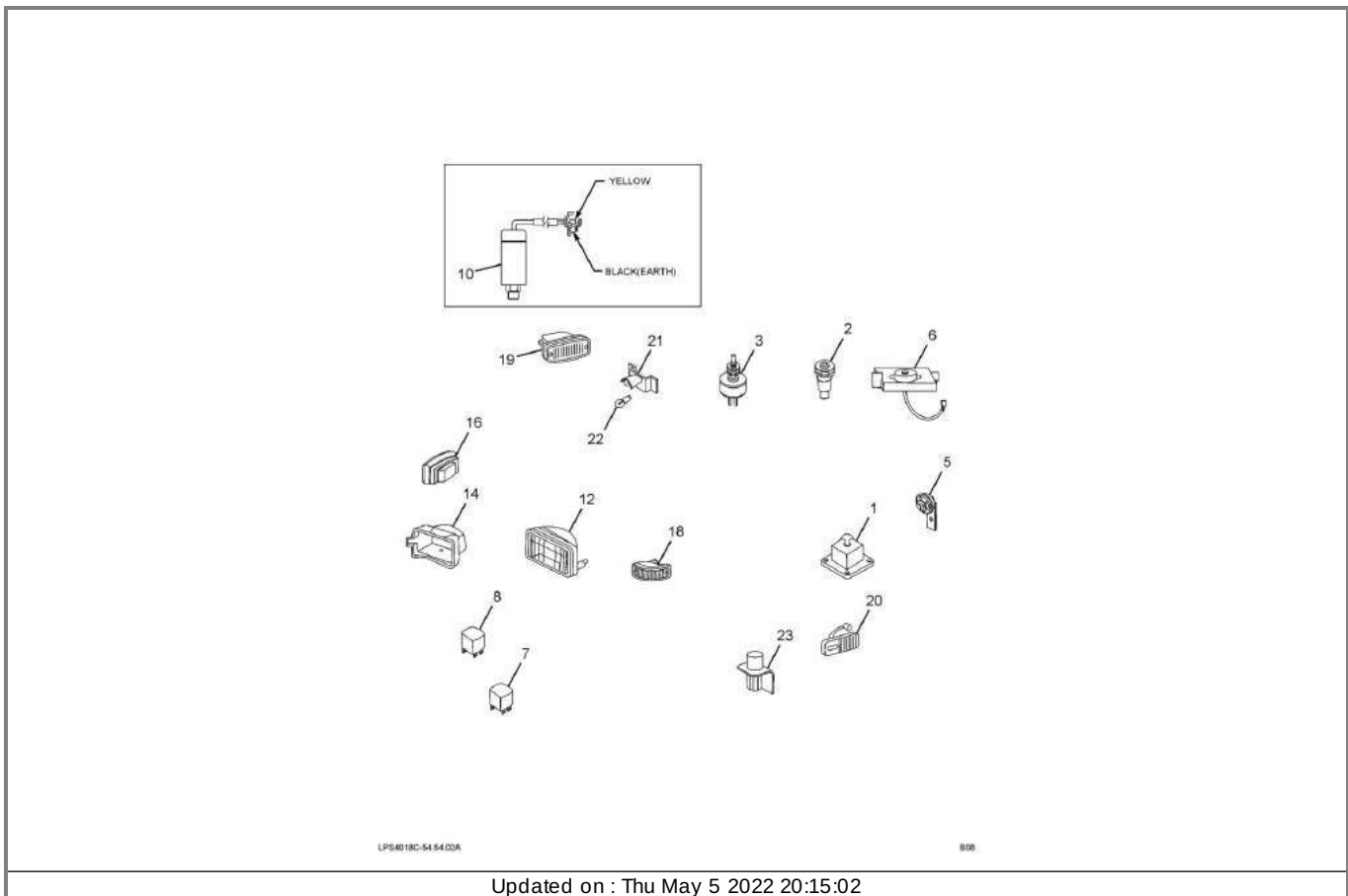
VC No : 20820132000R Group : (54) ELECTRICALS Table : (54.54.01A-CABLE SET AND ROUTING)

Fig.	Part No	Part Description	Qty	Remarks
18	257354208205	CLIP	18	



VC No : 20820132000R Group : (54) ELECTRICALS Table : (54.54.02A-LIGHT AND SIGNAL SYSTEM)

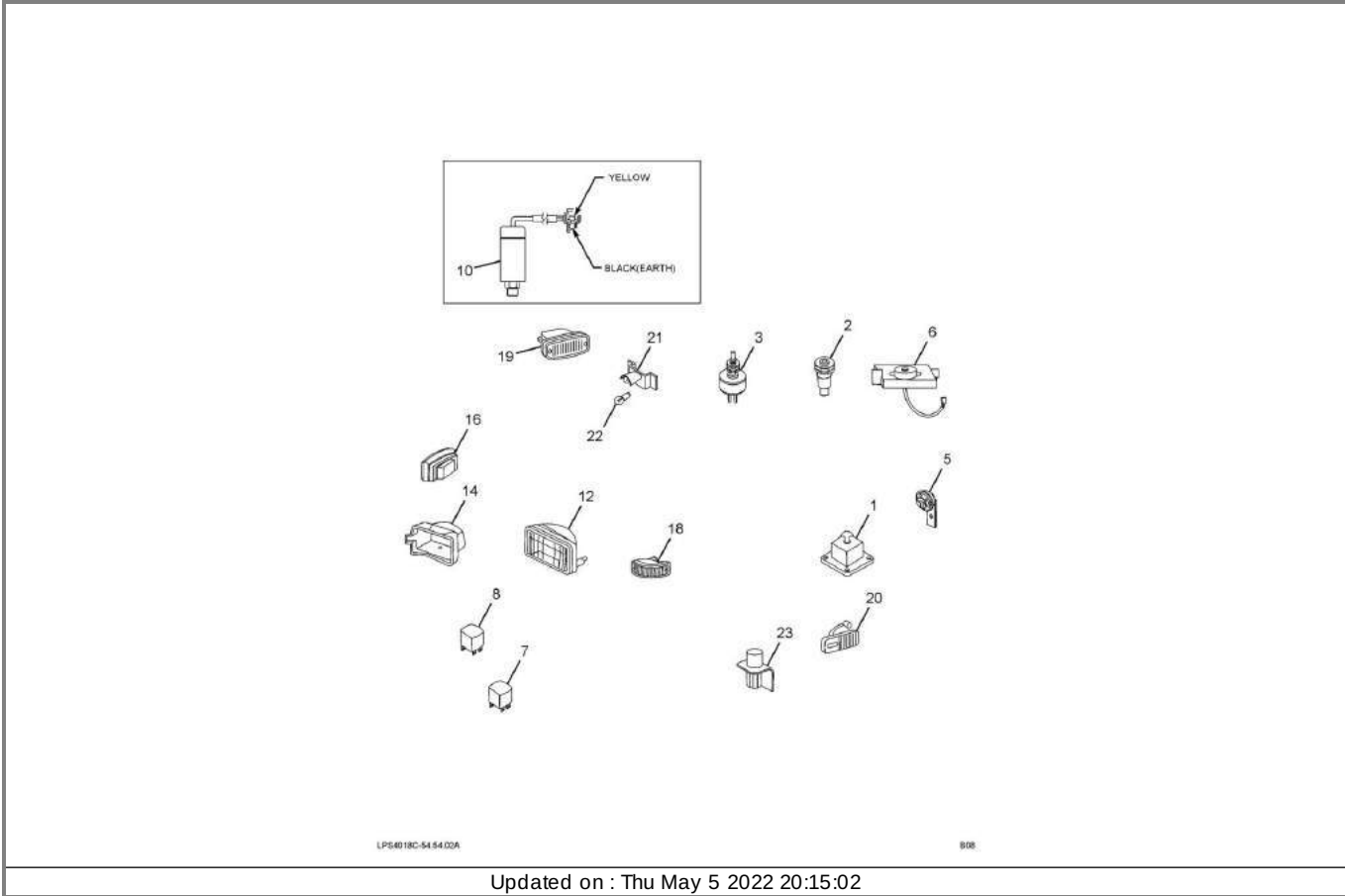
Fig.	Part No	Part Description	Qty	Remarks
1	218654509916	BATTERY CUT-OFF SWITCH (1-POLE)	1	
	257454107503	RUBBER CAP(FOR BATT.CUT OFF SWITCH)	4	
2	257454509957	LOW AIR PRESSURE INDICATOR SWITCH	3	
3	257654509909	STOP LIGHT SWITCH BS1/2/3/4/6	1	
	261854240106	KIT HORN (24V),CONSISTS OF:	1	
5	257354249910	HORN 24V W/O RIS CAPACITOR BS1/2/3/4	1	
5	261854249911	HORN (LOW TONE) 24V BS1/2/3/4	1	
6	207854209903	HIGH TEMP.BUZZER UNIT(12V/24V)	1	
7	277054244902	RELAY 24V-E.D.	3	FOR BIPOLAR VEHICLE
8	260854504901	RELAY (24V)-STARTER	1	
	275154200101	ASSY BRACKET FOR ST.RELAY	1	
10	277054509901	ELECT.SERVICE IND.SWITCH	1	
12	-	LAMP H/L 1.8 12VHLL 24V W/O RIM RH RHD	1	NOT SERVICED
12	-	LAMP H/L 1.8 12VHLL 24V W/O RIM LH RHD	1	NOT SERVICED
	269854409903	HOUSING CFLT MSSL PT.NO.6170 2030	2	
14	259281100131	ASSY. HEAD LAMP DOME BS1/2/3/4/6	2	
	269854500111	HEAD LAMP LEVELLING SWITCH	1	
16	257654400111	ASSY CAB LAMP	1	
	265854400105	ASSY HATCH BACK LAMP 24V	2	FOR BIPOLAR VEHICLE
18	262554440102	ASSY. BLINKER RH WITH BULB 24V BS2/3/4	1	
18	262554440101	ASSY. BLINKER LH WITH BULB 24V BS2/3/4	1	
19	284154440101	ASSY SIDE INDICATOR LAMP-RH 24V W/BLB(BIPOLR)	1	FOR BIPOLAR VEHICLE
19	284154440102	ASSY SIDE INDICATOR LAMP-LH 24V W/BLB(BIPOLR)	1	FOR BIPOLAR VEHICLE
20	284154440103	ASSY TOP MARKER LAMP-RH 24V W/BULB-BIPOLAR	1	FOR BIPOLAR VEHICLE
20	284154440104	ASSY TOP MARKER LAMP-LH 24V W/BULB-BIPOLAR	1	FOR BIPOLAR VEHICLE



Updated on : Thu May 5 2022 20:15:02

VC No : 20820132000R Group : (54) ELECTRICALS Table : (54.54.02A-LIGHT AND SIGNAL SYSTEM)

Fig.	Part No	Part Description	Qty	Remarks
21	257654400121	ASSY ENGINE LAMP	1	FOR BIPOLAR VEHICLE
22	62120520046	LAMP 24V 21W D24/1 BA15S	1	
23	261854544606	TRAILER FLASHER (24V)	1	
	258854600108	ASSY PLUG SUPPORT BRACKET	1	



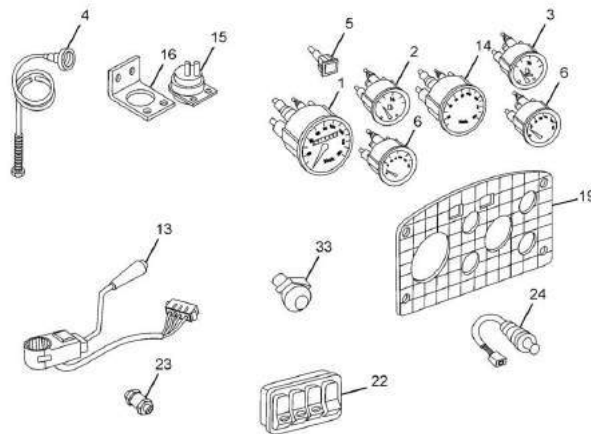
LPS4018C-54.54.02A

508

Updated on : Thu May 5 2022 20:15:02

VC No : 20820132000R Group : (54) ELECTRICALS Table : (54.54.03-ELECTRICAL EQUIPMENT OLD VERSION(INSTRUMENT PANEL))

Fig.	Part No	Part Description	Qty	Remarks
1	275354209901	SPEEDOMETER(61 DIGIT) 1:1.04	1	
2	263254249903	FUEL GAUGE 24V	1	
3	276354209901	ELECTRICAL TEMP.GAUGE 24V	1	
4	275454209904	SPEEDOCABLE 3200MM BS1/2/3	1	
5	257354440138	ASSY INDICATOR LAMP (HAND BRAKE)	1	
5	257354440139	ASSY INDICATOR LAMP (LOW AIR PR)	1	
5	257354440137	ASSY INDICATOR LAMP (BATTERY)	1	
5	257454420115	ASSY INDICATOR LAMP (EX.BR.ON)	1	
5	277054440105	ASSY INDICATOR LAMP (LOW OIL PR.)	1	
5	-----	ASSY INDICATOR LAMP (SERV)	1	
-	62120510067	LAMP 24V 2W M24/1 BA9S	6	
-	263154809901	COVER WARNING LAMP	6	
6	263254209915	AIR PRESSURE GAUGE	2	
-	62120510067	LAMP 24V 2W M24/1 BA9S	10	
-	257354509910	COVER DUMMY GAUGE	1	
13	261854500101	ASSY. COMBI SWITCH BS1/2/3	1	
14	277054209917	RPM METER 24V	1	
15	257354209933	BEEPER ALARM UNIT	1	
16	216354200150	ASSY BRACKET BUZZER & BEEPER	1	
19	275468906301	INSTRUMENT PANEL	1	
22	275454506906	PIANO KEY SWITCH	1	
23	207354500101	ASSY. MAIN LINE SWITCH BS1/2/3/4	1	
-	257654507505	RUBBER COVER (MAIN LINE SWITCH)	1	
24	261854540101	HAZARD WARNING SWITCH 24 V	1	
33	261454509901	STARTER PUSH BUTTON SWITCH	1	



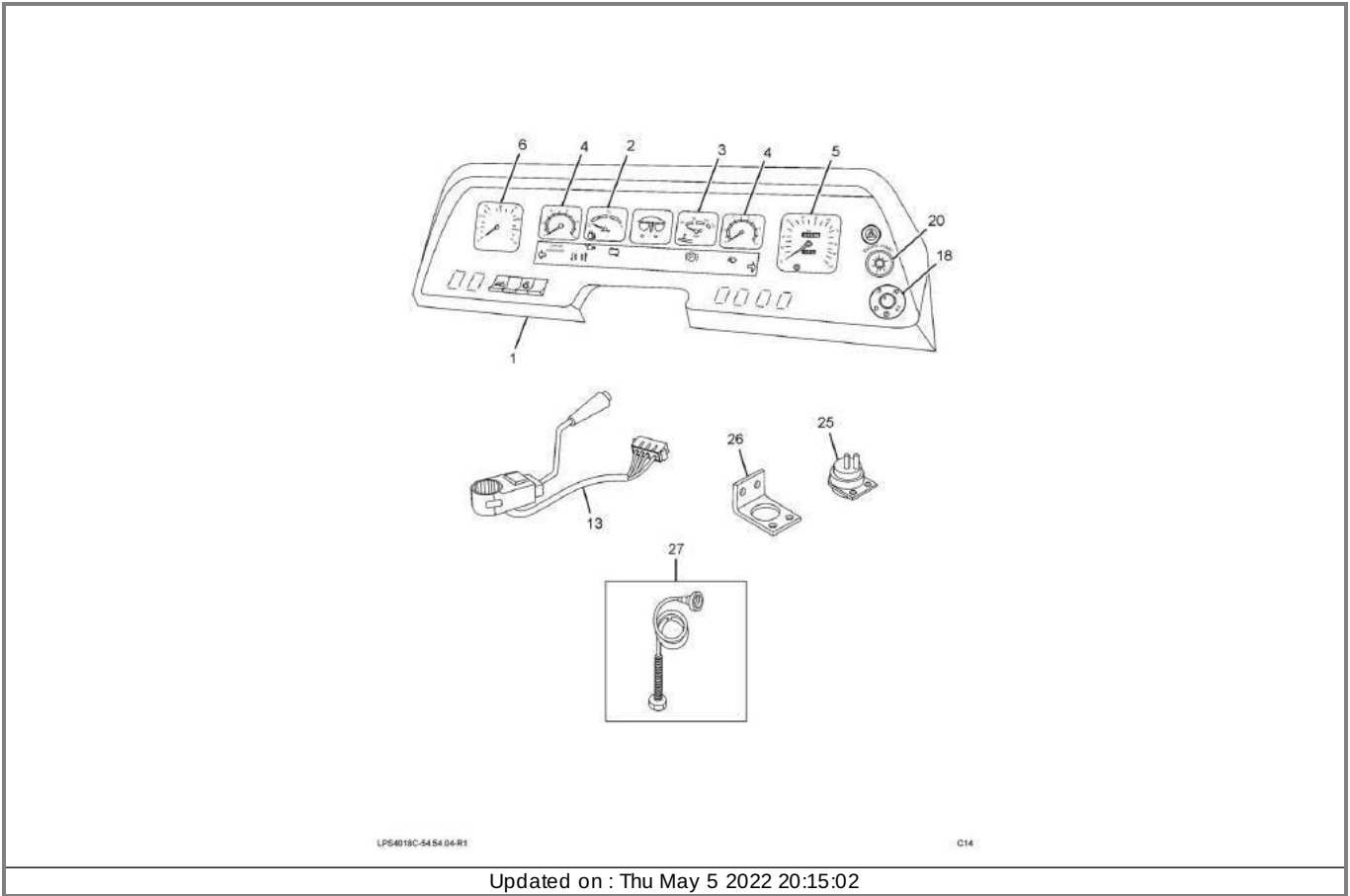
LPS4018C-54.54.03

808

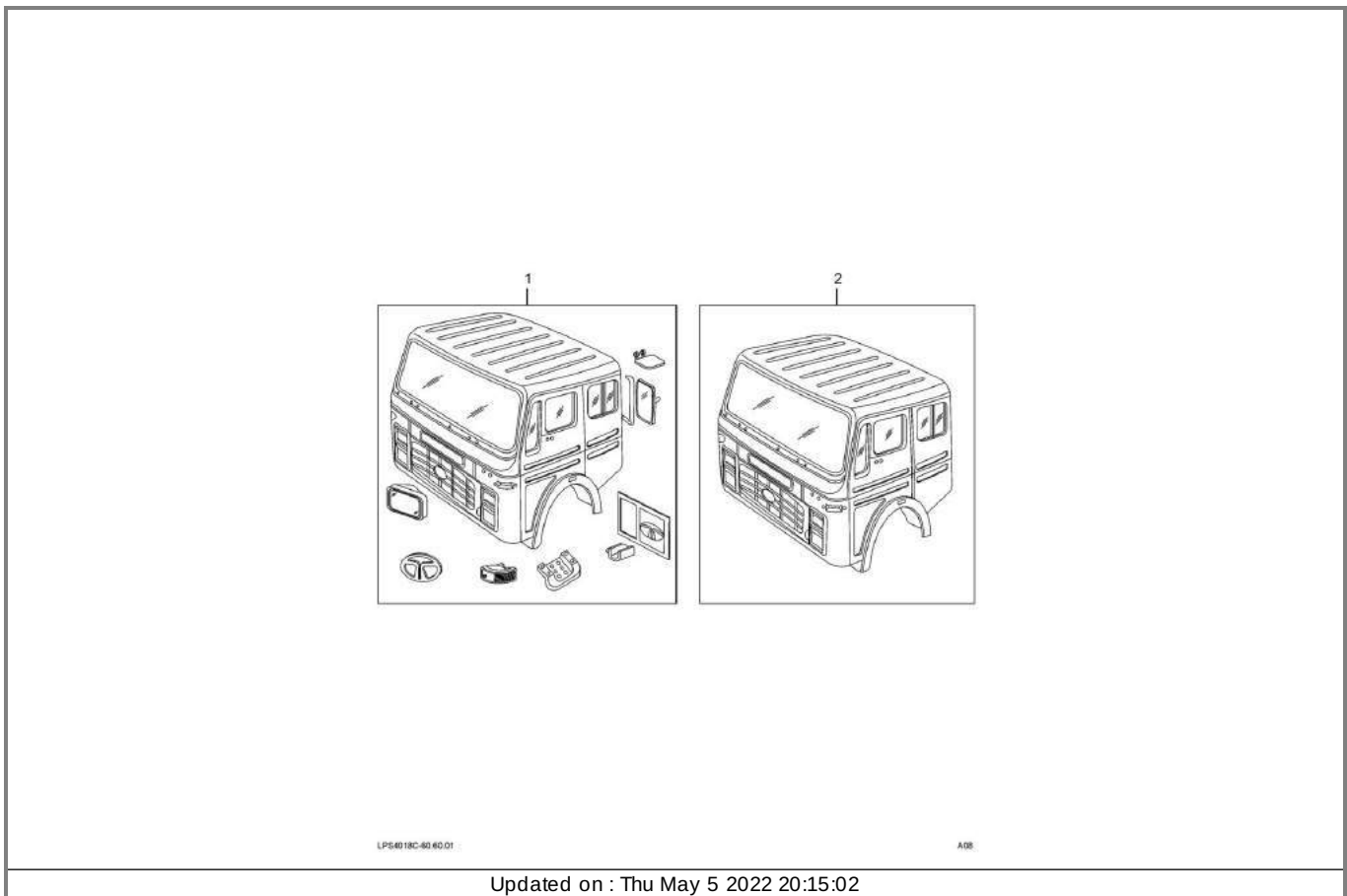
Updated on : Thu May 5 2022 20:15:02

VC No : 20820132000R Group : (54) ELECTRICALS Table : (54.54.04A-ELECTRICAL EQUIPMENT (INSTRUMENT CLUSTER))

Fig.	Part No	Part Description	Qty	Remarks
1	215754209940	INSTRUMENT CLUSTER 1:1.04	1	NOT APPLICABLE FOR ABS BRAKE
2	261854209925	FUEL GAUGE ASSY 24V	1	
3	261854209927	TEMPERATURE GAUGE	1	
4	261854209928	AIR PRESSURE GAUGE	1	
5	261854209932	SPEEDOMETER (1:1.04)	1	
6	261854209936	RPM METER (W/O DIGITAL HOUR METER)	1	
13	261854500101	ASSY. COMBI SWITCH BS1/2/3	1	
18	207354500101	ASSY. MAIN LINE SWITCH BS1/2/3/4	1	
20	261454509901	STARTER PUSH BUTTON	1	
25	257354209933	BEEPER ALARM UNIT	1	
26	216354200150	ASSY BRACKET BUZZER & BEEPER	1	
27	264154209944	SPEEDOCABLE 3200 LG.JIS	1	



VC No : 20820132000R Group : (60) BODY Table : (60.60.01-SLEEPER CAB)				
Fig.	Part No	Part Description	Qty	Remarks
1	284160100106SJ	ASSY SL. CAB COMPL LPS 4018 TC ABS SPARE	1	
2	284160100107	ASSY. BODYSHELL PAINTED-RHD BS1/2/3	1	



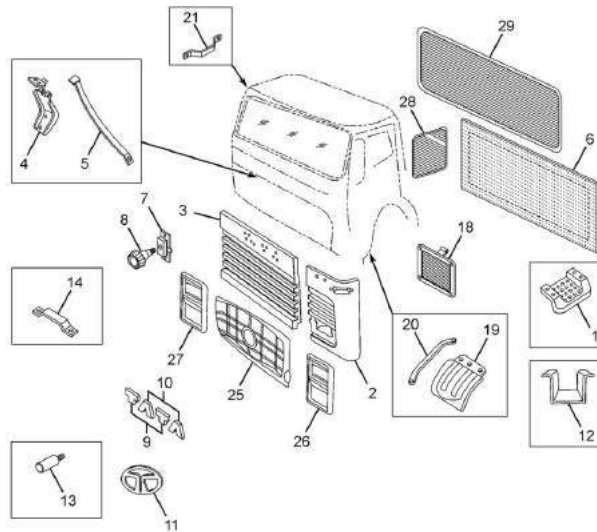
LPS4018C-40.60.01

ADR

Updated on : Thu May 5 2022 20:15:02

VC No : 20820132000R Group : (60) BODY Table : (60.60.03-CAB SHEET METAL AND FITMENTS)

Fig.	Part No	Part Description	Qty	Remarks
1	25766608263	STEP BOARD BOTTOM	2	
12	350566068222	STEP(ADDITIONAL)	2	
	25766600120	ASSY STEP WELL COMPLETE L H	1	
	25766600121	ASSY STEP WELL COMPLETE R H	1	
2	28416250820135	PANEL FACE SIDE BOOTOM-LH+CED BS1/2/3/4	1	
2	284162508202	PANEL FACE SIDE BOTTOM-RH BS1/2/3/4	1	
3	28417510010135	ASSY.CENTRE FLAP WELDED + CED BS1/2/3/4	1	
25	284181100103	ASSY. GRILL COMP.(CENTRE FLAP) BS1/2/3/4	1	
26	284181106301	GRILLE SIDE LH BS1/2/3/4	1	
27	284181106302	SIDE GRILLE RH BS1/2/3/4	1	
28	284181100101	ASSY GRILL-SIDE WINDOW	2	
29	284181100102	ASSY GRILL-REAR WINDOW	1	
4	275160102902	HINGE LEAF(CENTRE FLAP)	2	
	275160106701	HINGE PIN	2	
	275160103401	BUSH(CENTRE FLAP)	4	
5	274560106901	STAY ROD (CENTRE FLAP)	1	
6	257569400103	ASSY REAR WALL PADDING	1	
7	350272300111	ASSY LOCK (CENTRE FLAP)	2	
8	206075100107	ASSY KNOB CENTRE FLAP	2	
9	257675207501	BUSH CENTRE FLAP	2	
9	274275206301	LETTERT(NEW STYLISED)	2	
10	274275206302	LETTERA(NEW STYLISED)	2	
	264068809901	CLIP (MASCOT)	12	
	257675203309	BRACKET (LOCK)	2	
11	278281100109	ASSYEMBLEM COMPLETE WITH GRILLE	1	



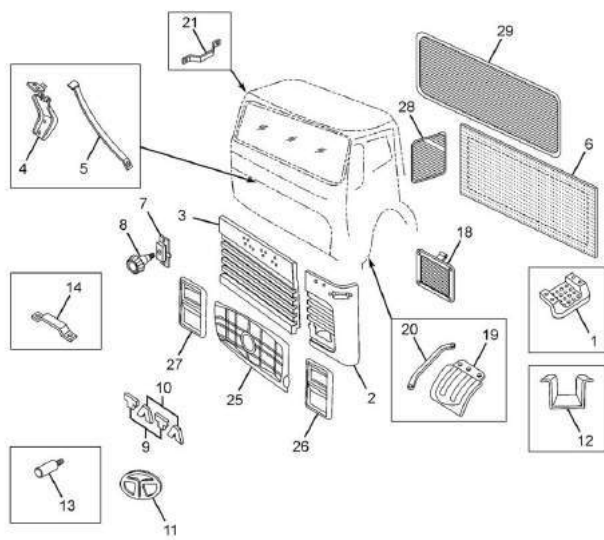
LPS4018C-60 60.00

A08

Updated on : Thu May 5 2022 20:15:02

VC No : 20820132000R Group : (60) BODY Table : (60.60.03-CAB SHEET METAL AND FITMENTS)

Fig.	Part No	Part Description	Qty	Remarks
13	257675200109	ASSY RUBBER BUFFER	2	
14	275160105601	GRAB HANDLE (FRONT FACE)	2	
18	257683800101	ASSY VENTILATION UNIT FRONT	2	
19	268088106303	MUDGUARD FRONT LH	1	OPTIONAL
19	275188106303	MUDGUARD FRONT LH	1	OPTIONAL
19	268088106304	MUDGUARD FRONT RH	1	OPTIONAL
19	275188106304	MUDGUARD FRONT RH	1	OPTIONAL
20	257566506908	SUPPORT MUDGUARD FRT LH	1	
20	257566506909	SUPPORT(MUDGUARD FRT) RH	1	
21	257388706306	GRAB HANDLE	4	
	257566500102	ASSY MUDGURD LH REAR	1	
	257666500114	ASSY MUDGURD RH REAR	1	
	268061606301	EXTENSION MUDGUARD REAR LH	1	
	268061606302	EXTENSION MUDGUARD REAR RH	1	
	284181100107	ASSY ARRESTOR SPRAY SUPPRESSION	2	



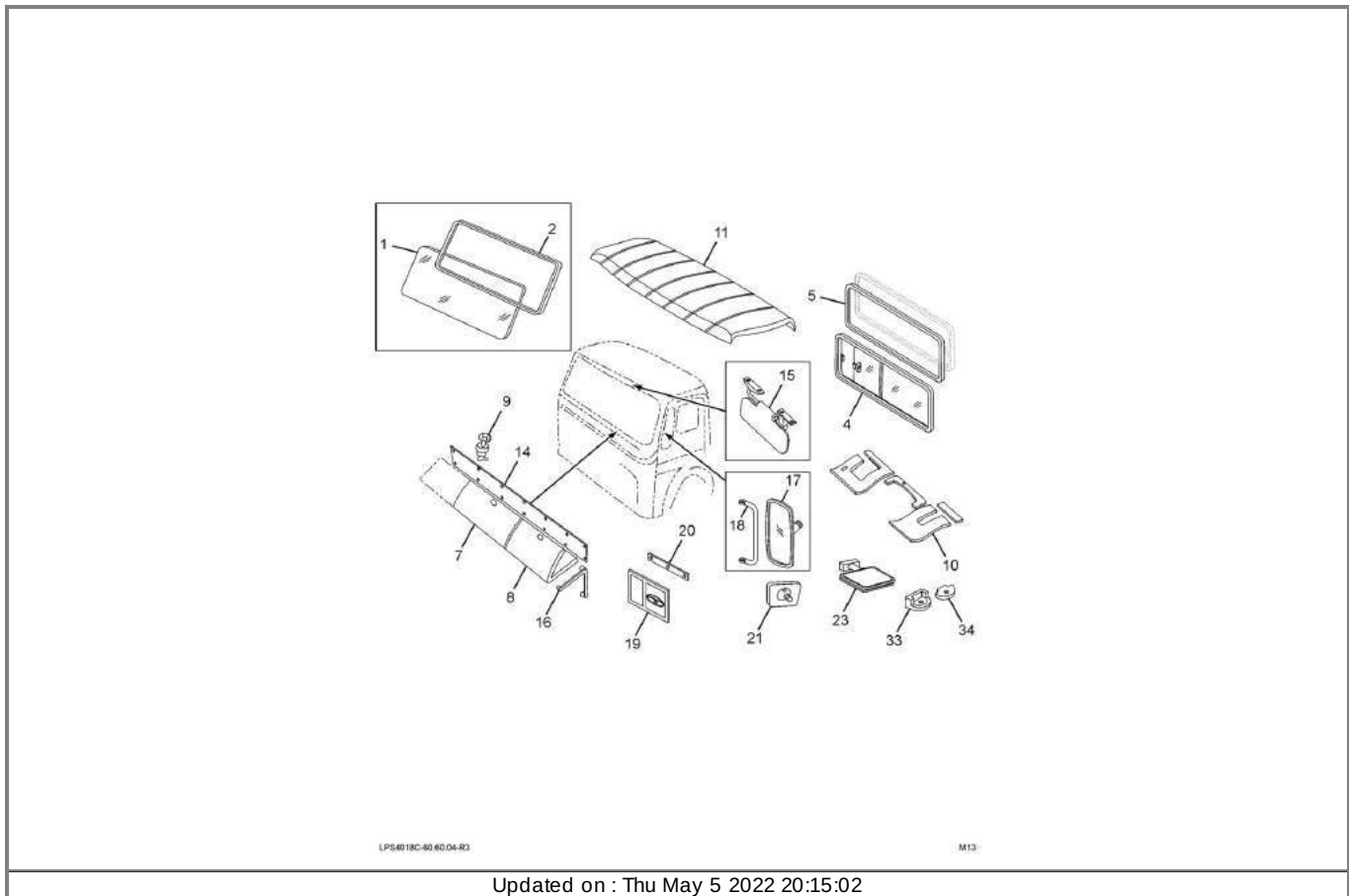
LPS4018C-60.60.03

A08

Updated on : Thu May 5 2022 20:15:02

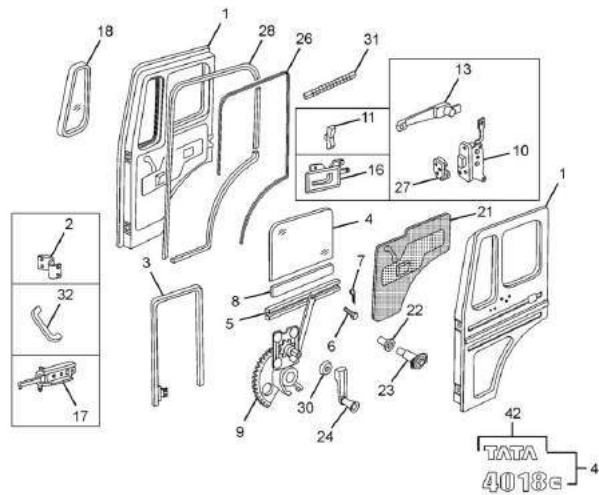
VC No : 20820132000R Group : (60) BODY Table : (60.60.04-CAB FITMENTS)

Fig.	Part No	Part Description	Qty	Remarks
1	257667102316	WINDSHIELD GLASS (1 PIECE) BS1/2/3/4	1	
2	257667106336	RUBBER MOULD(WIND SCREEN) BS1/2/3/4	1	
	257667100120	ASSY SIDE WINDOW COMPLETE-LH	1	
	257667100119	ASSY SIDE WINDOW COMPLETE-RH	1	
	257667106338	RUBBER MOULD KEY LESS (SIDE WINDOW)	2	
4	265167100101	ASSY. REAR WINDOW COMPLETE BS1/2/3/4	1	
5	257667106339	RUBBER MOULD REAR WINDOW	1	
7	268068900109	LID CENTRE GLOVE BOX	1	
8	268068900108	LID SIDE GLOVE BOX	1	
	275162600124	ASSY HINGE(DASH BOARD LIDS)	4	
9	350598080103	ASSY LOCK WITH KEY (GLOVE BOX)	2	
10	284168400101	ASSY COMPOSITE FLOOR MAT	1	
11	257669500102	ASSY ROOF LINING	1	
14	257569200101	ASSY PADDING(DASH BOARD)	1	
15	257581100101	ASSY SUNVISOR RH	1	
15	257581100102	ASSY SUNVISOR LH	1	
16	257681500119	ASSY GRAB HANDLE (DASH BOARD)	2	
17	257681100152	ASSY. ORVM RH BS1/2/3/4/6	1	
17	257681100153	ASSY. ORVM LH BS1/2/3/4/6	1	
18	257681100106	ASSY TUBULAR FRAME (REAR VIEW MIRROR)	2	
21	268081100125	ASSY. CLOSE PROXIMITY MIRROR BS1/2/3/4	1	
23	274781100119	ASSY. ORVM WIDE ANGLE BS1/2/3/4	1	
33	257681103301	BRACKET(LOWER) TOP MTG (REAR VIEW MIRROR)	2	
34	257681103302	BRACKET(LOWER) BOTTOM MTG (REAR VIEW MIRROR)	2	
19	284188106305	MUD FLAP REAR	2	



VC No : 20820132000R Group : (60) BODY Table : (60.72.01-DOOR AND FITMENTS)

Fig.	Part No	Part Description	Qty	Remarks
1	25767220016535	ASSY. DOOR SHELL LH + CED BS1/2/3/4	1	
1	25767220015935	ASSY. DOOR SHELL RH + CED BS1/2/3/4	1	
2	257672300152	ASSY HINGE COMPLETE	4	
3	257672500148	ASSY. FRAME COMP. REG.WINDOW BS1/2/3/4/6	2	
4	257672502303	GLASS PANE REG. WINDOW BS1/2/3/4/6	2	
5	257672500143	ASSY DOOR GLASS HOLDER	2	
6	257672506716	PIN (GLASS HOLDER)	4	
7	13150606149	SPLIT PIN 2X14	4	
8	257672502512	RUBBER PROFILE	2	
9	265172500130	WINDOW REGULATOR LH BS1/2/3/4/6	1	
9	265172500131	WINDOW REGULATOR RH BS1/2/3/4/6	1	
10	265172300111	ASSY. DOOR LOCK COMP. LH BS1/2/3/4/6	1	
10	265172300112	ASSY. DOOR LOCK COMP. RH BS1/2/3/4/6	1	
11	257672315602	KNOB	2	
13	265172300139	ASSY. OUTER DOOR HANDLE RH BS1/2/3/4	1	
13	265172300134	DOOR HANDLE OUTER LH	1	
16	350272300113	ASSY HANDLE INNER DOOR RH	1	
16	350272300112	ASSY HANDLE INNER DOOR LH	1	
17	257672300153	ASSY DOOR CHECK	2	
18	257672500146	TURNING WINDOW COMPLETE LH	1	
18	257672500147	TURNING WINDOW COMPLETE RH	1	
	206098709903	RUBBER PROFILE (TURNING WINDOW)	1	
21	257572700102	ASSY. DOOR PADDING LH BS1/2/3/4	1	
21	257572700101	ASSY. DOOR PADDING RH BS1/2/3/4	1	
22	265472706310	DOOR PAD CLIP (TOP CAB)	24	

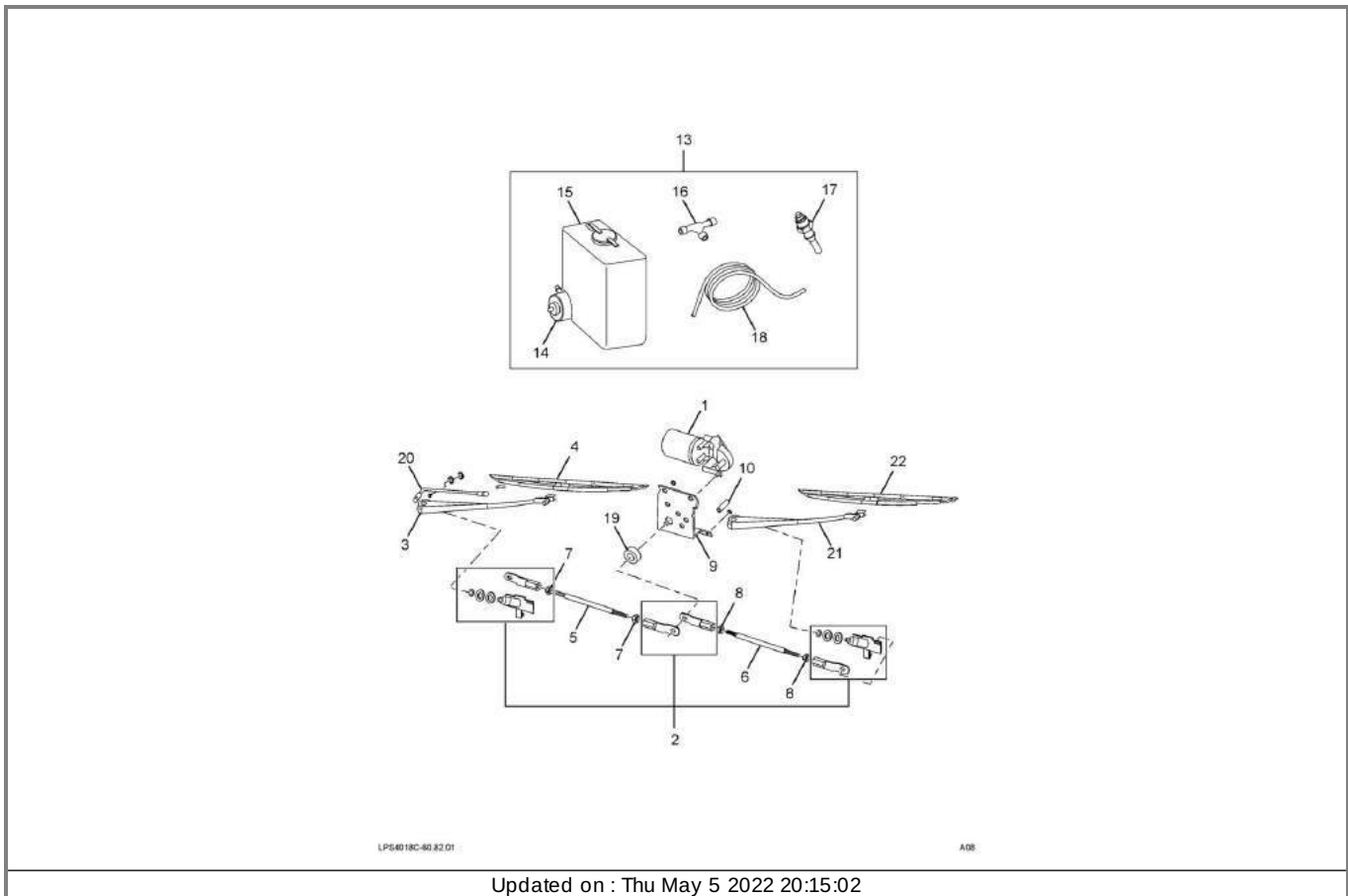


LPS4018C-40 72 01

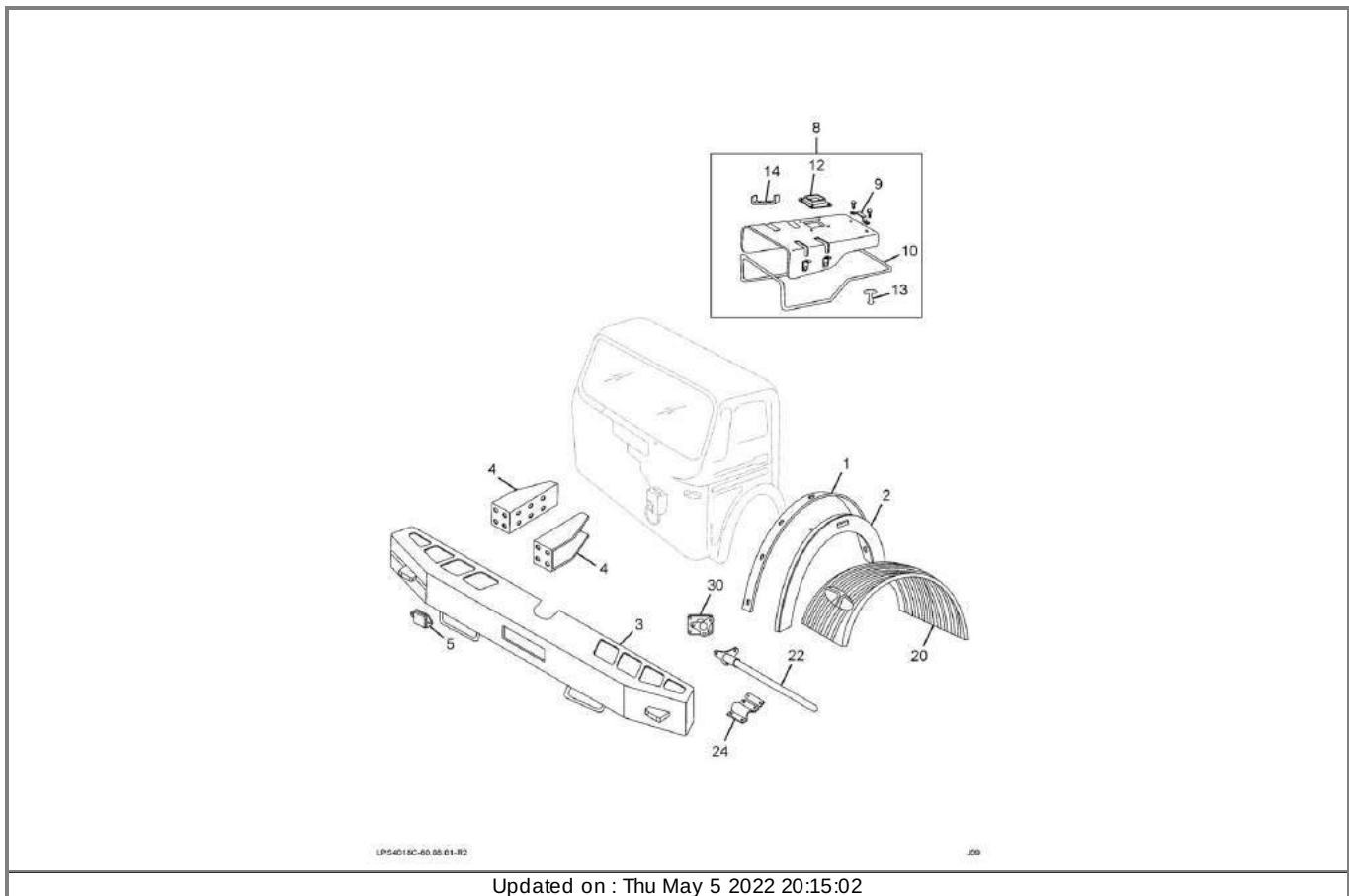
A08

Updated on : Thu May 5 2022 20:15:02

VC No : 20820132000R Group : (60) BODY Table : (60.82.01-WIPER ARRANGEMENT)				
Fig.	Part No	Part Description	Qty	Remarks
1	284182409901	WIPER MOTOR. 17W, 24V (HI-POWER)	1	
	276782400102	ASSY. WIPER BLADE & SUP. ARM(RHD) BS1- 6	1	
3	257682400125	ASSY WIPER ARM (DRIVER)	1	
4	257682400128	ASSY. WIPER BLADE (DRIVER) BS1/2/3/4/6	1	
20	257682400126	ASSY SUPPORT ARM	1	
	276782400103	ASSY. WIPER ARM & BLADE (CODRIVER) BS1-6	1	
21	257682400127	ASSY WIPER ARM (CODRIVER)	1	
22	257682400129	ASSY. WIPER BLADE CO-DRIVER BS1/2/3/4/6	1	
5	276782409902	LINK ROD (440 MM)	1	
6	257682409905	LINK ROD (205MM)	1	
7	12080801007	HEX THIN NUT M10	2	
8	12080899023	HEX THIN NUT M10 LH	2	
9	276782408201	BRACKET MOTOR MOUNTING	1	
19	0009971881J	RUBBER GROMMET	4	
10	0429920020J	SLEEVE	4	
	350582049201	WASHER(FOR WIPER MOTOR MTG BRACKET)	4	
	265182409952	BALL PIN	1	
	265182407501	RUBBER WASHER	1	
2	276782400101	KIT-ACCESSORIES WIPER BS1/2/3	1	
	-----	WIPER MOTOR CONNECTOR	1	
	-----	LINK END ASSY RH	2	
	-----	LINK END ASSY LH	2	
	-----	SPACER	2	
	-----	WHEEL BOX	2	
13	265182400106	KIT ELECTRICAL WINDSHIELD WASHER CONSISTS OFF :	1	



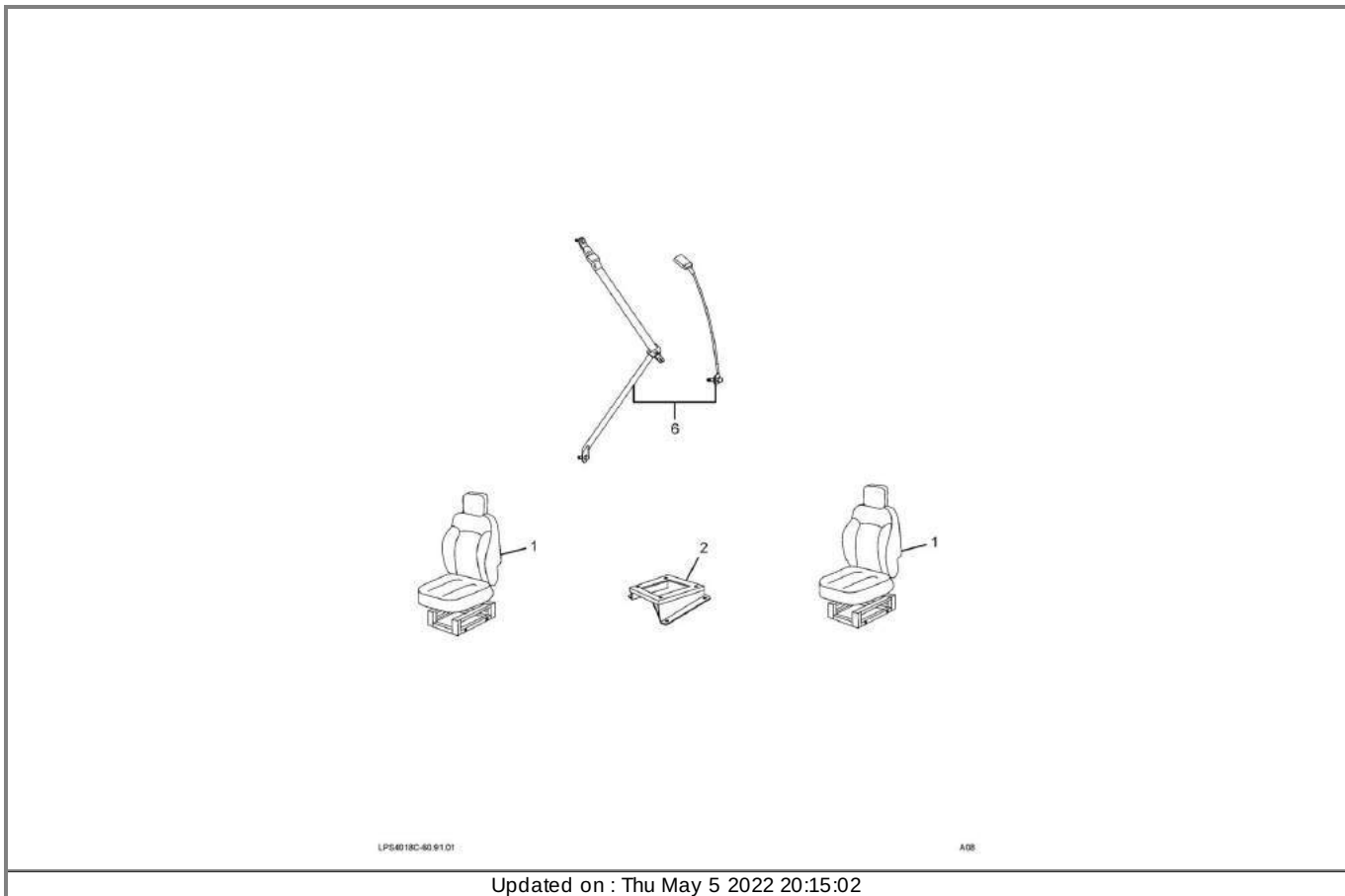
VC No : 20820132000R Group : (60) BODY Table : (60.88.01-BUMPER, ENGINE HOOD, FENDER, WHEEL ARCH)				
Fig.	Part No	Part Description	Qty	Remarks
1	284188107701	BEADING FENDER LH	1	
1	284188107702	BEADING FENDER RH	1	
2	284188106303	FENDER TRIM LH BS1/2/3/4	1	
2	284188106304	FENDER TRIM RH BS1/2/3/4	1	
3	275188500115C0	ASSY. BUMPER W/BLACK REFLECT. BS1/2/3/4	1	
4	257688500135	ASSY. BRACKET RH BUMPER SUPPORT BS1- 4	2	
5	257354410137	ASSY REFLECTOR	2	
8	284188700101	ASSY. ENGINE HOOD COMP. BS1/2/3/4/6	1	
9	257388706306	GRAB HANDLE	2	
10	259288707704	SEALING RBR ENGINE HOOD BS1/2/3/4/6	1	
12	275126800152	ASSY BASE PLATE	1	
14	259288708203	CLAMPING PLATE(E/HOOD BASE PLATE)	2	
	275188708201	CLAMPING PLATE(HEAT INSULATION)	10	
13	259288700103	ASSY TOGGLE CLAMP (ENGINE HOOD)	4	
	260188700103	ASSY NUT PLATE (E/HOOD TOGGLE CLAMP)	4	
20	208252206301	WHEEL ARCH REAR LH BS1/2/3/4	1	
20	208252206302	WHEEL ARCH REAR RH BS1/2/3/4	1	
22	208252200103	ASSY BKT.LH FRT(REAR WHEEL ARCH MTG.)	1	FOR WHEEL ARCH PART NO 2082522
22	208252200101	ASSY BKT LH REAR COMPLETE	1	FOR WHEEL ARCH PART NO 2082522
22	208252200104	ASSY BKT.RH FRT(REAR WHEEL ARCH MTG.)	1	FOR WHEEL ARCH PART NO 2082522
22	208252200102	ASSY BKT RH REAR COMPLETE	1	FOR WHEEL ARCH PART NO 2082522
24	284152204201	CLAMP(REAR MUD GUARD MTG.)	8	
-	-	ASSY PLATE REAR WHEEL ARCH MOUNTING	16	
30	-	ASSY SPACER FRT LH -(REAR WH ARCH MTG)	1	NOT SERVICEABLE
30	-	ASSY SPACER FRT RH (REAR WH ARCH MTG)	1	NOT SERVICEABLE



Updated on : Thu May 5 2022 20:15:02

VC No : 20820132000R Group : (60) BODY Table : (60.91.01-SEAT AND SEAT BELTS)

Fig.	Part No	Part Description	Qty	Remarks
1	265191000131	DRIVER SEAT ASSY W/HEAD REST-RHD(HARITA)	2	
2	257691700133	ASSY SEAT STAND	2	
6	275491500116	ASSY. SEAT BELT COMPLETE DRIVER BS1-6	1	



Updated on : Thu May 5 2022 20:15:02