



Commercial Vehicle Business Unit

Product Spare Parts Catalogue

Model	SFC 407 RHD, PICK-UP, SINGLE TYRE, CABIN, LB, 27WB, BS-II, W/O LB
Model Category	LCV-I : (4 TONS TO 6 TONS)
VC No	26525527000R
Chassis Type	357104
Engine Type	497 SP TC BS-II
Fuel Type	



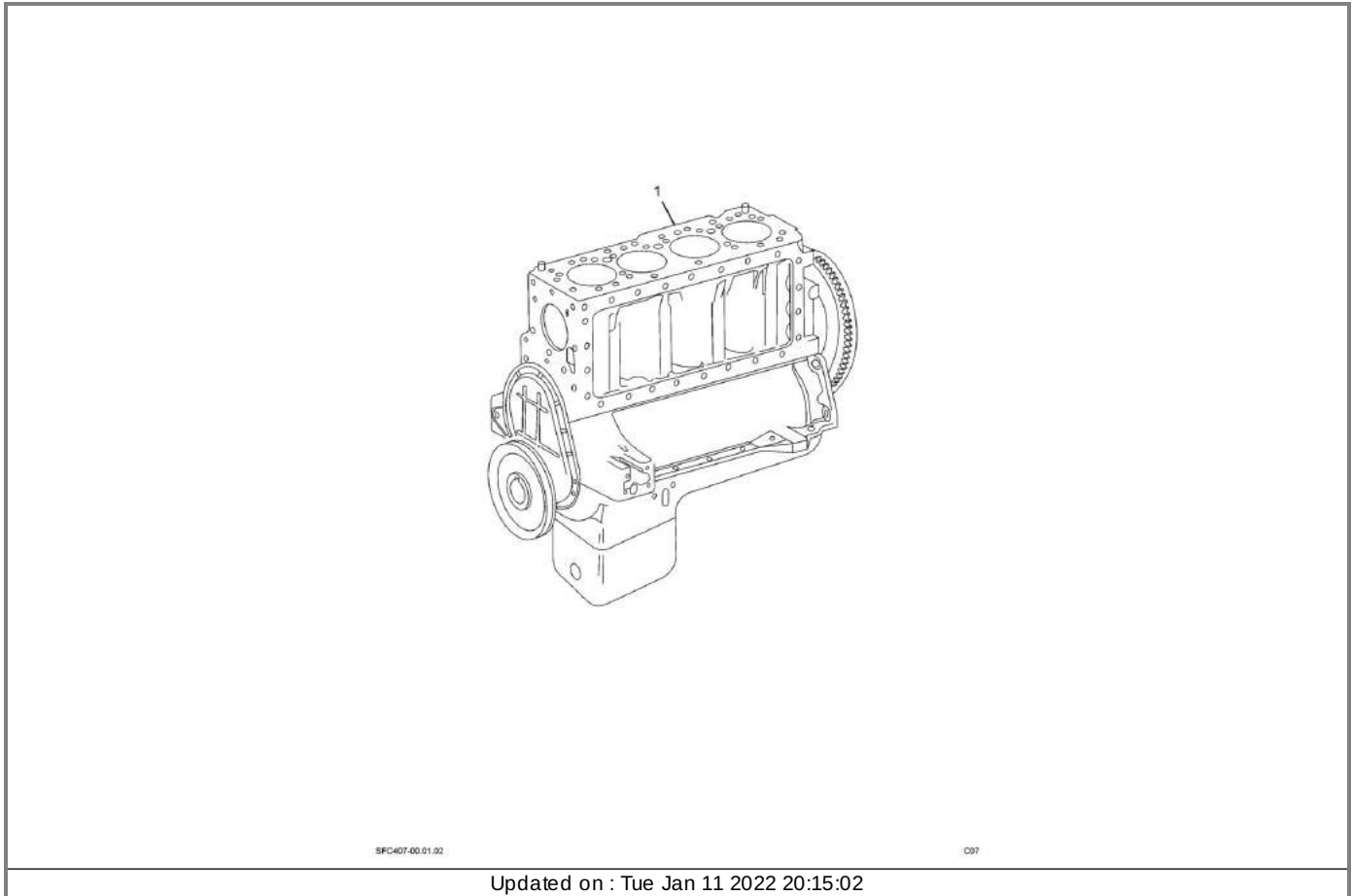
Updated on: Tue Jan 11 2022 20:15:02

Table Of Contents

Table Of Contents	1
ENGINE	3
2534131300R.01-ENGINE 4SP TC BSII SFC 407	3
2534131300R.02-HALF BLOCK AND LONG BLOCK	4
2534131300R.03-ENGINE OVERHAULING GASKET KIT	5
2534131301R.01-CYLINDER BLOCK	8
2534131301R.02-CYLINDER HEAD AND COVER	10
2534131303R.01-MOVING PARTS	12
2534131305R.01-ENGINE TIMING	16
2534131307R.01-FUEL INJECTION EQUIPMENT	18
2534131307R.02-INJECTOR	19
2534131309R.01-FUEL FILTER	20
2534131309R.02-FUEL FILTER (MICO)	21
2534130113R.01-AIR SUCTION UNIT	22
2534131314R.01-EXHAUST MANIFOLD & TURBOCHARGER	24
2534131015R.01-STARTER AND ALTERNATOR	26
2534131318R.01-OIL PUMP	27
2534131318R.02-ENGINE LUBRICATION (OIL COOLER)	29
2534131320R.01-WATER PUMP	30
2534131321R.01-AIR INTAKE SYSTEM (9M3 A/F) FLEETGUARD	33
2651013124R.01-ENGINE SUSPENTION	34
2651053125R.01-CLUTCH	35
GEARBOX	37
2515023426R.01-GEAR BOX (HOUSING)	37
2515023426R.02-GEAR BOX (TOP COVER)	39
2515023426R.03-GEAR SHAFTS AND GEARS	41
CONTROLS	45
2651013129R.01-CLUTCH & BRAKE CONTROL	45
2651013129R.02-REPAIR KITS FOR CMC AND CSC	46
ACCELERATOR	48
2651513130R.01-ACCELERATOR CONTROL	48
FRAME	49
2652542731R.01-FRAME	49
SUSPENSION	50
2652163132R.01-FRONT SPRING AND SUSPENSION	50
2652163132R.02-REAR SPRING AND SUSPENSION	51
2652163132R.03-FRONT SHOCK ABSORBER	52
2652163132R.04-REAR SHOCK ABSORBER	53
2652163132R.05-FRONT ANTIROLL BAR	54
FRONT AXLE	55
2651013133R.01-FRONT AXLE	55
2651013133R.02-FRONT WHEEL BRAKES	59
REAR AXLE	61
2665040235R.01-REAR AXLE (SINGLE TYRE)	61
2665040235R.02-REAR AXLE (SINGLE TYRECHINA BEAM)	65
2665040235R.03-REAR WHEEL BRAKES	69
WHEELS	71
2652542740R.01-WHEEL AND SPARE WHEEL CARRIER	71
PROPELLER SHAFT	72
2651872741R.01-PROPELLER SHAFT	72
2651872741R.02-PROPELLER SHAFT	74
BRAKES	75
2652542743R.01-TANDEM MASTER CYLINDER (SFC 407)	75
2652542743R.02-VACUUM BOOSTER	77
2652542743R.03-BRAKE PIPE LINES RHD	78
2652542743R.04-PARKING BRAKE	79
STEERING	80
2651203146R.01-STEERING LINKAGE	80
2651203146R.02-STEERING GEAR BOX	81
FUEL SYSTEM	83
2652542747R.01-FUEL SYSTEM	83
EXHAUST SYSTEM	84

2652542749R.01-EXHAUST SYSTEM	84
RADIATOR	85
2534131050R.01-RADIATOR	85
ELECTRICALS	86
2722218154R.01-ELECTRICAL EQUIPMENT SFC 407,2750WB, W/O LB	86
2722218154R.02-WIRING HARNESS	88
2722218154R.03-BATTERY CABLE AND BATTERY FITMENT	89
BODY	90
2674220160R.01-ASSY. CAB COMPLETE	90
2674220160R.02-SHEET METAL PARTS	91
2674010167R.01-WIND SHIELD GLASS	92
2674220168R.01-DASH BOARD (RHD)	93
2674220168R.02-INSIDE LINING	94
2228012770R.01-SUPD FOR SFC 407,2750WB W/O LOAD BODY	95
2674220172R.01-DOOR	96
2674220172R.02-DOOR LOCKS AND HANDLES	97
2674220172R.03-DOOR GLASS AND WINDOW WINDING	98
2674220181R.01-INTERNAL AND EXTERNAL FITMETS	100
2651013182R.01-WINDSHIELD WIPING AND WASHING SYSTEM	102
2674010183R.01-CAB VENTILATION	104
2674010988R.01-CENTRE BONNET	105
2674010988R.02-CENTRE BONNET LOCK	106
2674010988R.03-BUMPER AND ENGINE HOOD	107
2674010189R.01-CAB MOUNTING	108
2674220194R.01-DRIVER AND CO DRIVER SEAT	109
2674220194R.02-SEAT BELTS	110

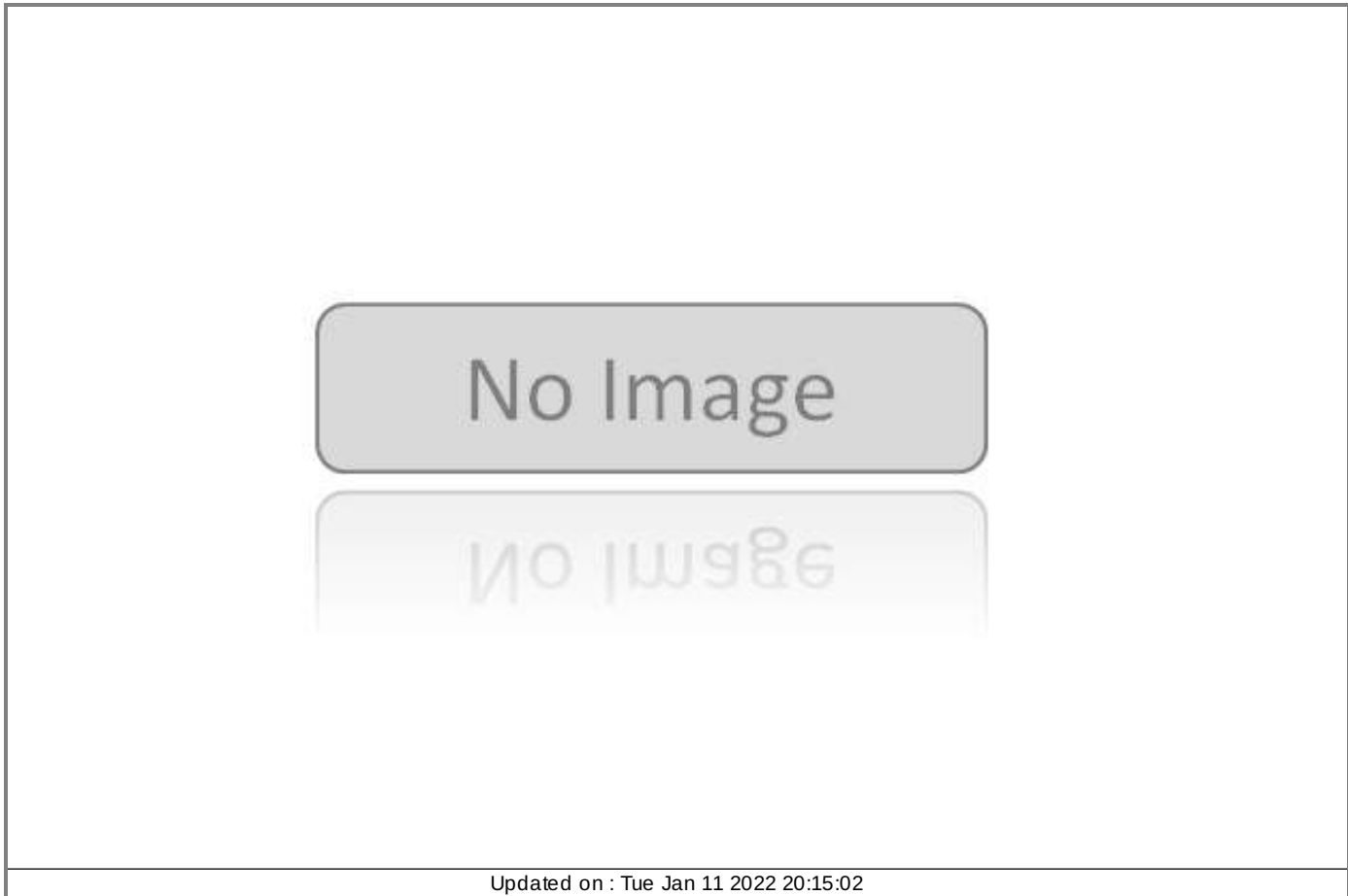
VC No : 26525527000R Group : (00) ENGINE Table : (2534131300R.02-HALF BLOCK AND LONG BLOCK)				
Fig.	Part No	Part Description	Qty	Remarks
	-----	HALF BLOCK		
1	253401990284	ASSY HALF BLOCK(SFC 407 BS-II)	1	
	-----	LONG BLOCK		
	253401990283	ASSY LONG BLOCK(SFC 407 BS-II)	1	



Updated on : Tue Jan 11 2022 20:15:02

VC No : 26525527000R Group : (00) ENGINE Table : (2534131300R.03-ENGINE OVERHAULING GASKET KIT)

Fig.	Part No	Part Description	Qty	Remarks
	253401990250	ENGINE OVERHAUL GASKET KIT CONSISTING OF :	1	
	-----	SEALING WASHER 6X10	1	
	-----	SEALING WASHER 12X15.5	2	
	-----	SEALING WASHER 14X18	5	
	-----	SEALING WASHER 18X22	1	
	-----	SEALING WASHER 22X27	3	
	-----	SEALING WASHER 26X32	1	
	-----	SEALING WASHER A8X12	4	
	-----	SEALING WASHER 8X11.5	6	
	-----	SEALING WASHER 8X14	4	
	-----	SEALING WASHER 10X14	4	
	-----	SEALING WASHER 12X15.5	2	
	-----	SEALING WASHER 14X18	6	
	-----	SEALING WASHER 16X20	2	
	-----	SEALING WASHER 18X22	1	
	-----	SEALING WASHER 16X20-CU	1	
	-----	O-RING 6.00X1.80	1	
	-----	SEALING RING HALF	2	
	-----	SEAL CRANKSHAFT FRONT	1	
	-----	SEALING WASHER	4	
	-----	GASKET (AC HEAD TO CYL SLEEVE)	1	
	-----	GASKET	2	
	-----	GASKET EXHAUST MANIFOLD	1	
	-----	GASKET	2	
	-----	GASKET CYLINDER SLEEVE CYL BLOCK	1	



Updated on : Tue Jan 11 2022 20:15:02

VC No : 26525527000R Group : (00) ENGINE Table : (2534131300R.03-ENGINE OVERHAULING GASKET KIT)

Fig.	Part No	Part Description	Qty	Remarks
-----		ASSY GASKET OIL SUMP	1	
-----		GASKET (TGH COVER)	1	
-----		GASKET CYL HEAD COVER	1	
-----		CYLINDER HEAD GASKET	1	
-----		GASKET- PUSH ROD CHAMBER COVER	1	
-----		GASKET TIMING GEAR HOUSING.	1	
-----		GASKET (FOR SUPPORT INJ.PUMP)	1	
-----		GASKET (FIP TO SUPPORT)	1	
-----		GASKET (T C TO INTERMEDIATE PIPE)	1	
-----		GASKET-EXH.MANIFOLD TO TURBO CHARGER	1	
-----		CYLINDER HEAD GASKET	1	
-----		GASKET (EXH.MANIFOLD TO TURBOCHARGER)	1	
-----		GASKET (TC TO INT PIPE)	1	
-----		GASKET (OIL FILTER TO CYL BLOCK)	1	
-----		GASKET (OIL COOLER)	1	
-----		GASKET (TC OUTLET)	1	
-----		GASKET	1	
-----		GASKET	1	
-----		OIL SEAL	1	
-----		O RING FOR OIL PIPE	1	
-----		GASKET	1	
-----		GASKET	1	
-----		GASKET WATER PUMP	1	
-----		SEALING PLUG	1	
-----		GASKET REAR M B CAP & COVER TGH	2	

No Image

No Image

Updated on : Tue Jan 11 2022 20:15:02

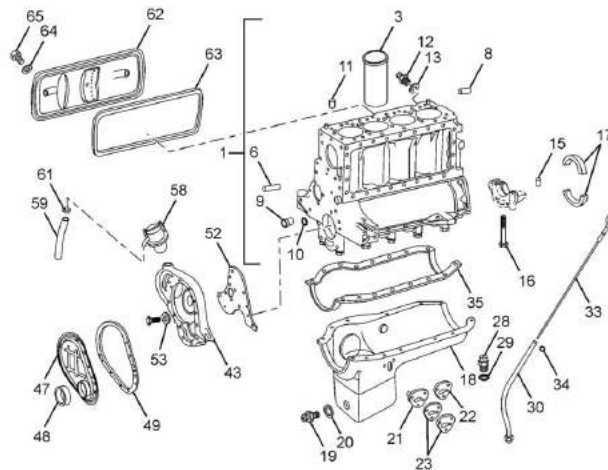
VC No : 26525527000R Group : (00) ENGINE Table : (2534131300R.03-ENGINE OVERHAULING GASKET KIT)				
Fig.	Part No	Part Description	Qty	Remarks
	-----	GASKET	2	
	253401990242	DECARBONISING GASKET KIT CONSISTING OF :	1	
	-----	GASKET-CYL.HEAD:NON-RETORQUE	1	
	-----	GASKET CYL HEAD COVER	1	
	-----	GASKET EXH MANIFOLD	1	
	-----	GASKET-EXH.MANIFOLD TO TURBO CHARGER	1	
	-----	GASKET (TC TO INTERMEDIATE PIPE)	1	
	-----	GASKET (EXH.MANIFOLD TO TURBOCHARGER)	1	
	-----	GASKET (TC TO INT PIPE)	1	

No Image

No Image

VC No : 26525527000R Group : (00) ENGINE Table : (2534131301R.01-CYLINDER BLOCK)

Fig.	Part No	Part Description	Qty	Remarks
1	253401100176	ASSY CYLINDER CRANKCASE WITHOUT CLUTCH HOUSING	1	
3	253401103712	CYLINDER LINER	4	
6	3219920025	CLAMPING SLEEVE CYLINDER BLOCK	1	
	3121881135P	SLEEVE CYL BLOCK	1	
8	13050910304	CYLINDER PIN 12 H 8X30	2	
9	253401107201	PLUG (OIL GALLERY)	2	
10	16220710240	WASHER 16X20 CU	2	
	3219970020	LOCKING COVER	1	
11	3129910260	CYLINDER PIN (CYLINDER HEAD TO CYLINDER BLOCK)	2	
12	16081001808	SEALING PLUG AM18X1.5	1	
13	16220710282	SEALING WASHER 18X22 IS3175 CU	1	
15	13050508166	CYLINDER PIN 8 M 6X16	2	
16	252301103201	MAIN BEARING CAP BOLT	10	
18	253401130129	ASSY OIL SUMP	1	
19	253401130111	ASSY MAGNETIC DRAIN PLUG	1	
20	16220710282	SEALING WASHER 18X22 IS3175 CU	1	
21	252301133703	FLANGE OIL SUMP DIPSTICK	1	
22	252301133702	RETAINING FLANGE ON OIL SUMP	1	
23	252701145315	GASKET (BRACKET TO OIL SUMP) BSIV	2	
28	252301178501	DOUBLE SOCKET	1	
29	16220510216	SEALING WASHER 14X18 IS3175 AL	1	
	252301130114	ASSY COMBI SCREW	12	
30	253401170102	ASSY TUBE DIPSTICK COMPLETE	1	
	-	ASSY BRACKET (DIPSTICK TUBE MTG.)	1	NOT SERVICED
33	253401170103	ASSY OIL DIPSTICK COMPLETE	1	



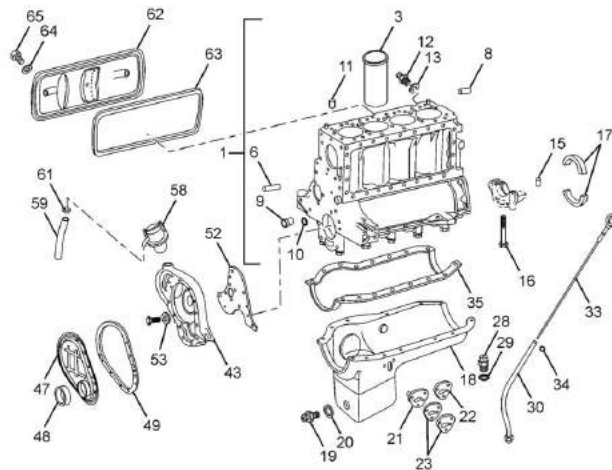
SFC407-00 01 04B

097

Updated on : Tue Jan 11 2022 20:15:02

VC No : 26525527000R Group : (00) ENGINE Table : (2534131301R.01-CYLINDER BLOCK)

Fig.	Part No	Part Description	Qty	Remarks
34	17050500101	O RING 6X1.80	1	
35	253401130124	GASKET OIL SUMP TO CYL BLOCK BS2/3/4	1	
	11632496011	STUD BM8X20	2	
43	253401140157	ASSY TGH WITH THREAD INSERTS:4SP BSII/III	1	
-	13050508166	CYL PIN 8M6X16	2	
-	13050909250	CYL PIN 10H8X25	2	
47	252701143706	FRONT COVER TIMING GEAR HOUSING	1	
48	253403107801	SEAL CRANKSHAFT FRONT BS1/2/3/4	1	
49	252701145312	TGH COVER GASKET	1	
52	253401145305	GASKET TIMING GEAR HOUSING	1	
53	3129940310	LOCKING PLATE	3	
58	252301170122	BREATHER BS1/2/3/4	1	
59	252701175808	RUBBER HOSE (BREATHER)	1	
61	14285000255	HOSE CLAMP 25 IS4762 SS8451S2-Y	1	
62	253401140101	ASSY PUSH ROD CHAMBER COVER	1	
63	253401145308	GASKET PUSH ROD CHAMBER COVER	1	
64	16220710096	SEALING WASHER 8X11.5	2	
65	11064096020	HEX. BOLT M 8X40	2	



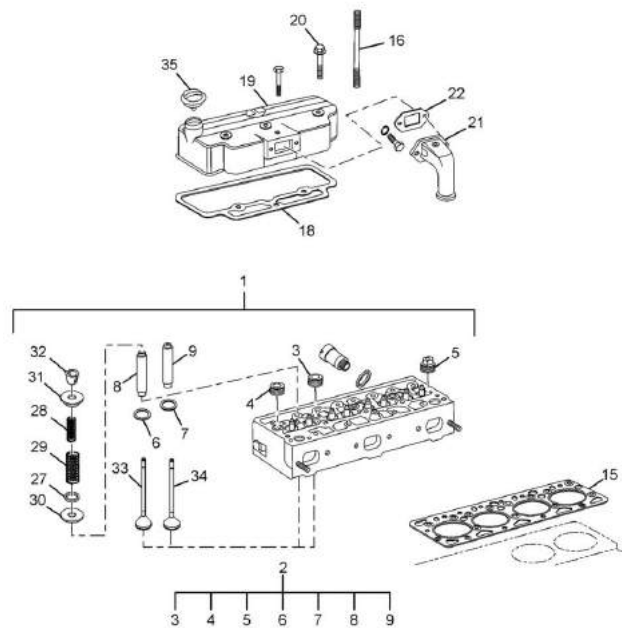
SFC407-00 01 04B

097

Updated on : Tue Jan 11 2022 20:15:02

VC No : 26525527000R Group : (00) ENGINE Table : (2534131301R.02-CYLINDER HEAD AND COVER)

Fig.	Part No	Part Description	Qty	Remarks
1	253401150232	ASSY CYL.HD.W.VALES(60 DEG INLET):4SPBS2	1	
2	253401150233	ASSY CYL. HEAD W/O VALES:4SP/497BS-II	1	
3	16081803009	PLUG MC 30X1.5	3	
4	16081802401	PLUG MC 24X1.5	2	
5	3120160061	SEALING PLUG	1	
	253401153204	SEAT PLUG (ON CYL.HEAD)	1	
	253405990121	SET VALVE SEAT RING CONSISTING OF :	1	
6	252501153433	VALVE SEAT RING INLET-NORMAL	4	
7	252501153410	VALVE SEAT-RING EXHAUST-NORMAL	4	
8	253405153402	VALVE GUIDE INLET STANDARD	4	
9	253405153415	VALVE GUIDE EXHAUST STANDARD	4	
15	252701155310	GASKET-CYL. HEAD -1.35MM THICK BS1- 4/6	1	FOR SELECTION IMPORTED GASKET
15	253401155317	CYL. HEAD GASKET NON-RETORQUE BS1/2/3	1	FOR SELECTION INDEGENOUS GASKE
16	3229900505	STUD BOLT CYLINDRICAL CRANKCASE	17	
18	252701155302	GASKET CYLINDER HEAD COVER BS2/3/4	1	
19	253401150197	ASSY.CYLINDER HEAD COVER 4SP	1	
20	253301153202	STRETCH PIN	3	
21	253401153829	AIR INTAKE ELBOW	1	FOR KKK/HONEYWELL TURBO
21	253401153830	AIR INTAKE ELBOW	1	FOR HOLSET TURBO
	252701159904	STRAIGHT REDUCER (497X128 TC EURO II)	1	
22	252701155325	GASKET WITH BEADING (AIR INTAKE ELBOW)	1	
27	-	SEAL VALVE GUIDE (INLET)	4	Serviced under higher Assy. 25
27	-	SEAL VALVE GUIDE (EXHAUST)	4	Serviced under higher Assy. 25
28	253405158701	VALVE SPRING (INNER)	8	
29	253405158702	VALVE SPRING (OUTER)	8	

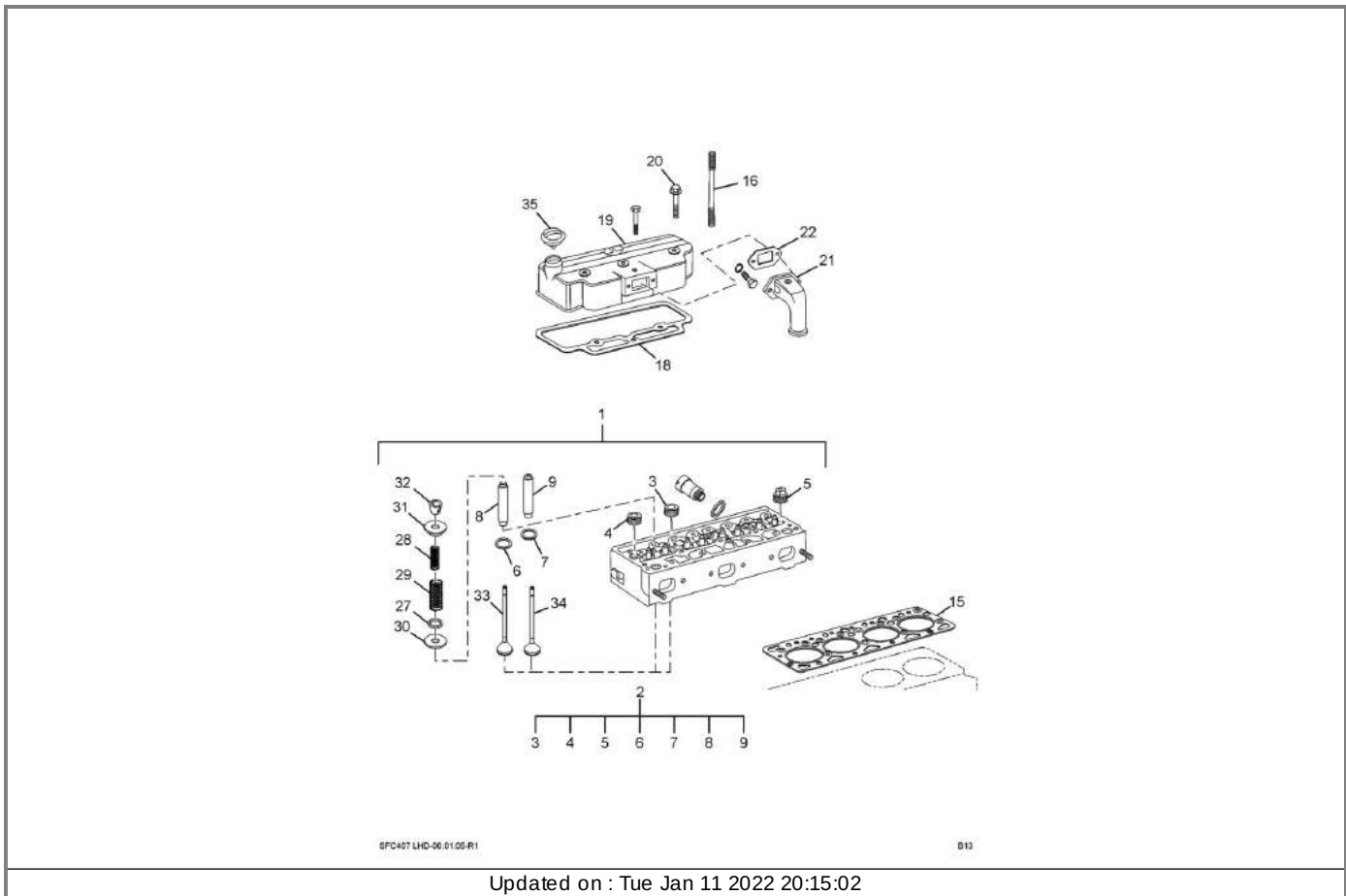


SFC407 LHD-00 01 05-R1

B13

Updated on : Tue Jan 11 2022 20:15:02

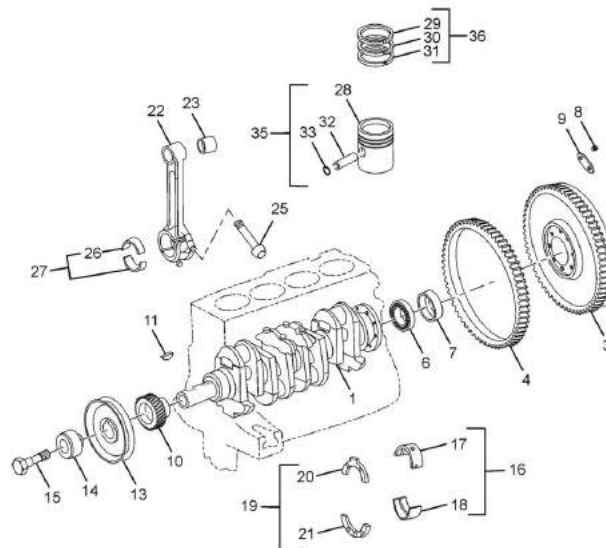
VC No : 26525527000R Group : (00) ENGINE Table : (2534131301R.02-CYLINDER HEAD AND COVER)				
Fig.	Part No	Part Description	Qty	Remarks
30	3529902040	VALVE SPRING WASHER	8	
31	252505155102	LOCK RETAINER VALVE SPRING	8	
32	3120530127	VALVE SPRING LOCK HALF	16	
	253405990122	SET-VALVES-INLET(60 DEG)/EXHAUST	1	
33	252505129018	INLET VALVE(60 DEG) BS1/2/3/4	4	
34	253405129014	EXHAUST VALVE	4	
35	253401150117	ASSY CAP (ON CYL. HEAD COVER)	1	
	254701155325	GASKET	1	



Updated on : Tue Jan 11 2022 20:15:02

VC No : 26525527000R Group : (00) ENGINE Table : (2534131303R.01-MOVING PARTS)

Fig.	Part No	Part Description	Qty	Remarks
1	253403100162	ASSY. CRANKSHAFT W/PIN ALLOY NORM BS1- 4	1	
3	253403110128	ASSY FLYWHEEL WITH RING GEAR	1	
4	253403115401	RING GEAR BS2/3	1	
	253403114801	CYLINDRICAL PIN	1	
6	253403103102	SRDG BALL BEARING	1	
7	3120310533	LOCKING RING CRANKSHAFT	1	
8	3129900301	HEX. HEAD BOLT	8	
9	3129940232	LOCKING PLATE	4	
10	3520520003	CRANKSHAFT GEAR	1	
11	13650510091	KEY 8X13	1	
	252503138201	OIL SLINGER	1	
	252703138603	SPACER (OIL SLINGER)	1	
13	253403137012	PULLEY-CRANKSHAFT	1	
14	252303138603	THRUST SPACER	1	
15	252303133202	VIBRATION DAMPER LOCK	1	
	-----	MAIN BEARINGS		
16	885403372534	SET-MAIN BEARING W/O T/W STD BS1/2/3/4	1	
17	-----	MAIN BEARING UPPER STD	5	
18	-----	MAIN BEARING LOWER STD	5	
16	885403392534	SET OF MAIN BEARING W/O THRUST WASHER RS I CONSISTING OF :	1	
17	-----	MAIN BEARING UPPER RS I	5	
18	-----	MAIN BEARING LOWER STD	5	
16	885403402534	SET OF MAIN BEARING W/O THRUST WASHER RS II CONSISTING OF :	1	
17	-----	MAIN BEARING UPPER RS II	5	
18	-----	MAIN BEARING LOWERRS II	5	



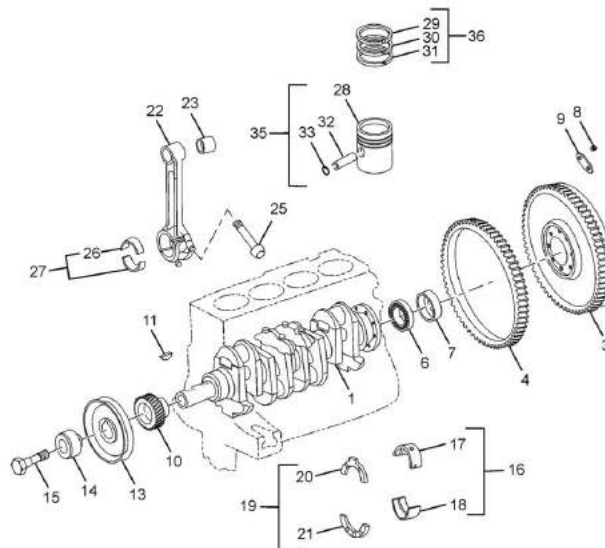
SFC407LHD-00.03.01

K07

Updated on : Tue Jan 11 2022 20:15:02

VC No : 26525527000R Group : (00) ENGINE Table : (2534131303R.01-MOVING PARTS)

Fig.	Part No	Part Description	Qty	Remarks
16	885403412534	SET OF MAIN BEARING W/O THRUST WASHER RS III CONSISTING OF :	1	
17	-----	MAIN BEARING UPPER RS III	5	
18	-----	MAIN BEARING LOWER RS III	5	
16	885403422534	SET OF MAIN BEARING W/O THRUST WASHER RS IV CONSISTING OF :	1	
17	-----	MAIN BEARING UPPER RS IV	5	
18	-----	MAIN BEARING LOWER RS IV	5	
19	885403492534	SET OF THRUST WASHER STD CONSISTING OF :	1	
20	-----	THRUST WASHER UPPER HALF STD	2	
21	-----	THRUST WASHER LOWER HALF STD	2	
19	885403502534	SET OF THRUST WASHER RS I CONSISTING OF :	1	
20	-----	THRUST WASHER UPPER HALF RS I	2	
21	-----	THRUST WASHER LOWER HALF RS I	2	
19	885403512534	SET OF THRUST WASHER RS II CONSISTING OF :	1	
20	-----	THRUST WASHER UPPER HALF RS II	2	
21	-----	THRUST WASHER LOWER HALF RS II	2	
	-----	PISTON AND RING SET		
35	885403682534	SET-BARE PISTON 4SPTC CMVR EURO1/2 BS2/3	1	SET A, OPTIONAL TO B. FOR VEHI
	-----	CONSISTING OF :		
28	-----	PISTON STD	4	
32	-----	PISTON PIN	4	
33	-----	CIRCLIP	8	
35	885403732534	SET OF BARE PISTON 4SPTC STD EURO I & II (SLIPPER)	1	SET B, OPTIONAL TO A. FOR VEHI
	-----	CONSISTING OF :		
28	-----	PISTON STD	4	
32	-----	PISTON PIN	4	



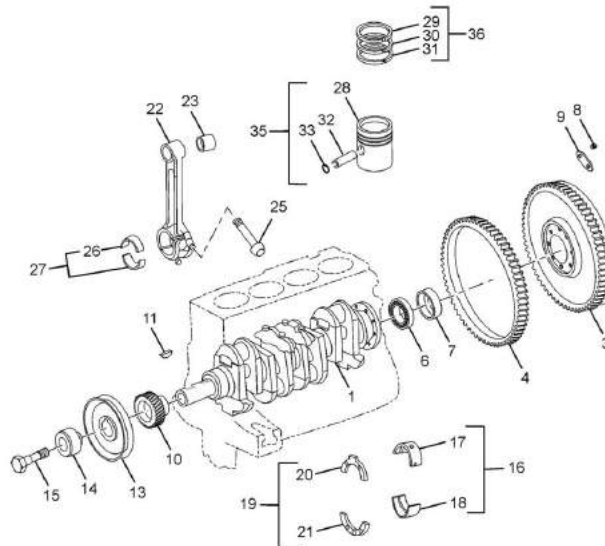
SFC407LHD-00 03 01

K97

Updated on : Tue Jan 11 2022 20:15:02

VC No : 26525527000R Group : (00) ENGINE Table : (2534131303R.01-MOVING PARTS)

Fig.	Part No	Part Description	Qty	Remarks
33	-----	CIRCLIP	8	
35	252703990169	BARE PISTON SET 497 BS2/3	1	FOR VEHICLES AFTER JUNE06
28	-----	PISTON: NORMAL II (96.89 DIA)	4	
32	-----	PISTON PIN	4	
33	-----	CIRCLIP	8	
36	885403742534	SET-PISTON RING (STD) 497 E1/2/3 BS1/2/3	1	FOR VEHICLES UPTO MAY06
	-----	CONSISTING OF :		
29	-----	DOUBLE TRAPEZE RING GR I	4	
30	-----	NAPIER RING GR II	4	
31	-----	ASSY OIL CONTROL RING	4	
36	253403990228	SET-PISTON RING 4SP BS1/2/3	1	FOR VEHICLES AFTER JUNE06
	-----	CONSISTING OF :		
29	252503149964	INTER.STEPPED KEYSTONE RING TOP	4	
30	252503149965	INTER STEPPED COMPRESSION RING	4	
31	252503140355	ASSY OIL CONTROL RING GROOVE III	4	
	-----	CONNECTING ROD		
22	253403150159	ASSY. CON-ROD W/BUSH/BOLT NORM BS1-6	4	
	885403522534	CON ROD BUSH SET STD CONSISTING OF :	1	
23	3520381150	CON ROD BUSH	4	
25	252503153204	CONNECTING ROD BOLT	8	
	-----	CONNECTING ROD BEARINGS		
27	885403432534	SET-CON. ROD BEARING - STD BS2/3/4	1	
26	-----	CON ROD BEARING STD	8	
27	885403452534	CON ROD BEARING SET RS I CONSISTING OF :	1	
26	-----	CON ROD BEARING RS I	8	



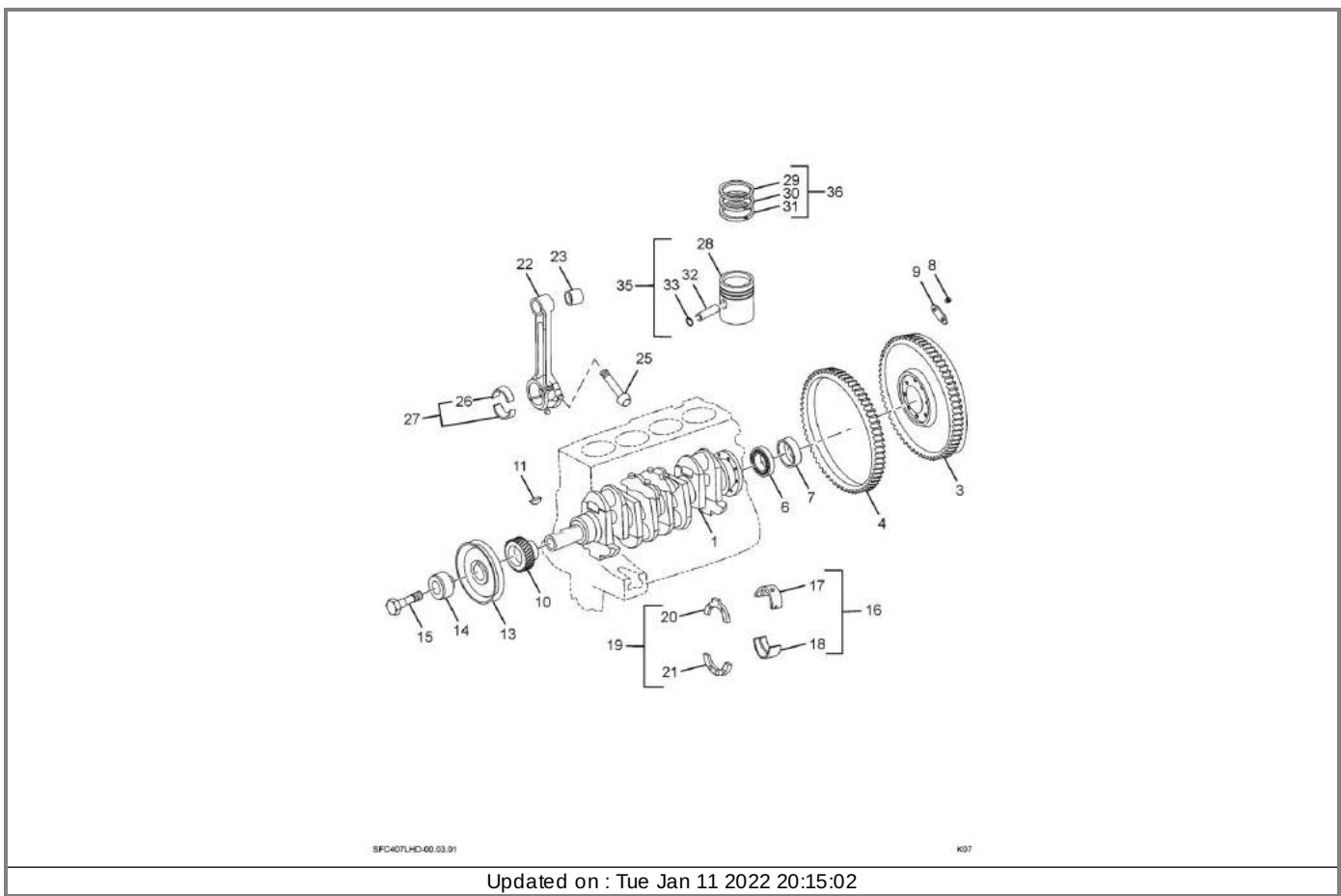
SFC407LHD-00.03.01

K97

Updated on : Tue Jan 11 2022 20:15:02

VC No : 26525527000R Group : (00) ENGINE Table : (2534131303R.01-MOVING PARTS)

Fig.	Part No	Part Description	Qty	Remarks
27	885403462534	CON ROD BEARING SET RS II CONSISTING OF :	1	
26	-----	CON ROD BEARING RS II	8	
27	253403990315	SET-BEARING,CONNECTING ROD	1	
26	-----	CON ROD BEARING RS III	8	
27	885403482534	CON ROD BEARING SET RS IV CONSISTING OF :	1	
26	-----	CON ROD BEARING RS IV	8	
-	-	KIT, CRANSHAFT SEALING RING HALF CONSISTING OF :	1	NOT SERVICED
-	885403012523	KIT-SEALING RING C/SFT W/LOC.PIN 92D/4SP	1	
-	-	CONSISTES OF		
-	-	SEALING RING HALF	2	
-	-	LOCATING PIN	2	



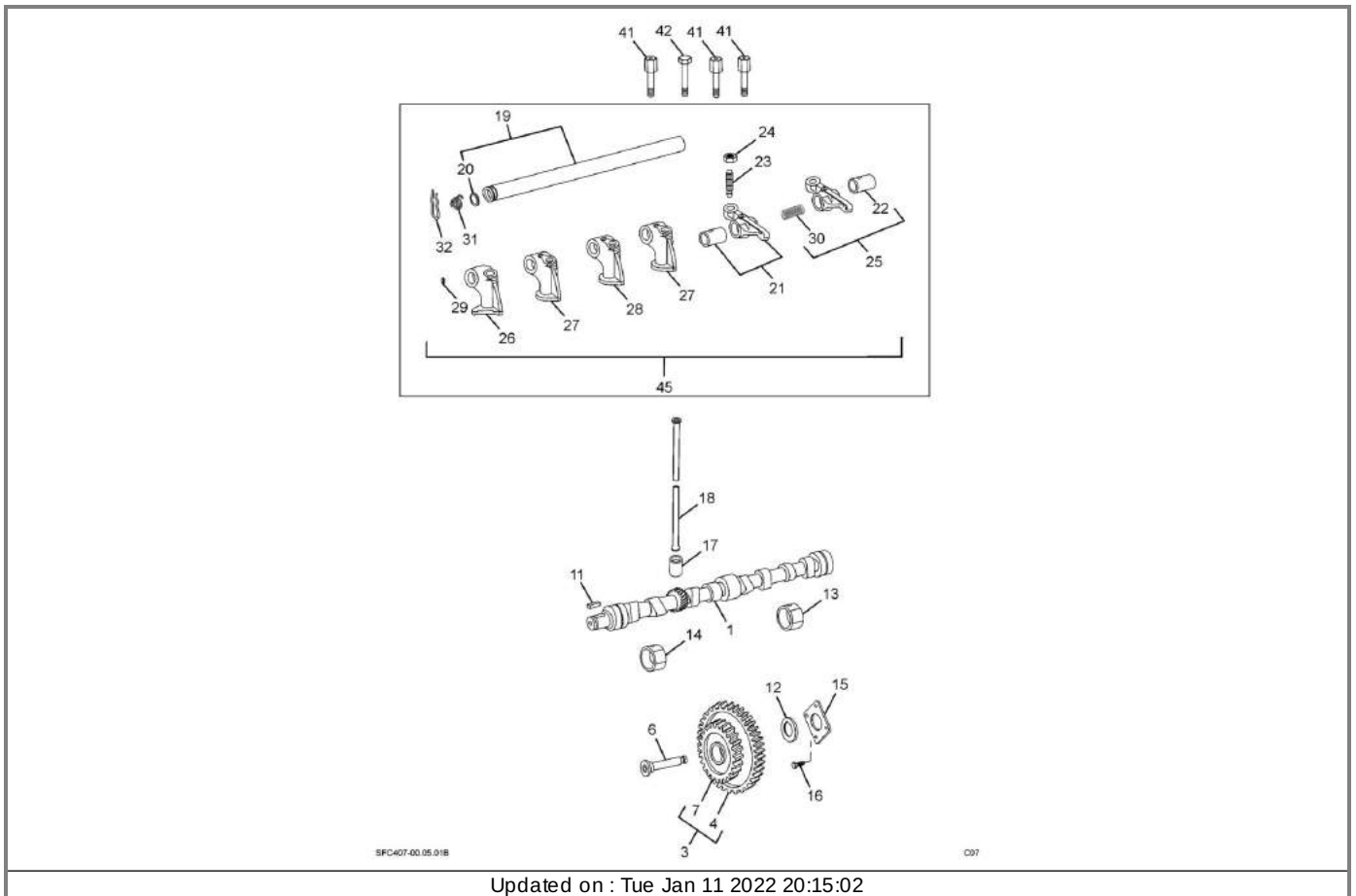
SFC407LHD-00.03.01

K07

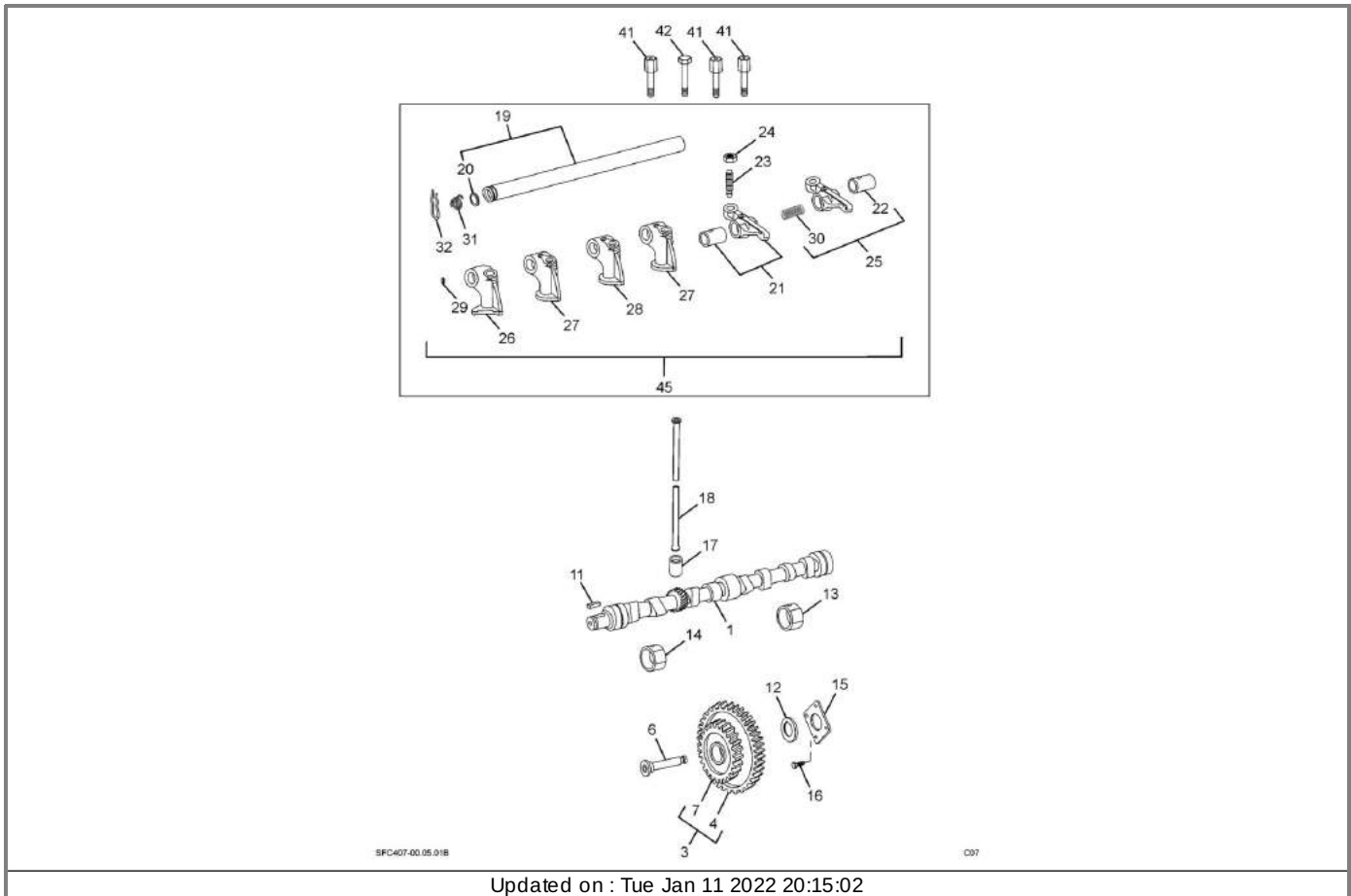
Updated on : Tue Jan 11 2022 20:15:02

VC No : 26525527000R Group : (00) ENGINE Table : (2534131305R.01-ENGINE TIMING)

Fig.	Part No	Part Description	Qty	Remarks
1	253405100119	ASSY. CAMSHAFT W/CYL PIN:NORM BS2/3/4/6	1	
	253405106701	CYL.PIN (CAM SHAFT)	1	
3	252707130134	ASSY CAMSHAFT GEAR AND DRIVE GEAR(FIP)	1	
4	252705115403	CAMSHAFT GEAR	1	
6	252505103201	BOLT (CAM SHAFT GEAR MTG)	1	
7	252707135401	DRIVE GEAR INJECTION PUMP	1	
11	252305105901	PARALLEL KEY	1	
12	3520510062	BUTTING RING	1	
	252305113101	CAMSHAFT BUSH	2	
15	3520520762	THRUST WASHER	1	
16	3129900004	HEX. SCREW	4	
17	253405139902	VALVE TAPPET INLET & EXHAUST BS1/2/3/4	8	
18	253405167901	PUSH ROD INLET AND EXHAUST 4SPCR BS3/4	8	
45	252705140101	ASSY ROCKER ARM SHAFT WITH ARMS	1	
19	252705147901	ASSY ROCKER ARM SHAFT	1	
20	17071001407	SEALING CAP 14	2	
21	3520501033	ASSY ROCKER ARM LEFT WITH BUSH	4	
25	3520500634	ASSY ROCKER ARM RIGHT WITH BUSH	4	
22	3120550050	BUSH	8	
23	252305146701	BALL END TAPPET ADJUSTER	8	
24	3129900251	HEX. NUT (BALL PIN ROCKER ARM)	8	
26	3520550610	ROCKER ARM SUPPORT NO. 1	1	
27	3520550410	ROCKER ARM SUPPORT NO. 2, 5, 6	2	
28	3520550510	ROCKER ARM SUPPORT NO. 3, 4	1	
29	11433206101	GRUB SCREW EM 6X10	4	

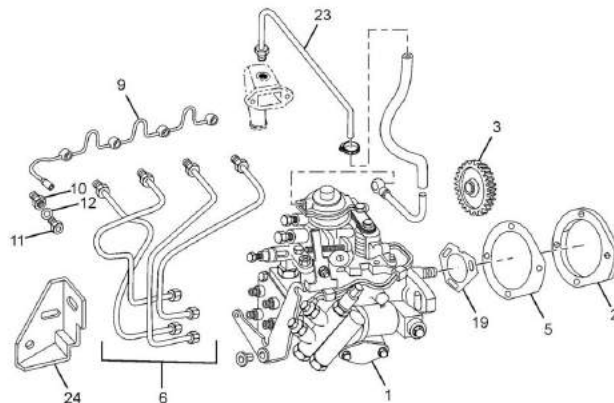


VC No : 26525527000R Group : (00) ENGINE Table : (2534131305R.01-ENGINE TIMING)				
Fig.	Part No	Part Description	Qty	Remarks
30	3129930701	SPRING LONG	3	
31	3129930005	SPRING SHORT	2	
32	-	SPRING CLIP	2	NOT SERVICEABLE
	3120550553	CONNECTING NIPPLE OUTSIDE	1	
	3120550653	CONNECTING NIPPLE INSIDE	1	
41	3120550171	BOLT (ROCKER ARM)	3	
42	11064012632	HEX. BOLT M 12X75	1	
	885405032534	SET OF CAMSHAFT BEARING STD	1	
14	-----	CAMSHAFT BUSH	1	
13	-----	CAMSHAFT BEARING NO. 1	2	



VC No : 26525527000R Group : (00) ENGINE Table : (2534131307R.01-FUEL INJECTION EQUIPMENT)

Fig.	Part No	Part Description	Qty	Remarks
1	0460424235	ASSY FIP (ROTARY)	1	TML PART NO 253407100146
2	252507123702	SUPPORT INJECTION PUMP	1	
3	252707135402	INJECTION PUMP GEAR	1	
5	252707125309	GASKET (SUPPORT INJECTION PUMP)	1	
6	253407140189	SET FUEL PRESSURE PIPE BS1/2/3	1	
	253407140135	ASSY FUEL PRESSURE LINE BENT CYL. NO.1	1	
	253407140136	ASSY FUEL PRESSURE LINE BENT CYL. NO.2	1	
	253407140137	ASSY FUEL PRESSURE LINE BENT CYL. NO.3	1	
	253407140138	ASSY FUEL PRESSURE LINE BENT CYL. NO.4	1	
9	252707140135	ASSY FUEL LEAKAGE LINE	1	
10	3129970230	PLUG	1	
11	3129970330	PLUG	1	
12	3129970840	GASKET RING FOR CYLINDER HEAD	1	
	253409110110	SPACER 9 ID	1	
	253409110111	SPACER II ID	1	
	252707148201	PIPE CLAMP UPPER	1	
	252707140102	ASSY CLAMP LOWER	1	
	252707148202	CLAMPING PIECE LOWER	1	
	252707147501	RUBBER GROMMET	3	
19	252707125302	GASKET (FIP TO SUPPORT)	1	
23	252709130274	ASSY AIR LINE (AIR INTAKE ELBOW TO LDA)	1	
24	253407120102	ASSY BRACKET (FIP MOUNTING ON CYL. CR. CASE)	1	
	254707100114	ASSY BOOST LINE (FIP SIDE)	1	
	254707144201	CLAMP (INJECTOR OVER FLOW LINE)	1	



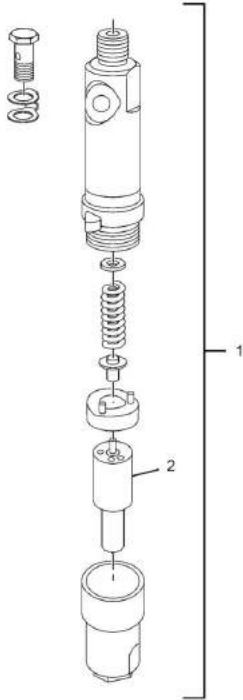
SFC407-00.07.01B

D07

Updated on : Tue Jan 11 2022 20:15:02

VC No : 26525527000R Group : (00) ENGINE Table : (2534131307R.02-INJECTOR)

Fig.	Part No	Part Description	Qty	Remarks
1	253401160112	ASSY.INJECTOR	4	
2	F002C40544	NOZZLE	4	TML Pt no 253401169903



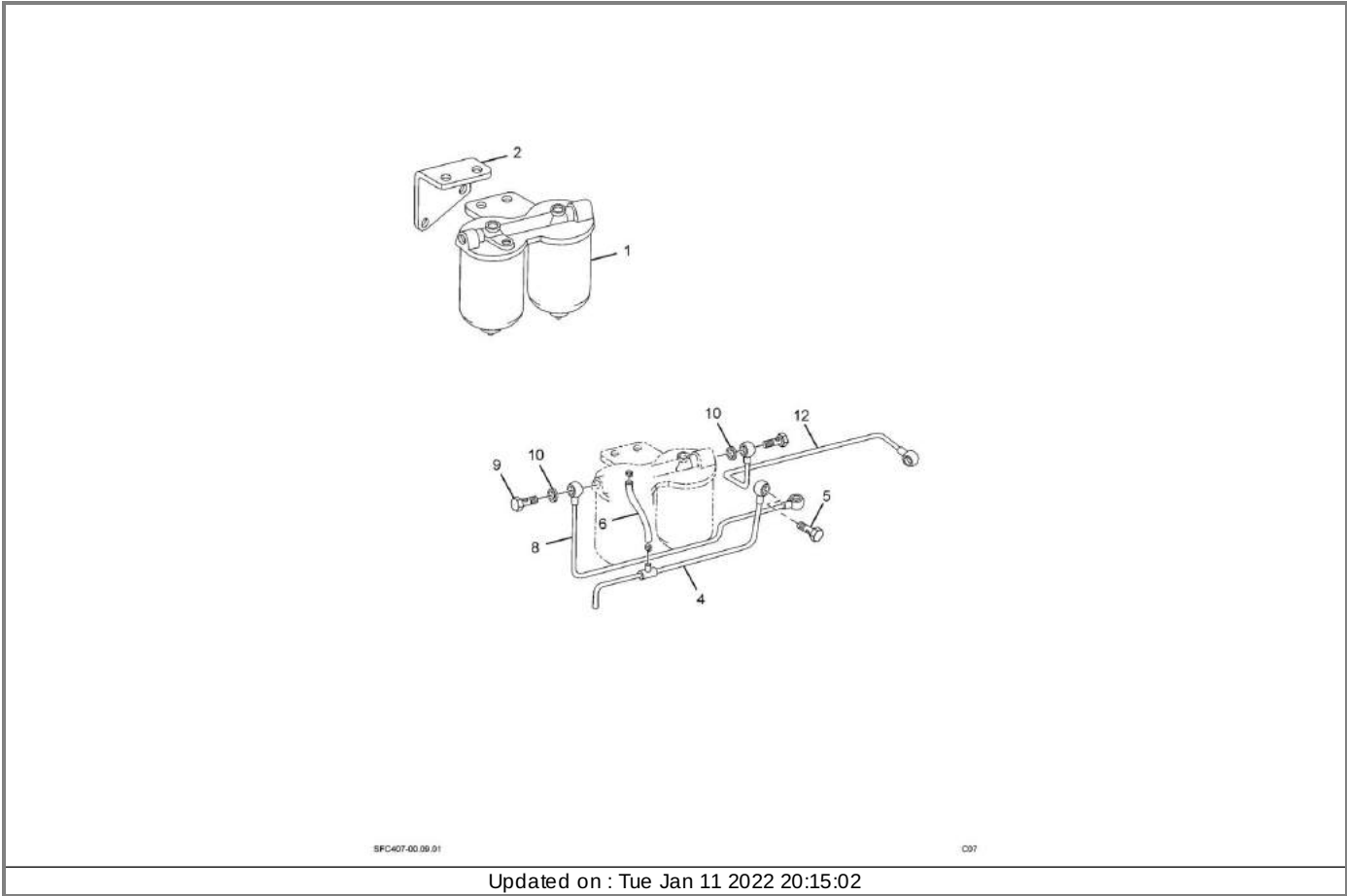
SFC407-00.07.02

097

Updated on : Tue Jan 11 2022 20:15:02

VC No : 26525527000R Group : (00) ENGINE Table : (2534131309R.01-FUEL FILTER)

Fig.	Part No	Part Description	Qty	Remarks
1	9450030116	ASSY FUEL FILTER	1	TML Part no 254709110106
2	253409113703	BRACKET FUEL FILTER MOUNTING	1	
4	252709120157	ASSY OVERFLOW LINE (COMBINED)	2	
5	252709118001	AIR VENT SCREW (ON FUEL FILTER BANJO)	1	
6	252709125805	HOSE	1	
8	253409120143	ASSY FUEL LINE (FEED PUMP TO FILTER)	1	
9	252709113201	PIPE UNION BOLT 10	4	
10	16220510216	SEALING WASHER 14X18 IS3175 AL	8	
12	253409120143	ASSY. FUEL LINE FILTER TO FIP 4SP SFC	1	

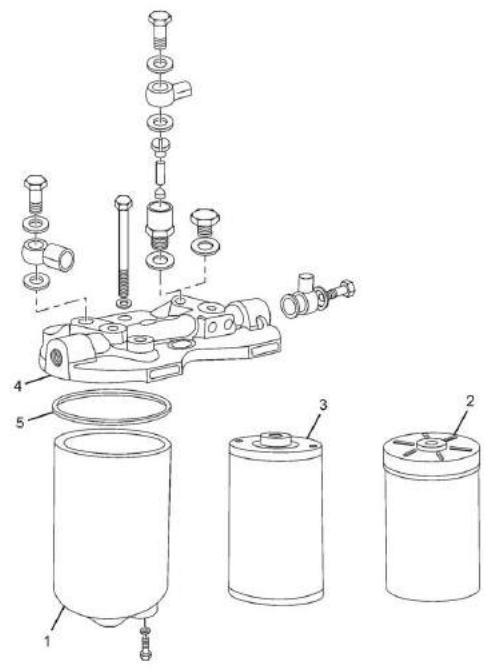


SFC407-00 09 01

097

Updated on : Tue Jan 11 2022 20:15:02

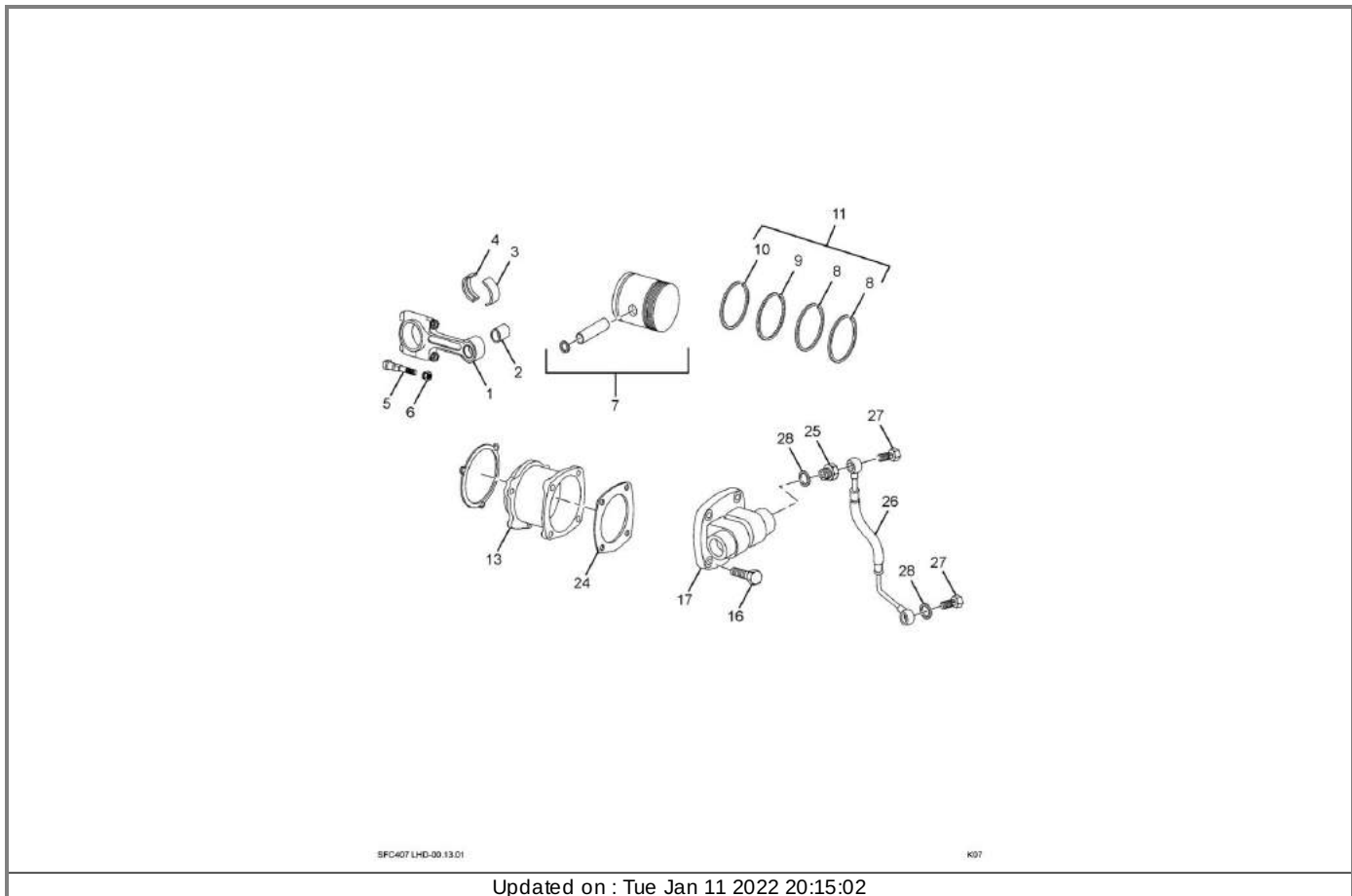
VC No : 26525527000R Group : (00) ENGINE Table : (2534131309R.02-FUEL FILTER (MICO)				
Fig.	Part No	Part Description	Qty	Remarks
1	9450030116	ASSY FUEL FILTER	1	TML Part no 254709110106
2	9451037407	FUEL PAPER ELEMENT BS1/2/3/4	1	OPTIONAL
2	9451037405	PAPER ELEMENT STAR TYPE BS2/3	1	OPTIONAL
3	9451037404	FUEL FILTER ELEMENT CARTRIDGE BS1/2/3	1	
4	9451035558	FILTER COVER ASSY	1	
5	9451030109	SEALING RING	2	



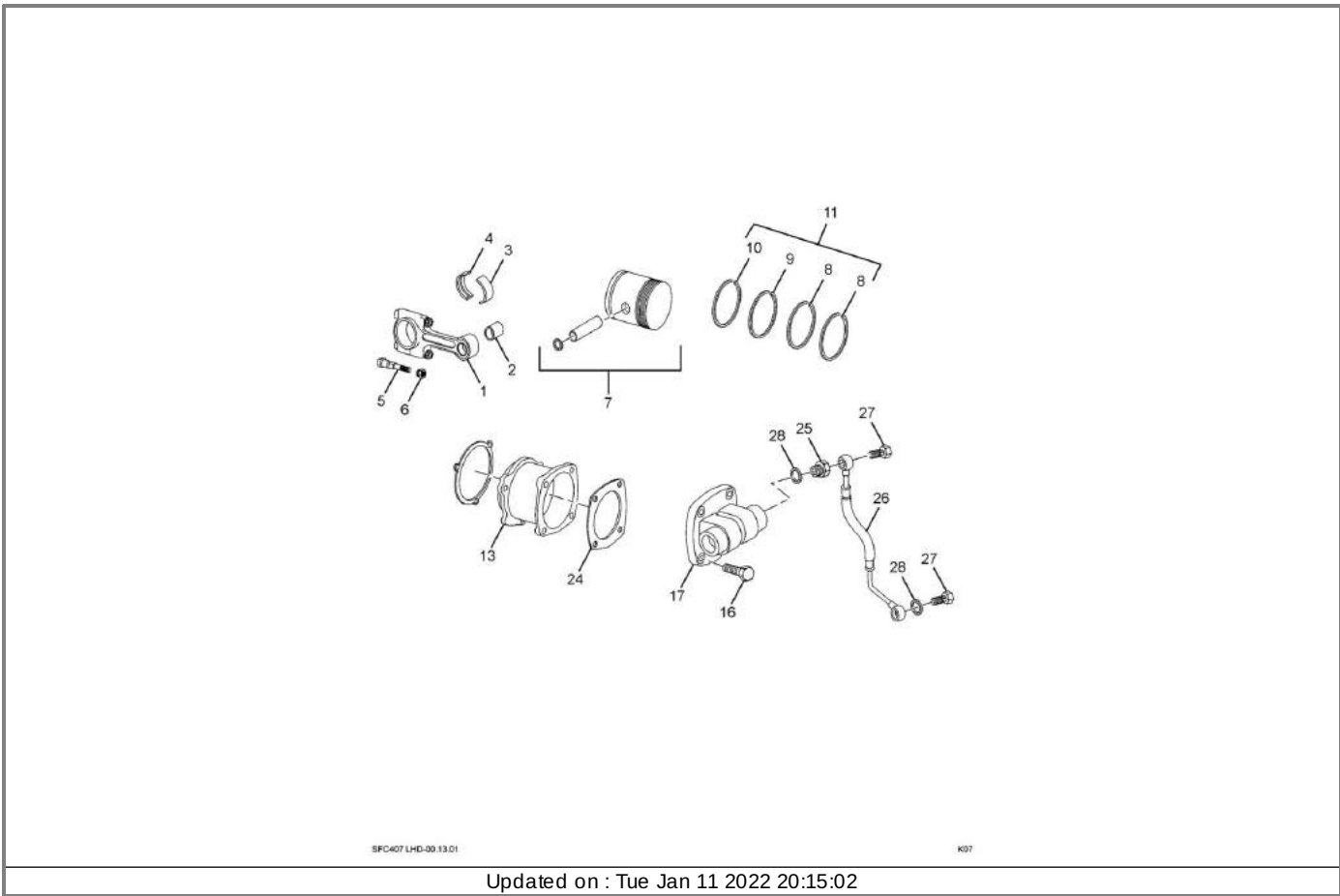
SFC407 LHD-00 09 02 K07

Updated on : Tue Jan 11 2022 20:15:02

VC No : 26525527000R Group : (00) ENGINE Table : (2534130113R.01-AIR SUCTION UNIT)				
Fig.	Part No	Part Description	Qty	Remarks
1	3211300416	ASSY CONNECTING ROD (AIR COMPRESSOR)	1	
2	885413102534	SET CONNECTING ROD BUSH STD	1	
	885413062534	SET CONNECTING ROD BEARING STD, CONSISTING OF :	1	
3	-----	CONNECTING ROD BEARING UPPER STD	1	
4	-----	CONNECTING ROD BEARING LOWER STD	1	
	885413082534	SET CONNECTING ROD BEARING RS , CONSISTING OF :	1	
3	-----	CONNECTING ROD BEARING UPPER RS1	1	
4	-----	CONNECTING ROD BEARING LOWER RS1	1	
	885413092534	SET CONNECTING ROD BEARING RS 2, CONSISTING OF :	1	
3	-----	CONNECTING ROD BEARING UPPER RS2	1	
4	-----	CONNECTING ROD BEARING LOWER RS2	1	
5	3211310171	GUIDE SCREW	2	
6	3129900251	HEX. NUT (BALL PIN ROCKER ARM)	8	
7	252313140124	ASSY PISTON AIR COMPRESSOR (STD)	1	
11	252313140127	SET AC PISTON RINGS 70 DIA STD	2	SET A, OPTIONAL TO SET B
8	-----	COMPRESSION RING (GR. I & II)	2	
9	-----	NOSE SCRAPER RING GR. III	1	
10	-----	OIL RING GR. IV NORMAL	1	
11	252313140127	SET AC PISTON RINGS 70 DIA STD	1	SET B, OPTIONAL TO SET A
8	-----	COMPRESSION RING (GR. I & II)	2	
9	-----	SCRAPPER RING NORMAL	1	
10	-----	OIL RING GR. IV NORMAL	1	
13	253413103702	CYLINDER SLEEVE NORMAL	1	
-	252713105312	GASKET (0.5 THK)	1	
16	3529900604	HEX. HEAD COLLAR BOLT	3	



VC No : 26525527000R Group : (00) ENGINE Table : (2534130113R.01-AIR SUCTION UNIT)				
Fig.	Part No	Part Description	Qty	Remarks
17	253313100102	ASSY CYLINDER HEAD AIR SUCTION UNIT	1	
24	252313105301	GASKET	1	OPTIONAL
24	252313105301	GASKET	1	OPTIONAL
25	253413106802	REDUCER	1	
26	253413100103	ASSY OIL LINE	1	
27	16531999049	PIPE UNION BOLT 10 M14X1.5 TS16405	4	
28	16220510216	SEALING WASHER 14X18 IS3175 AL	4	



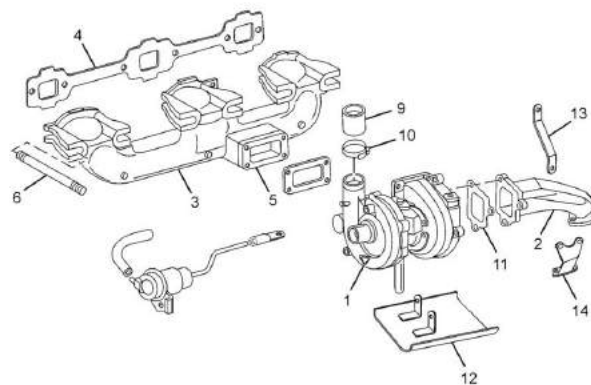
SFC407 LHD-00 13.01

K97

Updated on : Tue Jan 11 2022 20:15:02

VC No : 26525527000R Group : (00) ENGINE Table : (2534131314R.01-EXHAUST MANIFOLD & TURBOCHARGER)

Fig.	Part No	Part Description	Qty	Remarks
1	253414510117	TURBOCHARGER (HOLSET)	1	OPTIONAL AS A SET
1	253414510107	TURBOCHARGER K16 (KKK)	1	OPTIONAL
1	253414510116	TURBOCHARGER (HONEYWELL)	1	OPTIONAL
2	252714113710	INTERMEDIATE PIPE (KKK)	1	FOR KKK/HONEYWELL TURBO
2	253414113709	INTERMEDIATE PIPE (HOLSET)	1	FOR HOLSET TURBO
3	252714113711	EXHAUST MANIFOLD BS2/3	1	FOR KKK/HONEYWELL TURBO
3	253414113708	EXHAUST MANIFOLD (HOLSET)	1	FOR HOLSET TURBO
4	252414115304	GASKET EXHAUST MANIFOLD	1	
-	279014116501	FLANGED CLINCH NUT	4	
5	252714115307	GASKET (EXHAUST MANIFOLD TO TURBO CHARGER) (KKK)	1	FOR KKK/HONEYWELL TURBO
5	253414115305	GASKET (EXHAUST MANIFOLD TO TURBO CHARGER) (HOLSET)	1	FOR HOLSET TURBO
6	11632408350	STUD BM 8X35	4	
9	253409135827	RUBBER HOSE	1	
10	254714604215	HOSE CLAMP (65 DIA.)	2	
11	252714115304	GASKET (TC TO INTRERMEDIATE PIPE)	1	FOR KKK/HONEYWELL TURBO
11	253414115306	GASKET (TC TO INTERMEDIATE PIPE)	1	FOR HOLSET TURBO
12	253414130110	ASSY HEAT SHIELD (FOR STARTER MOTOR)	1	FOR KKK/HONEYWELL TURBO
12	-	ASSY HEAT SHIELD (STARTER)	1	NO LONGER SERVICABLE
13	253414118202	SUPPORT BRACKET	1	FOR KKK/HONEYWELL TURBO
13	-	SUPPORT BRACKET	1	Not Serviced
14	253414110109	ASSY BRACKET (SUPPORT FOR INTERMEDIATE PIPE)	1	
	253414990102	REPAIR KIT FOR TURBOCHARGER HX-25 (HOLSET) CONSISTING OF :	1	
	-----	JOURNAL BEARING	2	
	-----	THRUST BEARING	1	
	-----	SPLIT SEAL RING	1	



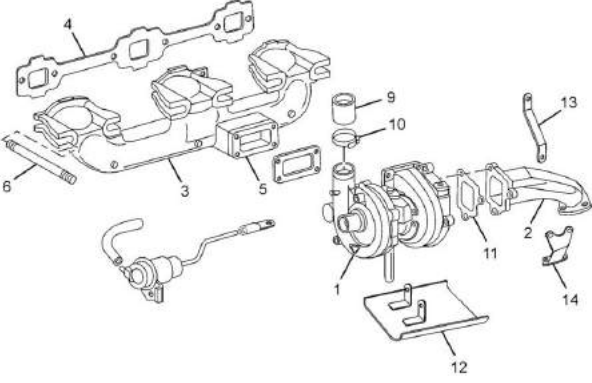
SFC407-00 14.01

097

Updated on : Tue Jan 11 2022 20:15:02

VC No : 26525527000R Group : (00) ENGINE Table : (2534131314R.01-EXHAUST MANIFOLD & TURBOCHARGER)

Fig.	Part No	Part Description	Qty	Remarks
	-----	SPLIT SEAL RING (COMPRESSOR)	1	
	-----	O RING (BEARING HOUSING)	1	
	-----	O RING (COMPRESSOR)	1	
	-----	LOCK NUT (COMPRESSOR WHEEL)	1	
	-----	RETAINING RING	2	

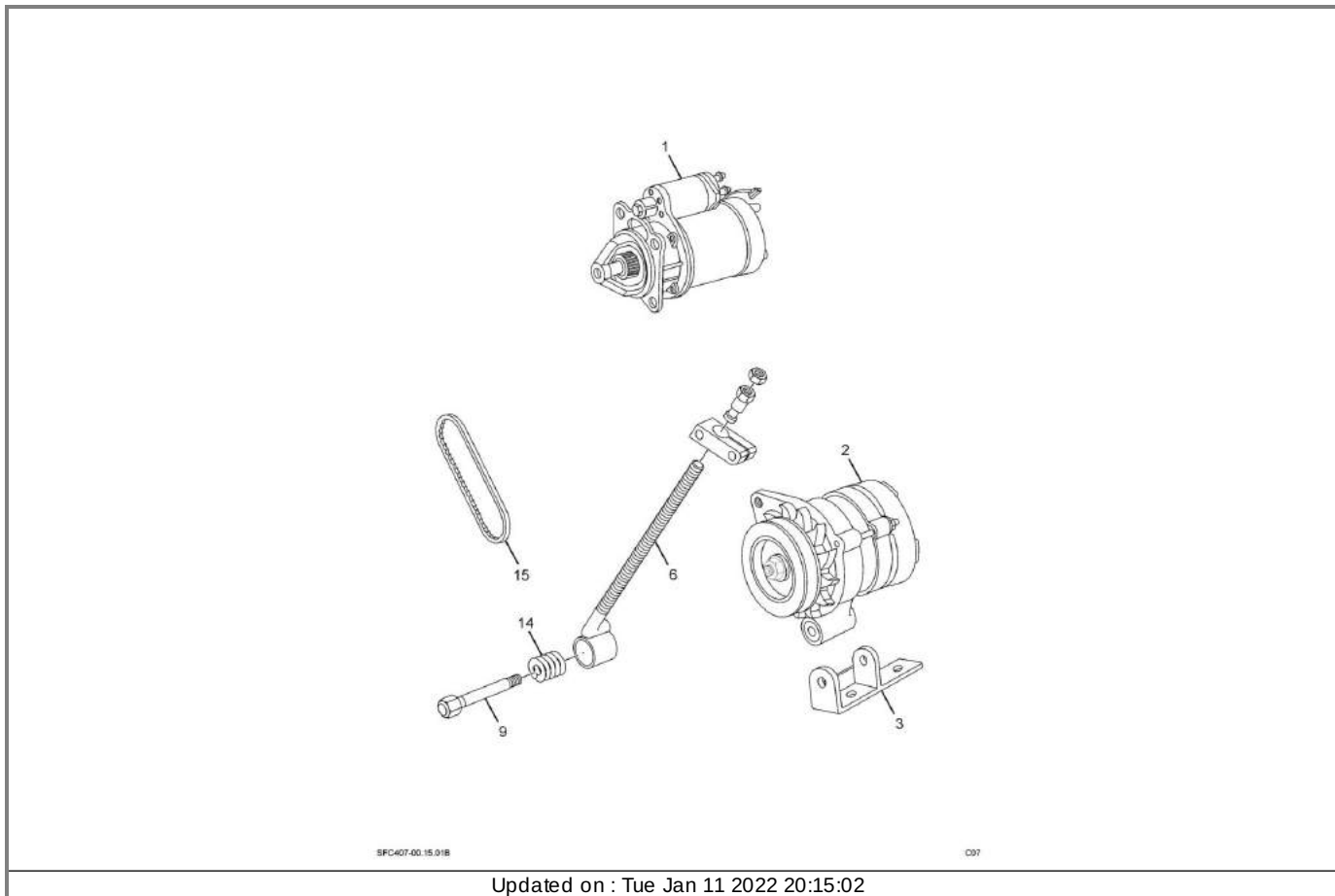


SFC407-00 14.01 097

Updated on : Tue Jan 11 2022 20:15:02

VC No : 26525527000R Group : (00) ENGINE Table : (2534131015R.01-STARTER AND ALTERNATOR)

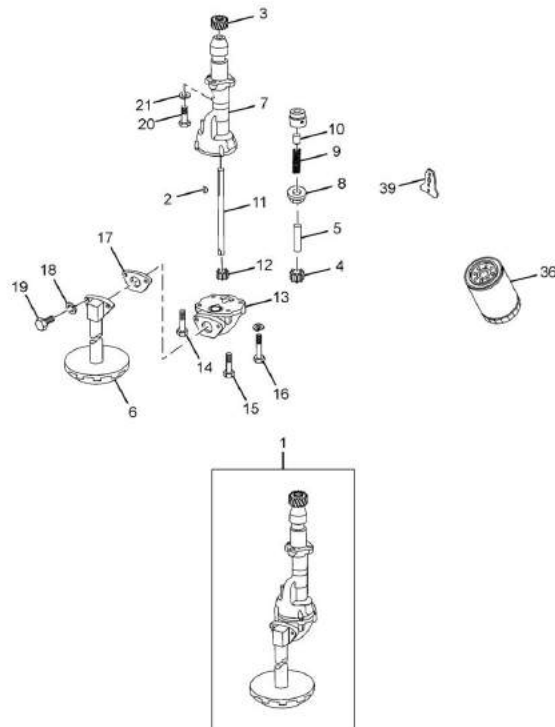
Fig.	Part No	Part Description	Qty	Remarks
1	265115100130	STARTER MOTOR BS1/2/3/4	1	
2	265115100122	ALTERNATOR 12V 35A - OFFER	1	
3	253415140104	ASSY BRACKET ALTERNATOR MOUNTUNG	1	
6	252415140110	ASSY CLAMP ROD COMPLETE WITH CLAMPING PIECE	1	
9	3121550174	BOLT (FOR FIXING ALTERNATOR)	1	
14	3129932801	SPRING ALTERNATOR	1	
15	253420156302	V BELT COGGED 1185MM BS2/3/4	2	OPTIONAL
15	253420156327	COGGED BELT(1185 LENGTH)	2	OPTIONAL
	206754610101	EARTH STRAP	1	



Updated on : Tue Jan 11 2022 20:15:02

VC No : 26525527000R Group : (00) ENGINE Table : (2534131318R.01-OIL PUMP)

Fig.	Part No	Part Description	Qty	Remarks
1	253418100123	ASSY OIL PUMP COMPLETE	1	NOT SERVICED IN ASSEMBLED COND
-	253318100102	ASSY OIL PUMP (WITHOUT STRAINER)	1	
2	13650505055	WOODRUFF KEY 3X6.5	2	
3	3121810308	DRIVE GEAR OIL PUMP	1	
4	252318105409	OIL PUMP GEAR (DRIVEN)	1	
5	252318107901	SHAFT DRIVEN GEAR	1	
6	252418150105	STRAINER	1	
7	253318103701	OIL PUMP HOUSING	1	
8	3529970730	PLUG PRESSURE RELIEF VALVE	1	
-	3521840329	VALVE HOUSING PRESSURE RELIEF VALVE	1	
9	3269930401	SPRING PRESSURE RELIEF VALVE	1	
10	3211810042	PLUNGER PRESSURE RELIEF VALVE	1	
11	252718107901	DRIVE SHAFT OIL PUMP	1	
12	252318105410	OIL PUMP GEAR (DRIVE SHAFT)	1	
13	3521811220	OIL PUMP COVER	1	
14	11324196031	HEX SCREW M8X22 OIL PUMP COVER TO HOUSING	2	
15	11064096038	HEX SCREW M8X45 OIL PUMP COVER TO HOUSING	1	
16	11064096011	HEX SCREW M8X35 OIL PUMP COVER TO HOUSING	1	
17	3121860080	GASKET	1	
18	-----	SPRING WASHER B 8 STRAINER TO OIL PUMP	2	
19	11324196023	HEX SCREW M8X20 STRAINER TO OIL PUMP	2	
20	11342408283	SCREW M8X28 OIL PUMP TO CRANKCASE	3	
21	-----	SPRING WASHER B 8 OIL PUMP TO CRANKCASE	2	
-	885418012523	KIT, OIL PUMP GEAR CONSISTING OF :	1	
4	-----	OIL PUMP GEAR (DRIVEN)	1	



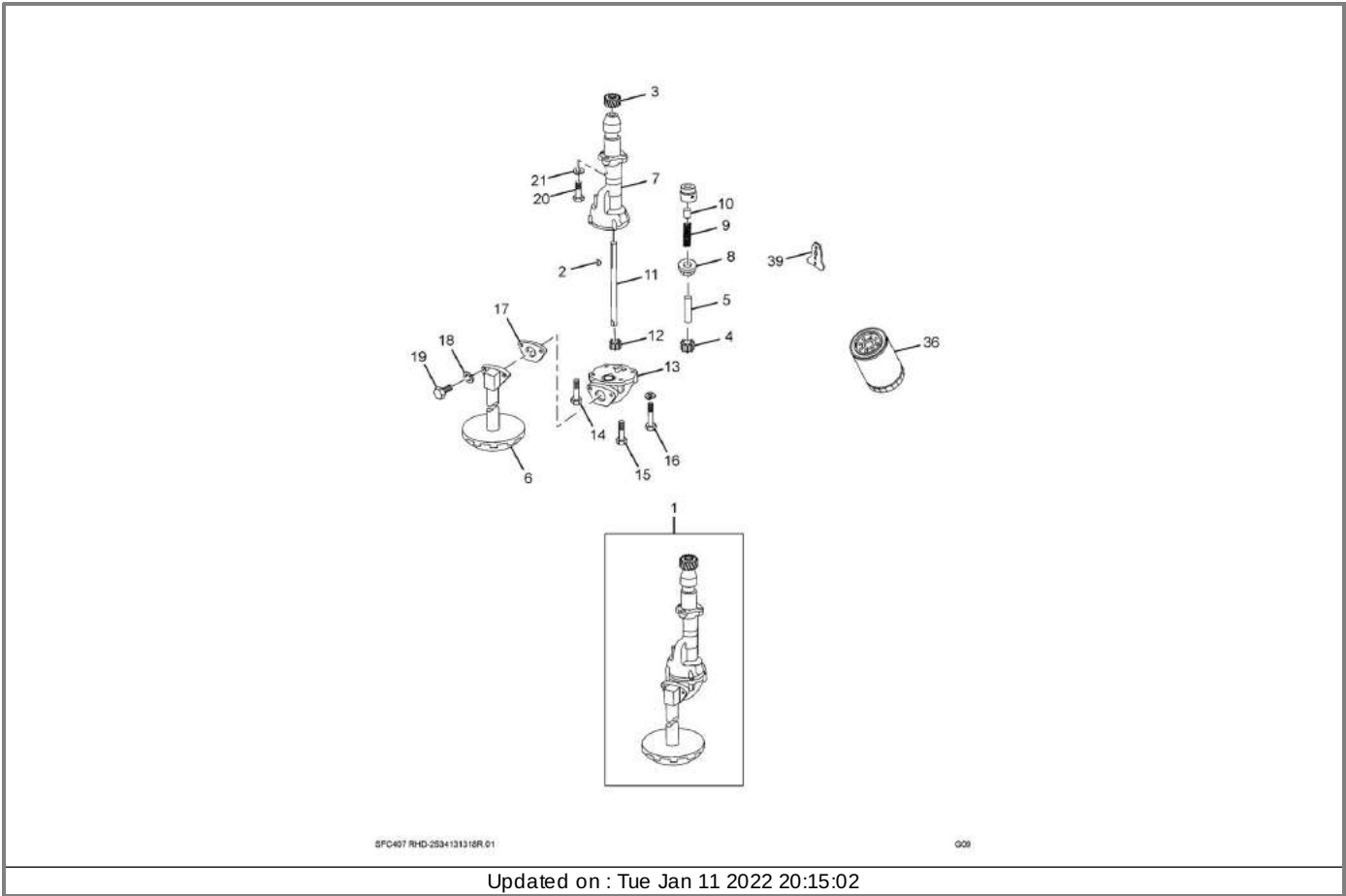
SFC407 RHD-2534131318R.01

009

Updated on : Tue Jan 11 2022 20:15:02

VC No : 26525527000R Group : (00) ENGINE Table : (2534131318R.01-OIL PUMP)

Fig.	Part No	Part Description	Qty	Remarks
12	-----	OIL PUMP GEAR (DRIVE SHAFT)	1	
	-----	OIL FILTER		
36	253418130169	OIL FILTER ELEMENT SPINON BS1/2/3/4	1	For Selection (FLEETGUARD)
	253418130187	ASSY OIL FILTER		For Selection (ALLENA AUTO)
36	253418130174	ASSY OIL FILTER COMPLETE SPACIO BSIII	1	FOR SELECTION
-	265454509913	LOW OIL PRESSURE SWITCH BS1/2/3/4/6	1	
39	253418135301	GASKET (OIL FILTER TO CYL BLOCK):BS-III	1	



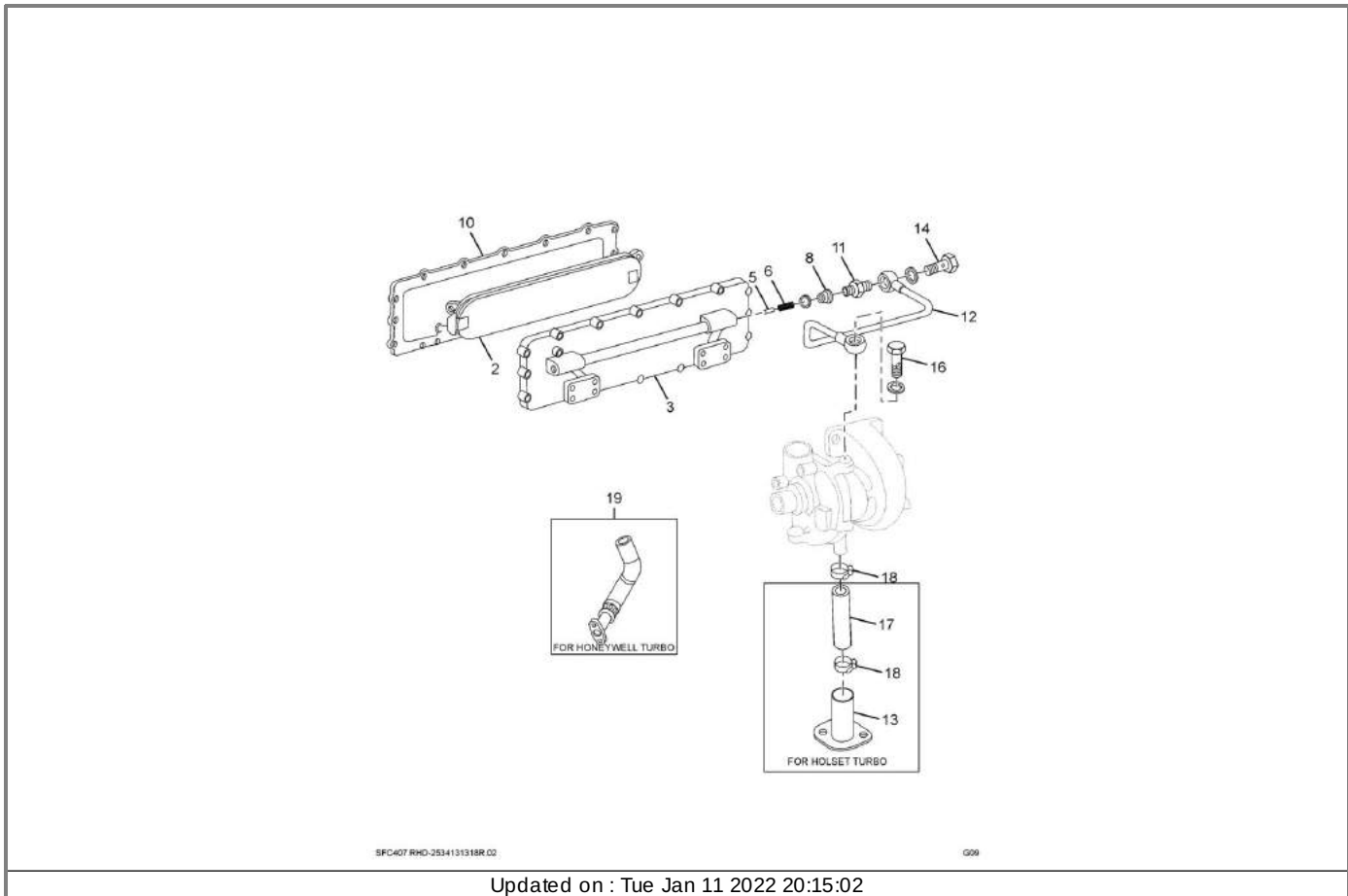
SFC407 RHD-2534131318R.01

009

Updated on : Tue Jan 11 2022 20:15:02

VC No : 26525527000R Group : (00) ENGINE Table : (2534131318R.02-ENGINE LUBRICATION (OIL COOLER))

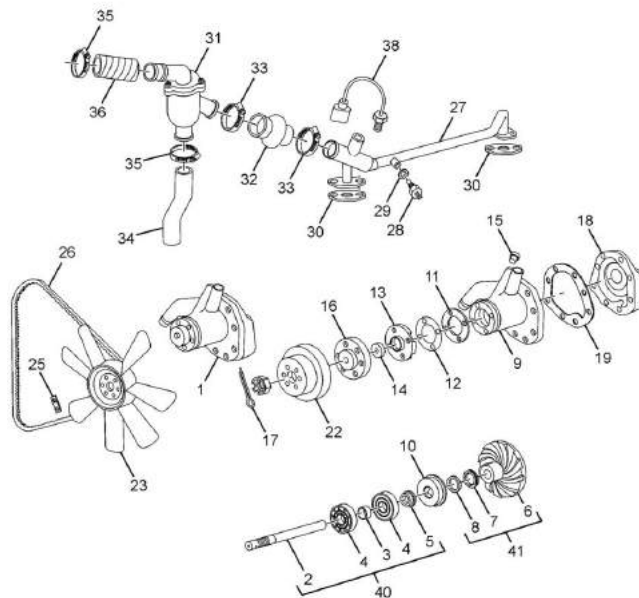
Fig.	Part No	Part Description	Qty	Remarks
2	253418170117	ASSY PLATE TYPE HEAT EXCHANGER	1	
3	-	OIL COOLER COVER	1	Not Serviced
	253418178001	COLLER SCREW	4	
5	253418179001	PLUNGER BY - PASS VALVE	1	
6	252018138701	SPRING PRESSURE RELIEF VALVE	1	
-	16220510348	SEALING WASHER 22X27 IS3175 AL	1	
8	253418177206	SEALING PLUG BY - PASS VALVE	1	
10	253418175304	GASKET (OIL COOLER)	1	
11	253418177204	ADAPTOR	1	
12	253418170126	ASSY OIL LINE (OIL COOLER TO T.C.)	1	FOR HOLSET TURBO
13	253418170128	ASSY FLANGE (TC OUTLET TO SUMP)	1	FOR HOLSET TURBO
	252718175314	GASKET (TC OUTLET)	1	
14	253418173201	PIPE UNION BOLT	1	
16	253418179906	PIPE UNION BOLT	1	FOR KKK/HONEYWELL TURBO
16	16531999031	PIPE UNION BOLT 8 M12X1.5 TS16405	1	FOR HOLSET TURBO
	252718177204	ADAPTOR TC OIL RETURN:BS:III	1	
17	253418175813	HOSE(OIL RETURN TO BLOCK)4SP BS-II THL	1	FOR HOLSET TURBO
17	253418175812	HOSE (OIL RETURN TO BLK)4SP BSII TEL/HON	1	FOR KKK/HONEYWELL TURBO
18	254720124214	HOSE CLAMP (32 DIA)	2	
19	253418170176	ASSY FLANGE W CRIMPED HOSE:4SP TC EUROII	1	FOR KKK/HONEYWELL TURBO



Updated on : Tue Jan 11 2022 20:15:02

VC No : 26525527000R Group : (00) ENGINE Table : (2534131320R.01-WATER PUMP)

Fig.	Part No	Part Description	Qty	Remarks
1	253420100124	ASSY. WATER PUMP BS1/2/3	1	
2	253420107902	SHAFT (WATER PUMP)	1	
3	3122010153	SPACER TUBE	1	
4	0009819905	CONICAL ROLLER BEARING	2	
5	253420107801	OIL SEAL	1	
6	253420103711	IMPELLER	1	
7	0002010197	SEALING MEMBER	1	
8	0002010463	SLIDE RING	1	
9	253420103712	WATER PUMP HOUSING	1	
10	0002013619	AXIAL SLIDE RING	1	
11	3122010580	GASKET WATER PUMP	1	
12	3122010852	SHIM 0.1 MM THICK	AR	
13	3122000460	ASSY PACKING HOLDER	1	
14	253420107801	OIL SEAL	1	
	3122010758	BRACKET SEALING RING	1	
15	3122000098	ASSY GREASE CAP	1	
16	253420105103	HUB (WATER PUMP)	1	
17	13150608222	SPLIT PIN 3.2X22	1	
19	253420105302	GASKET	1	
22	253320110101	ASSY PULLEY WATER PUMP	1	
23	253420140101	ASSY FAN (PLASTIC MOULDED)	1	
25	3129940330	LOCK PLATE	3	
26	253420156302	V BELT COGGED 1185MM BS2/3/4	2	
27	253420120108	ASSY UPPER COOLING WATER LINE	1	
28	263254209903	TEMPERATURE TRANSDUCER BS1/2/3/4	1	



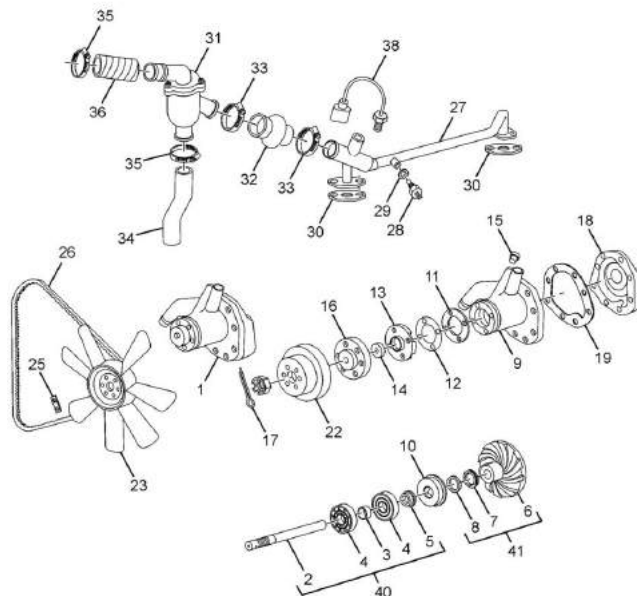
SFC407-00.00.01B

D07

Updated on : Tue Jan 11 2022 20:15:02

VC No : 26525527000R Group : (00) ENGINE Table : (2534131320R.01-WATER PUMP)

Fig.	Part No	Part Description	Qty	Remarks
29	16220510216	SEALING WASHER 14X18 IS3175 AL	1	
30	3522030680	GASKET	2	
31	252720120141	ASSY THERMOSTAT	1	
32	253450005801	RUBBER BELLOW	1	
33	254750104222	HOSE CLAMP	2	
34	253420125806	RUBBER HOSE (THERMOSTAT TO WATER PUMP)	1	
35	252750104208	HOSE CLAMP 34	2	
36	252550005812	RUBBER HOSE (RADIATOR TOP TO THERMOSTAT)	1	
38	264154509908	TEMP.SWITCH FOR 497TC EURO-II -OFFER	1	
	-----	REPAIR KITS		
	253420990105	REPAIR KIT (MAJOR) FOR WATER PUMP	1	
	-----	CONSISTING OF :		
40	-----	ASSY WATER PUMP SHAFT	1	
41	-----	ASSY IMPELLER	1	
10	-----	AXIAL SLIDE RING	1	
	-----	GASKET (WATER PUMP)	1	
19	-----	GASKET (BACK COVER)	1	
13	-----	ASSY PACKING HOLDER	1	
12	-----	SHIM 0.05 MM THICK	1	
17	-----	SPLIT PIN 3.2X22	1	
11	-----	GASKET (WATER PUMP)	1	
	253420990104	REPAIR KIT (MINOR) FOR WATER PUMP	1	
	-----	CONSISTING OF :		
	-----	GASKET	1	
19	-----	GASKET	1	

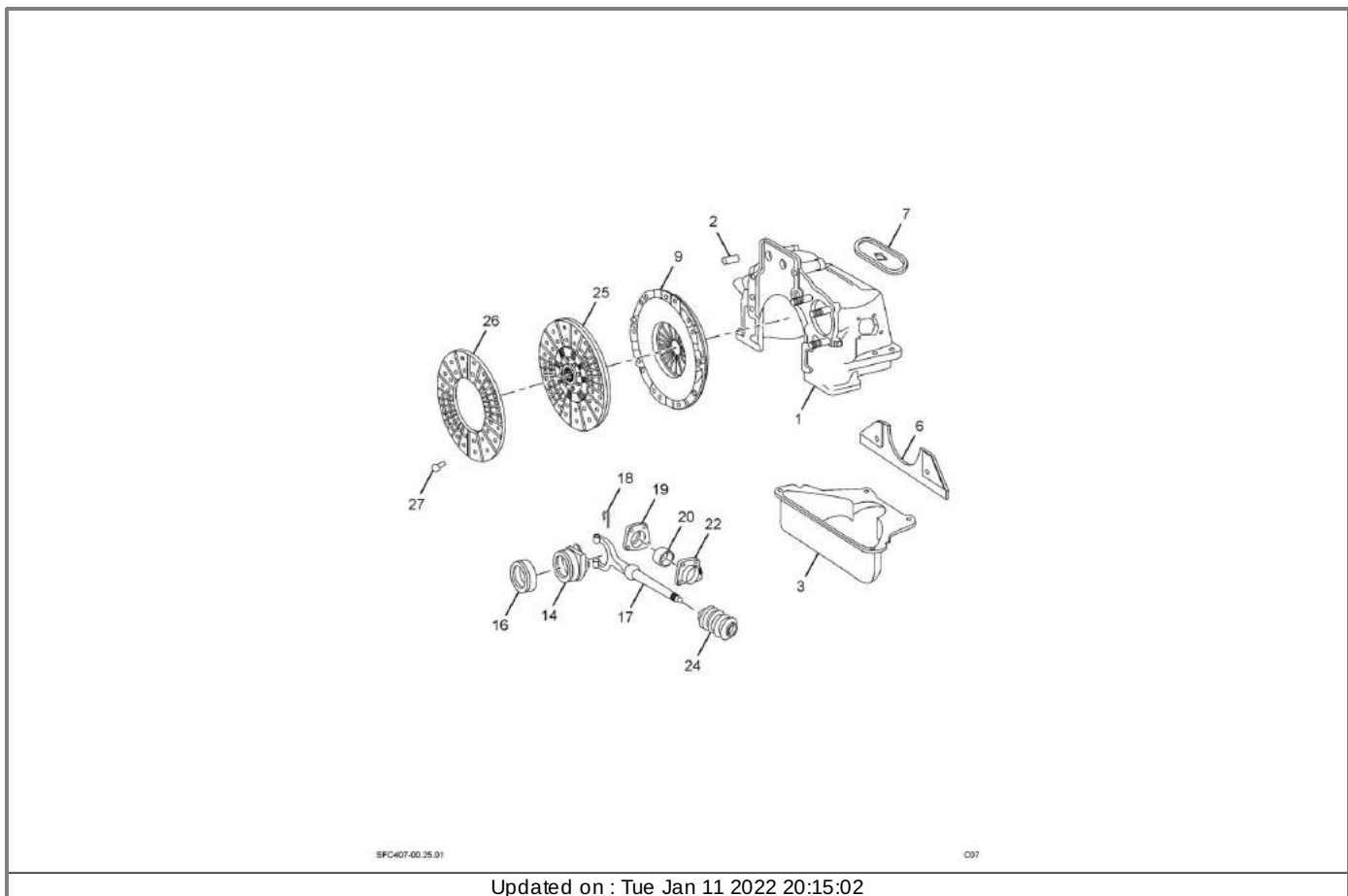


SFC407-00.30.01B

D07

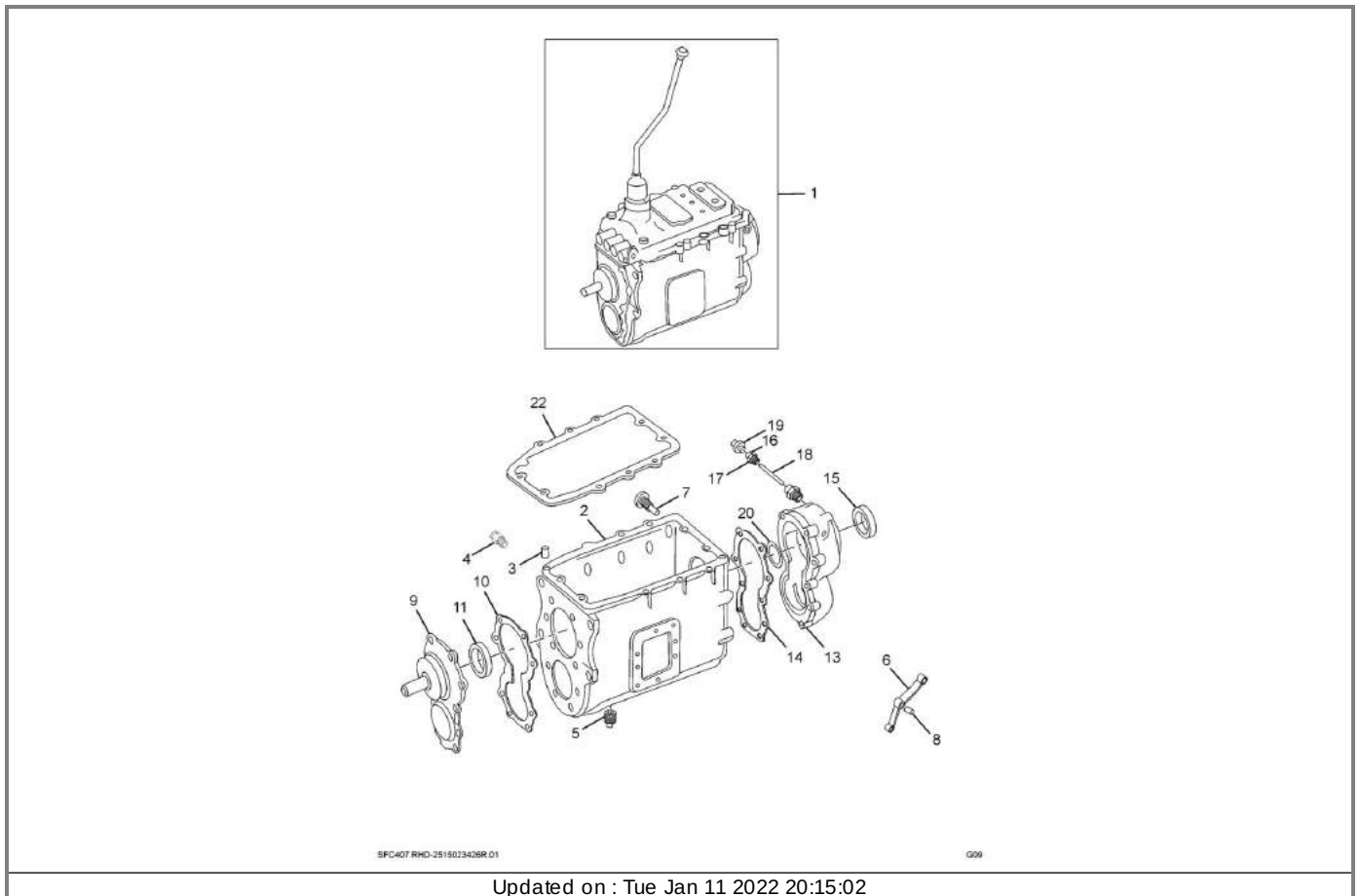
Updated on : Tue Jan 11 2022 20:15:02

VC No : 26525527000R Group : (00) ENGINE Table : (2651053125R.01-CLUTCH)				
Fig.	Part No	Part Description	Qty	Remarks
1	253425103711	CLUTCH HOUSING	1	
2	252325106701	PIN	1	
3	253425108210	CLUTCH HOUSING (LOWER PART)(BTM COVER)	1	
6	252325108203	PROTECTIVE COVER (CLUTCH HOUSING FRONT)	1	
7	253425108206	COVER FOR INSPECTION WINDOW	1	
-	253425108214	COVER (INSPECTION WINDOW)	1	
-	253425105301	GASKET (INSPECTION WINDOW)	1	
	-----	CLUTCH		
-	-	240 DIA. CL.DISC & PR.PLATE (CEEKAY)		SET A (CEEKAY) OPTIONAL TO SET
	-----	CONSISTS OF :		
9	265125400114	240 DIA. CLUTCH COVER ASSY - CK-HIGH CAPA	1	
25	265125200136	CLUTCH DISC 240 DIA.(F510) BS2/3/4	1	
-	-	240 DIA. CL.DISC & PR.PLATE (CLUTCH AUTO)		SET B (CLUTCH AUTO) OPTIONAL T
	-----	CONSISTS OF :		
9	265125400113	CLUTCH COVER 240 DIA. BS2/3/4	1	
25	265125200136	CLUTCH DISC 240 DIA.(F510) BS2/3/4	1	
14	265125600113	CLUTCH RELS.BRG. SELF-CENTERING	1	
16	265125600113	CLUTCH RELS.BRG. SELF-CENTERING	1	
17	265125605103	ASSY RELEASE FORK WITH BALL PIN	1	
18	3122541013	LOCKING WIRE	2	
19	265125608202	BRACKET INSIDE	1	
20	265125603102	OUTER RACE	1	
22	265125600111	ASSY BRACKET OUTSIDE	1	
24	265125607702	RUBBER BELLOW	1	
	-----	REPAIR KITS		



VC No : 26525527000R Group : (26) GEARBOX Table : (2515023426R.01-GEAR BOX (HOUSING))

Fig.	Part No	Part Description	Qty	Remarks
1	251526010152	ASSY GBS18-5/5.54 WITH 101PCD CPFLANGE	1	
2	251526103702	GEAR BOX HOUSING	1	
3	13050909209	CYLINDER PIN 10 H 8X20	2	
	13050909250	CYLINDER PIN 10 H 8X25	2	
4	0009970006J	PLUG OIL FILLING	1	
5	266335107207	MAGNETIC DRAIN PLUG BS1/2/3/4	1	
6	251526510104	ASSY INTERMEDIATE LEVER	1	
7	251526515901	SLIDING KEY	1	
8	251526106701	PIVOT PIN	1	
9	251526253702	GEAR BOX HOUSING COVER FRONT	1	
10	251526255302	GASKET (FRONT COVER TO HOUSING)	1	
11	251526257805	OIL SEAL DRIVE SHAFT	1	
13	251526203701	GEAR BOX HOUSING COVER REAR	1	
14	251526205301	GASKET	1	
15	251526207805	OIL SEAL MAIN SHAFT	1	
16	3212600086	ASSY THREADED BUSH	1	
17	250626207804	ROTARY SHAFT OIL SEAL	1	
18	250626207904	SHAFT SPEEDOMETER DRIVE	1	
19	251526200117	ASSY PINION SPEEDOMETER DRIVE	1	
	251926206701	PLUG (SPEEDO SHAFT)	1	
20	3122831052	SHIM 0.10 MM THICK	AR	FOR SELECTION
20	3122831152	SHIM 0.20 MM THICK	AR	FOR SELECTION
20	3122831252	SHIM 0.40 MM THICK	AR	FOR SELECTION
20	3122832152	SHIM 0.80 MM THICK	AR	FOR SELECTION
20	3122831752	SHIM 0.05 MM THICK	AR	FOR SELECTION

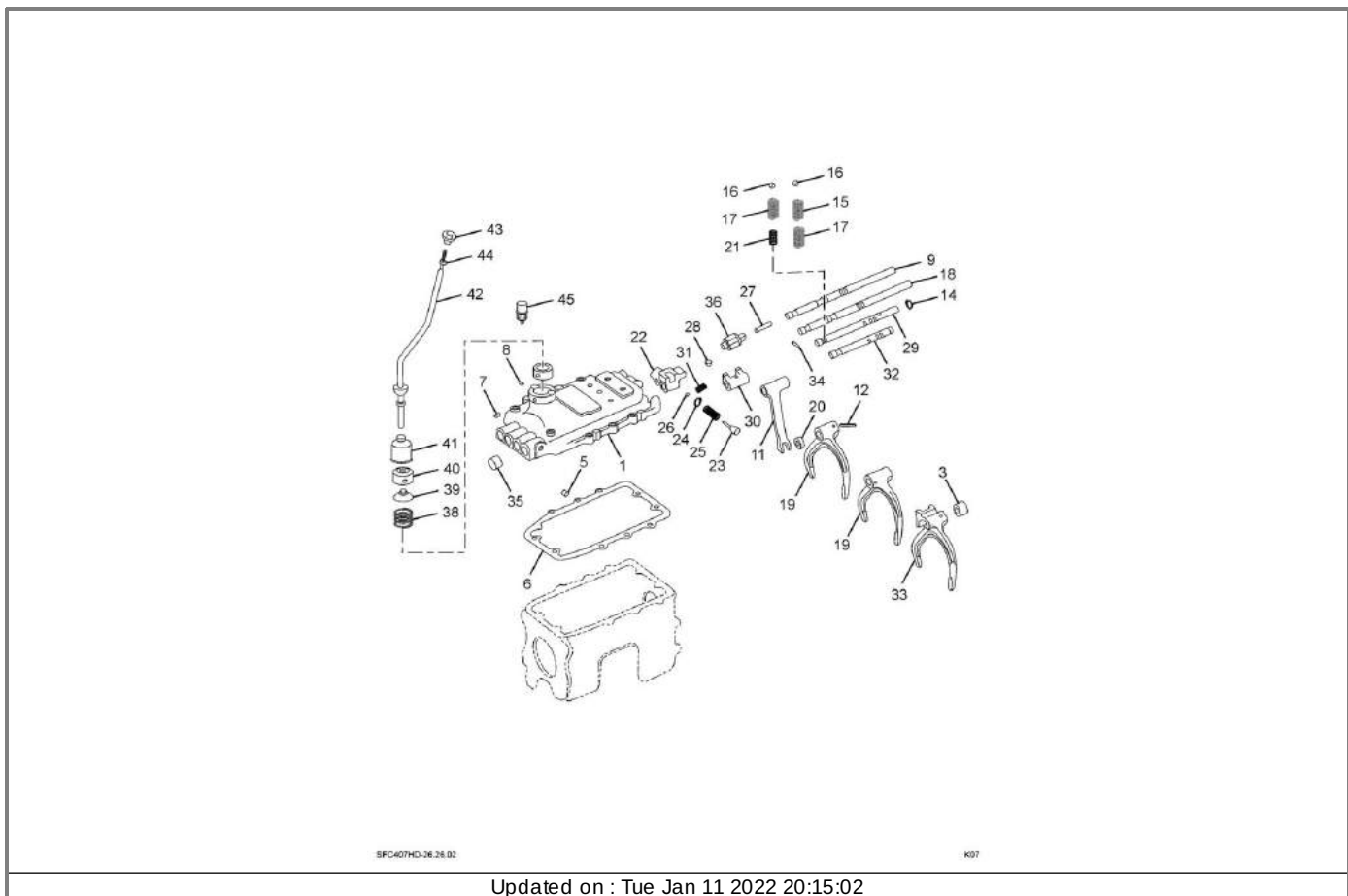


SFC407 RHD-2515023426R 01

099

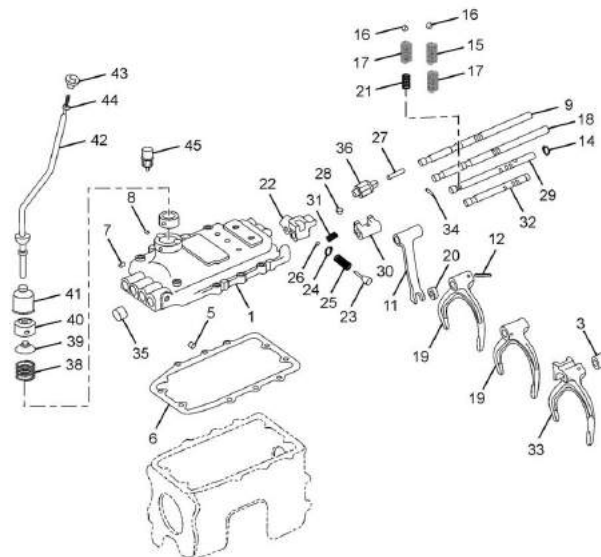
Updated on : Tue Jan 11 2022 20:15:02

VC No : 26525527000R Group : (26) GEARBOX Table : (2515023426R.02-GEAR BOX (TOP COVER))				
Fig.	Part No	Part Description	Qty	Remarks
1	251526710119	ASSY TOP COVER WITH PIN (WITH RIS)	1	
	251526713708	GEAR CASE COVER TOP (WITH RIS)	1	
	251526713404	BUSH (GEAR CASE COVER TOP)	1	
5	251526716701	PIN TOP COVER	2	
6	251526105301	GASKET (TOP COVER)	1	
7	13102105103	GROOVED PIN 5X10	2	
8	3129911362	DOWEL PIN	2	
9	251526707910	SHIFTER SHAFT (REVERSE SPEED)	1	
11	251526515102	SELECTOR FORK REVERSE SPEED	1	
12	13120509220	DOWEL SLEEVE HEAVY 5X22	1	
14	14550501601	EXTERNAL CIRCLIP 16X1.5 H	1	
15	251526718703	COMPRESSION SPRING	1	
16	15950100904	BALL 9 DIA.	2	
17	251526208701	COMPRESSION SPRING	2	
18	251526707908	SHIFTER SHAFT (1ST SPEED)	1	
19	25152651510830	SHIFTER FORK 1 / 2 / 3 SPEED	2	
20	251526708603	SPACER	1	
21	251526718702	PRESSURE SPRING	1	
22	251526513704	SHIFTER DOG (1ST / REV. SPEED)	1	
23	251526516702	PLUNGER GEAR CASE COVER TOP	1	
24	14550800706	EXTERNAL CIRCLIP 8X0.8 N	1	
25	251526518701	COMPRESSION SPRING	1	
26	15950100602	BALL 6 DIAMETER	1	
27	13050504209	DOWEL SLEEVE HEAVY 3X20	1	
28	15950101200	BALL 12 DIAMETER	1	



VC No : 26525527000R Group : (26) GEARBOX Table : (2515023426R.02-GEAR BOX (TOP COVER))

Fig.	Part No	Part Description	Qty	Remarks
29	251526707903	SHIFTER SHAFT 2ND / 3RD SPEED	1	
30	251526515106	SHIFTER DOG 2ND / 3RD SPEED	1	
31	251526718702	PRESSURE SPRING	1	
32	251526707904	SHIFTER SHAFT 4TH / 5TH SPEED	1	
33	25152651510930	SHIFTER FORK 4 / 5 SPEED	1	
3	-	SPACER	1	Not Serviced.
34	15953540131	NEEDLE ROLLER 4X13.8	2	
35	251526718204	CAP	6	
36	265454510123	REVERSE LIGHT SWITCH WITH PIGTAIL	1	
	264126807719	REXIN BELLOW (M/S SAHAYOG ENGINEERS)	1	
38	3129936501	PRESSURE SPRING	1	
39	251526718202	BALL PIECE GEAR SHIFT DOME	1	
40	251526718201	CAP GEAR SHIFT DOME	1	
41	3122671096	PROTECTIVE RUBBER CAP	1	
42	251526800112	ASSY GEAR SHIFT LEVER	1	
43	251826700101	ASSYGEAR SHIFT LEVER KNOB	1	Applicable For Vehicle Manufac
43	285226700110	ASSYGEAR SHIFT LEVER KNOB	1	Applicable For Vehicle Manufac
44	-----	HEX THIN NUT	1	
45	266835150102	PRESSURE RELIEF VALVE	1	

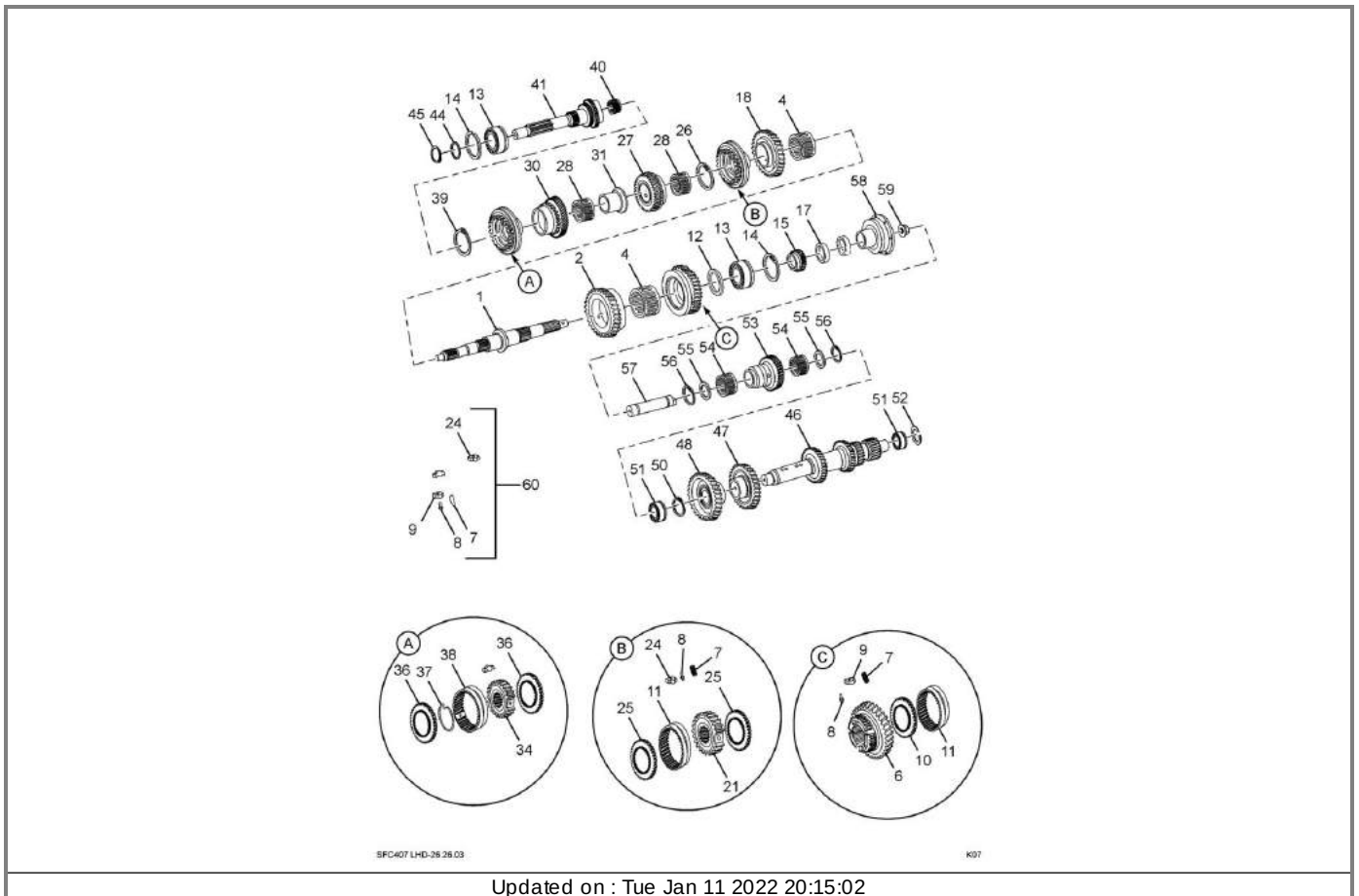


SFC407HD-06.26.02

K97

Updated on : Tue Jan 11 2022 20:15:02

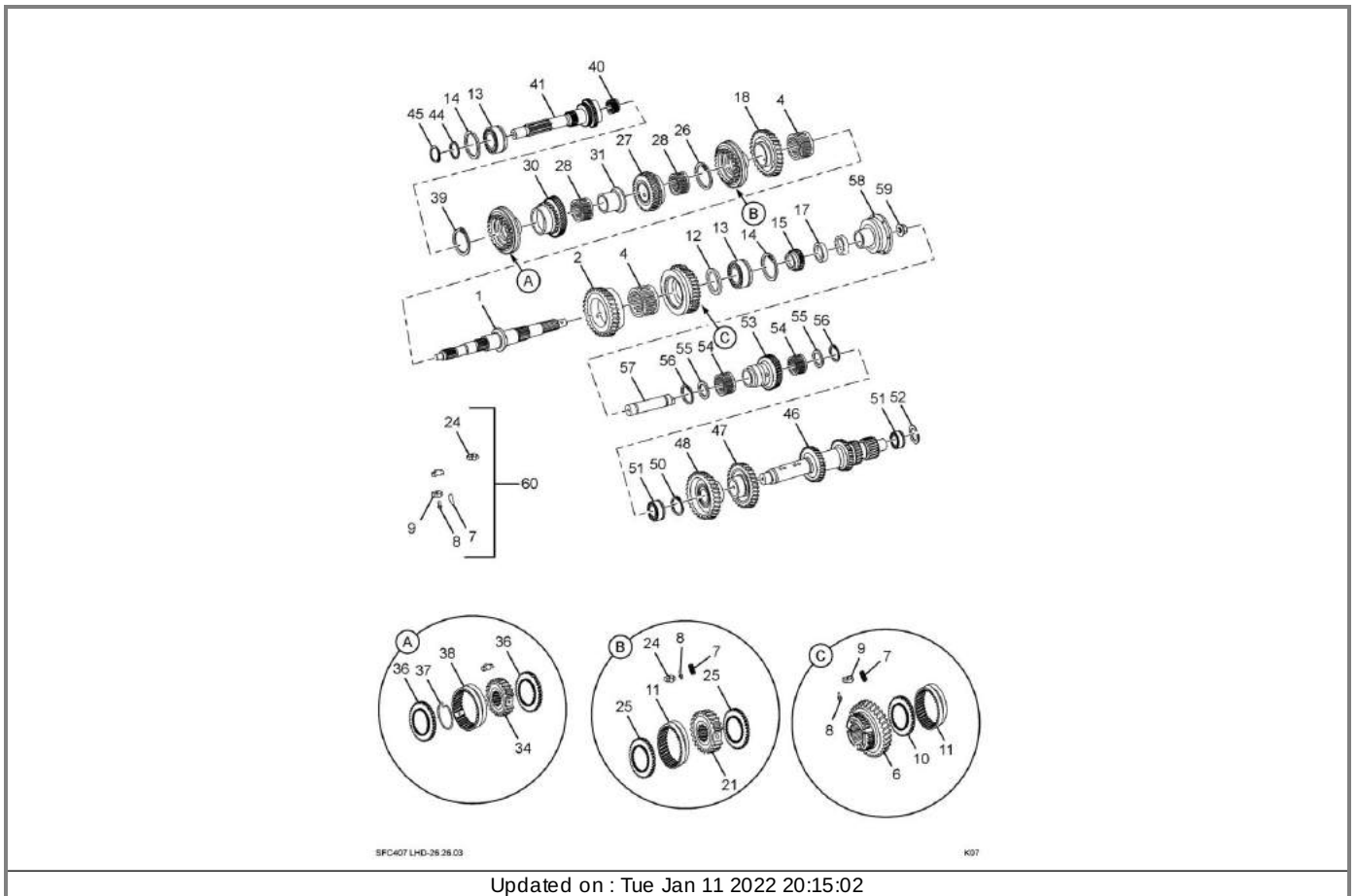
VC No : 26525527000R Group : (26) GEARBOX Table : (2515023426R.03-GEAR SHAFTS AND GEARS)				
Fig.	Part No	Part Description	Qty	Remarks
1	251526207904	MAIN SHAFT BS2/3/4	1	
2	251526205411	GEAR FIRST SPEED BS2	1	
4	251526203104	NEEDLE CAGE 1ST / 2ND SPEED	2	
	251526200104	ASSY REVERSE GEAR MAIN SHAFT	1	
6	251526205418	REVERSE GEAR BS2/3/4	1	
10	251526203802	SYNCHRO CONE 1 ST SPEED BS2/3/4	1	
11	251526204604	SHIFTER SLEEVE REV/1/2/3 BS2/3/4	1	
12	251526208603	SPACER 6.65 THICK	1	FOR SELECTION
12	251526208604	SPACER 6.70 THICK	1	FOR SELECTION
12	251526208605	SPACER 6.75 THICK	1	FOR SELECTION
12	251526208606	SPACER 6.80 THICK	1	FOR SELECTION
12	251526208607	SPACER 6.85 THK	1	FOR SELECTION
12	251526208608	SPACER 6.90 THICK	1	FOR SELECTION
12	251526208609	SPACER 6.95 THICK	1	FOR SELECTION
12	251526208610	SPACER 7.00 THICK	1	FOR SELECTION
12	251526208611	SPACER 7.05 THICK	1	FOR SELECTION
12	251526208612	SPACER 7.10 THICK	1	FOR SELECTION
12	251526208613	SPACER 7.15 THICK	1	FOR SELECTION
12	251526208614	SPACER 7.20 THICK	1	FOR SELECTION
12	251526208616	SPACER 7.30 THICK	1	FOR SELECTION
12	251526208617	SPACER 7.35 THICK	1	FOR SELECTION
12	251526208618	SPACER 7.40 THICK	1	FOR SELECTION
12	251526208619	SPACER 7.45 THICK	1	FOR SELECTION
13	251526203114	SINGLE ROW DEEP GROOVE BALL BEARING	2	
14	251526204302	SNAP RING 2.68 THICK	2	FOR SELECTION



Updated on : Tue Jan 11 2022 20:15:02

VC No : 26525527000R Group : (26) GEARBOX Table : (2515023426R.03-GEAR SHAFTS AND GEARS)

Fig.	Part No	Part Description	Qty	Remarks
14	251526204303	SNAP RING 2.73 THICK	2	FOR SELECTION
14	251526204304	SNAP RING 2.78 THICK	2	FOR SELECTION
14	251526204305	SNAP RING 2.83 THICK	2	FOR SELECTION
14	251526204306	SNAP RING 2.88 THICK	2	FOR SELECTION
14	251526204307	SNAP RING 2.93 THICK	2	FOR SELECTION
15	251526200118	ASSY GEAR SPEEDOMETER DRIVE	1	
17	251526208601	SPACER	1	
18	251526205402	2ND SPEED GEAR (32T) G8 BS2/3/4	1	
	251526200106	ASSY ENGAGING GEAR 2ND 3RD SPEED	1	
21	251526205407	ENGAGING GEAR (2ND AND 3RD SPEED)	1	
25	251526203803	SYNCHRO CONE 2ND/3RD SPEED BS2/3/4	2	
26	251526204312	CIRCLIP 2.5 THICK	1	FOR SELECTION
26	251526204313	CIRCLIP 2.54 THICK	1	FOR SELECTION
26	251526204314	CIRCLIP 2.58 THICK	1	FOR SELECTION
26	251526204315	CIRCLIP 2.62 THICK	1	FOR SELECTION
26	251526204316	CIRCLIP 2.66 THICK	1	FOR SELECTION
26	251526204333	CIRCLIP 2.7 THICK	1	FOR SELECTION
26	251526204334	CIRCLIP 2.8 THICK	1	FOR SELECTION
26	251526204335	CIRCLIP 2.75 THICK	1	FOR SELECTION
27	251526205408	HELICAL GEAR 23T (3RD SPD) GBS18 BS2/3/4	1	
28	251526203103	NEEDLE CAGE (4TH / 3RD SPEED)	2	
30	251526205401	4TH SPEED GEAR (22T) G8 BS2/3/4	1	
31	251526203402	COLLOR BUSH (4TH SPEED)	1	
	251526200109	ASSY ENGAGING GEAR 4TH/5TH SPEED	1	
34	251526205413	ENGAGING GEAR (4TH/5TH SPEED) BS2/3/4	1	

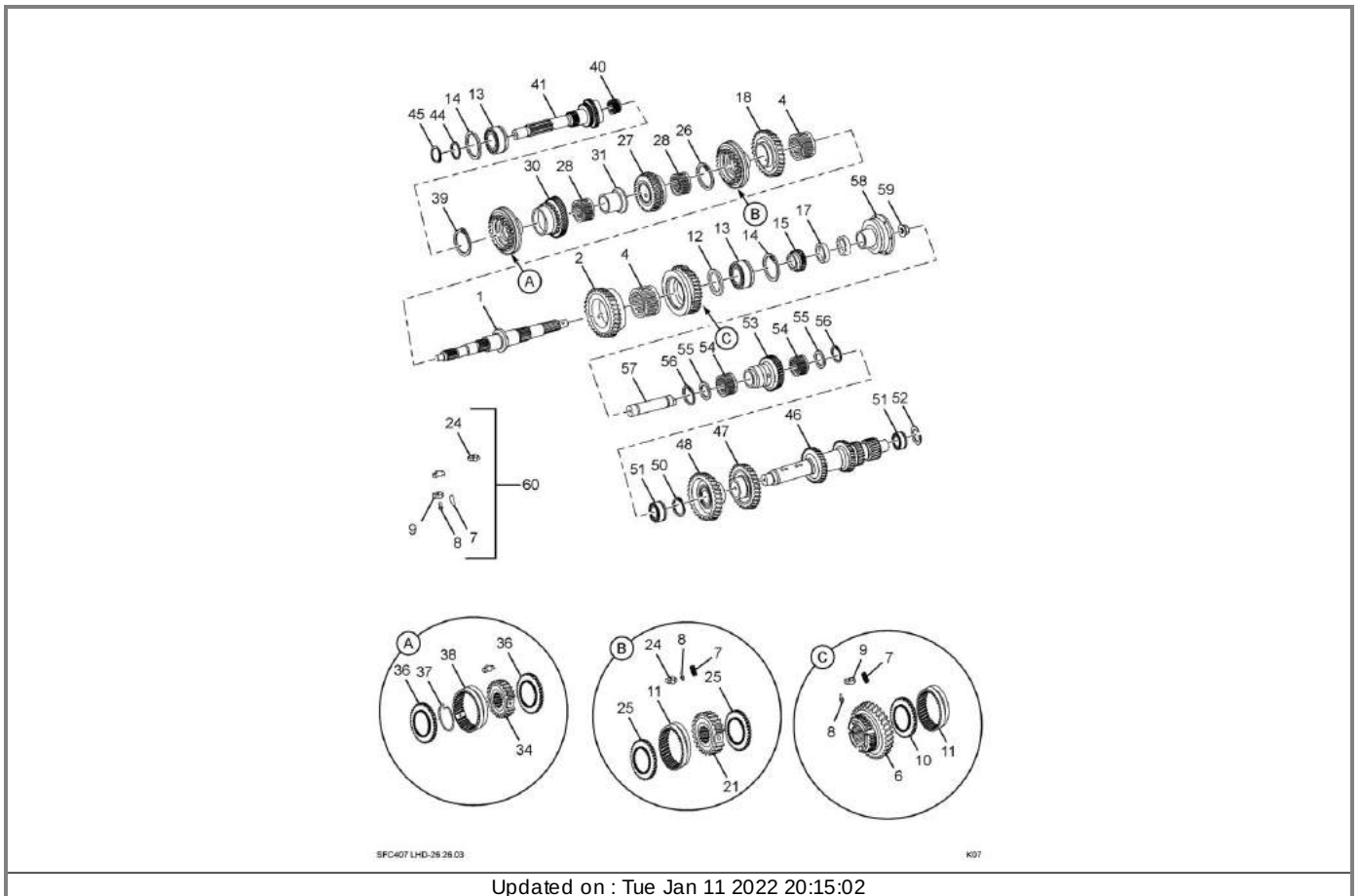


SFC407 LHD-26 26.03

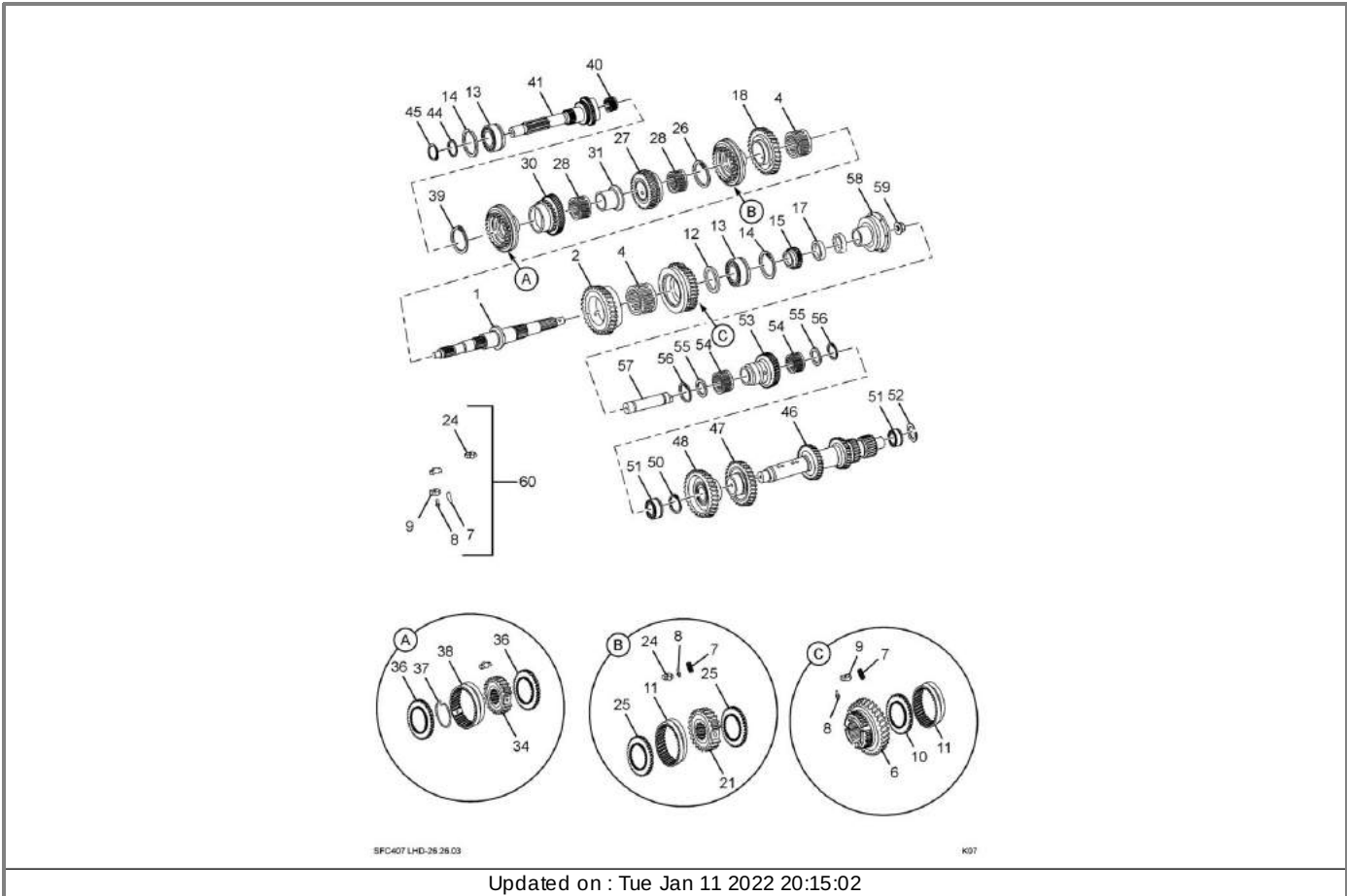
K97

Updated on : Tue Jan 11 2022 20:15:02

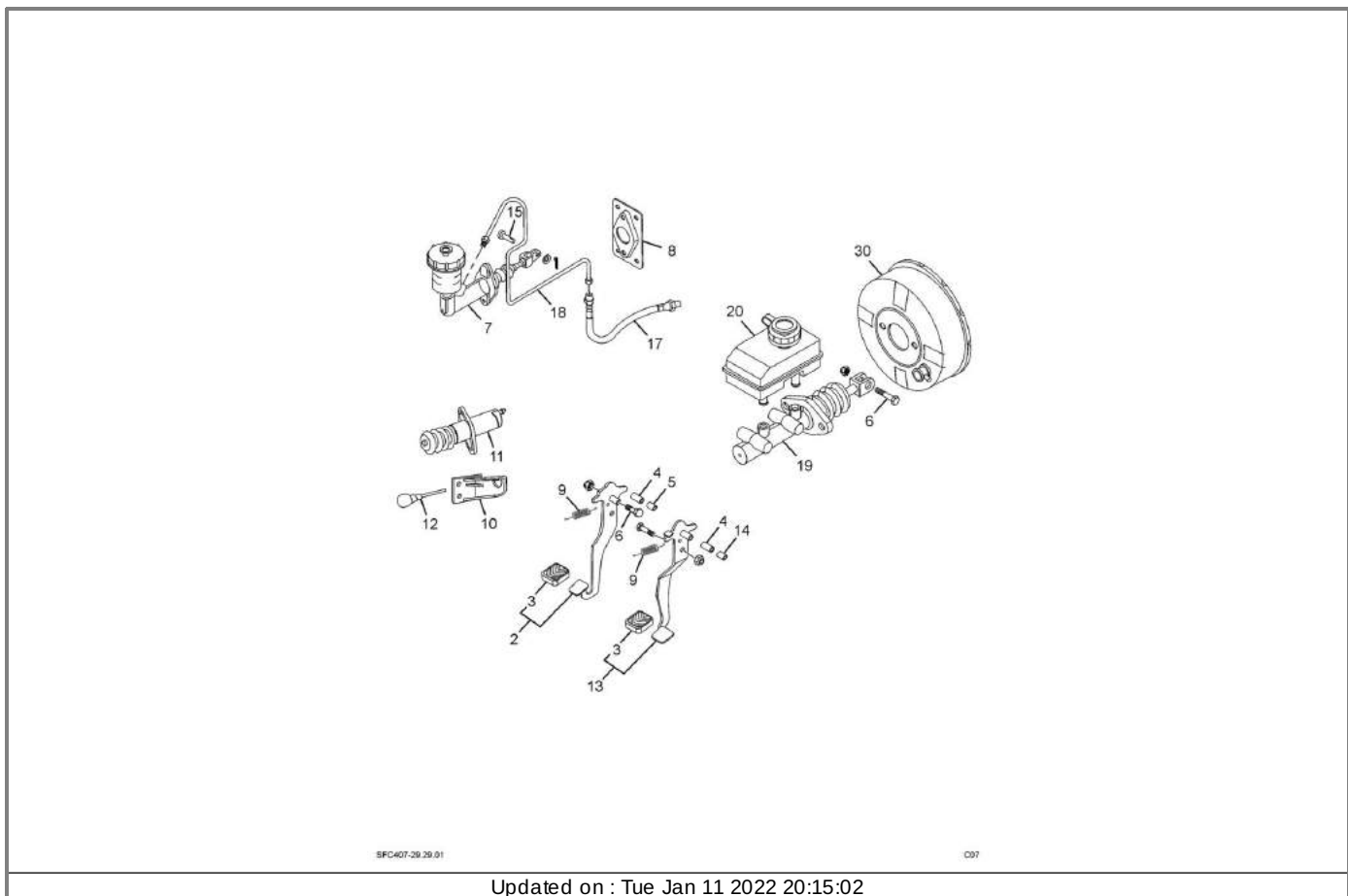
VC No : 26525527000R Group : (26) GEARBOX Table : (2515023426R.03-GEAR SHAFTS AND GEARS)				
Fig.	Part No	Part Description	Qty	Remarks
36	251526203801	SYNCHRO CONE 4/5 TH SPEED BS2/3/4	2	
37	251526208702	SPRING RING	2	
38	251526204601	SHIFTER SLEEVE 4/5 TH BS2/3/4	1	
39	251526204311	CIRCLIP 2.46 THICK	1	FOR SELECTION
39	251526204318	CIRCLIP 2.5 THICK	1	FOR SELECTION
39	251526204319	CIRCLIP 2.54 THICK	1	FOR SELECTION
39	251526204320	CIRCLIP 2.58 THICK	1	FOR SELECTION
39	251526204321	CIRCLIP 2.62 THICK	1	FOR SELECTION
39	251526204322	CIRCLIP 2.66 THICK	1	FOR SELECTION
40	251526253101	ROLLER CAGE	1	
41	251526257913	ASSY. DRIVE SHAFT (RAT 5.54) BS2	1	
44	251526258602	SPACER DRIVE SHAFT	1	
	251526258201	OIL SLINGER (DRIVE SHAFT)	1	
45	251526254306	CIRCLIP (2.5 THK)	1	FOR SELECTION
45	251526254307	CIRCLIP (2.4 THK)	1	FOR SELECTION
45	251526254308	CIRCLIP (2.3 THK)	1	FOR SELECTION
45	251526254309	CIRCLIP (2.2 THK)	1	FOR SELECTION
45	251526254310	CIRCLIP (2.1 THK)	1	FOR SELECTION
46	-	COUNTER SHAFT (GBS18-5/5.54) BS2/3/4	1	NOT SERVICED
47	251526305409	4TH GEAR COUNTER SHAFT	1	
48	-	CONSTANT MESH GEAR (COUNTER SHAFT)	1	Not Serviced
50	14550504007	EXT. CIRCLIP 40X2.5 H	1	
51	265133403129	TAPER ROLLER BEARING	1	
52	3122631452	SHIM 0.125 FOR COUNTER SHAFT	AR	FOR SELECTION
52	3122631552	SHIM 0.240 FOR COUNTER SHAFT	AR	FOR SELECTION



VC No : 26525527000R Group : (26) GEARBOX Table : (2515023426R.03-GEAR SHAFTS AND GEARS)				
Fig.	Part No	Part Description	Qty	Remarks
52	3122631652	SHIM 0.500 FOR COUNTER SHAFT	AR	FOR SELECTION
52	3122632152	SHIM 0.050 FOR COUNTER SHAFT	AR	FOR SELECTION
53	251526355402	REVERSE IDLER GEAR 22T GBS18 BS2/3/4	1	
54	251526353101	ROLLER CAGE REVERSE IDLER	2	
55	251526358601	SPACER	2	
56	14580603603	INT. CIRCLIP 36X1.5 N	2	
57	251526357901	REVERSE IDLER GEAR SHAFT	1	
58	266433355101	COUPLING FLANGE	1	
	251526208203	DUST COVER (ASSY COUPLING FLANGE)	1	
59	265141106502	HEX. NUT (M 26X1.5)	1	
60	885426060407	KIT-SYNCHRO GBS-18 BS2/3/4	1	
7	-----	COMP. SPRING	9	
8	-----	BALL PIN	6	
9	-----	CARRIER 1ST	3	
24	-----	CARRIER 2 / 3	3	
35	-----	CARRIER 4 / 5	3	



VC No : 26525527000R Group : (29) CONTROLS Table : (2651013129R.01-CLUTCH & BRAKE CONTROL)				
Fig.	Part No	Part Description	Qty	Remarks
2	265129100199	ASSY BRAKE PEDAL (KAIZEN)	1	
3	265129107703	RUBBER COVER	2	
4	265129108602	SPACER	2	
5	265129103401	SINTERED BUSH	2	
6	257329209901	CLEVIS PIN	1	
7	265129100118	CLUTCH MASTER CYL. 19.05 DIA. BS1/2/3/4	1	
8	265129200124	ASSY BRACKET	1	
9	265129308702	RETURN SPRING	2	
10	265129400108	ASSY SLAVE CYLINDER MOUNTING BRACKET	1	
11	265129100167	CLUTCH SLAVE CYLINDER 25.4 DIA. BS2/3/4	1	
12	264129300102	ASSY THRUST ROD (SLAVE CYL)	1	
13	265129100179	ASSY CLUTCH PEDAL	1	
14	265129106307	BUSH.	1	
15	265129106701	ADJUSTING ECCENTRIC PIN	1	
17	269929100169	ASSY HOSE	1	
18	265129100177	TUBE ASSY	1	
19	269843100101	TANDEM MASTER CYL.DIA.23.81 BS1/2/3/4	1	
20	265443100118	ASSY BRAKE FLUID CONTAINER	1	
30	265843500102	ASSY. VACUUM BOOSTER 10 BS1/2/3/4	1	



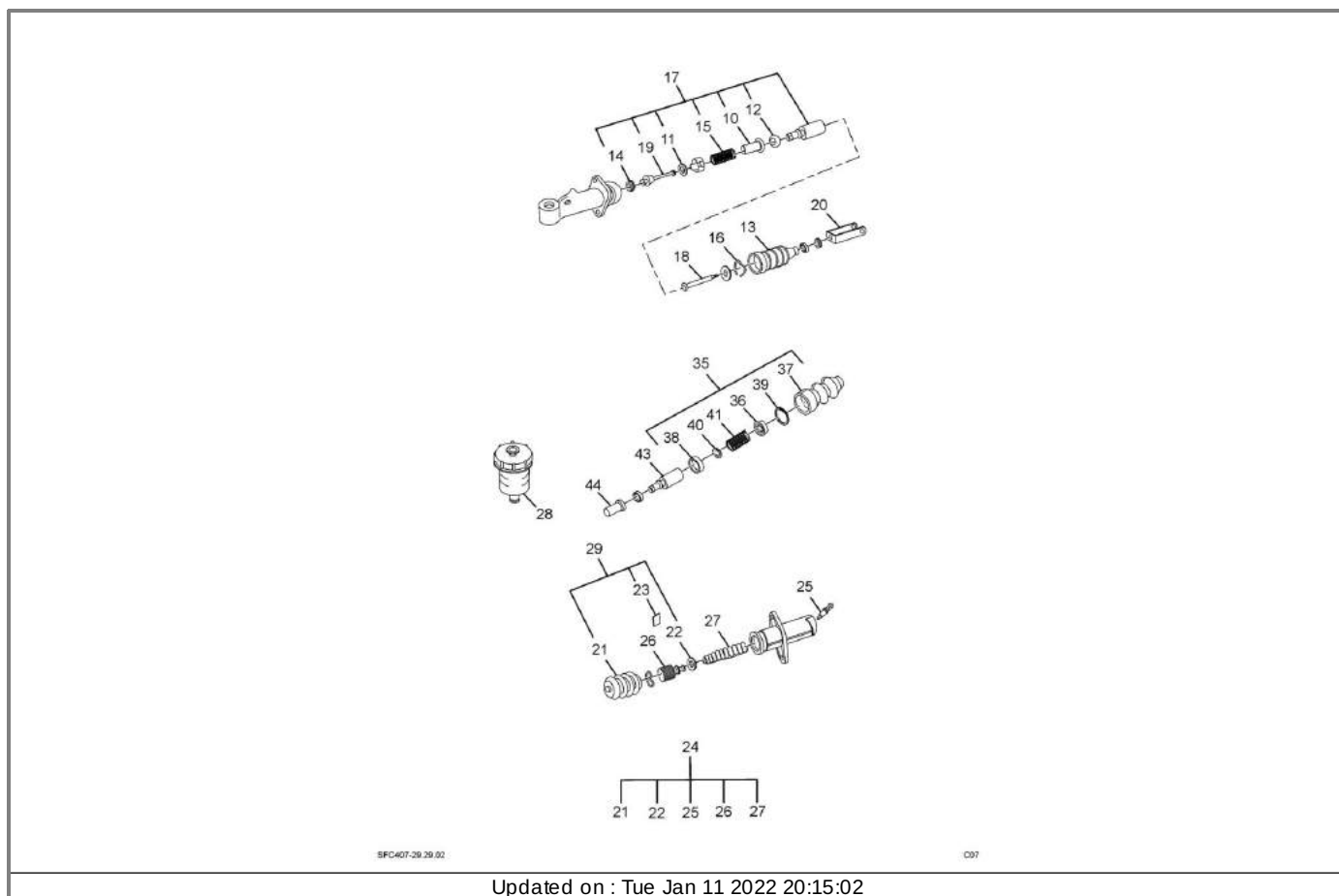
SFC407-39.29.01

097

Updated on : Tue Jan 11 2022 20:15:02

VC No : 26525527000R Group : (29) CONTROLS Table : (2651013129R.02-REPAIR KITS FOR CMC AND CSC)

Fig.	Part No	Part Description	Qty	Remarks
	269929100177	MAJOR REP KIT-CL. MASTER CYL. BS1/2/3/4	1	
	-----	(19.05 MM DIA.) CONSISTING OF (M/S BI):		
43	-----	PISTON	1	
44	-----	VALVE SPACER	1	
28	-----	ASSY FLUID RESERVOIR	1	
35	-----	MINOR REPAIR KIT	1	
35	265129100148	REPAIR KIT (MINOR) CLUTCH MASTER CYLINDER	1	
	-----	(19.05 MM DIA.) CONSISTING OF (M/S BI):		
36	-----	SEAL	1	
37	-----	RUBBER BELLOW	1	
38	-----	SEAL	1	
39	-----	CIRCLIP	1	
40	-----	SPRING WASHER	1	
41	-----	SPRING	1	
	265429200104	REPAIR KIT FOR 19.05 CMC (MAJOR) M/S KBX	1	
13	-----	BOOT	1	
17	-----	PISTON ASSY	1	
16	-----	PISTON STOP RING	1	
	265429200103	REPAIR KIT FOR 19.05 CMC (MINOR) M/S KBX	1	
	-----	GREASE PACK	1	
10	-----	SPRING RETAINER	1	
11	-----	CUP WASHER	1	
12	-----	SECONDARY SEAL	1	
13	-----	BOOT	1	
14	-----	SEAL INLET VALVE	1	



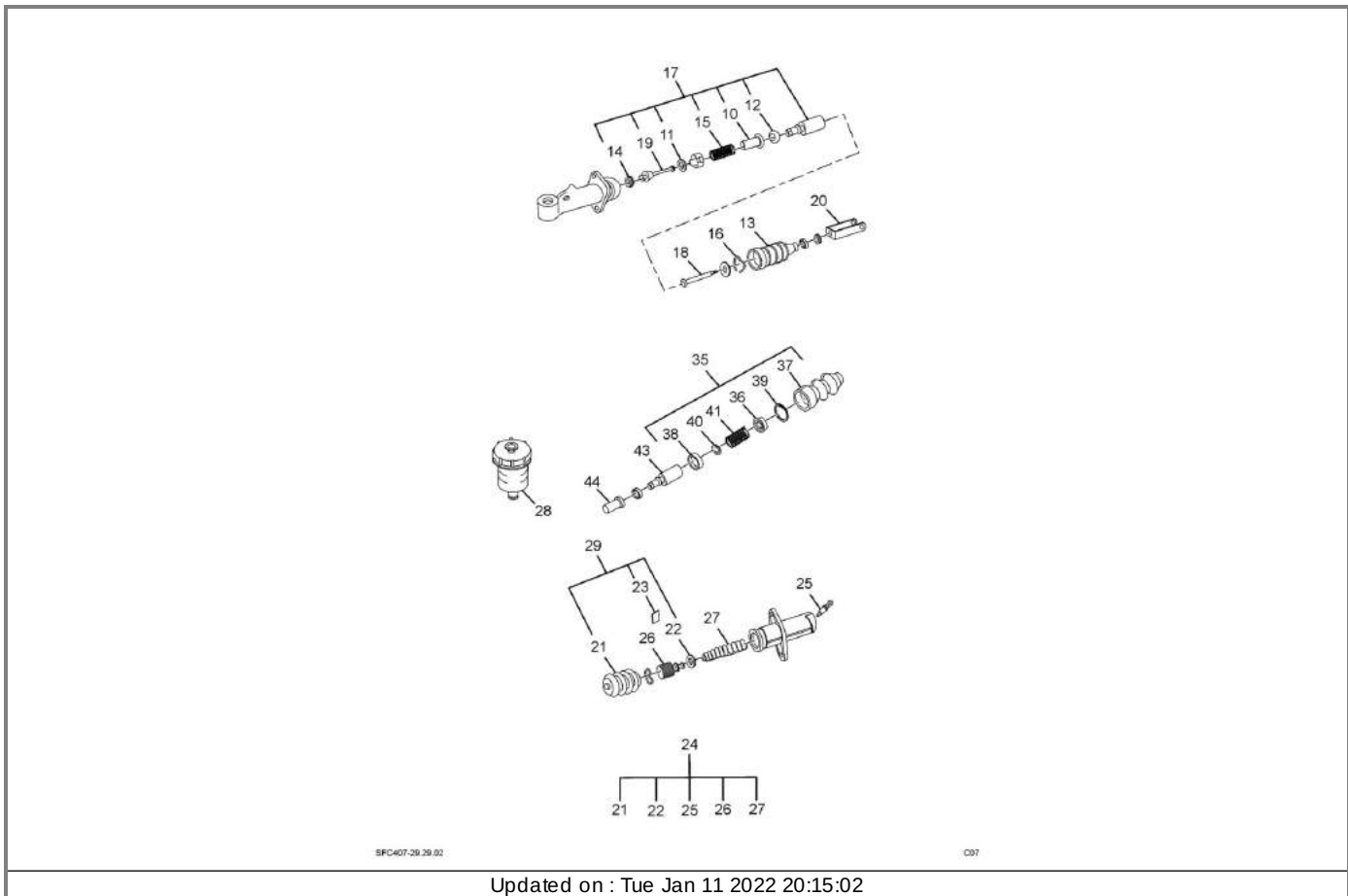
SFC407-39.29.02

C07

Updated on : Tue Jan 11 2022 20:15:02

VC No : 26525527000R Group : (29) CONTROLS Table : (2651013129R.02-REPAIR KITS FOR CMC AND CSC)

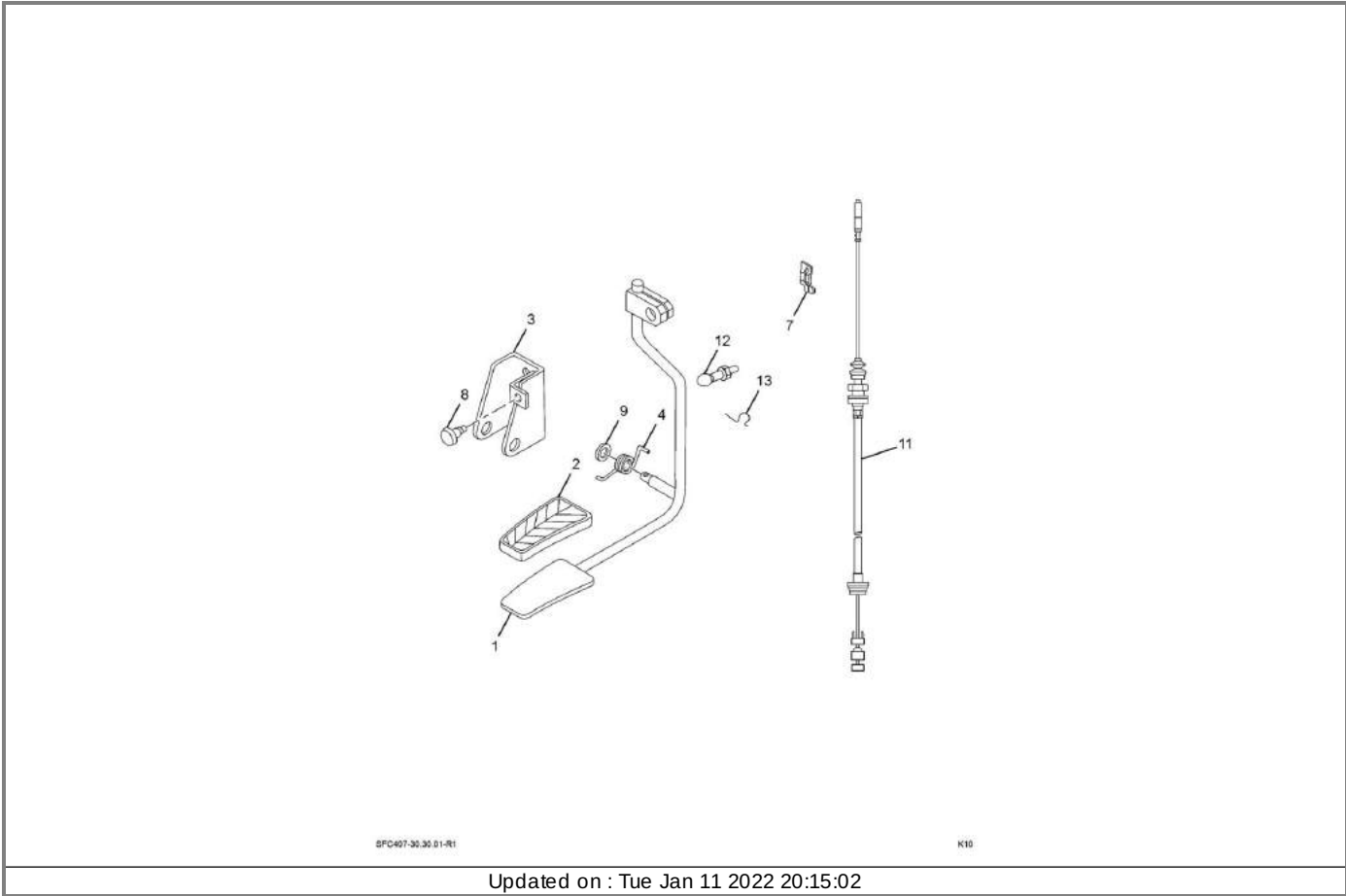
Fig.	Part No	Part Description	Qty	Remarks
15	-----	SPRING	1	
16	-----	PISTON STOP RING	1	
19	-----	PUSH ROD ASSY	1	
	-----	RESERVOIR CAP	1	
18	-----	RESERVOIR BOLT	1	
	-----	RESERVOIR BODY	1	
	-----	FILTER	1	
	-----	BOOT RING	1	
	-----	ROD,INLET	1	
	-----	CASE,INLET VALVE	1	
20	-----	SHACKLE	1	
24	265129100137	REPAIR KIT (MAJOR) CLUTCH SLAVE CYLINDER (25.4 MM DIA.) CONSISTING OF (M/S BI):	1	
26	-----	PISTON	1	
27	-----	SPRING	1	
25	-----	BLEEDER SCREW	1	
29	-----	MINOR REPAIR KIT	1	
29	265129100162	R/KIT 25.4 CLUTCH SLAVE CYL.TWIN SEAL (25.4 MM DIA.) CONSISTING OF (M/S BI):	1	
22	-----	PISTON SEAL	1	
21	-----	RUBBER BOOT	1	
23	-----	GREASE TUBE	1	



Updated on : Tue Jan 11 2022 20:15:02

VC No : 26525527000R Group : (30) ACCELERATOR Table : (2651513130R.01-ACCELERATOR CONTROL)

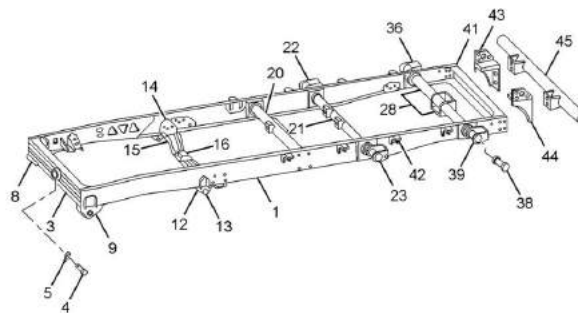
Fig.	Part No	Part Description	Qty	Remarks
1	265130100163	SUB ASSY ACCL PEDAL COMP WITH BKT-INDICA	1	
2	265130106301	RUBBER COVER FOR ACCELERATOR PEDAL	1	
3	264730100102	PEDAL MOUNTING BRACKET	1	
4	269930108701	SPRING (ACCELERATOR PEDAL RETURN)	1	
7	265142804201	HOLDER BRAKE HOSE	1	
8	265430107701	RUBBER STOPPER	1	
9	265430108601	SPACER	1	
11	265130100156	ASSY. PULL CABLE ACCEL. 1622MM BS2/3/4	1	
12	0009910522	BALL END(40MM)	1	
13	14450601005	LOCKING RING	1	



Updated on : Tue Jan 11 2022 20:15:02

VC No : 26525527000R Group : (31) FRAME Table : (2652542731R.01-FRAME)

Fig.	Part No	Part Description	Qty	Remarks
1	265231000106	ASSY FRAME	1	
3	264031200110	ASSY FRONT CROSS MEMBER (WITH TOWING HOOK)	1	
4	265131406701	PIN	1	
5	265131406702	PIN	1	
8	265132100124	ASSY FRONT SPRING BRACKET FRONT RH	1	
9	265132100123	ASSY FRONT SPRING BRACKET FRONT LH	1	
12	265132100113	ASSY FRONT SPRING BRACKET WITH BUSH REAR	2	
13	265132403401	BUSH BS1/2/3/4/6	2	
14	265131408266	SUPPORT GEAR BOX MOUNTING	2	
15	265131400140	ASSY GEAR BOX MOUNTING CROSS MEMBER	1	
16	265131400135	ASSY BRACKET	1	
20	265231400103	ASSY CROSS MEMBER (CENTER BRG.MTG.)	1	
21	265231400102	ASSY CROSS MEMBER (REAR SPRING FRONT)	1	
22	265132400132	ASSY REAR SPRING BRACKET FRONT RH	1	
23	265132400130	ASSY REAR SPRING BRACKET FRONT LH	1	
28	265231400101	ASSY REAR SPRING REAR CROSS MEMBER	1	
36	265132400165	ASSY REAR SPRING BRACKET COMP. WITH BUSH (RH)	1	
38	265132403401	BUSH BS1/2/3/4/6	2	
39	265132400164	ASSY REAR SPRING BRACKET COMP. WITH BUSH (LH)	1	
42	264131400111	ASSY CLEAT	8	FOR VEHICLE WITH LOAD BODY
43	270531700118	ASSY BRACKET-LH	1	
44	270531700119	ASSY BRACKET - RH	1	
45	270531700112	ASSY RUPD	1	FOR SFC LPT 407/410 SINGLE TYR

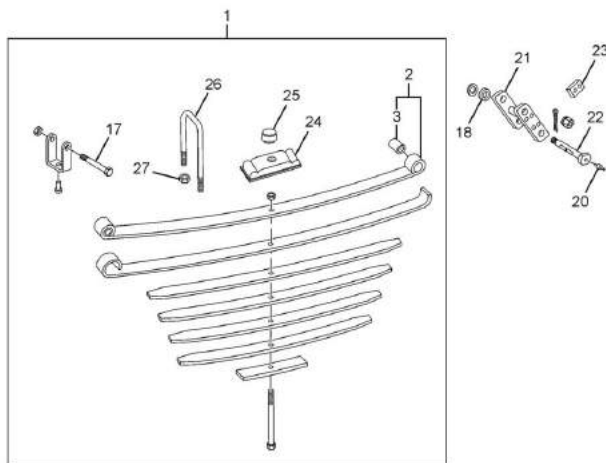


SFC407-31.31.01

007

Updated on : Tue Jan 11 2022 20:15:02

VC No : 26525527000R Group : (32) SUSPENSION Table : (2652163132R.01-FRONT SPRING AND SUSPENSION)				
Fig.	Part No	Part Description	Qty	Remarks
1	265732100121	ASSY FRONT SPRING.	2	
2	265732100122	ASSY FIRST LEAF WITH BUSHES.	2	
3	265132403401	BUSH BS1/2/3/4/6	2	
17	265132106701	SPRING PIN	2	
18	265132400126	ASSY SEALING RING	12	
20	257441109902	GREASE NIPPLE AM8X1	6	
21	265132100146	ASSY SHACKLE (FRONT SPRING)	2	
22	265132106704	SPRING PIN SHACKLE END BS1/2/3/4/6	4	
23	265132107173	LOCK PLATE	2	
24	26513210016420	SUB ASSY RUBBER BUFFER WITH GUIDE PLATE	2	
25	265132207704	RUBBER BUFFER FRONT SPRING	2	
26	265132804202	U-CLAMP	4	
27	12052396059	HEX. NUT M 12X1.5	16	



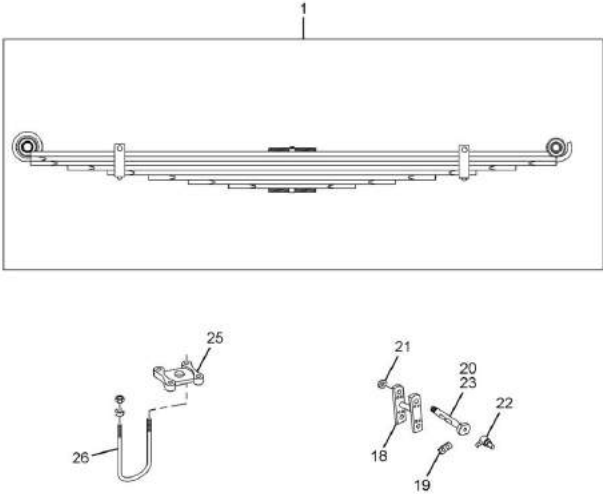
SFC407 RHD-2652163132R.01

009

Updated on : Tue Jan 11 2022 20:15:02

VC No : 26525527000R Group : (32) SUSPENSION Table : (2652163132R.02-REAR SPRING AND SUSPENSION)

Fig.	Part No	Part Description	Qty	Remarks
1	265132410108	ASSY. REAR SPRING	2	
-	265132403401	BUSH BS1/2/3/4/6	2	
18	265132400183	ASSY SHACKLE (REAR SPRING)	2	
19	265132407199	LOCK PLATE	2	
22	257441109902	GREASE NIPPLE AM8X1	6	
20	265132106704	SPRING PIN SHACKLE END BS1/2/3/4/6	4	
21	265132400126	ASSY SEALING RING	12	
23	265132106701	SPRING PIN	2	
25	265132503701	GUIDE PLATE REAR SPRING	2	
26	270532504202	U CLAMP REAR	4	
	265131400112	ASSY REAR AXLE STOPPER	2	
	270532400114	ASSY BUMP STOP BRACKET	2	



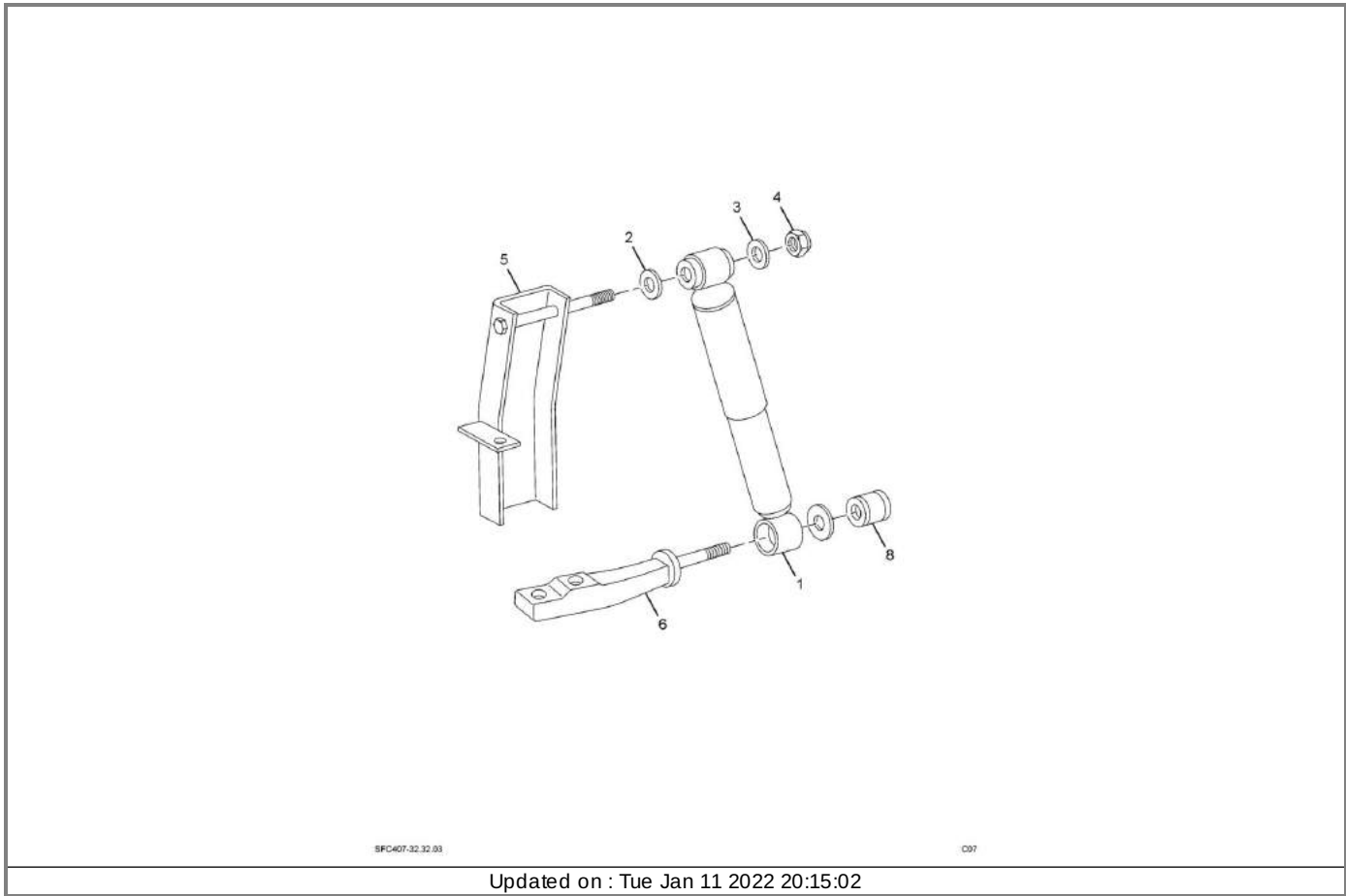
SFC407 RHD-2652163132R.02

009

Updated on : Tue Jan 11 2022 20:15:02

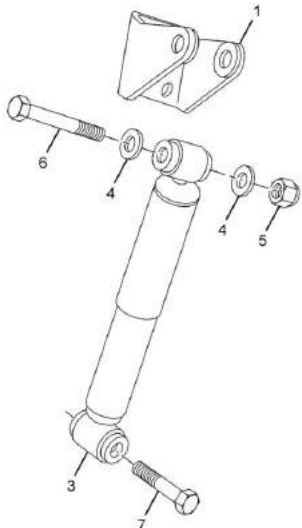
VC No : 26525527000R Group : (32) SUSPENSION Table : (2652163132R.03-FRONT SHOCK ABSORBER)

Fig.	Part No	Part Description	Qty	Remarks
1	265132300103	FRONT SHOCK ABSORBER	2	
2	265132308201	WASHER	4	
3	-----	WASHER A 15	4	
4	12140601401	NYLOC NUT M 14X15	8	
5	265132300109	ASSY BRACKET FOR FRONT SHOCK ABSORBER AND CAB MTG. RH	1	
5	265132300126	ASSY BRACKET FOR FRONT SHOCK ABSORBER AND CAB MTG. LH	1	
6	265132305107	BRACKET BOTTOM (FRONT SHOCK ABSORBER)	2	
8	265132308601	BUSH	2	



VC No : 26525527000R Group : (32) SUSPENSION Table : (2652163132R.04-REAR SHOCK ABSORBER)

Fig.	Part No	Part Description	Qty	Remarks
1	265132600130	ASSY BRACKET	2	
3	265132600121	REAR SHOCK ABSORBER	2	
4	265132608210	WASHER	4	
5	12140601606	NYLOC NUT M 16	2	
6	11063996116	HEX. BOLT M16X1.5X85	2	
7	11063916694	HEX. BOLT M16X1.5X110	2	

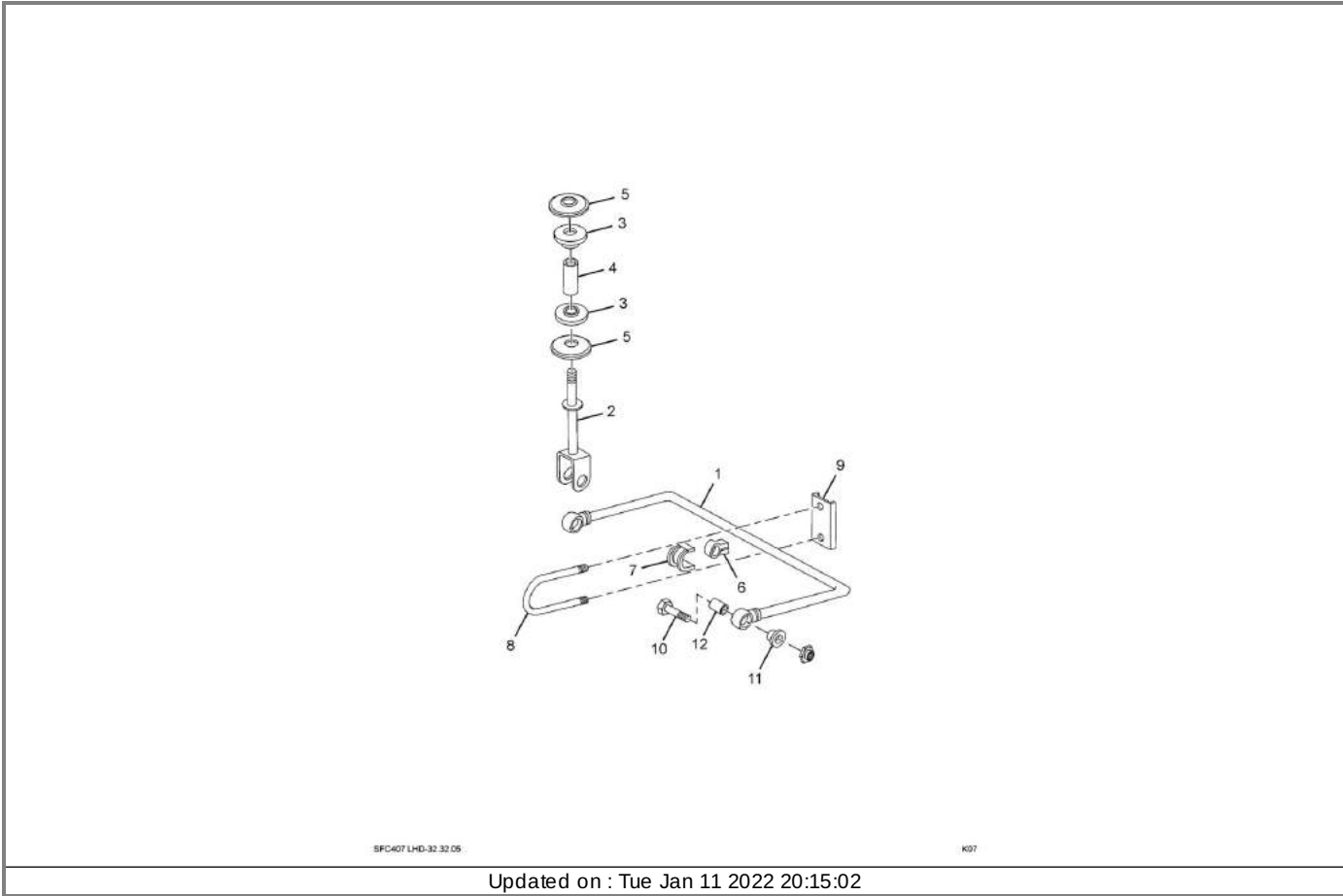


SFC407-32.32.04

C97

Updated on : Tue Jan 11 2022 20:15:02

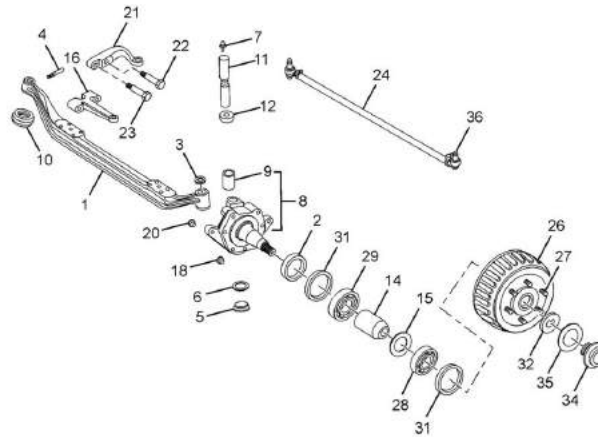
VC No : 26525527000R Group : (32) SUSPENSION Table : (2652163132R.05-FRONT ANTIROLL BAR)				
Fig.	Part No	Part Description	Qty	Remarks
1	265132800104	ASSY ANTI - ROLL BAR FRONT	1	
2	265132800105	ASSY CONNECTING ROD (FRONT ARB.)	2	
3	265132807703	RUBBER BUFFER	4	
4	265132806902	SPACER TUBE	2	
5	265132808203	CUP	4	
6	265132807705	BEARING BLOCK (FRONT ARB.)	2	
7	265132803802	CLAMP SUPPORT	2	
8	264032804202	U CLAMP (ANTI - ROLL BAR)	2	
9	264032807103	CLAMP PLATE	2	
10	11063996108	HEX BOLT M14X1.5X80	2	
11	259632807701	RUBBER BUSH	4	
12	259632806901	TUBE	2	



Updated on : Tue Jan 11 2022 20:15:02

VC No : 26525527000R Group : (33) FRONT AXLE Table : (2651013133R.01-FRONT AXLE)

Fig.	Part No	Part Description	Qty	Remarks
	265133000116	ASSY FRT.AXLE WITH BRAKES	1	
1	265133105111	FRONT AXLE BEAM STD BS2/3/4/6	1	
2	264033408601	SEAL RACE (STUB AXLE)	2	
3	265133208612	SHIM 0.8 MM THICK	AR	FOR SELECTION
3	265133208613	SHIM 0.85 MM THICK	AR	FOR SELECTION
3	265133208614	SHIM 0.9 MM THICK	AR	FOR SELECTION
3	265133208615	SHIM 0.95 MM THICK	AR	FOR SELECTION
3	265133208616	SHIM 1.0 MM THICK	AR	FOR SELECTION
3	265133208617	SHIM 1.05 MM THICK	AR	FOR SELECTION
3	265133208618	SHIM 1.1 MM THICK	AR	FOR SELECTION
3	265133208619	SHIM 1.15 MM THICK	AR	FOR SELECTION
3	265133208620	SHIM 1.2 MM THICK	AR	FOR SELECTION
4	265133109902	COTTOR BOLT	2	
5	265133209905	KING PIN CAP	4	
6	17050501230	O RING 29.82X2.65	4	
7	17170700805	GREASE NIPPLE BM 6X1	2	
8	265133200131	ASSY STUB AXLE (NORMAL)	2	
9	265133203404	STEERING BUSH	4	
10	265133403105	BEARING STEERING PIVOT (STD)	1	
11	265133206706	KING PIN (STD)	2	
12	265133403138	THRUST PAD TEXSPIN (NORMAL)	1	
14	265133209907	SPACER	2	
15	265133208630	SHIM	AR	FOR SELECTION
15	265133208631	SHIM	AR	FOR SELECTION
15	265133208632	SHIM	AR	FOR SELECTION



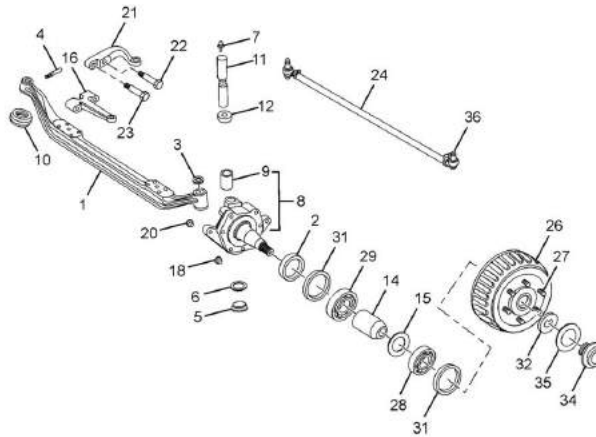
SFC407-33.33.01-R1

A08

Updated on : Tue Jan 11 2022 20:15:02

VC No : 26525527000R Group : (33) FRONT AXLE Table : (2651013133R.01-FRONT AXLE)

Fig.	Part No	Part Description	Qty	Remarks
15	265133208633	SHIM	AR	FOR SELECTION
15	265133208634	SHIM	AR	FOR SELECTION
15	265133208635	SHIM	AR	FOR SELECTION
15	265133208636	SHIM	AR	FOR SELECTION
15	265133208637	SHIM	AR	FOR SELECTION
15	265133208638	SHIM	AR	FOR SELECTION
15	265133208639	SHIM	AR	FOR SELECTION
16	265133805111	STEERING ARM	1	
18	265133206304	DUST CAP	2	
20	265133206302	DUST CAP	4	
21	265133805109	TIE ROD ARM LH	1	
21	265133805110	TIE ROD ARM RH	1	
22	265133803206	BOLT	2	
23	265133803207	BOLT	2	
24	265133800106	TIE ROD ASSY	1	
26	265133403713	FRONT BRAKE DRUM W/HUB BS2/3/4	2	
27	264040106703	WHEEL MOUNTING PIN	12	
28	250626303101	TAPER ROLLER BEARING BS2/3/4	2	
29	265135603101	TAPER ROLLER BRG. 33111 BS1/2/3/4	2	
31	265133407804	OIL SEAL FRONT WHEEL HUB BS1/2/3/4	2	
32	265133409204	THRUST WASHER	2	
34	264033408206	HUB COVER (FRONT AXLE)	2	
35	264133409202	WASHER	2	
36	265133800122	TIE ROD,END ASSY,RH - QH TALBROS LIMITED		FOR STRAIGHT TUBE WITH 24 mm D
36	265133800123	TIE ROD,END ASSY,LH- QH TALBROS LIMITED		FOR STRAIGHT TUBE WITH 24 mm D



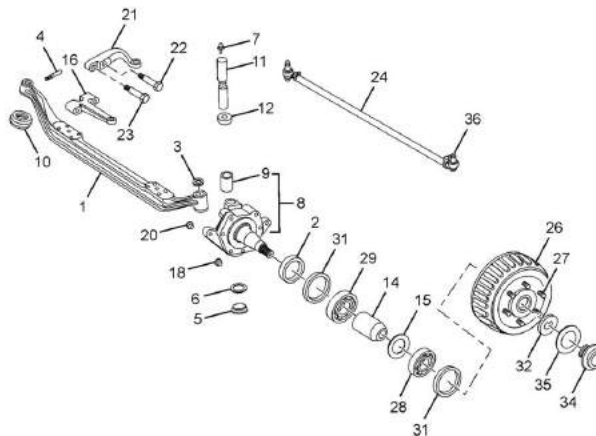
SFC407-33.33.01-R1

A08

Updated on : Tue Jan 11 2022 20:15:02

VC No : 26525527000R Group : (33) FRONT AXLE Table : (2651013133R.01-FRONT AXLE)

Fig.	Part No	Part Description	Qty	Remarks
	885433080407	KING PIN MINOR KIT CONSISTING OF:	1	
	-----	COTTER BOLT	2	
	-----	O RING	4	
	-----	CIRCLIP B-30	4	
	-----	SEALING CAP	4	
	-----	HEX NUT M8	2	
	-----	SPRING WASHER	2	
	-----	GREASE NIPPLE	4	
	885433180407	KING PIN KIT WITH MINOR KIT & BUSH STD CONSISTING OF:	1	
	-----	KING PIN STD	2	
	-----	KING PIN BUSH	4	
	-----	MINOR KIT	1	
	885433010407	KING PIN KIT WITH MINOR KIT & BUSH R/S I	1	
	-----	CONSISTING OF :		
	-----	KING PIN R/S I	2	
	-----	KING PIN BUSH	4	
	-----	MINOR KIT	1	
	885433020407	KING PIN KIT WITH MINOR KIT & BUSH R/S II	1	
	-----	CONSISTING OF :		
	-----	KING PIN R/S II	2	
	-----	KING PIN BUSH	4	
	-----	MINOR KIT	1	
	885433030407	KING PIN KIT WITH MINOR KIT & BUSH STD I CONSISTING OF:	1	
	-----	KING PIN STD I	2	
	-----	KING PIN BUSH	4	



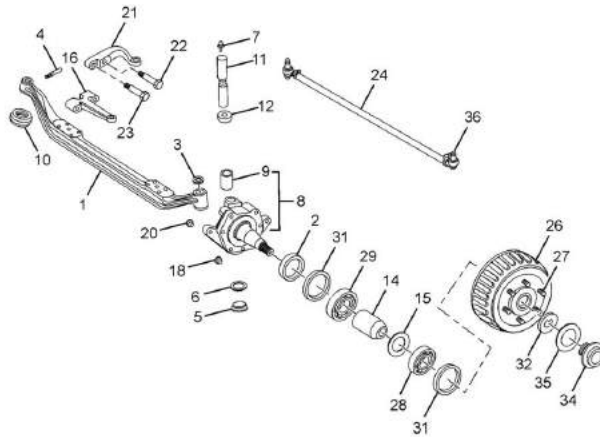
SFC407-33.33.01-R1

A08

Updated on : Tue Jan 11 2022 20:15:02

VC No : 26525527000R Group : (33) FRONT AXLE Table : (2651013133R.01-FRONT AXLE)

Fig.	Part No	Part Description	Qty	Remarks
-----	-----	MINOR KIT	1	
-----	885433040407	KING PIN KIT WITH MINOR KIT & W/O BUSH STD	1	
-----	-----	CONSISTING OF :		
-----	-----	KING PIN STD	2	
-----	-----	MINOR KIT	2	
-----	885433070407	KING PIN KIT WITH MINOR KIT & W/O BUSH STD I	1	
-----	-----	CONSISTING OF :		
-----	-----	KING PIN STD I	2	
-----	-----	MINOR KIT	2	
-----	885433050407	KING PIN KIT WITH MINOR KIT & W/O BUSH R/S I	1	
-----	-----	CONSISTING OF :		
-----	-----	KING PIN R/S I	2	
-----	-----	MINOR KIT	1	
-----	885433060407	KING PIN KIT WITH MINOR KIT & W/O BUSH R/S II	1	
-----	-----	CONSISTING OF :		
-----	-----	KING PIN R/S II	2	
-----	-----	MINOR KIT	1	



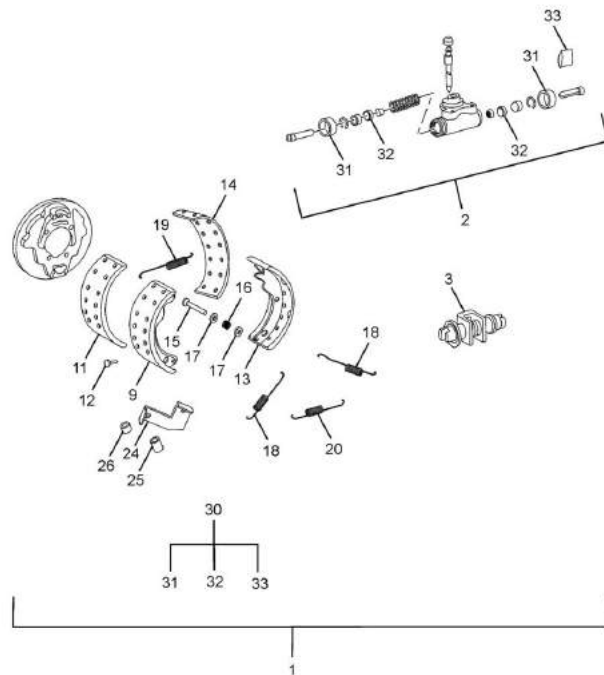
SFC407-33.33.01-R1

A08

Updated on : Tue Jan 11 2022 20:15:02

VC No : 26525527000R Group : (33) FRONT AXLE Table : (2651013133R.02-FRONT WHEEL BRAKES)

Fig.	Part No	Part Description	Qty	Remarks
1	265142100171	ASSY FRONT AXLE BRAKE-LH	1	
1	265142100172	ASSY FRONT AXLE BRAKE-RH	1	
2	264042120105	WHEEL CYLINDER 22.22 DIA. BS2/3/4	2	
3	265142100121	BRAKE ADJUSTER MECHANICAL BS2/4	2	
9	265242130101	ASSY BRAKE SHOE W/LINING PRIM-SA63SM	2	
11	264042136306	BRAKE LINING PRIMARY NORMAL, 9.8 MM THICK	2	FOR SELECTION
11	265142136326	BRAKE LINING PRIMARY R/S I, 10.8 MM THICK	2	FOR SELECTION
11	264042136308	BRAKE LINING PRIMARY R/S II, 11.8 MM THICK	2	FOR SELECTION
12	13442506102	HOLLOW RIVET 6X10 ST.	12	
13	265242130102	ASSY BRK SHOE W/LINING SEC-SA63SM (ASB)	2	
14	265142136328	BRAKE LINING SECONDARY NORMAL 9.8 MM THICK	2	FOR SELECTION
14	264042136303	BRAKE LINING SECONDARY R/S I 10.8 MM THICK	2	FOR SELECTION
14	264042136304	BRAKE LINING SECONDARY R/S II 11.8 MM THICK	2	FOR SELECTION
15	264042106701	PIN	4	
16	265142308701	SPRING (AXIAL RETAINING)	4	
17	265142308215	COVER	4	
18	264042108705	RETURN SPRING (CENTRE)	4	
19	264042108704	SPRING (SHOE RETURN TOP)	2	
20	265142108706	RETURN SPRING (BOTTOM)	2	
24	265142107103	LOCK PLATE	2	
25	265142107707	PLUG	4	
26	265142307705	PLUG	4	
	-----	REPAIR KITS		
30	264042120108	REPAIR KIT (MINOR) FOR WHEEL CYLINDER	1	
	-----	(22.22 MM DIA.) CONSISTING OF :		

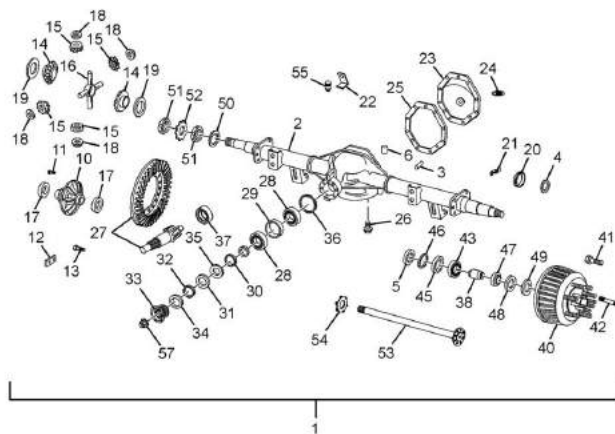


SFC407-42-42-01-R1

A08

Updated on : Tue Jan 11 2022 20:15:02

VC No : 26525527000R Group : (35) REAR AXLE Table : (2665040235R.01-REAR AXLE (SINGLE TYRE))				
Fig.	Part No	Part Description	Qty	Remarks
1	266535000114	ASSY RA COMP. WITH BRK. AND HAND BRAKE CABLE	1	
2	266535100106	ASSY R.A.HSG. WITH SUPPORTING TUBE	1	
3	265142803401	THREADED PLUG	2	
4	265135108202	SLINGER	2	
5	265135108602	PRESSURE RING	2	
6	265135106701	CYLINDRICAL PIN	12	
10	265135300101	ASSY. DIFFERENTIAL HOUSING BS2/3/4	1	
11	265135308002	HEX. COLLAR BOLT DIFFERENTIAL	8	
12	265135306101	LOCKING PLATE DIFFERENTIAL	8	
13	265135308001	HEX. COLLAR BOLT (CROWN WHEEL)	16	
17	266535303112	TAPER ROLLER BEARING DIFFERENTIAL	2	
18	265135309210	SPHERICAL WASHER	4	
19	265135309202	THRUST WASHER 1.25 THICK	2	FOR SELECTION
19	265135309203	THRUST WASHER 1.30 THICK	2	FOR SELECTION
19	265135309204	THRUST WASHER 1.35 THICK	2	FOR SELECTION
19	265135309205	THRUST WASHER 1.40 THICK	2	FOR SELECTION
19	265135309206	THRUST WASHER 1.45 THICK	2	FOR SELECTION
19	265135309207	THRUST WASHER 1.50 THICK	2	FOR SELECTION
19	265135309208	THRUST WASHER 1.55 THICK	2	FOR SELECTION
20	265135306502	THREADED RING DIFFERENTIAL	2	
21	265135308202	LOCKING PLATE	2	
22	3129941201	LOCKING PLATE	2	
23	265135100102	ASSY REAR COVER	1	
24	0009970006J	PLUG OIL FILLING	1	
25	265135105301	GASKET REAR COVER	1	

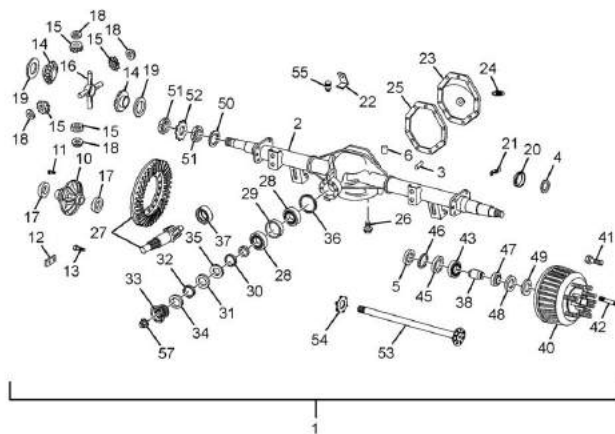


SFC407 LHD-35 35 01

K97

Updated on : Tue Jan 11 2022 20:15:02

VC No : 26525527000R Group : (35) REAR AXLE Table : (2665040235R.01-REAR AXLE (SINGLE TYRE))				
Fig.	Part No	Part Description	Qty	Remarks
26	266335107207	MAGNETIC DRAIN PLUG BS1/2/3/4	1	
27	266535300124	ASSY. CROWN & PINION (GLEASON)35/9 BS2-4	1	
	265135308001	HEX SCREW (CROWN WHEEL)	16	
28	265135303102	TAPER ROLLER BEARING TAIL PINION	2	
29	265135308602	SPACER BET HYP. PINION BEARING	1	
30	266535308601	SPACER BET FLANGE	1	
31	266535306501	THREADED RING TAIL PINION	1	
32	265135307701	OIL SEAL 48X65X10 BS2/3/4	1	
33	266433350101	ASSY COUPLING FLANGE	1	
34	266535308201	DUST COVER	1	
57	265141106502	HEX. NUT (M 26X1.5)	1	
35	265135308607	SPACER RING TAIL PINION 7.50 THICK	1	FOR SELECTION
35	265135308608	SPACER RING TAIL PINION 7.48 THICK	1	FOR SELECTION
35	265135308620	SPACER RING TAIL PINION 7.60 THICK	1	FOR SELECTION
35	265135308623	SPACER RING TAIL PINION 7.90 THICK	1	FOR SELECTION
35	265135308627	SPACER RING TAIL PINION 7.74 THICK	1	FOR SELECTION
35	265135308628	SPACER RING TAIL PINION 7.76 THICK	1	FOR SELECTION
35	265135308630	SPACER RING TAIL PINION 7.82 THICK	1	FOR SELECTION
35	265135308631	SPACER RING TAIL PINION 7.84 THICK	1	FOR SELECTION
35	265135308632	SPACER RING TAIL PINION 7.86 THICK	1	FOR SELECTION
35	265135308633	SPACER RING TAIL PINION 7.88 THICK	1	FOR SELECTION
35	265135308639	SPACER RING TAIL PINION 7.92 THICK	1	FOR SELECTION
35	265135308640	SPACER RING TAIL PINION 7.94 THICK	1	FOR SELECTION
35	265135308641	SPACER RING TAIL PINION 7.96 THICK	1	FOR SELECTION
35	265135308642	SPACER RING TAIL PINION 7.98 THICK	1	FOR SELECTION

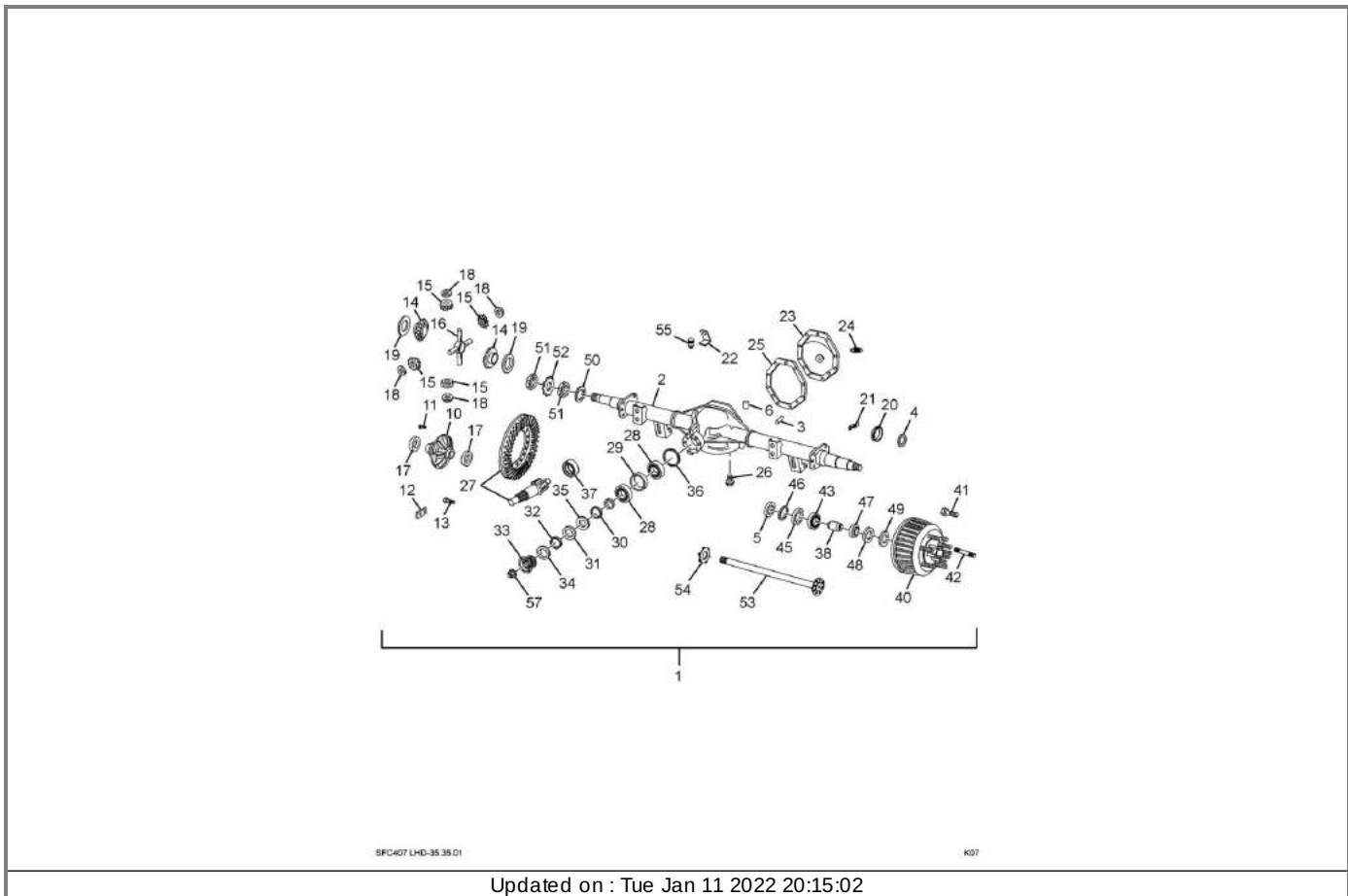


SFC407 LHD-35 35.01

K97

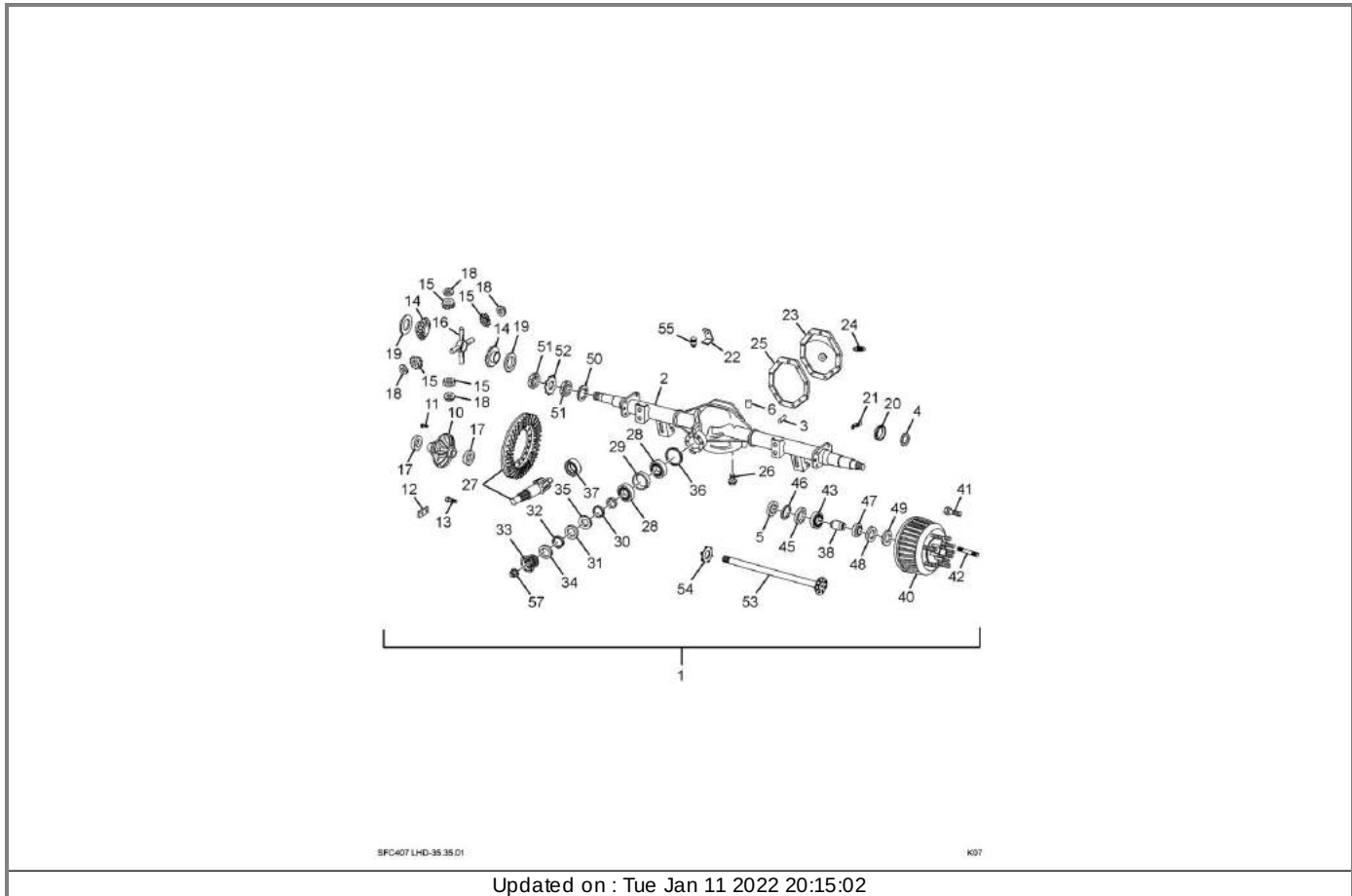
Updated on : Tue Jan 11 2022 20:15:02

VC No : 26525527000R Group : (35) REAR AXLE Table : (2665040235R.01-REAR AXLE (SINGLE TYRE))				
Fig.	Part No	Part Description	Qty	Remarks
36	265135308303	SHIM 0.10 THICK	AR	FOR SELECTION
36	265135308304	SHIM 0.15 THICK	AR	FOR SELECTION
36	265135308305	SHIM 0.20 THICK	AR	FOR SELECTION
36	265135308306	SHIM 0.25 THICK	AR	FOR SELECTION
36	265135308307	SHIM 0.50 THICK	AR	FOR SELECTION
36	265135308308	SHIM 1.50 THICK	AR	FOR SELECTION
36	265135308309	SHIM 0.30 THICK	AR	FOR SELECTION
37	265135303103	CYLINDRICAL ROLLER BEARING TAIL PINION	1	
38	266535608601	SPACER TUBE (BETWEEN HUB BEARING)	2	
40	266535603701	REAR BRAKE DRUM W/HUB M16 STUD BS2/3/4	2	
41	264040106703	HUB PIN	12	
42	266535608801	STUD	12	
43	265135603101	TAPER ROLLER BRG. 33111 BS1/2/3/4	2	
45	265135608602	SPACER BET OIL SEAL AND INNER BEARING	2	
46	265135607701	OIL SEAL HUB INNER	2	
47	266535603108	TAPER ROLLER BEARING HUB OUTER	2	
48	265135608603	SPACER OIL SEAL AND OUTER BEARING	2	
49	265135607702	OIL SEAL HUB OUTER	2	
50	265135608605	SPACER BETWEEN OUTER BEARING AND LOCKING RING	2	
51	265135606501	LOCKING RING	4	
52	266535605301	GASKET HUB	2	
53	266535707902	REAR AXLE SHAFT	2	
54	266535605301	GASKET	2	
55	266835150102	PRESSURE RELIEF VALVE	1	
	266535300177	ASSY. DIFF. GEAR W/SPIDER BS2/3/4/6	1	



Updated on : Tue Jan 11 2022 20:15:02

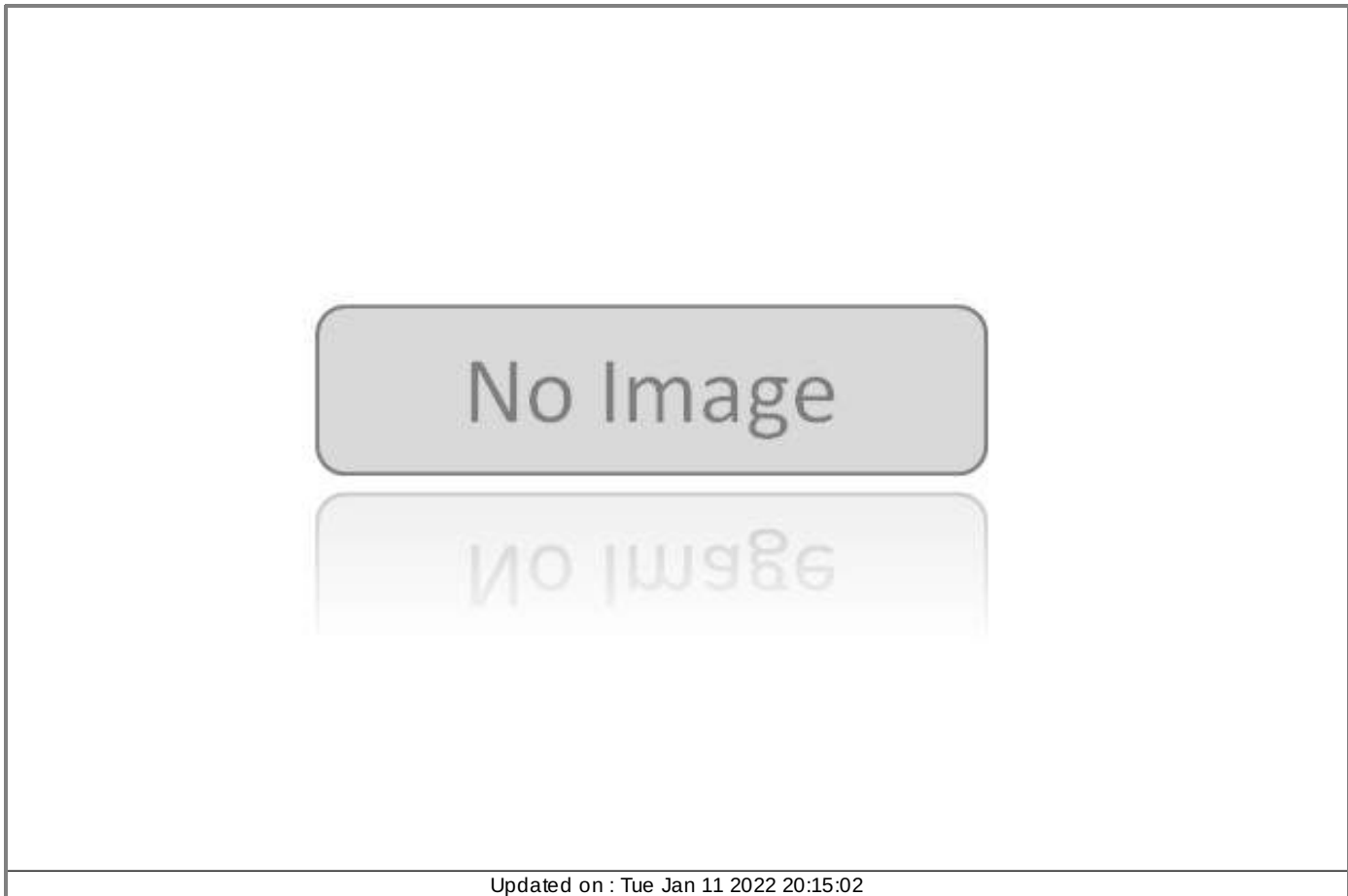
VC No : 26525527000R Group : (35) REAR AXLE Table : (2665040235R.01-REAR AXLE (SINGLE TYRE))				
Fig.	Part No	Part Description	Qty	Remarks
14	265135305406	REAR AXLE SHAFT GEAR	2	
15	265135305405	DIFFERENTIAL BEVEL PINION	4	
16	265135305103	DIFFERENTIAL SPIDER	1	
18	265135309210	SPHERICAL WASHER	4	
19	-----	THRUST WASHER	2	



Updated on : Tue Jan 11 2022 20:15:02

VC No : 26525527000R Group : (35) REAR AXLE Table : (2665040235R.02-REAR AXLE (SINGLE TYRECHINA BEAM))

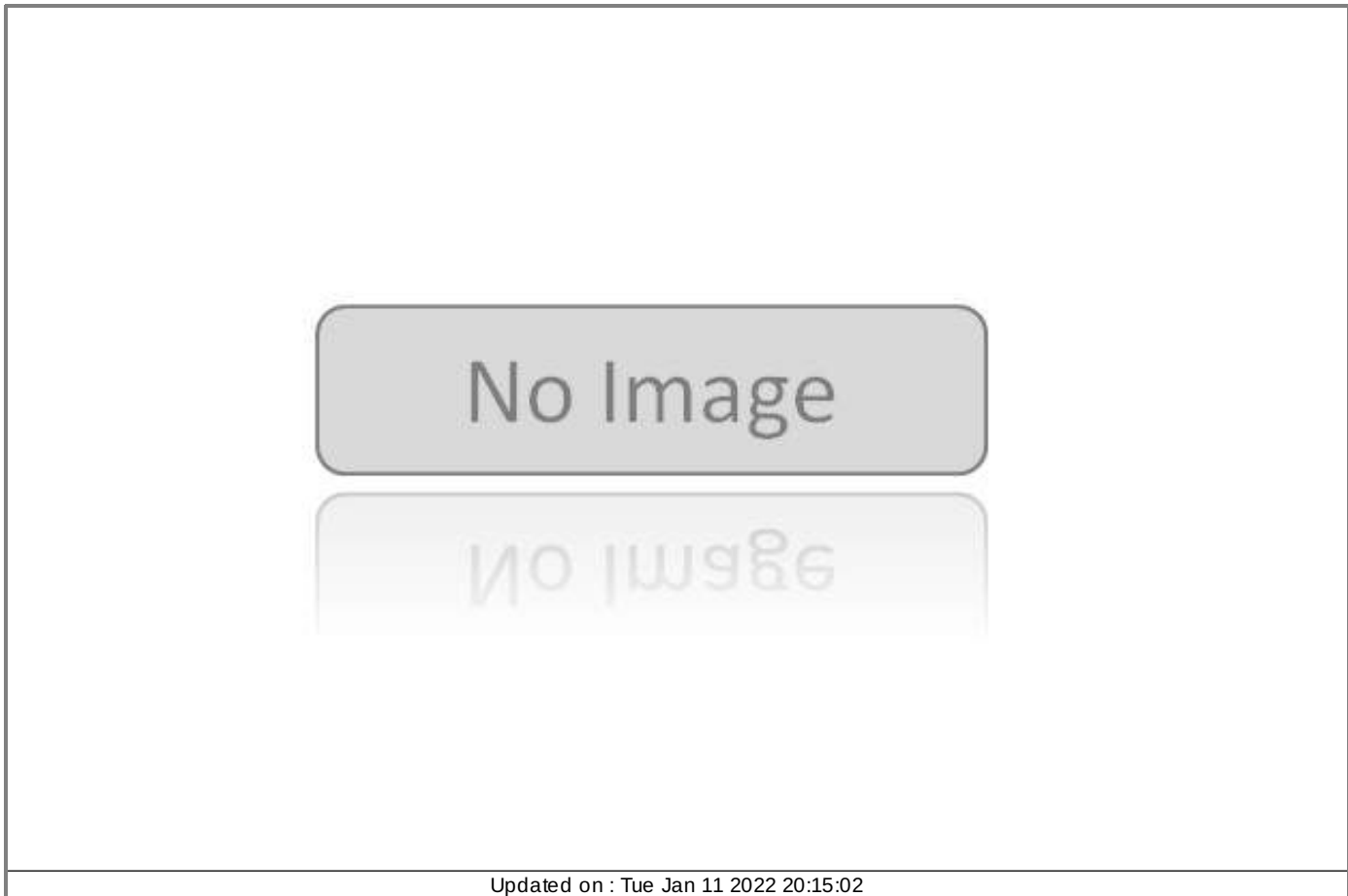
Fig.	Part No	Part Description	Qty	Remarks
	266535000137	ASSY REAR AXLE WITH BRKS 35/9 W/SD CHINA BEAM	1	
1	-	ASSY RA WITH HUBS 35/9 W/SD CHINA BEAM	1	NOT SERVICEABLE
2	266535100120	ASSY REAR AXLE BEAM (MACHINED) SD CHINA	1	
3	266535110103	ASSY CARRIER HOUSING	1	
5	265135108602	PRESSURE RING	2	
10	265135300101	ASSY. DIFFERENTIAL HOUSING BS2/3/4	1	
11	265135308002	HEX. COLLAR BOLT DIFFERENTIAL	8	
12	265135306101	LOCKING PLATE DIFFERENTIAL	8	
13	265135308001	HEX. COLLAR BOLT (CROWN WHEEL)	16	
17	266535303112	TAPER ROLLER BEARING DIFFERENTIAL	2	
18	265135309210	SPHERICAL WASHER	4	
19	265135309202	THRUST WASHER 1.25 THICK	2	
19	265135309203	THRUST WASHER 1.30 THICK	2	
19	265135309204	THRUST WASHER 1.35 THICK	2	
19	265135309205	THRUST WASHER 1.40 THICK	2	
19	265135309206	THRUST WASHER 1.45 THICK	2	
19	265135309207	THRUST WASHER 1.50 THICK	2	
19	265135309208	THRUST WASHER 1.55 THICK	2	
20	265135306502	THREADED RING DIFFERENTIAL	2	
21	265135308202	LOCKING PLATE	2	
22	3129941201	LOCKING PLATE	2	
25	266535115301	GASKET (BETWEEN CARRIER & BEAM)	1	
26	266335107207	MAGNETIC DRAIN PLUG BS1/2/3/4	2	
27	266535300124	ASSY. CROWN & PINION (GLEASON)35/9 BS2-4	1	
	265135308001	HEX SCREW (CROWN WHEEL)	16	



Updated on : Tue Jan 11 2022 20:15:02

VC No : 26525527000R Group : (35) REAR AXLE Table : (2665040235R.02-REAR AXLE (SINGLE TYRECHINA BEAM))

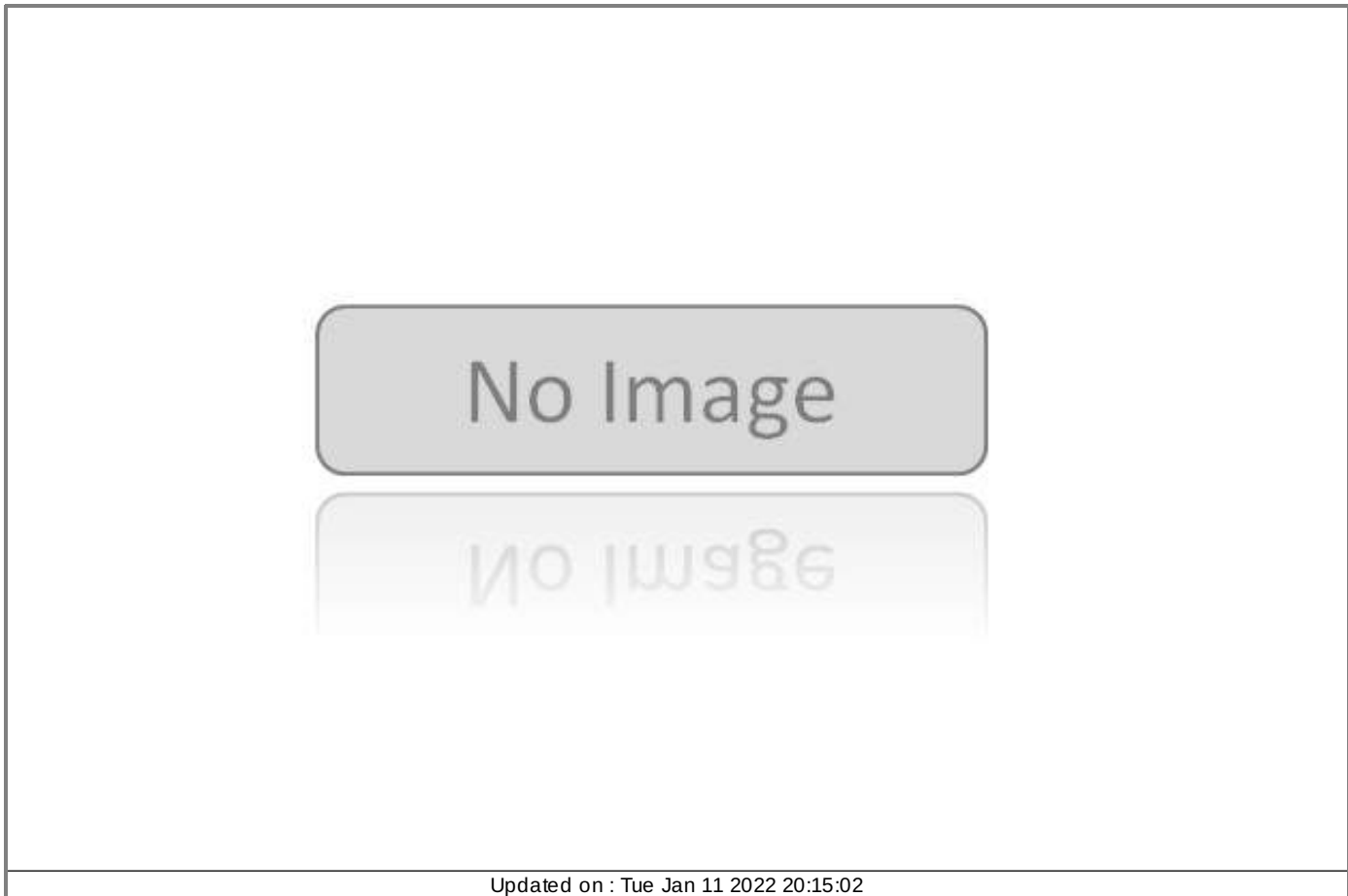
Fig.	Part No	Part Description	Qty	Remarks
28	265135303102	TAPER ROLLER BEARING TAIL PINION	2	
29	265135308602	SPACER BET HYP. PINION BEARING	1	
30	266535308601	SPACER BET FLANGE	1	
31	266535306501	THREADED RING TAIL PINION	1	
32	265135307701	OIL SEAL 48X65X10 BS2/3/4	1	
33	266433350101	ASSY COUPLING FLANGE	1	
34	266535308201	DUST COVER	1	
57	265141106502	HEX. NUT (M 26X1.5)	1	
35	265135308607	SPACER RING TAIL PINION 7.50 THICK	1	
35	265135308608	SPACER RING TAIL PINION 7.48 THICK	1	
35	265135308620	SPACER RING TAIL PINION 7.60 THICK	1	
35	265135308623	SPACER RING TAIL PINION 7.90 THICK	1	
35	265135308627	SPACER RING TAIL PINION 7.74 THICK	1	
35	265135308628	SPACER RING TAIL PINION 7.76 THICK	1	
35	265135308630	SPACER RING TAIL PINION 7.82 THICK	1	
35	265135308631	SPACER RING TAIL PINION 7.84 THICK	1	
35	265135308632	SPACER RING TAIL PINION 7.86 THICK	1	
35	265135308633	SPACER RING TAIL PINION 7.88 THICK	1	
35	265135308639	SPACER RING TAIL PINION 7.92 THICK	1	
35	265135308640	SPACER RING TAIL PINION 7.94 THICK	1	
35	265135308641	SPACER RING TAIL PINION 7.96 THICK	1	
35	265135308642	SPACER RING TAIL PINION 7.98 THICK	1	
36	265135308303	SHIM 0.10 THICK	AR	
36	265135308304	SHIM 0.15 THICK	AR	
36	265135308305	SHIM 0.20 THICK	AR	



Updated on : Tue Jan 11 2022 20:15:02

VC No : 26525527000R Group : (35) REAR AXLE Table : (2665040235R.02-REAR AXLE (SINGLE TYRECHINA BEAM))

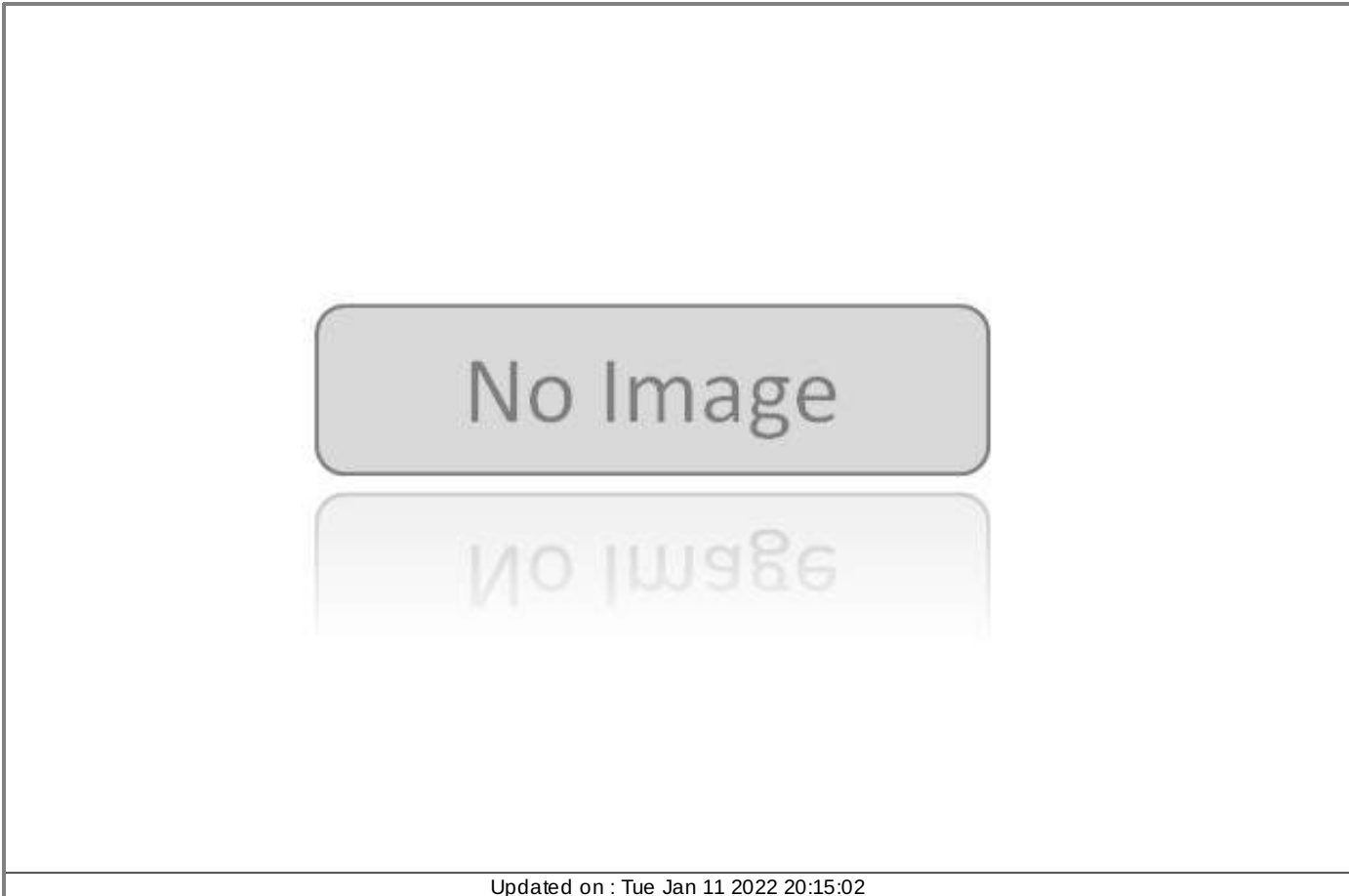
Fig.	Part No	Part Description	Qty	Remarks
36	265135308306	SHIM 0.25 THICK	AR	
36	265135308307	SHIM 0.50 THICK	AR	
36	265135308308	SHIM 1.50 THICK	AR	
36	265135308309	SHIM 0.30 THICK	AR	
37	265135303103	CYLINDRICAL ROLLER BEARING TAIL PINION	1	
38	266535608601	SPACER TUBE (BETWEEN HUB BEARING)	2	
40	266535603701	REAR BRAKE DRUM W/HUB M16 STUD BS2/3/4	2	
41	264040106703	HUB PIN	12	
42	266535608801	STUD	12	
43	265135603101	TAPER ROLLER BRG. 33111 BS1/2/3/4	2	
45	265135608602	SPACER BET OIL SEAL AND INNER BEARING	2	
46	265135607701	OIL SEAL HUB INNER	2	
47	266535603108	TAPER ROLLER BEARING HUB OUTER	2	
48	265135608603	SPACER OIL SEAL AND OUTER BEARING	2	
49	265135607702	OIL SEAL HUB OUTER	2	
50	265135608605	SPACER BETWEEN OUTER BEARING AND LOCKING RING	2	
51	265135606501	LOCKING RING	4	
52	266535605301	GASKET HUB	2	
53	266535707902	REAR AXLE SHAFT	2	
54	266535605301	GASKET	2	
55	266835150102	PRESSURE RELIEF VALVE	1	
	266535300177	ASSY. DIFF. GEAR W/SPIDER BS2/3/4/6	1	
	-----	CONSISTING OF :		
14	265135305406	REAR AXLE SHAFT GEAR	2	
15	265135305405	DIFFERENTIAL BEVEL PINION	4	



Updated on : Tue Jan 11 2022 20:15:02

VC No : 26525527000R Group : (35) REAR AXLE Table : (2665040235R.02-REAR AXLE (SINGLE TYRECHINA BEAM))

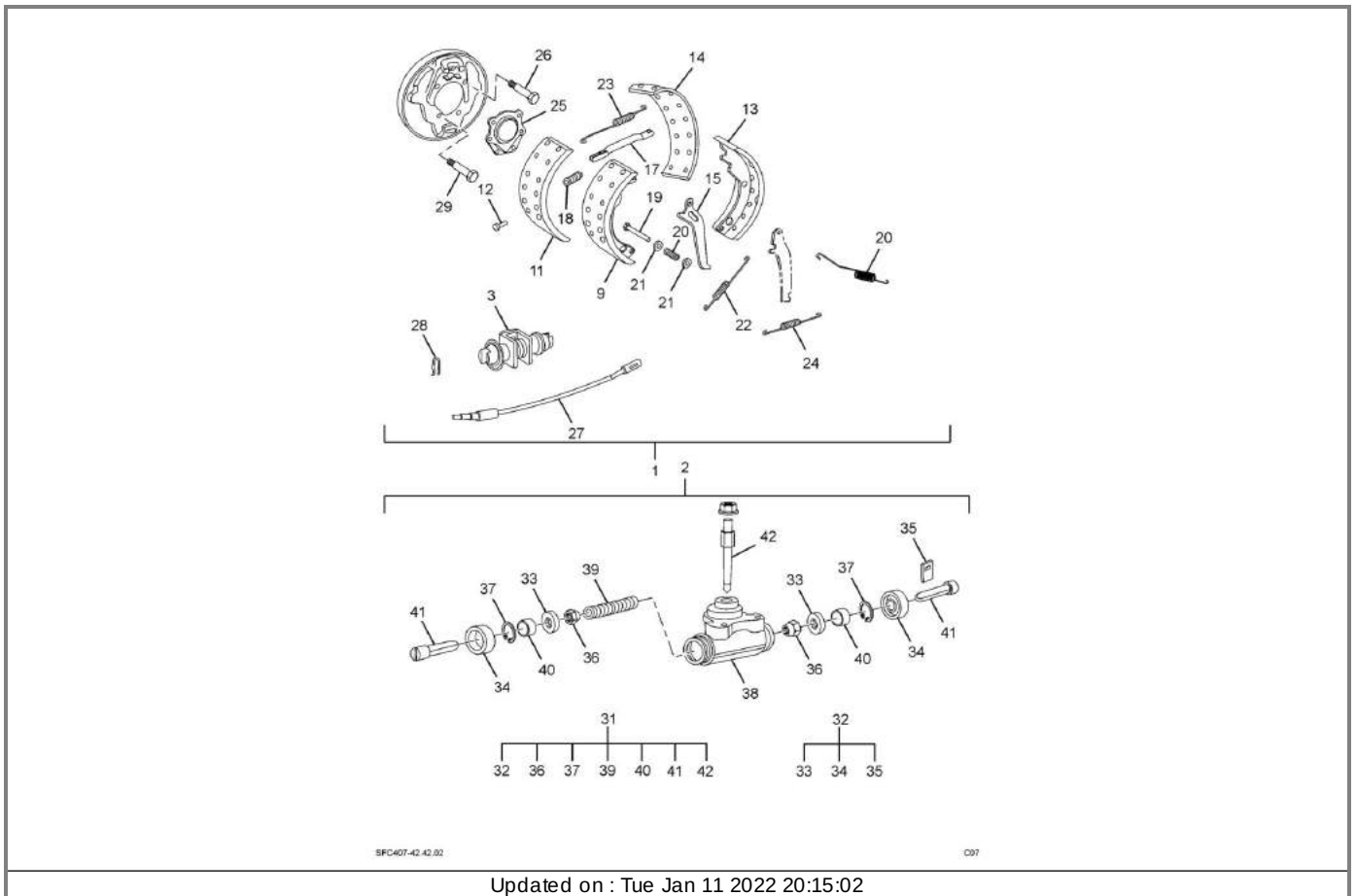
Fig.	Part No	Part Description	Qty	Remarks
16	265135305103	DIFFERENTIAL SPIDER	1	
18	265135309210	SPHERICAL WASHER	4	
19	-----	THRUST WASHER	2	



Updated on : Tue Jan 11 2022 20:15:02

VC No : 26525527000R Group : (35) REAR AXLE Table : (2665040235R.03-REAR WHEEL BRAKES)

Fig.	Part No	Part Description	Qty	Remarks
1	265142310164	ASSY REAR AXLE BRAKE LH (SFC 406)	1	
1	265142310165	ASSY REAR AXLE BRAKE RH (SFC 406)	1	
2	265142300165	17.78 DIA.WHEEL CYLINDER BS2	2	
3	265142100121	BRAKE ADJUSTER MECHANICAL BS2/4	2	
9	265242130101	ASSY BRAKE SHOE W/LINING PRIM-SA63SM	2	
11	264042136306	BRAKE LINING PRIMARY NORMAL, 9.8 MM THICK	2	FOR SELECTION
11	265142136326	BRAKE LINING PRIMARY R/S I, 10.8 MM THICK	2	FOR SELECTION
11	264042136308	BRAKE LINING PRIMARY R/S II, 11.8 MM THICK	2	FOR SELECTION
12	13442506102	HOLLOW RIVET 6X10 ST.	12	
13	265242130102	ASSY BRAKE SHOE W/LINING PRIM-SA63SM	2	
14	265142136328	BRAKE LINING SECONDARY NORMAL 9.8 MM THICK	2	FOR SELECTION
14	264042136303	BRAKE LINING SECONDARY R/S I 10.8 MM THICK	2	FOR SELECTION
14	264042136304	BRAKE LINING SECONDARY R/S II 11.8 MM THICK	2	FOR SELECTION
15	-	BRAKE LEVER RH	1	NOT SERVICED
15	-	BRAKE LEVER LH	1	NOT SERVICED
17	264042300105	ASSY THRUST ROD LH	1	
17	264042300106	ASSY THRUST ROD RH	1	
18	264042308701	THRUST SPRING	2	
19	264042106701	PIN	4	
20	265142308701	SPRING (AXIAL RETAINING)	4	
21	265142308215	COVER	4	
22	264042108705	RETURN SPRING (CENTRE)	4	
23	264042108704	SPRING	2	
24	265142108706	SPRING (SHOE RETURN BOTTOM)	2	
25	265142308233	OIL CATCHER	2	

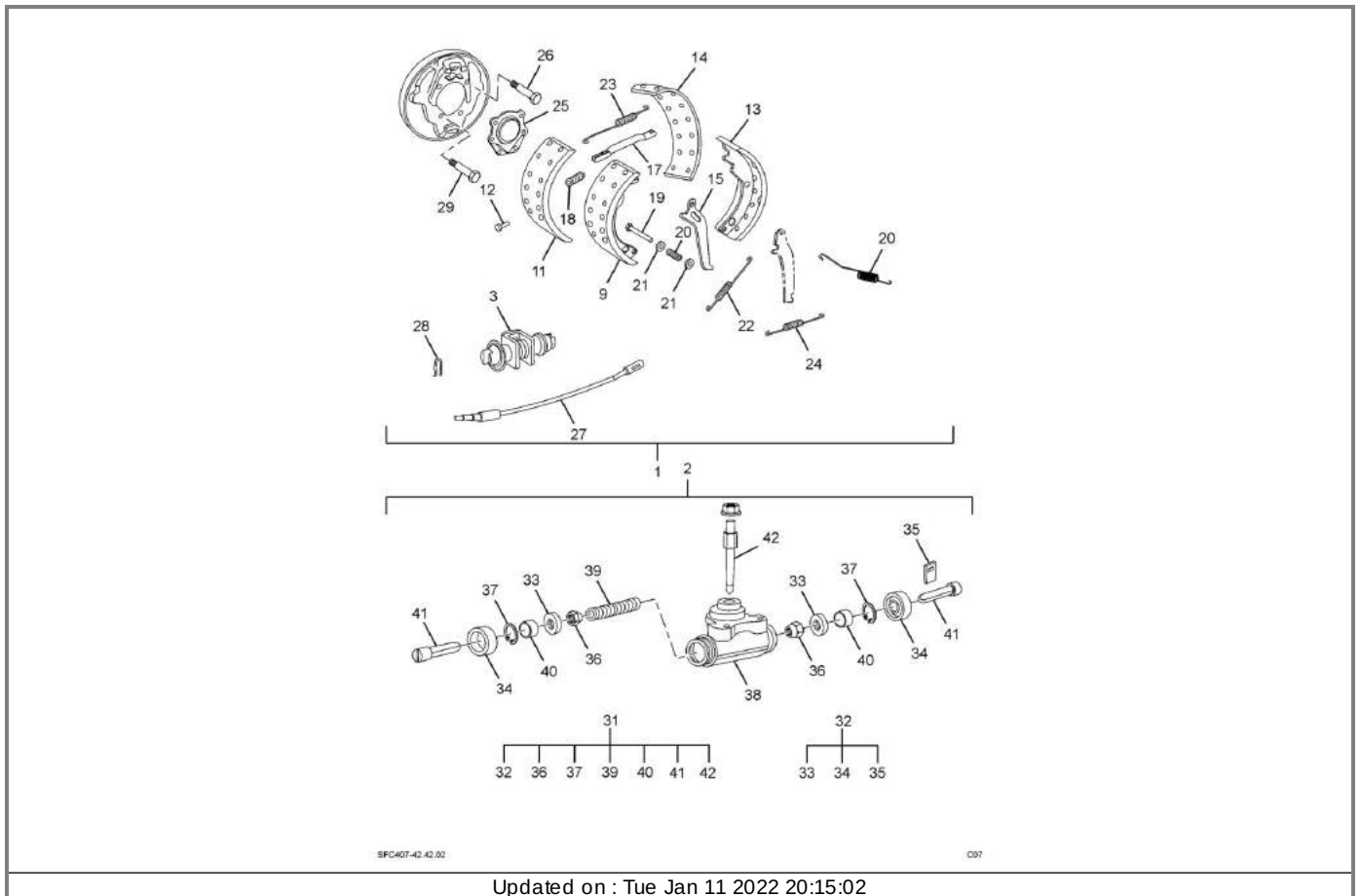


SFC407-42.42.02

097

Updated on : Tue Jan 11 2022 20:15:02

VC No : 26525527000R Group : (35) REAR AXLE Table : (2665040235R.03-REAR WHEEL BRAKES)				
Fig.	Part No	Part Description	Qty	Remarks
26	257342308004	HEX. SCREW	4	
27	265242700120	ASSY PARKING BRAKE CABLE REAR	2	
28	265142704301	CLIP	2	
29	264142308001	HEX. SCREW	4	
32	265142300167	REPAIR KIT (MINOR) WHEEL CYLINDER (17.85 MM DIA.)	1	
	-----	CONSISTING OF :		
33	-----	LIP SEAL	2	
34	-----	RUBBER BOOT	2	
35	-----	GREASE TUBE	1	
31	265142300171	REPAIR KIT (MAJOR) WHEEL CYLINDER (17.78 MM DIA.)	1	
	-----	CONSISTING OF :		
33	-----	LIP SEAL	2	
34	-----	RUBBER BOOT	2	
35	-----	GREASE TUBE	1	
36	-----	CAP	1	
37	-----	CIRCLIP	2	
38	-----	BODY	1	
39	-----	SPRING	1	
40	-----	PISTON	2	
41	-----	PUSH ROD	2	
42	-----	BLEEDER SCREW	1	
	265142100152	BRAKE ADJUSTER MECHANICAL BS2/3/4	1	
	265142310133	ASSY ANCHOR PLATE REAR-LH	1	
	265142310134	ASSY ANCHOR PLATE REAR-RH	1	



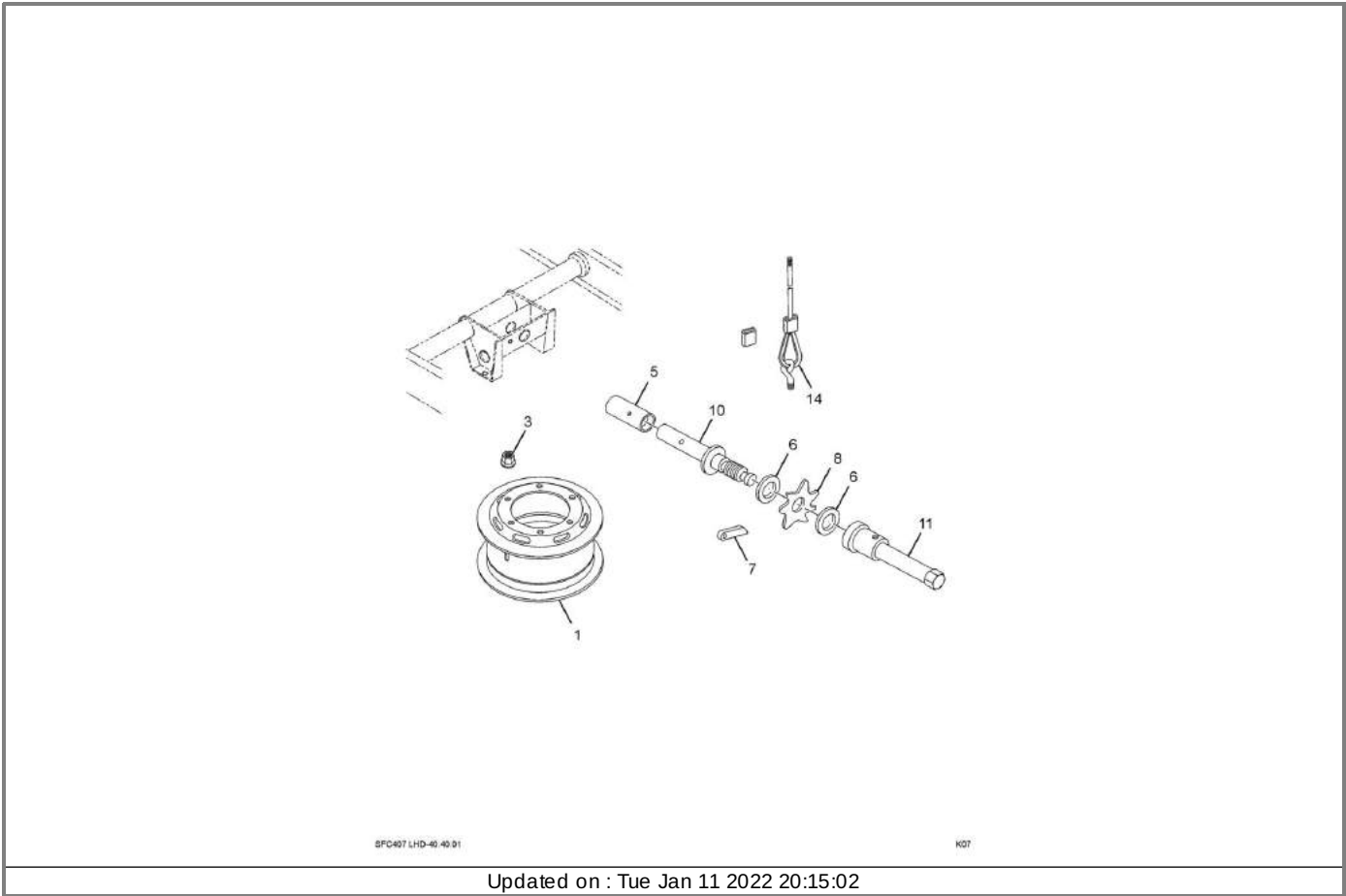
SFC407-42.42.02

097

Updated on : Tue Jan 11 2022 20:15:02

VC No : 26525527000R Group : (40) WHEELS Table : (2652542740R.01-WHEEL AND SPARE WHEEL CARRIER)

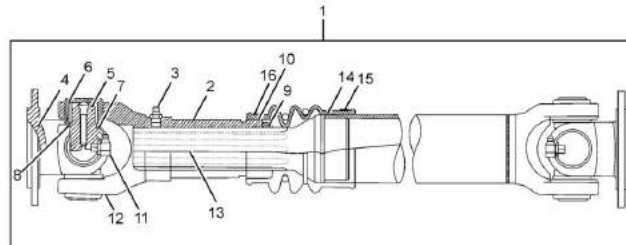
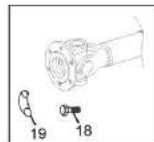
Fig.	Part No	Part Description	Qty	Remarks
1	265240100117	ASSY WHEEL RIM 5.5FX16 (6 STUD HOLE)	5	
3	264040100101	ASSY. WHEEL NUT BS1/2/3/4	24	
5	265140308401	SLEEVE	1	
6	-	FRICTION PAD	2	NOT SERVICED
7	257640307109	RATCHET ARM	1	
8	257640307108	RATCHET WHEEL	1	
10	265140300115	ASSY SHAFT	1	
11	270540300101	ASSY HANDLE	1	
14	265140300146	ASSY WIRE ROPE	1	
	264033408206	HUB COVER (FRONT AXLE)	2	



Updated on : Tue Jan 11 2022 20:15:02

VC No : 26525527000R Group : (41) PROPELLER SHAFT Table : (2651872741R.01-PROPELLER SHAFT)

Fig.	Part No	Part Description	Qty	Remarks
1	265141120120	ASSY PROPELLER SHAFT	1	
2	257341100104	ASSY U J LONG FORK	1	
3	17172001009	GREASE NIPPLE AM10X1 IS 4009	1	
4	3124111111	UNIVERSAL JOINT FLANGE	2	
5	3224110331	UNIVERSAL JOINT CROSS	2	
6	-----	ASSY BEARING CUP	8	NOT SERVICED LOOSE
7	-----	CLOSING RING	8	NOT SERVICED LOOSE
8	-	SPRING RING	8	Not Serviced
8	-	SPRING RING	8	Not Serviced
8	-	SPRING RING	8	Not Serviced
8	-	SPRING RING	8	Not Serviced
8	206041118706	SPRING RING	8	
8	206041118707	SPRING RING	8	
9	3124131180	PACKING RING	1	
10	3124131258	GREASE RETAINER	1	
11	257441109902	GREASE NIPPLE	1	
12	3124111205	UNIVERSAL JOINT FORK FOR CARDAN SHAFT	1	
13	3124111702	END PIECE (PROP.SHAFT REAR)	1	
14	3284110097	ASSY PROTECTIVE CAP	1	
15	14280500802	HOSE CLAMP 80 IS4762-SS8451-8B	1	
16	14280500705	HOSE CLAMP 70 IS4762-SS8451-8B	1	
18	257641113201	BOLT BS1/2/3/4	12	
19	250526406101	LOCKING PLATE	6	
	12051901001	HEX NUT M10X1	12	
	885441011210	KIT-UNIVERSAL JOINT W/CIRCLIP BS1/2/3/4	1	DETAILS BELOW



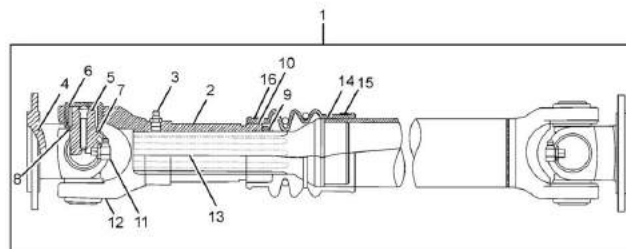
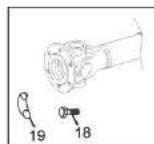
SFC407 RHD-2651472741R.01

009

Updated on : Tue Jan 11 2022 20:15:02

VC No : 26525527000R Group : (41) PROPELLER SHAFT Table : (2651872741R.01-PROPELLER SHAFT)

Fig.	Part No	Part Description	Qty	Remarks
4	-----	U.J. FLANGE	1	
14	-----	PROTECTIVE CAP	1	
8	-----	RING	1	
15	-----	HOSE CLAMP 80	1	
16	-----	HOSE CLAMP 70	1	
18	-----	BOLT	6	
19	-----	LOCKING PLATE	3	
	-----	HEX NUT M 10X1	6	
	-----	REPAIR KIT		
	885441011210	KIT-UNIVERSAL JOINT W/CIRCLIP BS1/2/3/4	1	
	-----	CONSISTING OF :		
5	-----	CROSS	1	
6	-----	ASSY BEARING CUP	1	NOT SERVICED LOOSE
7	-----	CLOSING RING	1	NOT SERVICED LOOSE
11	-----	GREASE NIPPLE	1	
	-----	HEX THIN NUT M 8X1	1	



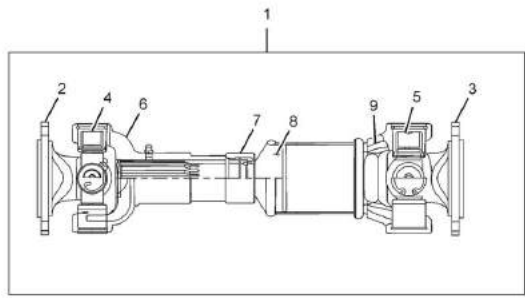
SFC407 RHD-2651872741R.01

G09

Updated on : Tue Jan 11 2022 20:15:02

VC No : 26525527000R Group : (41) PROPELLER SHAFT Table : (2651872741R.02-PROPELLER SHAFT)

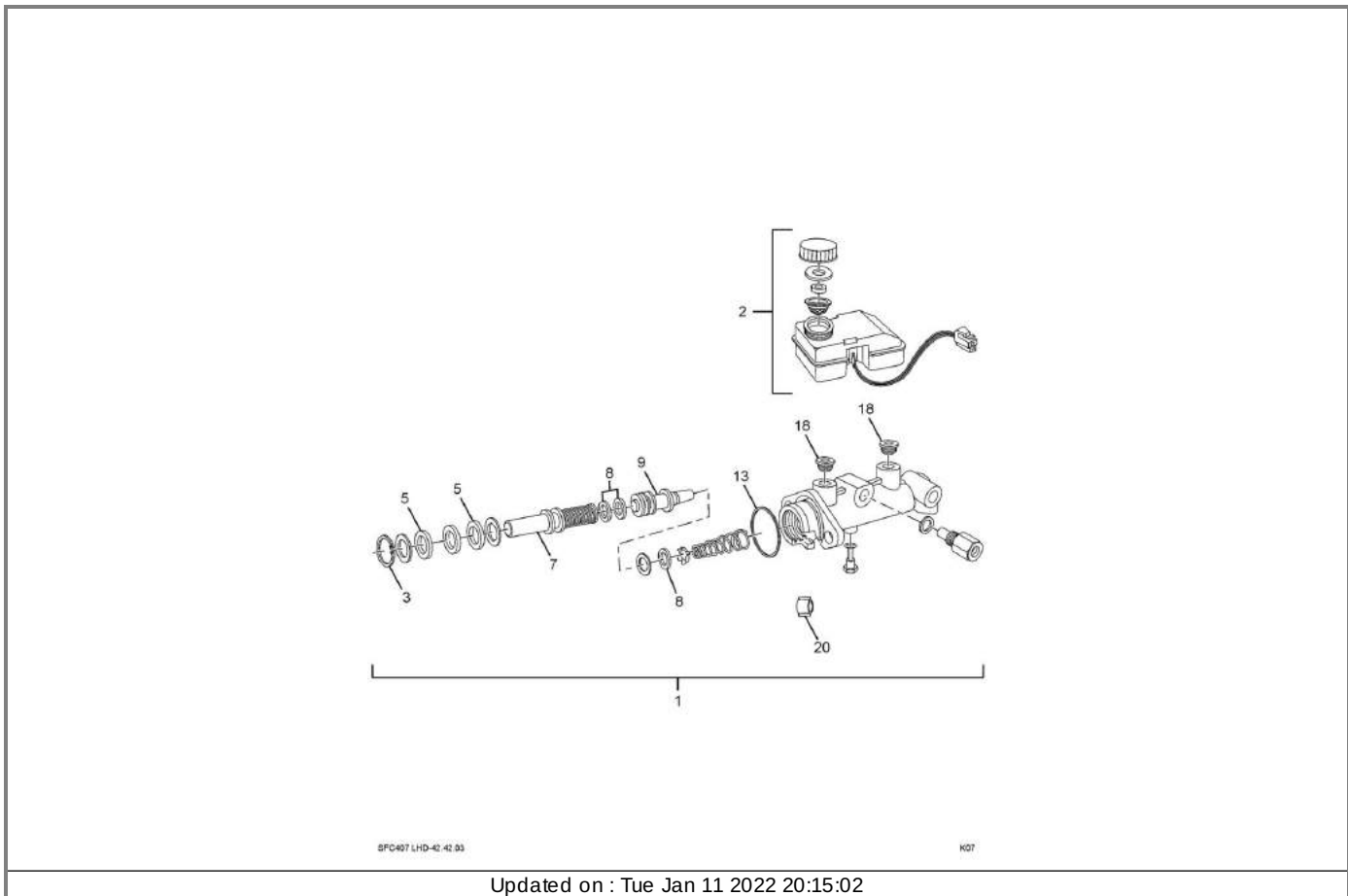
Fig.	Part No	Part Description	Qty	Remarks
1	265141120120	ASSY PROPELLER SHAFT	1	
2	265141125101	1410 FLANGE YOKE	1	
3	265141125103	1480 FLANGE YOKE	1	
4	265141005123	1410 U.J.KIT	1	
5	265141005127	1480 U.J.KIT	1	
6	265141005128	SLEEVE YOKE SUB ASSY	1	
7	265141008233	1330 DUST CAP	1	
8	265141105129	STUB BALL YOKE	1	
9	265141120121	TUBULAR SHAFT ASSY	1	



SFC407-2651872741R.02 G10

Updated on : Tue Jan 11 2022 20:15:02

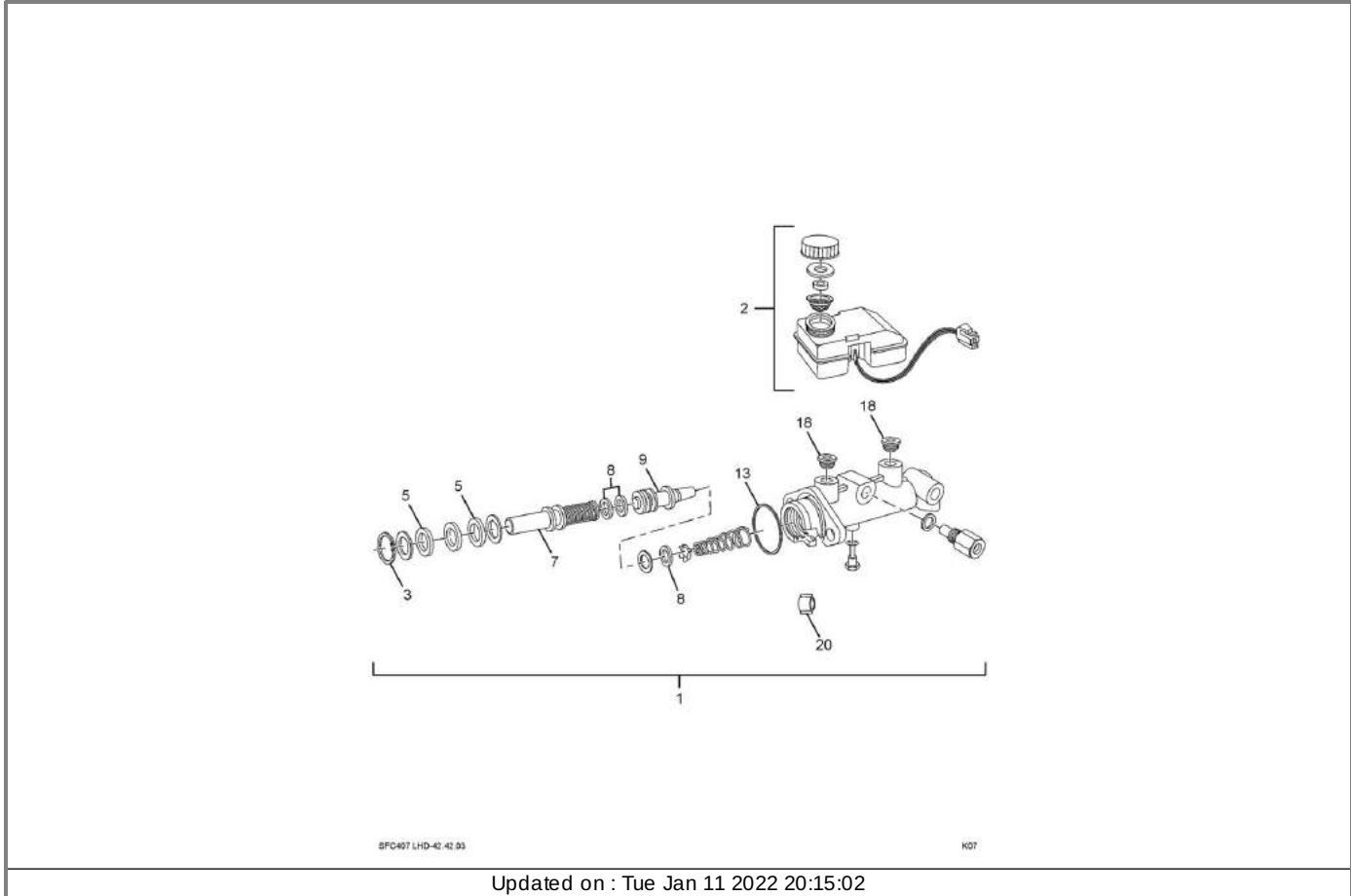
VC No : 26525527000R Group : (42) BRAKES Table : (2652542743R.01-TANDEM MASTER CYLINDER (SFC 407))				
Fig.	Part No	Part Description	Qty	Remarks
1	269843100101	TANDEM MASTER CYL.DIA.23.81 BS1/2/3/4	1	
2	265443100118	BRAKE FLUID RESERVOIR	1	
	-----	REPAIR KITS		
	265442100178	MAJOR KIT-TANDEM MASTER CYLINDER(KBX)	1	
3	-----	CIRCLIP 35X1.5	1	
8	-----	PISTON STOP PLATE	1	
7	-----	PRIMARY PISTON ASSY	1	
20	-----	PISTON GUIDE	1	
18	-----	RESERVOIR GROMMET	2	
5	-----	REAR SEAL	1	
13	-----	O RING	1	
9	-----	SECONDARY PISTON ASSY	1	
	265443100132	MAJOR KIT-TANDEM MASTER CYL(BIL)	1	
	-----	PLUNGER ASSY -PRIMARY	1	
	-----	PLUNGER ASSY -SECONDARY	1	
	-----	SEAL-GLAND	1	
	-----	STOP WASHER	1	
	-----	CIRCLIP	1	
	-----	SPACER	1	
	-----	STOP PIN	1	
	-----	WASHER(STOP PIN)	1	
	-----	SEAL - FLUID TANK	2	
	-----	SEALING RING	1	
	-----	GREASE SACHET	1	
	265443100133	MINOR KIT-TANDEM MASTER CYL(BIL)	1	



Updated on : Tue Jan 11 2022 20:15:02

VC No : 26525527000R Group : (42) BRAKES Table : (2652542743R.01-TANDEM MASTER CYLINDER (SFC 407))

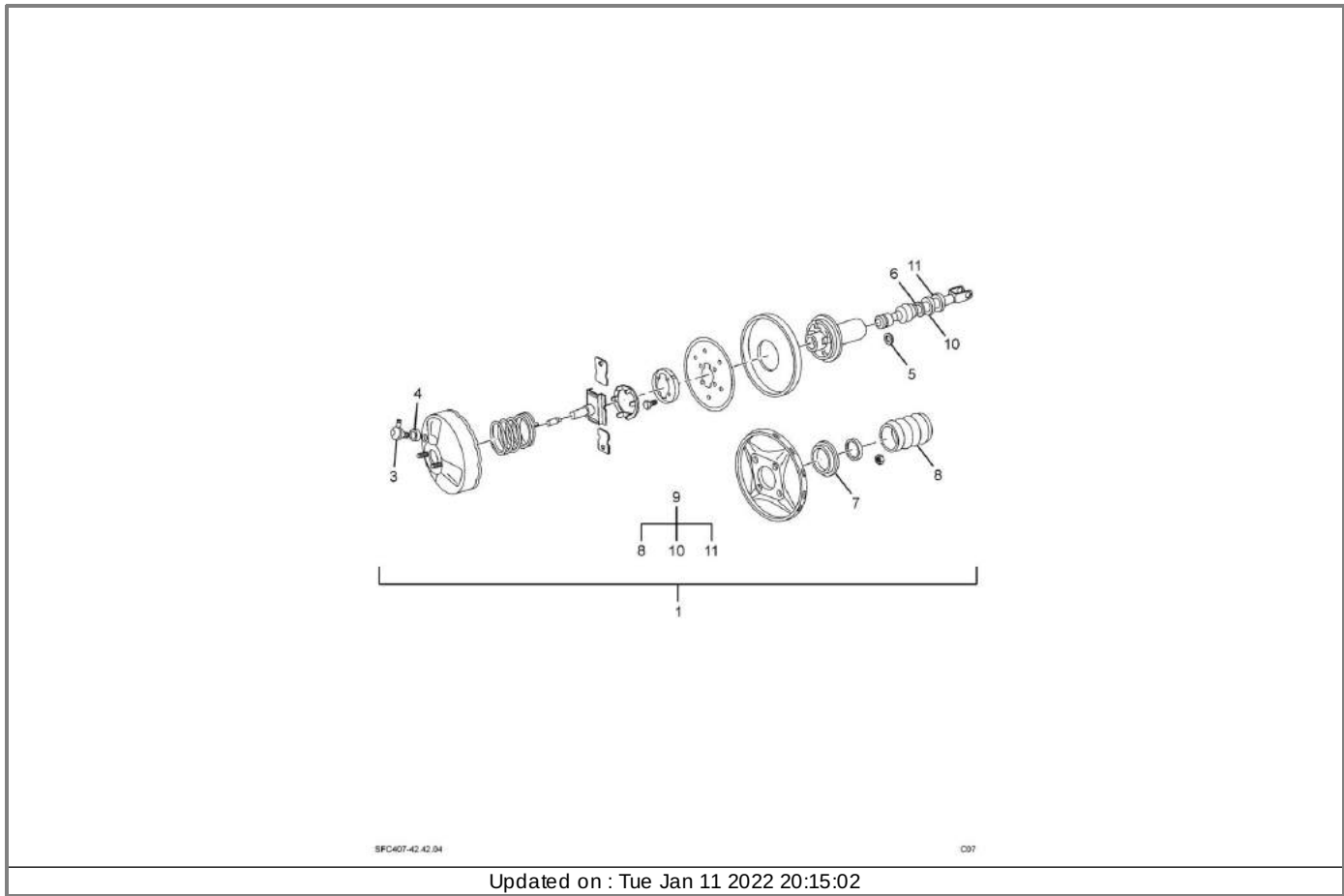
Fig.	Part No	Part Description	Qty	Remarks
	-----	SEAL-GLAND	1	
	-----	SEAL (BACK-SEC)	1	
	-----	SEAL RECUPERATING	2	
	-----	CIRCLIP	1	
	-----	SEAL - FLUID TANK	2	
	-----	WASHER(STOP PIN)	1	
	-----	SEALING RING	1	
	-----	GREASE SACHET	1	



SFC407 LHD-42 42 03 K07

Updated on : Tue Jan 11 2022 20:15:02

VC No : 26525527000R Group : (42) BRAKES Table : (2652542743R.02-VACUUM BOOSTER)				
Fig.	Part No	Part Description	Qty	Remarks
1	265843500102	ASSY. VACUUM BOOSTER 10 BS1/2/3/4	1	
	-----	REPAIR KITS		
	269943500106	REPAIR KIT (MAJOR) CONSISTING OF :	1	
3	-----	NON - RETURN VALVE ASSY	1	
4	-----	RUBBER GROMMET	1	
5	-----	SEALING RING	1	
6	-----	OPERATING ROD ASSY	1	
7	-----	LIP SEAL	1	
8	-----	GAITER	1	
9	265143500123	REPAIR KIT (MINOR) CONSISTING OF :	1	
10	-----	FILTER	1	
11	-----	FILTER	1	
8	-----	GAITER	1	



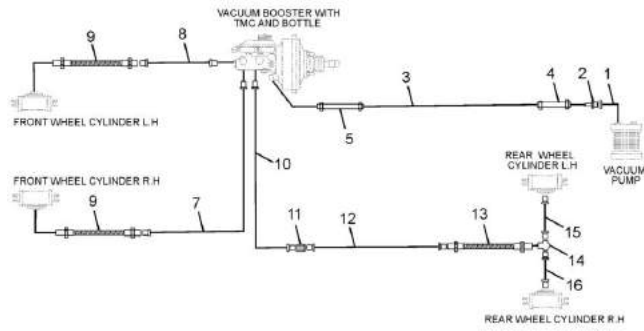
SFC407-42 42 04

097

Updated on : Tue Jan 11 2022 20:15:02

VC No : 26525527000R Group : (42) BRAKES Table : (2652542743R.03-BRAKE PIPE LINES RHD)

Fig.	Part No	Part Description	Qty	Remarks
1	265143510109	TUBE ASSY	1	
2	16220510348	SEALING WASHER 22X27 IS3175 AL	1	
3	-----	ASSY TUBE	1	
4	257342900161	3/8" HOSE ASSY WITH END FITTINGS(L=480)	1	
5	257342900161	3/8" HOSE ASSY WITH END FITTINGS(L=480)	1	
	14270202102	HOSE CLIP 21 TS 17669 SS8451-8C	4	
7	265142810125	ASSY TUBE	1	
8	265142810126	ASSY TUBE	1	
9	265142800101	ASSY BRAKE HOSE	2	
10	265142810127	ASSY TUBE	1	
11	265142806804	ADAPTER	1	
12	265143800112	ASSY TUBE	1	
13	271942800148	BRAKE HOSE ASSY. REAR	1	
14	265142806801	CONNECTOR 3 WAY	1	
15	265142800144	TUBE ASSY	1	
16	265142800145	TUBE ASSY	1	



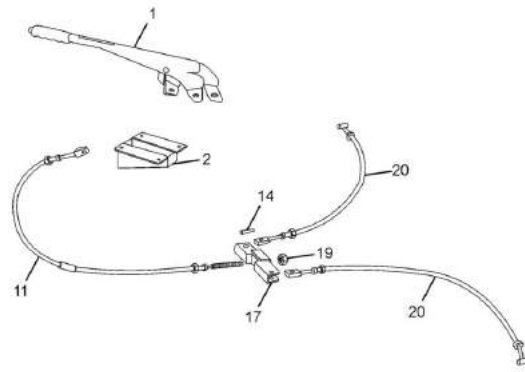
SFC407:2652542743R 03

G99

Updated on : Tue Jan 11 2022 20:15:02

VC No : 26525527000R Group : (42) BRAKES Table : (2652542743R.04-PARKING BRAKE)

Fig.	Part No	Part Description	Qty	Remarks
1	265242700122	ASSY PARKING BRAKE HANDLE	1	
2	265242700128	ASSY CUP(PARKING BRAKE HANDLE)	1	
	265242708701	RETURN SPRING (PARKING BRAKE CABLE)	1	
	270242804301	CLIP (BRAKE HOSE)	4	
11	265242700150	ASSY PARKING CABLE(407 MINI 27WB)	1	
14	13150606165	SPLIT PIN 2X16	1	
17	265242708201	ASSY LINK	1	
19	265142709907	SPHERICAL NUT	1	
20	265242700120	ASSY PARKING BRAKE CABLE REAR	2	

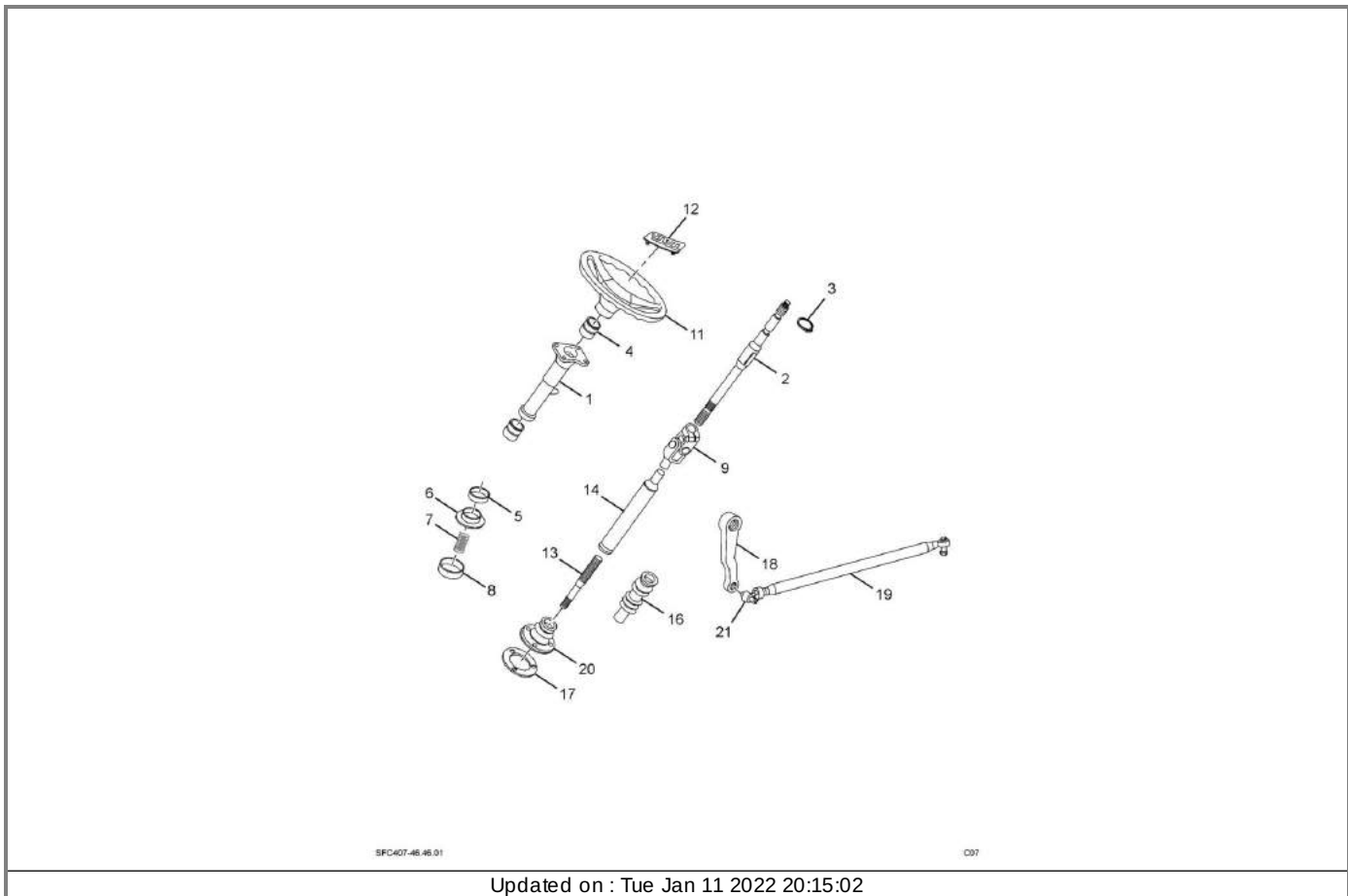


SFC 407-42 42 06-R1

A08

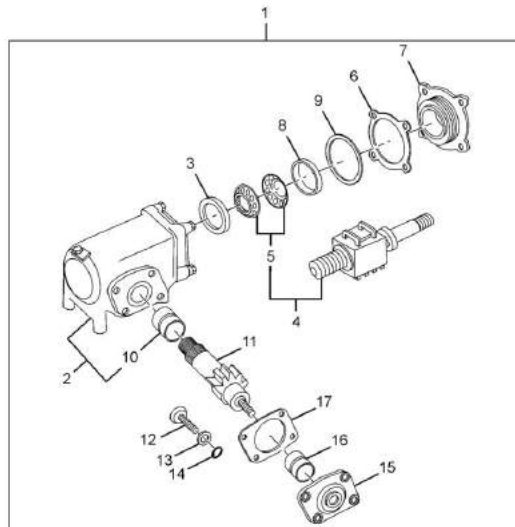
Updated on : Tue Jan 11 2022 20:15:02

VC No : 26525527000R Group : (46) STEERING Table : (2651203146R.01-STEERING LINKAGE)				
Fig.	Part No	Part Description	Qty	Remarks
	265146210111	ASSY COLUMN WITHOUT STEERING WHEEL.	1	
1	265146210109	ASSY STEERING COLUMN	1	
2	264046200134	ASSY STEERING SPINDLE TOP	1	
3	14550602009	CIRCLIP 20X1.2 N	1	
4	264046203102	S.R.D.G. BALL BEARING	2	
5	264146207920	SPACER	1	
6	265446209915	SPRING SEAT	1	
7	265446208711	COMPRESSION SPRING	1	
8	265446208278	SPRING SEAT CUP	1	
9	265146600102	ASSY. UNIVERSAL JOINT BS1/2/3/4	2	
	265146603201	BOLT.	4	
11	265146400108	ASSY STEERING WHEEL WITHOUT TEMBLEM	1	
12	265446406312	T EMBLEM	1	
13	265146210113	ASSY SPINDLE.	1	
14	269846207916	STEERING SPINDLE - BOTTOM	1	
16	265846206306	RUBBER BELLOW (SLEEVE / TOP).	1	
17	265146108201	CLAMPING RING	1	
18	265146306005	PITMAN ARM	1	
19	265146600104	ASSY. DRAG LINK RHD BS2/3/4	1	
20	265146106301	RUBBER BELLOW (ON FLOOR)	1	
21	265146900102	END ASSY,RH	1	
21	265146900103	DRAG LINK END ASSY	1	



VC No : 26525527000R Group : (46) STEERING Table : (2651203146R.02-STEERING GEAR BOX)

Fig.	Part No	Part Description	Qty	Remarks
1	265146200184	ASSY. STEERING GEAR BOX BS2/3/4	1	
2	265146200182	HOUSING SUB ASSY STEER.G.B.-RH	1	
3	265146207706	OIL SEAL (34.5X47X7)	1	
4	265146200186	STRG NUT & WORM ASSY. BS2/3/4	1	
5	265146203109	BALL BEARING (JB1003)	2	
6	265146208302	SHIM 0.10 MM THICK	AR	FOR SELECTION
6	265146208303	SHIM 0.15 MM THICK	AR	FOR SELECTION
6	265146208305	SHIM 0.50 MM THICK	AR	FOR SELECTION
6	265146208306	SHIM 1.00 MM THICK	AR	FOR SELECTION
7	265146204704	COVER FOR WORM	1	
8	265146207707	OIL SEAL (19.6X32X7)	1	
9	17050501507	O-RING 72.70X2.62 TS16220	1	
10	265146203402	BUSH BEARING	1	
11	265146200193	ASSY SECTOR SHAFT	1	
12	265146203201	ADJUSTING SCREW	1	
13	265146208602	SPACER 1.85 MM THICK	1	FOR SELECTION
13	265146208604	SPACER 1.95 MM THICK	1	FOR SELECTION
13	265146208605	SPACER 2.00 MM THICK	1	FOR SELECTION
13	265146208606	SPACER 2.05 MM THICK	1	FOR SELECTION
13	265146208607	SPACER 2.10 MM THICK	1	FOR SELECTION
13	265146208608	SPACER 2.15 MM THICK	1	FOR SELECTION
14	14580602003	INTERNAL CIRCLIP 20X1N IS3075P2 SS8400	1	
15	265146200192	ASSY COVER (SECTOR SHAFT)	1	
16	265146203403	BUSH BEARING	1	
17	265146205302	GASKET	1	

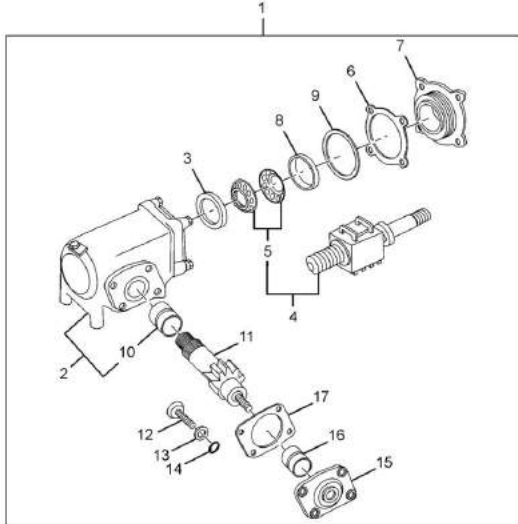


SFC407 RHD-26512031-6R.02

009

Updated on : Tue Jan 11 2022 20:15:02

VC No : 26525527000R Group : (46) STEERING Table : (2651203146R.02-STEERING GEAR BOX)				
Fig.	Part No	Part Description	Qty	Remarks
	282646206304	DUST COVER (MECHANICAL STG. GEARBOX)	1	

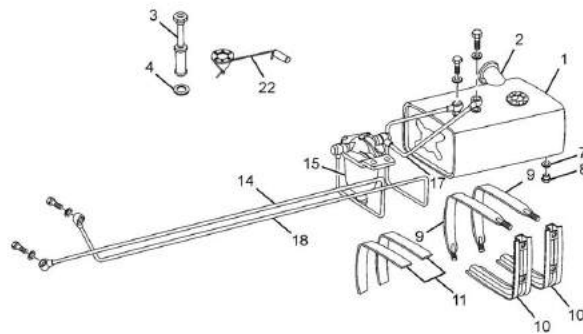


SFC407 RHD-2651203146R.02 009

Updated on : Tue Jan 11 2022 20:15:02

VC No : 26525527000R Group : (47) FUEL SYSTEM Table : (2652542747R.01-FUEL SYSTEM)

Fig.	Part No	Part Description	Qty	Remarks
1	265147000107	ASSY FUEL TANK COMP.WITH STRAP N SUPPORT	1	
2	0424700605J	ASSY FUEL TANK CAP	1	OLD TYPE
3	265147100159	ASSY SUCTION TUBE	1	
4	16220510577	WASHER 38X44	1	
7	16081001808	SEALING PLUG AM 18X1.5	1	
8	16220710282	SEALING WASHER 18X22 IS3175 CU	1	
9	265147500102	ASSY STRAP	2	
10	264047500104	ASSY BRACKET (FUEL TANK MOUNTING)	2	
11	265147507701	RUBBER PACKING	4	
14	265247600114	ASSY SUCTION LINE (W/SEP TO FEED PUMP)	1	
15	264147100113	ASSY WATER SEPERATOR	1	
17	265147600161	ASSY SUCTION LINES (TANK TO WATER SEPERATOR)	1	
18	265247600120	ASSY RETURN LINE (OVERFLOW TO TANK)	1	
22	265154210129	ASSY TANK UNIT	1	
	265147600179	ASSY PIPE UNION BOLT	1	



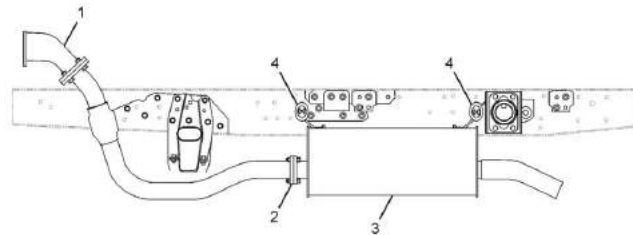
SFC407 RHD-2652542747R.D1

009

Updated on : Tue Jan 11 2022 20:15:02

VC No : 26525527000R Group : (49) EXHAUST SYSTEM Table : (2652542749R.01-EXHAUST SYSTEM)

Fig.	Part No	Part Description	Qty	Remarks
1	265149210196	ASSY FRT.EXHAUST PIPE WITH FLEX.BELLOW	1	
2	3124921080	SEALING FLANGE	2	
	11323996077	HEX SCREW M10X45	6	
	12051598073	HEX NUT M10	6	
	12520698050	SPRING WASHER B10	6	
3	265149100132	ASSY SILENCER WITH TAIL PIPE (FOR 2750 W.B. BS-III)	1	
4	269849207702	RUBBER HANGER BS1/2/3/4	4	

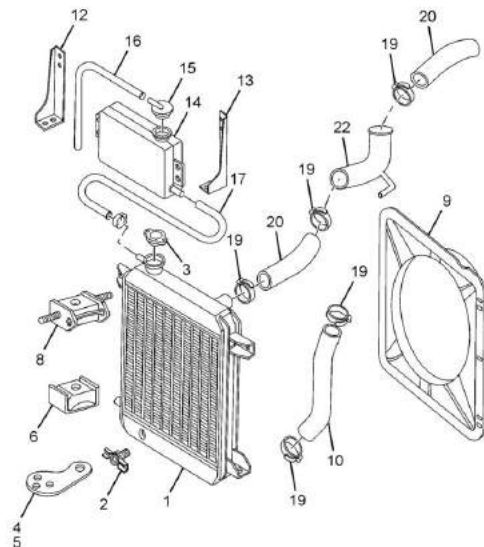


SFC407 RHD-2652542749R.01 006

Updated on : Tue Jan 11 2022 20:15:02

VC No : 26525527000R Group : (50) RADIATOR Table : (2534131050R.01-RADIATOR)

Fig.	Part No	Part Description	Qty	Remarks
1	253450100224	ASSY. RADIATOR-AL-CORE PLASTIC TANK BS2	1	
2	252750100335	ASSY DRAIN COCK	1	
3	278650109909	PRESSURE CAP SURGE TANK BS2	1	
4	253450400101	ASSY BRACKET RH	1	
5	253450400102	ASSY BRACKET LH	1	
6	253450000103	ASSY RADIATOR MOUNTING PAD BOTTOM	2	
8	253450000110	ASSY RADIATOR MOUNTING PAD TOP	2	
9	253450506301	FAN SHROUD	1	
10	253450105809	RUBBER HOSE	4	
12	252750100235	ASSY CLAMP RH	1	
13	252750100254	ASSY CLAMP LH	1	
14	252750100313	ASSY AUX. WATER TANK	1	
15	254750106305	CAP (AUX. WATER TANK)	1	
16	252750106915	PIPE (L 320 MM)	1	
17	252550106918	PIPE (L 400 MM)	1	
	252550104201	CLAMP	1	
19	254750104222	HOSE CLAMP 50 DIA	5	
20	252550005812	RUBBER HOSE (THERMOSTATE TO RADIATOR)	2	
22	253450105812	RUBBER HOSE (RADIATOR TO W.PUMP)	1	



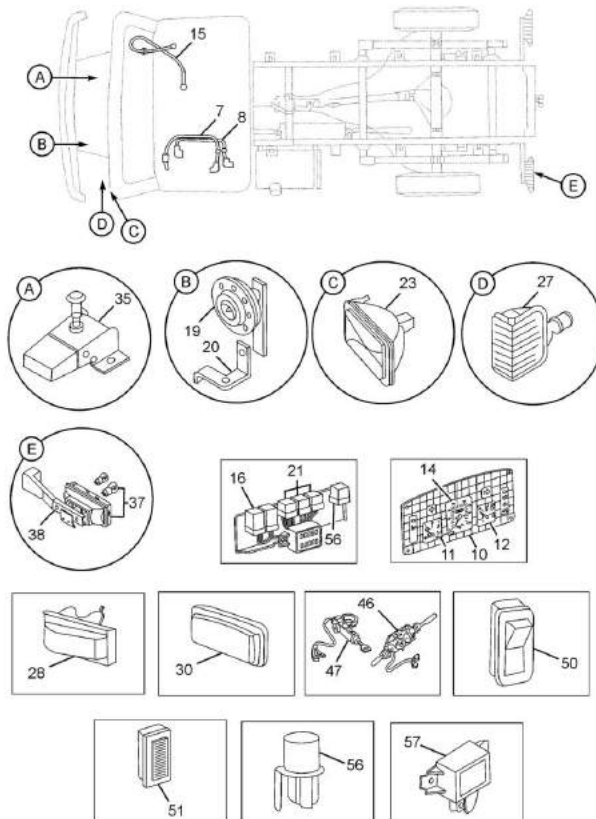
SFC407-50.50.01

097

Updated on : Tue Jan 11 2022 20:15:02

VC No : 26525527000R Group : (54) ELECTRICALS Table : (2722218154R.01-ELECTRICAL EQUIPMENT SFC 407,2750WB, W/O LB)

Fig.	Part No	Part Description	Qty	Remarks
	270554100141	EARTHING CABLE (CAB EARTH)400MM	1	
10	265154220152	INST. CLUSTER 1:0.78 SFC407/27WB-IND	1	
11	264754209902	FUEL GAUGE -INDICATION INSTRUMENTS	1	
12	265154219959	TEMP GAUGE -INDICATION INSTRUMENTS	1	
14	264754209910	SPEEDOMETER (1:0.78)	1	
15	265154209989	SPEEDOCABLE JIS 2000 MM	1	
16	269954209908	WIPER CONTROLLER	1	
19	265154219943	HORN 12V W/O RIS (W/LUCAR TER) -OFFER	1	
20	265154210172	ASSY BRACKET (HORN MTG.)	1	
21	284254209916	MICRO RELAY 12V 20A BS2/4	6	
23	264154420196	LAMP H/L(-1.3)12VHLL 12V RHD-RH	1	
23	264154420197	H/L E CERT 12V W/MOT LH-RHD -1.3PERC	1	
	264154409906	HEAD LAMP LEVELLING MOTOR	2	
27	265154400173	ASSY BLINKER LAMP WITH BULB RH	1	
27	265154400174	BLINKER LAMP LH	1	
28	265454430145	SIDE INDICATOR LAMP LH	1	
28	265454430146	SIDE INDI LAMP RH	1	
30	257654400111	ASSY CAB LAMP	1	
35	265154400101	ASSY ENGINE LAMP	1	
37	257454410172	ASSY. TAIL LAMP LH W/BULB BS1/2/3/4	1	
37	257454410170	ASSY. TAIL LAMP RH W/BULB BS1/2/3/4	1	
38	264154420144	ASSY TAIL LAMP BRACKET LH-RHD	1	FOR VEHICLE W/O LOAD BODY
38	264154420143	ASSY TAIL LAMP BRACKET RH-RHD	1	FOR VEHICLE W/O LOAD BODY
46	265454510119	COMBI SWITCH RHD BS2/3/4	1	
47	264154500106	STEERING LOCK CUM IGNITION SW BS1/2/3/4	1	



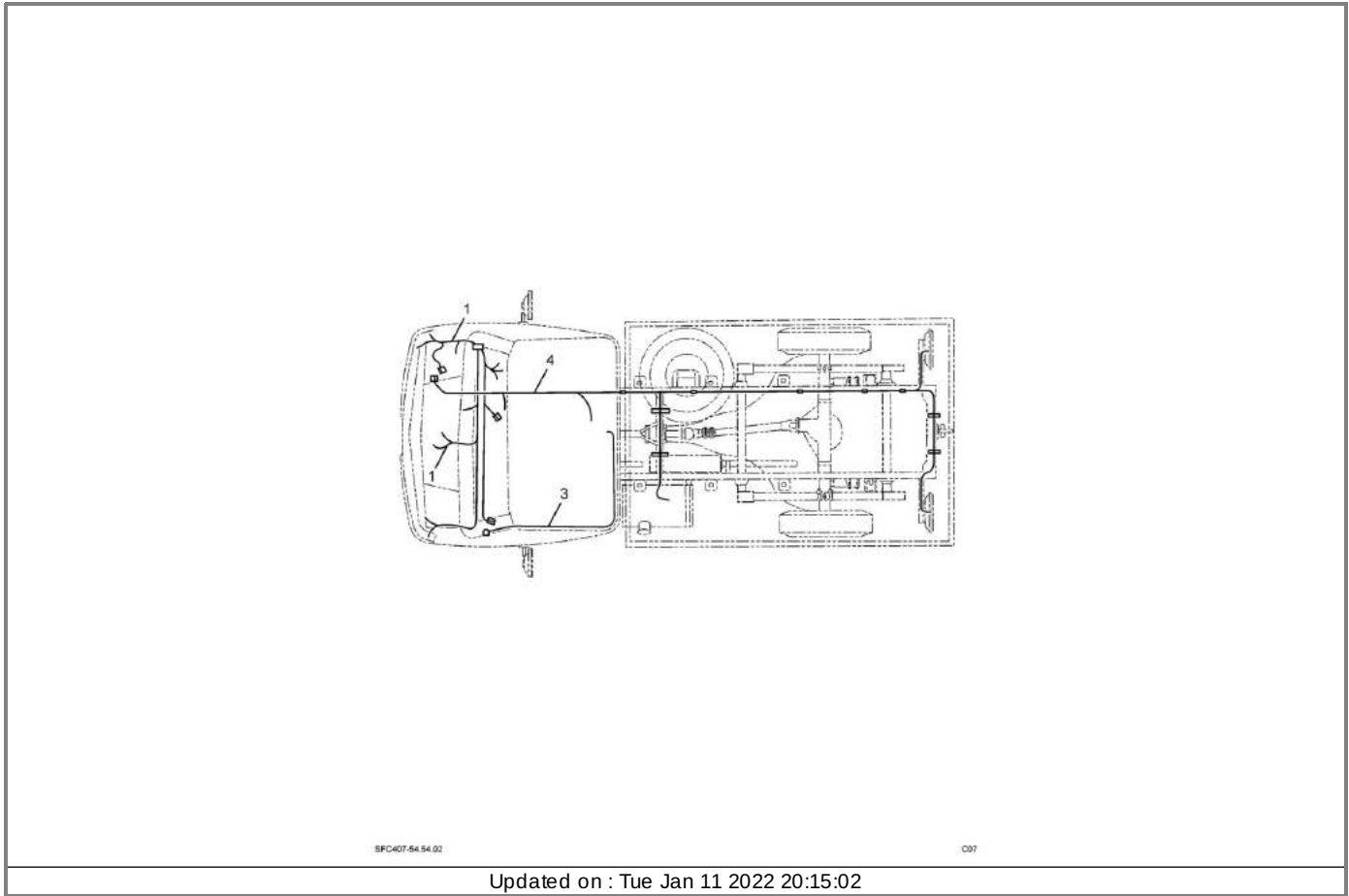
SFC407 RHD-2722218354R.D1

099

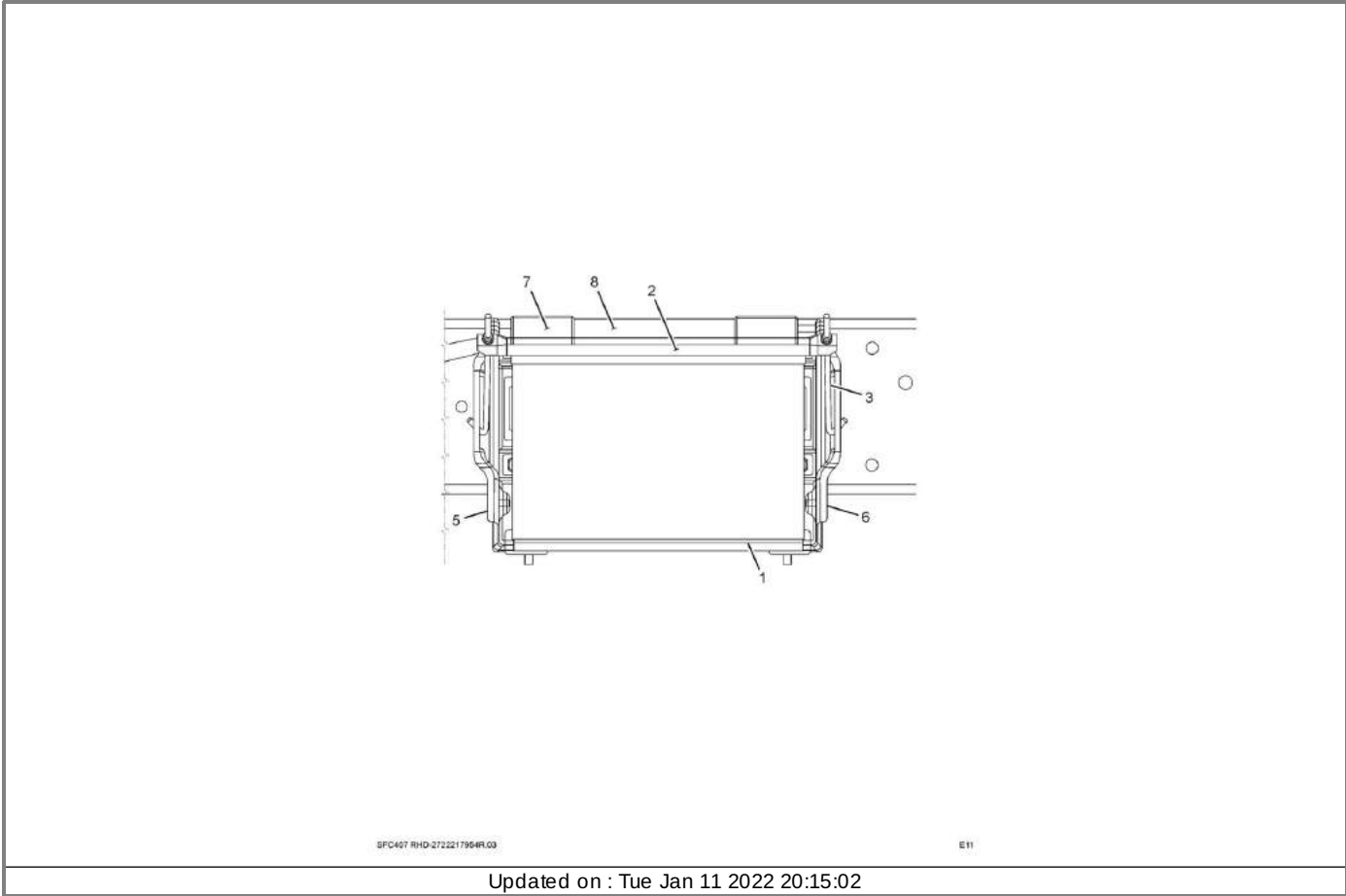
Updated on : Tue Jan 11 2022 20:15:02

VC No : 26525527000R Group : (54) ELECTRICALS Table : (2722218154R.02-WIRING HARNESS)

Fig.	Part No	Part Description	Qty	Remarks
1	265154601627	W/H MAIN SFC407/27WB BSII	1	
3	265154610122	WIRING HARNESS (ROOF)	1	
4	265154601626	W/H TAIL SFC407/27WB BSII	1	
-	265154680113	W/H F.I.P.BHARAT STAGE-II	1	



VC No : 26525527000R Group : (54) ELECTRICALS Table : (2722218154R.03-BATTERY CABLE AND BATTERY FITMENT)				
Fig.	Part No	Part Description	Qty	Remarks
1	270554100196	ASSY BOTTOM PLATE WITH STUD (75AH)	1	
2	270554108255	CLAMP STRAP 75AMP	1	
3	270554108252	BEND STUD	2	
5	270554100199	ASSY SIDE BKT.LH WITH NUT	1	
6	270554100198	ASSY SIDE BKT.RH WITH NUT	1	
7	265154100170	ASSY BATTERY CABLE VE 1950MM 50SQ MM	1	
8	265154100171	ASSY BATT.CABLE -VE 1850MM 50SQ MM	1	



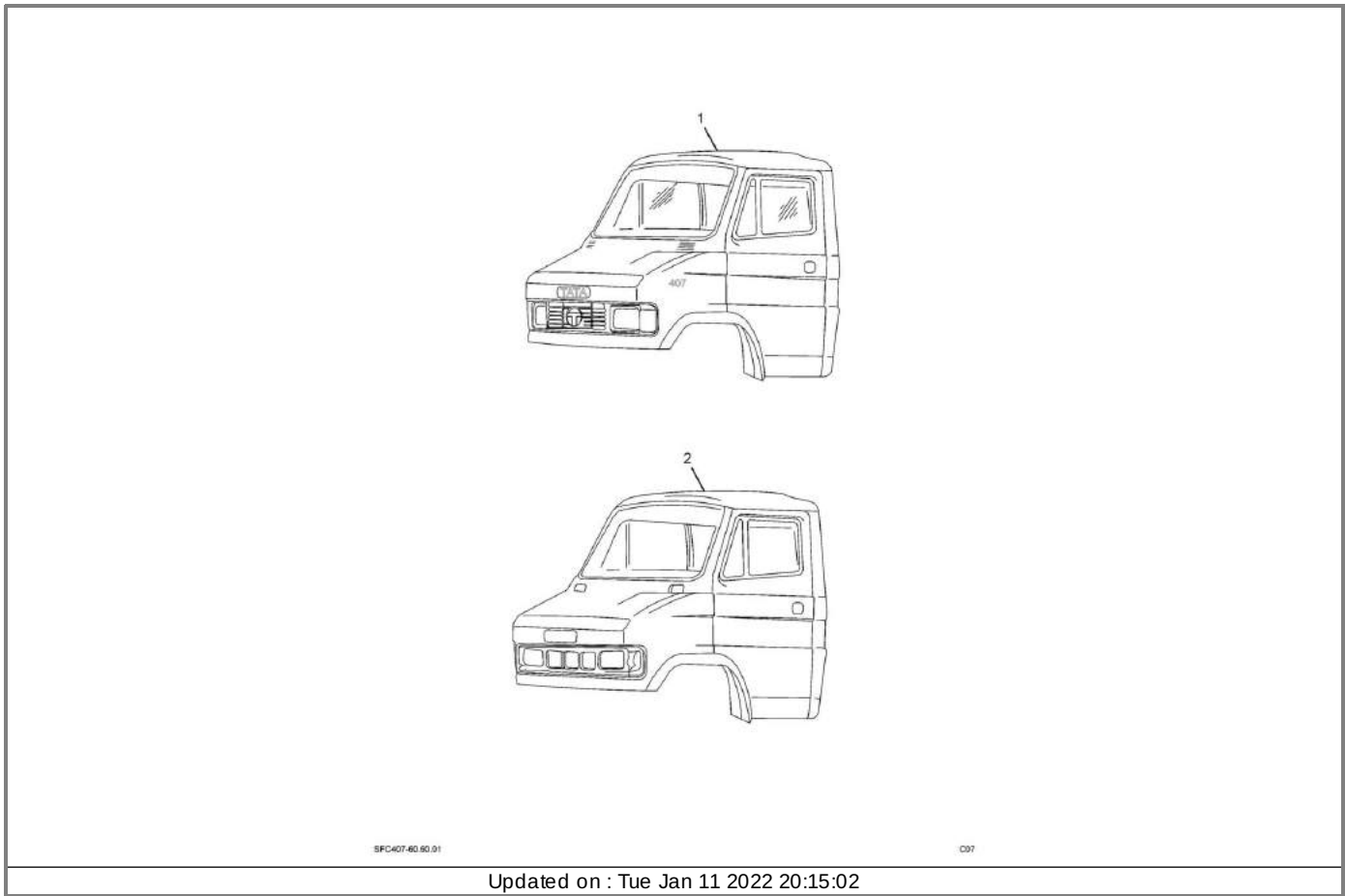
SFC407 RHD 2722217964R.03

E11

Updated on : Tue Jan 11 2022 20:15:02

VC No : 26525527000R Group : (60) BODY Table : (2674220160R.01-ASSY. CAB COMPLETE)

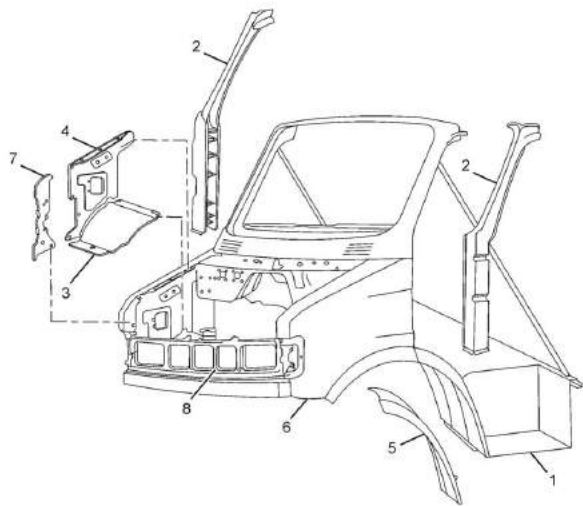
Fig.	Part No	Part Description	Qty	Remarks
1	267460130161	ASSY CAB COMPLETE-RHD	1	
2	267460130162	ASSY BODY SHELL COMPLETE PAINTED-RHD	1	



Updated on : Tue Jan 11 2022 20:15:02

VC No : 26525527000R Group : (60) BODY Table : (2674220160R.02-SHEET METAL PARTS)

Fig.	Part No	Part Description	Qty	Remarks
1	265161600102	ASSY STEP WELL LH	1	
1	265161600103	ASSY STEP WELL RH	1	
2	265162100118	ASSY DOOR POST FRONT.LH.	1	
2	265162100119	ASSY DOOR POST FRONT.RH.	1	
3	267460600119	ASSY MUDGUARD COMP. LH	1	
3	267460600120	ASSY MUDGUARD COMP. RH	1	
4	267460600115	ASSY.PANEL INNER BONNET REAR LH-RHD	1	
4	267460600116	ASSY.PANEL INNER BONNET REAR RH-RHD	1	
5	265160108206	FENDER LH	1	
5	265160108207	FENDER RH	1	
6	265188100108	ASSY. SIDE BONNET L.H. BS2/3/4	1	
6	265188100109	ASSY. BONNET SIDE RH BS2/3/4	1	
7	265188600101	ASSY PANEL INNER BONNET FRONT LH	1	
7	265188600102	ASSY PANEL INNER BONNET FRONT RH	1	
8	265160130119	ASSY PANEL FRONT	1	

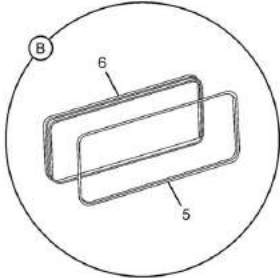
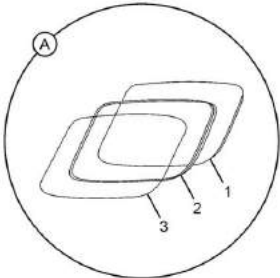
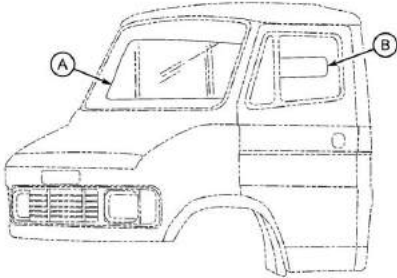


SFC407-60-60-02 097

Updated on : Tue Jan 11 2022 20:15:02

VC No : 26525527000R Group : (60) BODY Table : (2674010167R.01-WIND SHIELD GLASS)

Fig.	Part No	Part Description	Qty	Remarks
1	265167102306	WINDSHIELD GLASS (5.76THK) BS2/3/4	1	
2	265167106303	RUBBER MOULD (FOR 5.7 MM WIND SHIELD GLASS)	1	
3	265167102504	KEY PROFILE (WIND SHIELD)	1	
5	265167100103	ASSY REAR WINDOW COMPLETE KEYLESS PROF	1	
6	265167106304	RUBBER MOULD (REAR WINDOW)	1	

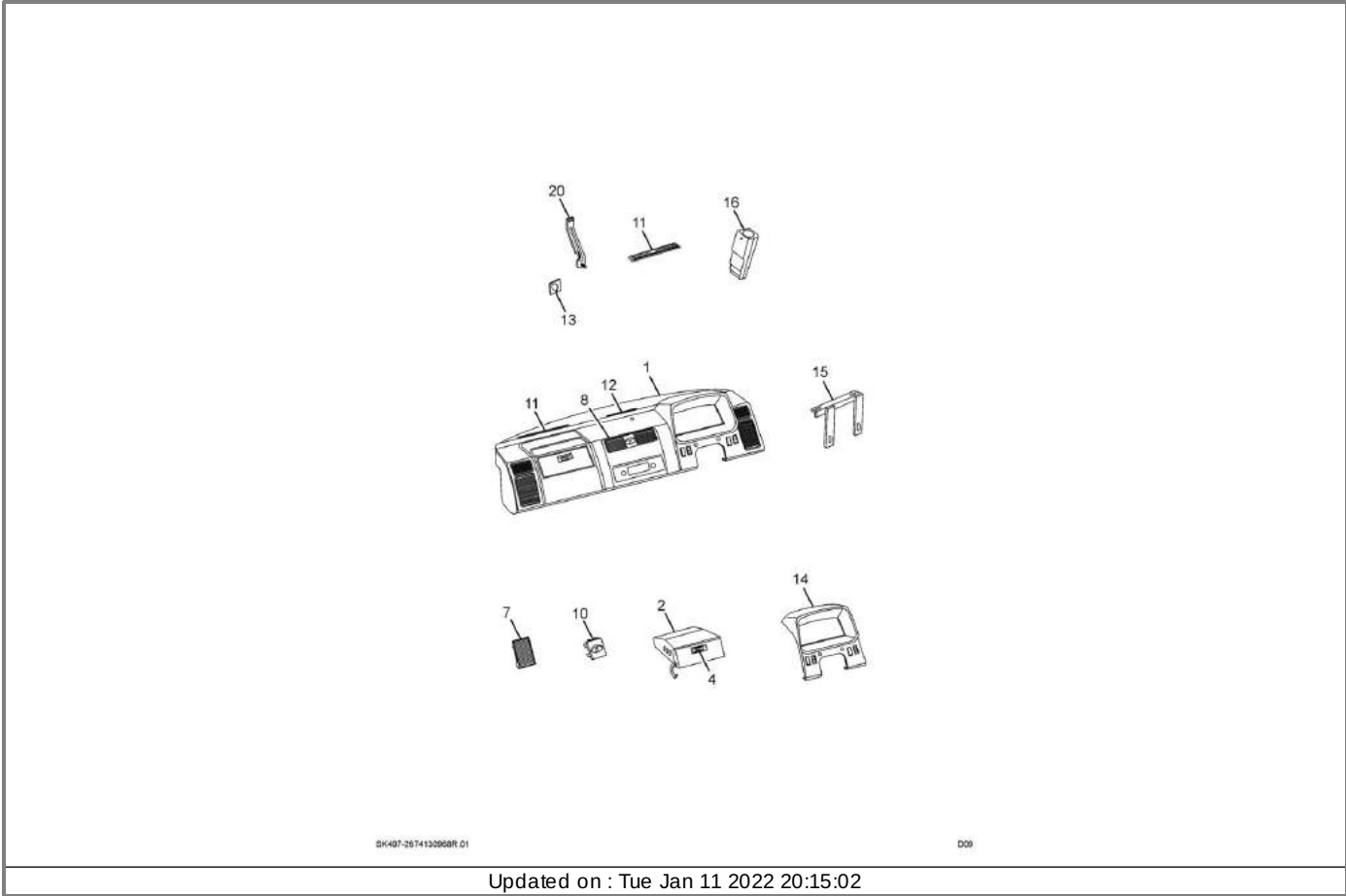


SFC407-60-67-01

097

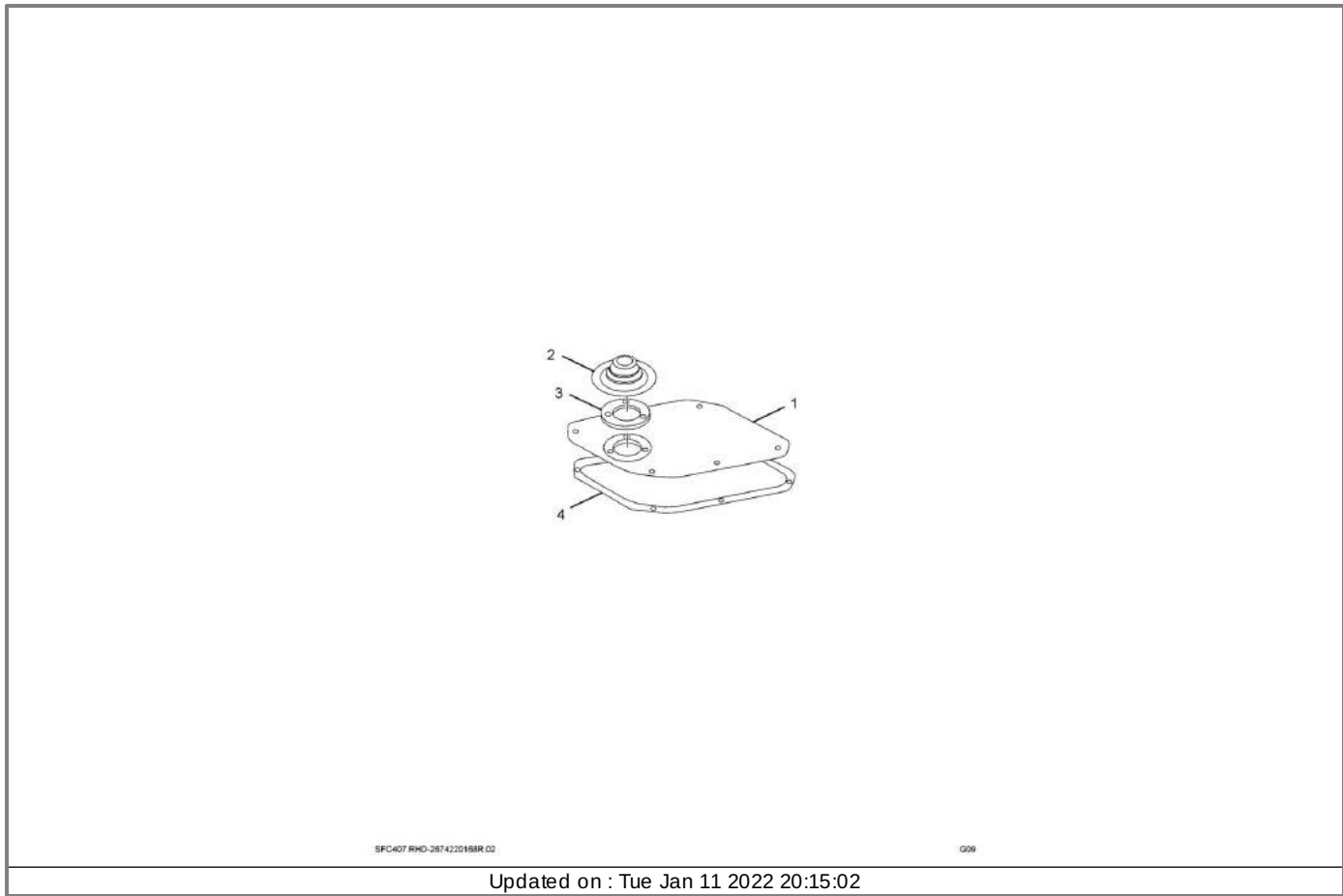
Updated on : Tue Jan 11 2022 20:15:02

VC No : 26525527000R Group : (60) BODY Table : (2674220168R.01-DASH BOARD (RHD))				
Fig.	Part No	Part Description	Qty	Remarks
1	265168900147	ASSY DASH BOARD COMPLETE RHD	1	
	265168906343	DASH BOARD(RHD) (W/O FITMENTS)	1	
2	265168900143	ASSY GLOVE BOX COMPLETE	1	
4	-	ASSY GLOVE BOX LOCK	NON SE	
7	264168906367	SPEAKER GRILL(GREY PIGMENTED)	2	
8	264168906315	COVER CENTRE	1	
10	265168916334	TEMBLEM COVER (DASH BOARD)	1	
11	265168906389	GARNISH (FOR SIDE DEFROST)	2	
12	265168906388	GARNISH (FOR MIDDLE DEFROST)	1	
13	265468906341	RUBBER SPACER	1	
14	265168906344	INSTRUMENT SHROUD	1	
15	265162100148	ASSY SUPPORT (INSTRUMENT SHROUD)	1	
16	265168910114	SET NECELLE FRONT AND REAR	1	
20	265168900145	ASSY BRACKET TOP SIDE (DASH BOARD MOUNTING)	2	



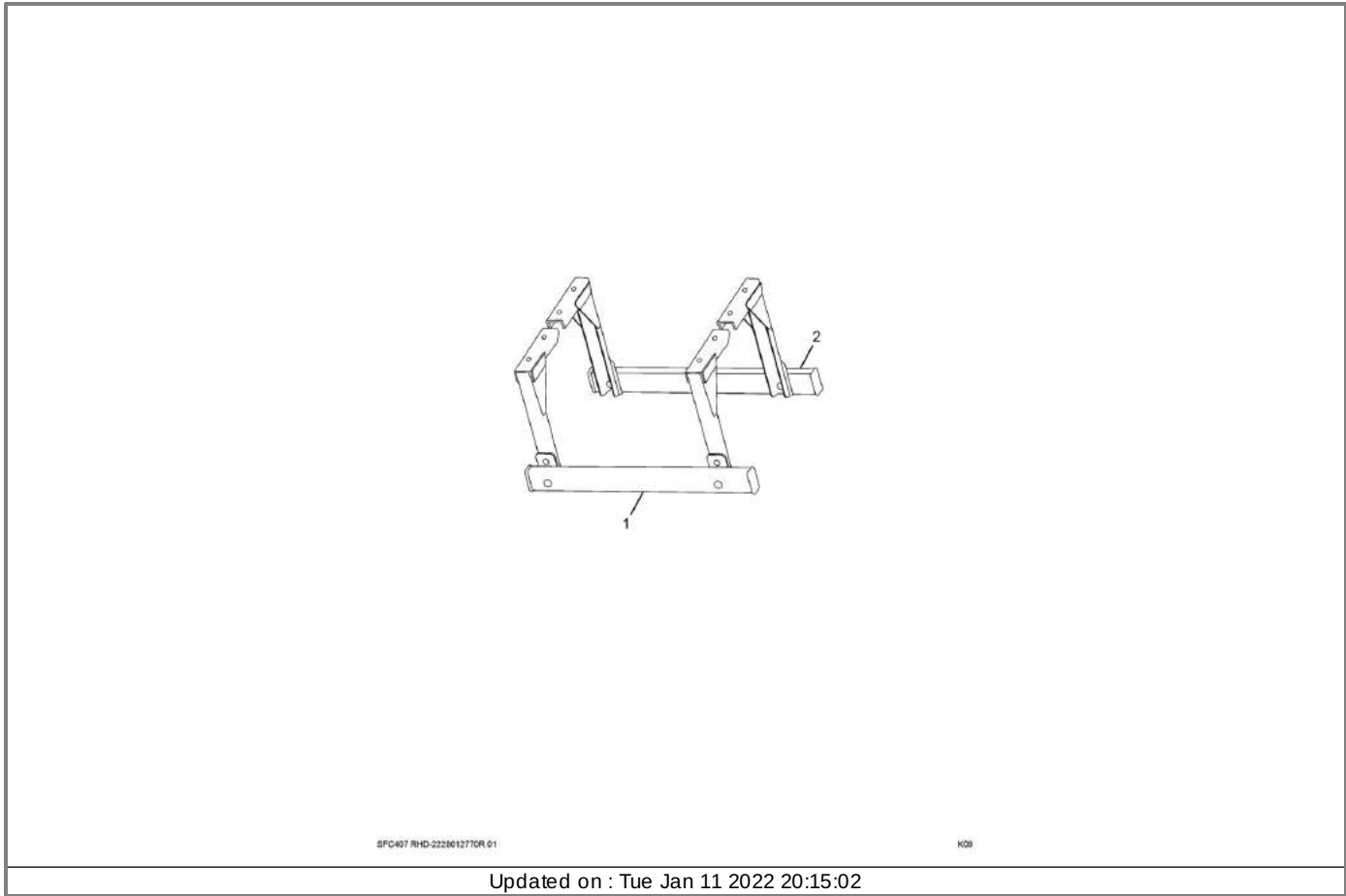
Updated on : Tue Jan 11 2022 20:15:02

VC No : 26525527000R Group : (60) BODY Table : (2674220168R.02-INSIDE LINING)				
Fig.	Part No	Part Description	Qty	Remarks
1	265168300101	ASSY COVER	1	
2	265168307703	RUBBER BELLOW	1	
3	265168308203	COVER PLATE	1	
4	265168307701	SEALING RUBBER	1	
	265169506335	MOULDED ROOF LINING (SFC-LCV CAB)	1	



VC No : 26525527000R Group : (60) BODY Table : (2228012770R.01-SUPD FOR SFC 407,2750WB W/O LOAD BODY)

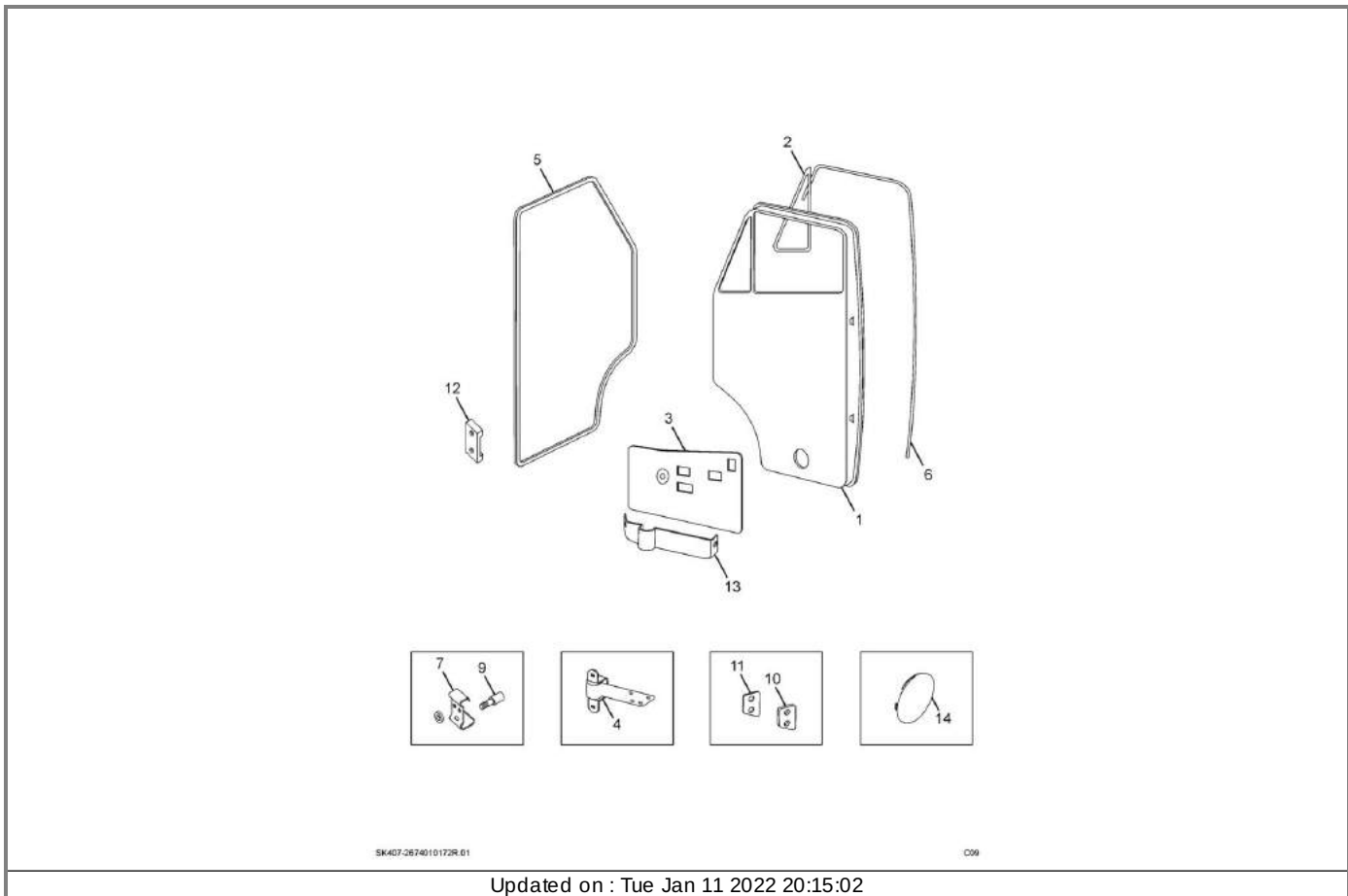
Fig.	Part No	Part Description	Qty	Remarks
1	222870100195	ASSY SUPD LH SFC 407,2750WB		
2	222870100196	ASSY SUPD RH SFC 407,2750WB		



Updated on : Tue Jan 11 2022 20:15:02

VC No : 26525527000R Group : (60) BODY Table : (2674220172R.01-DOOR)

Fig.	Part No	Part Description	Qty	Remarks
1	265172200141	ASSY DOOR SHELL LH	1	
1	265172200142	ASSY DOOR SHELL RH	1	
2	265172502571	BEADING TURNING WINDOW	2	
3	265172700121	ASSY PADDING DOOR LH RHD	1	
3	265172700120	ASSY PADDING DOOR RH RHD	1	
4	265172300102	ASSY HINGE LH (DOOR)	2	
4	265172300103	ASSY HINGE RH (DOOR)	2	
5	265172310117	ASSY DOOR SEALING INNER-LH	1	
5	265172310118	ASSY DOOR SEALING INNER-RH	1	
6	265172307702	DOOR SEALING LH (OUTER)	1	
6	265172307703	DOOR SEALING RH (OUTER)	1	
7	257672318204	STRIKER LH	1	
7	257672318205	STRIKER RH	1	
9	257672316711	MOUNTING PIN (STRIKER)	4	
10	265172306307	DOVETAIL (DOOR SIDE)	4	
11	265172308203	PACKING (DOVE TAIL)	4	
12	265172306327	DOVE TAIL (POST SIDE)	4	
13	265472706315	MAGZINE POCKET LH	1	
13	265472706316	MAGZINE POCKET RH	1	
14	265172706308	CAP(PANEL INNER DOOR)	2	
	265172306328	REFLEX REFLECTOR	2	



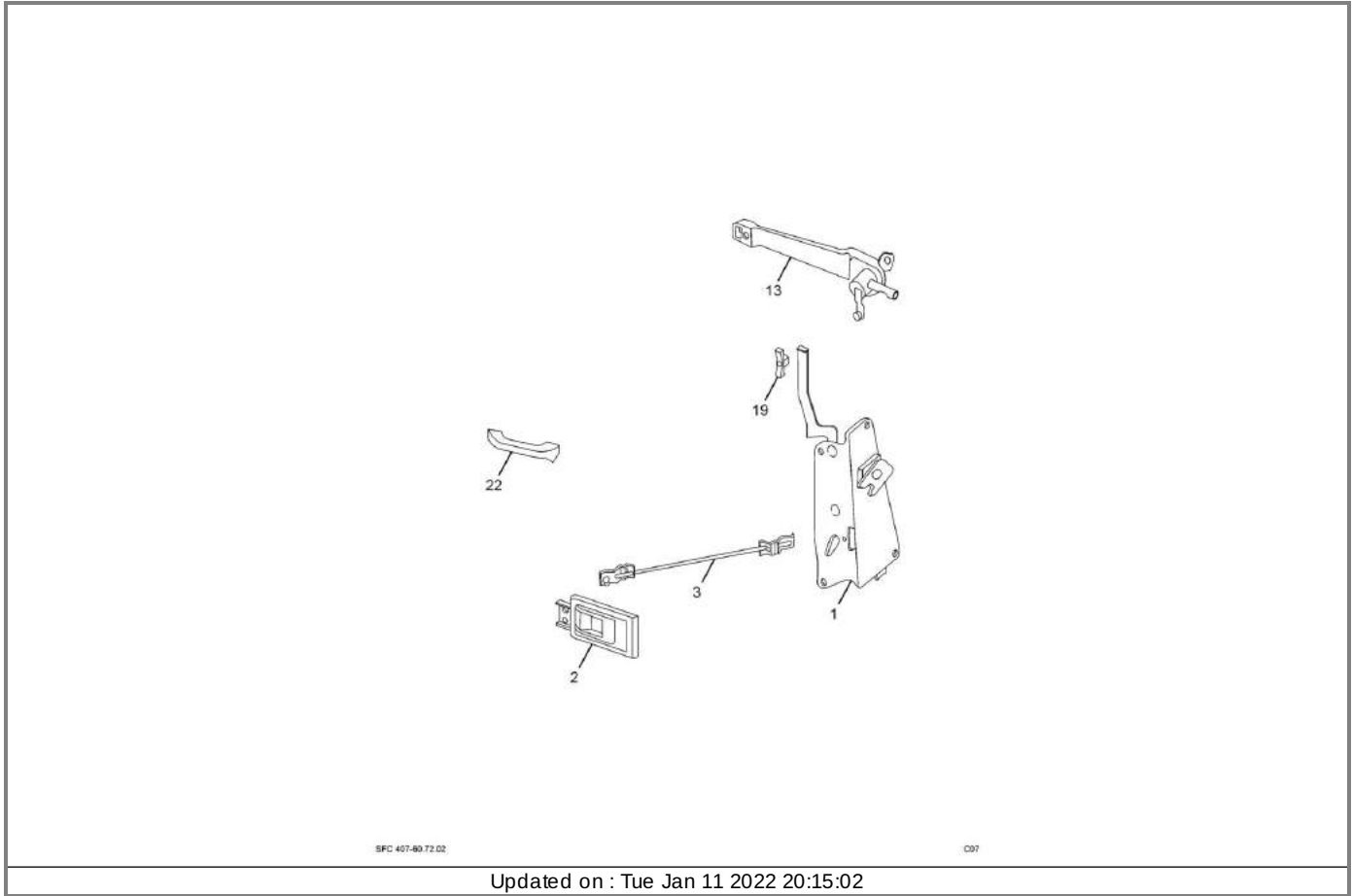
SK407-2674010172R.01

C09

Updated on : Tue Jan 11 2022 20:15:02

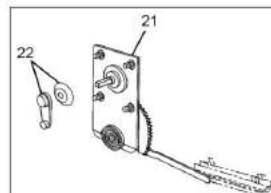
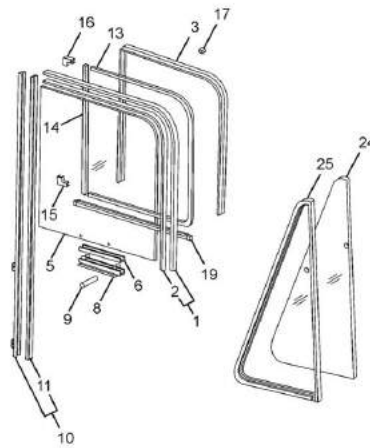
VC No : 26525527000R Group : (60) BODY Table : (2674220172R.02-DOOR LOCKS AND HANDLES)

Fig.	Part No	Part Description	Qty	Remarks
1	265172300111	ASSY. DOOR LOCK COMP. LH BS1/2/3/4/6	1	
1	265172300112	ASSY. DOOR LOCK COMP. RH BS1/2/3/4/6	1	
2	265172300144	ASSY HANDLE INNER DOOR LH	2	
	265472306318	GROMMET (INNER HANDLE)	2	
3	265172300146	ASSY PULL ROD LH	1	
3	265172300147	ASSY PULL ROD RH	1	
13	265172300134	ASSY DOOR HANDLE OUTER WITHOUT KEY LH	1	
13	265172300139	ASSY. OUTER DOOR HANDLE RH BS1/2/3/4	1	
19	265172305601	KNOB	2	
22	265172506316	GRAB_HANDLE_DOOR	2	
	265172300170	KIT FOR LOCKS CONSISTS OF	1	
	-----	ASSY KEY	1	
	-----	ASSY DOOR HANDLE OUTERW/O KEY	1	
	-----	ASSY DOOR HANDLE OUTER W/LOCK	1	
	-----	STEERING LOCK CUM IGNITION SW	1	
	-----	ASSY GLOVE BOX LOCK.	1	



VC No : 26525527000R Group : (60) BODY Table : (2674220172R.03-DOOR GLASS AND WINDOW WINDING)

Fig.	Part No	Part Description	Qty	Remarks
1	265172500152	ASSY GUIDE FRAME (REGULATING WINDOW)	2	
2	265172500152	ASSY.GUIDE FRAME REAR (REGULATING WINDOW)	2	
3	265172502514	BEADING GUIDE CHANNEL	2	
5	265172502301	GLASS PANE(REGULATING WINDOW)	2	
6	265472506312	BEADING (DOOR GLASS HOLDER)	2	
8	257672500143	ASSY CHANNEL GLASS HOLDER	1	
9	257672506716	PIN (GLASS HOLDER)	4	
10	265172500150	ASSY GUIDE FRAME LH (FRONT)	1	
10	265172500151	ASSY GUIDE FRAME RH (FRONT)	1	
11	265172500150	ASSY.GUIDE FRAME FRONT L.H.(REG.WINDOW)	2	
13	885472100407	Door Kit LH	1	
13	885472090407	Door Kit RH	1	
14	267472500117	ASSY WEATHER STRIP VERTICAL	2	
15	267472306305	BOTTOM CORNER PIECE LH	1	
15	267472306306	BOTTOM CORNER PIECE RH	1	
16	267472306304	PIECE, TOP CORNER, LH	2	
17	265172506324	CLIP (WEATHER STRIP)	16	
19	265172500164	ASSY WEATHER STRIP INNER	2	
21	265172500130	WINDOW REGULATOR LH BS1/2/3/4/6	1	
21	265172500131	WINDOW REGULATOR RH BS1/2/3/4/6	1	
22	265172310111	ASSY HANDLE & SPACER (WINDOW REGULATOR)	2	
	257672506319	NYLON ROLLER	2	
	265172504201	LOCKING PIN	2	
	265172500154	ASSY BRACKET(WINDOW FRAME MTG.)	2	
24	265172502307	GLASS PANE(FIXED WINDOW)	2	



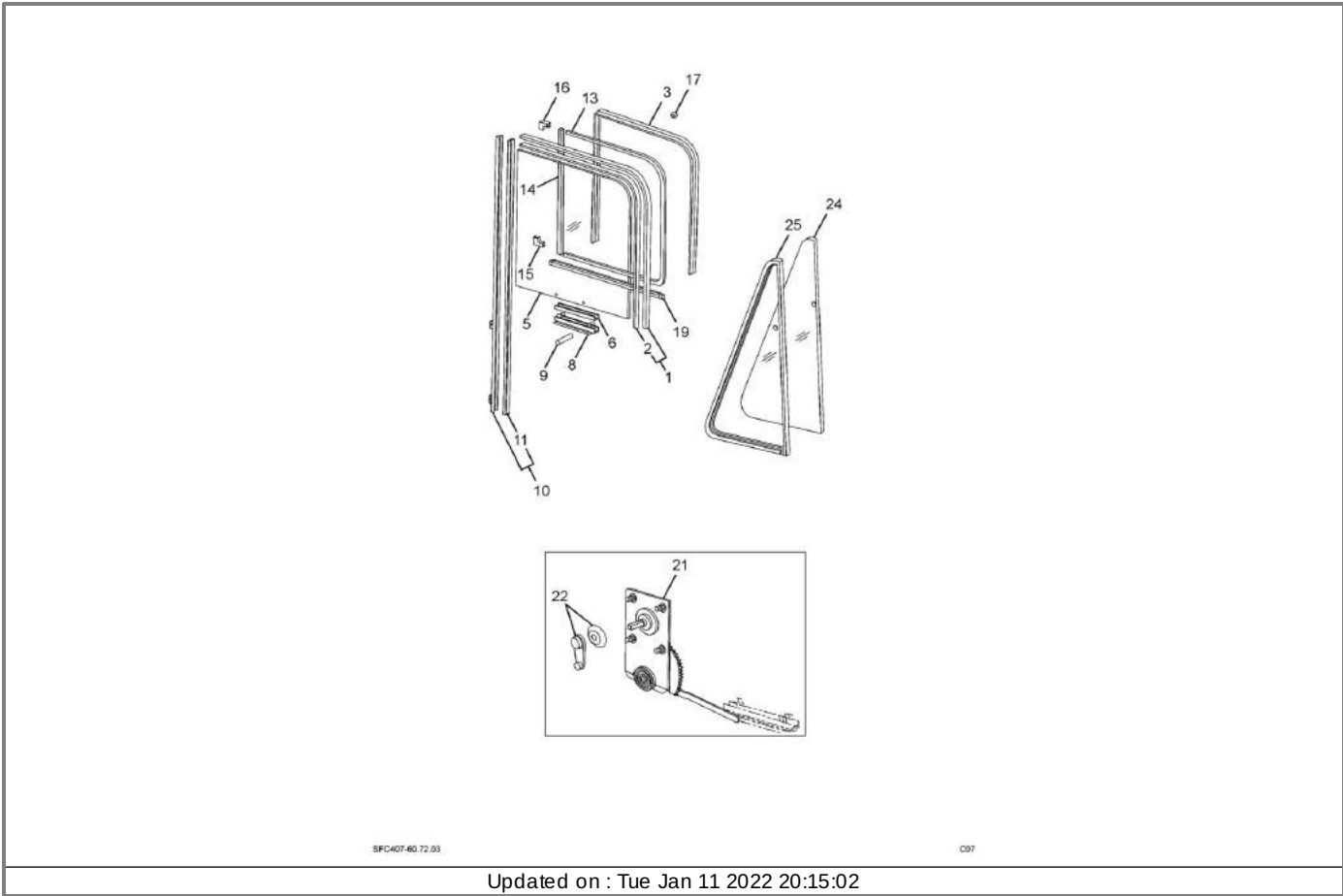
SFC407-60.72.03

097

Updated on : Tue Jan 11 2022 20:15:02

VC No : 26525527000R Group : (60) BODY Table : (2674220172R.03-DOOR GLASS AND WINDOW WINDING)

Fig.	Part No	Part Description	Qty	Remarks
25	265172506314	RUBBER MOULD LH (FIXED GLASS)	2	

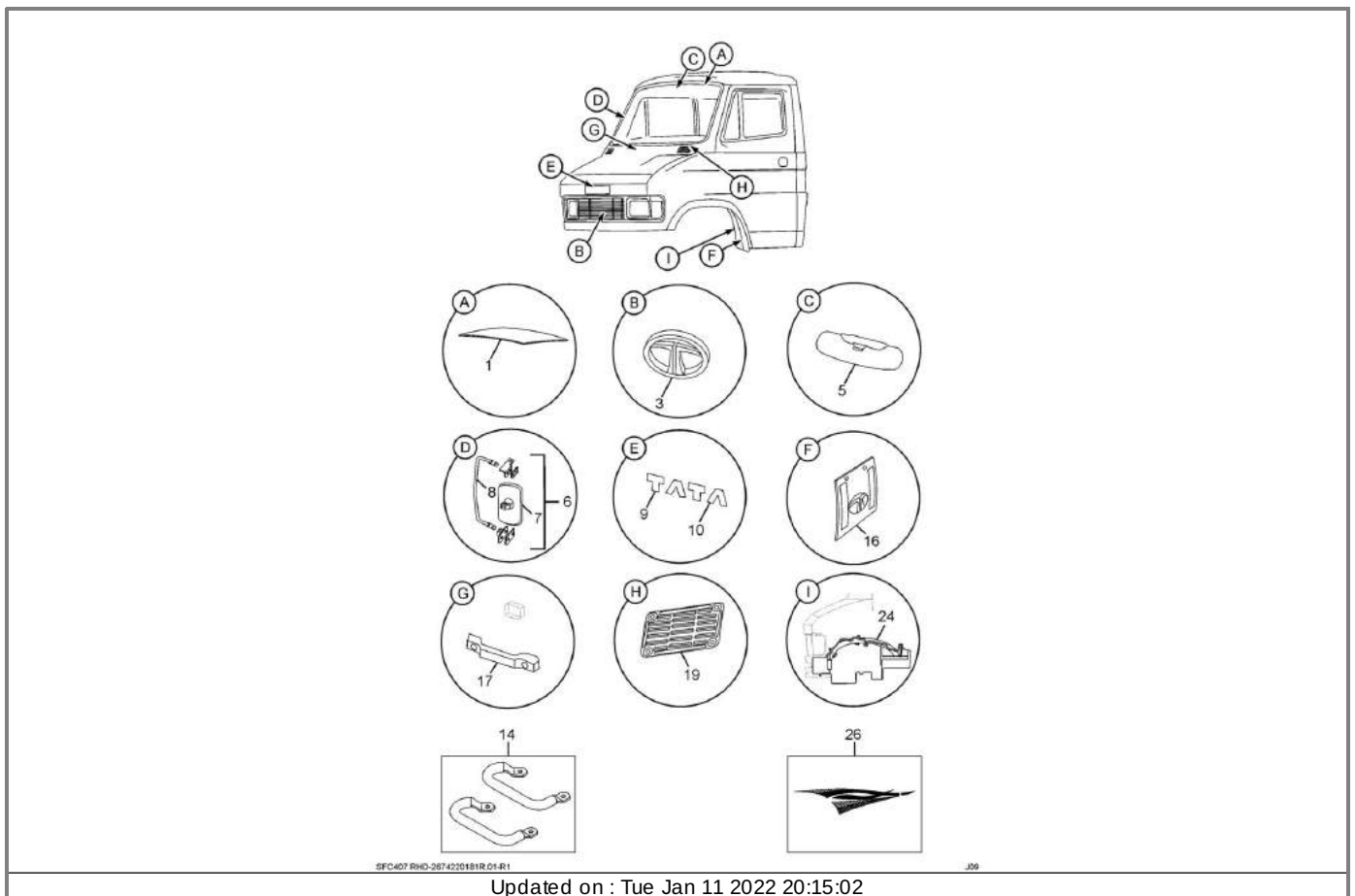


SFC407-60 72.03

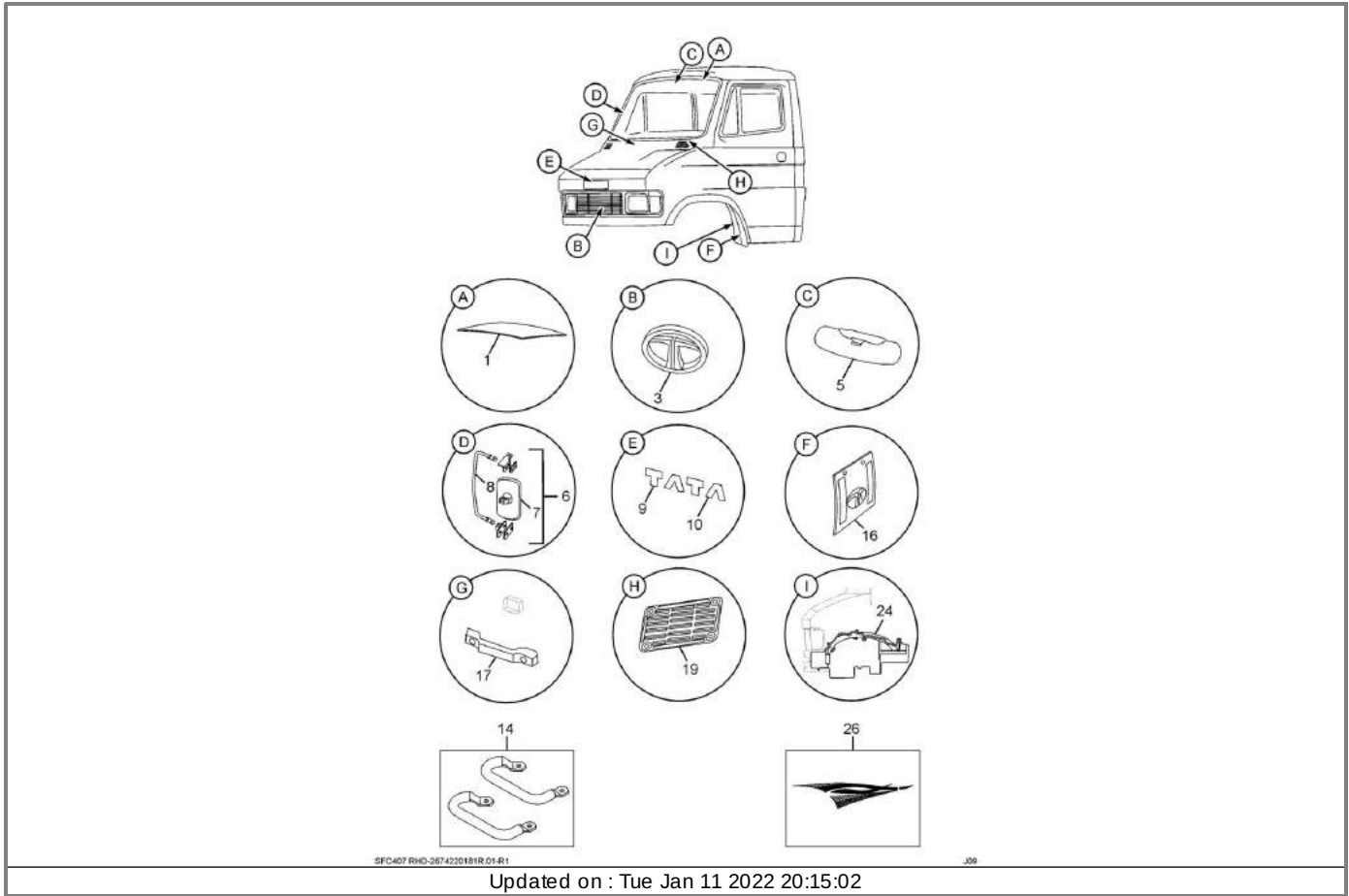
007

Updated on : Tue Jan 11 2022 20:15:02

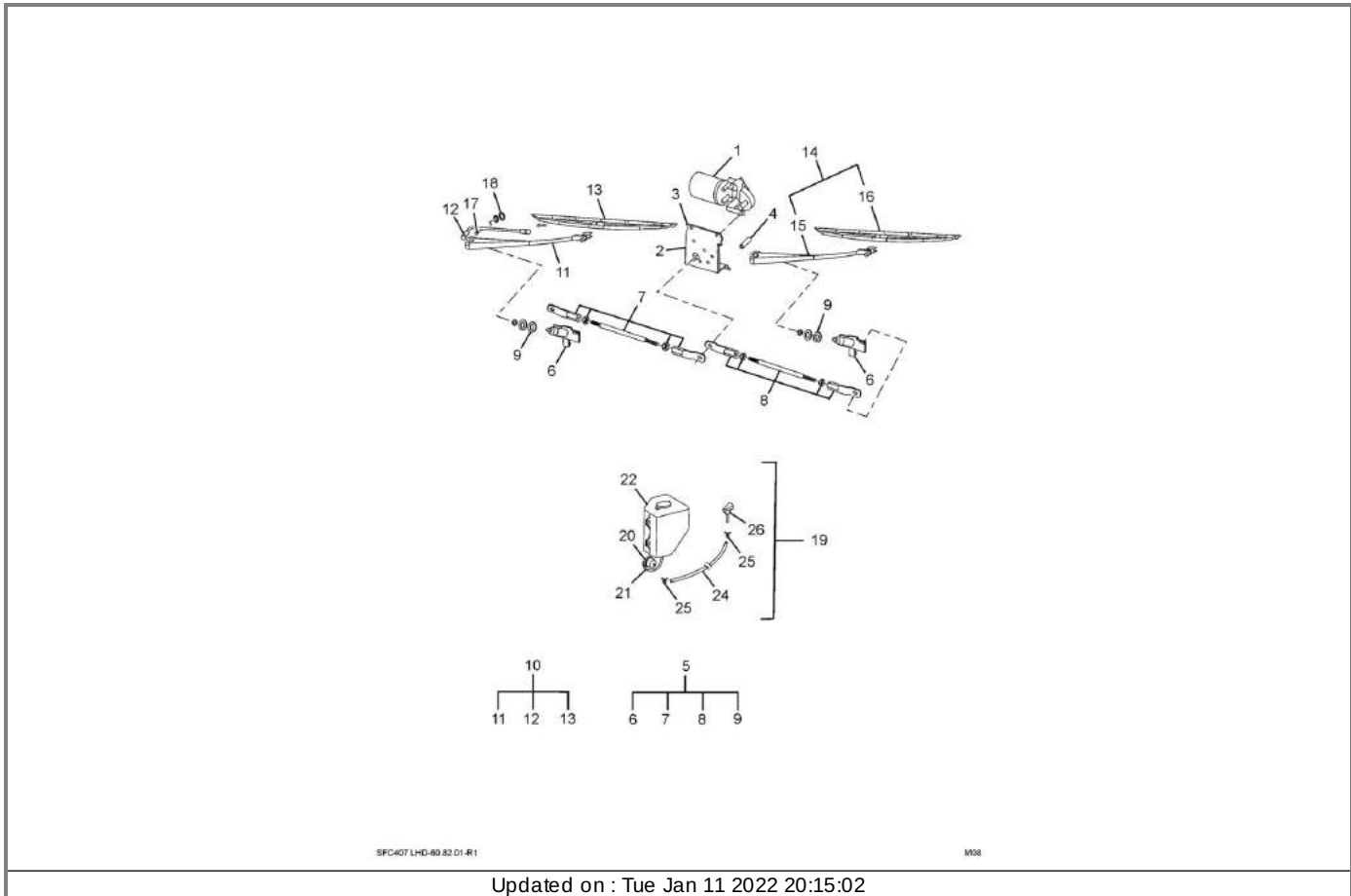
VC No : 26525527000R Group : (60) BODY Table : (2674220181R.01-INTERNAL AND EXTERNAL FITMETS)				
Fig.	Part No	Part Description	Qty	Remarks
1	265169506335	OFFER DRG.FOR MOULDED ROOF LINING	1	
	-	ROOF BEADING	1	Not Serviced.
	265169704201	CLAMP (ROOF BEADING JOINT)	1	
3	269888800107	ASSY T EMBLEM	1	
	270258408218	TRANSFER LABEL-BHARAT STAGE II	1	
5	265181100120	ASSY SUN - VISOR RH	1	
5	265181100118	ASSY SUN - VISOR LH	1	
	265181106317	CLAMP SUN VISOR	2	
6	265181100167	KIT ORVM LH/RH SFC-407 ND	1	
7	257681100153	ASSY. ORVM LH BS1/2/3/4/6	1	
7	257681100152	ASSY. ORVM RH BS1/2/3/4/6	1	
8	265181100160	ASSY TUBULAR FRAME LH	2	
8	265181100159	ASSY TUBULAR FRAME (RVM) RH	2	
9	265181006302	LETTER T'.	2	
10	265181006303	LETTER A'.	2	
14	267481106307	GRAB HANDLE LH	1	
14	267481106307	GRAB HANDLE RH	2	
16	265481100129	ASSY MUDFLAP	2	
17	274781100107	ASSY GRAB HANDLE	4	
19	269881106318	GRILL OUTER LH	1	
19	269881106319	GRILL OUTER RH	1	
	274781100107	ASSY GRAB HANDLE	4	
24	265181900109	ASSY SIDE SHIELDING L.H.RHD	1	
24	265181900110	ASSY SIDE SHIELDING R.H.RHD	1	
26	267481800104	ASSY DECORATIVE DECAL LH	1	



VC No : 26525527000R Group : (60) BODY Table : (2674220181R.01-INTERNAL AND EXTERNAL FITMENTS)				
Fig.	Part No	Part Description	Qty	Remarks
26	267481800105	ASSY DECORATIVE DECAL RH	1	

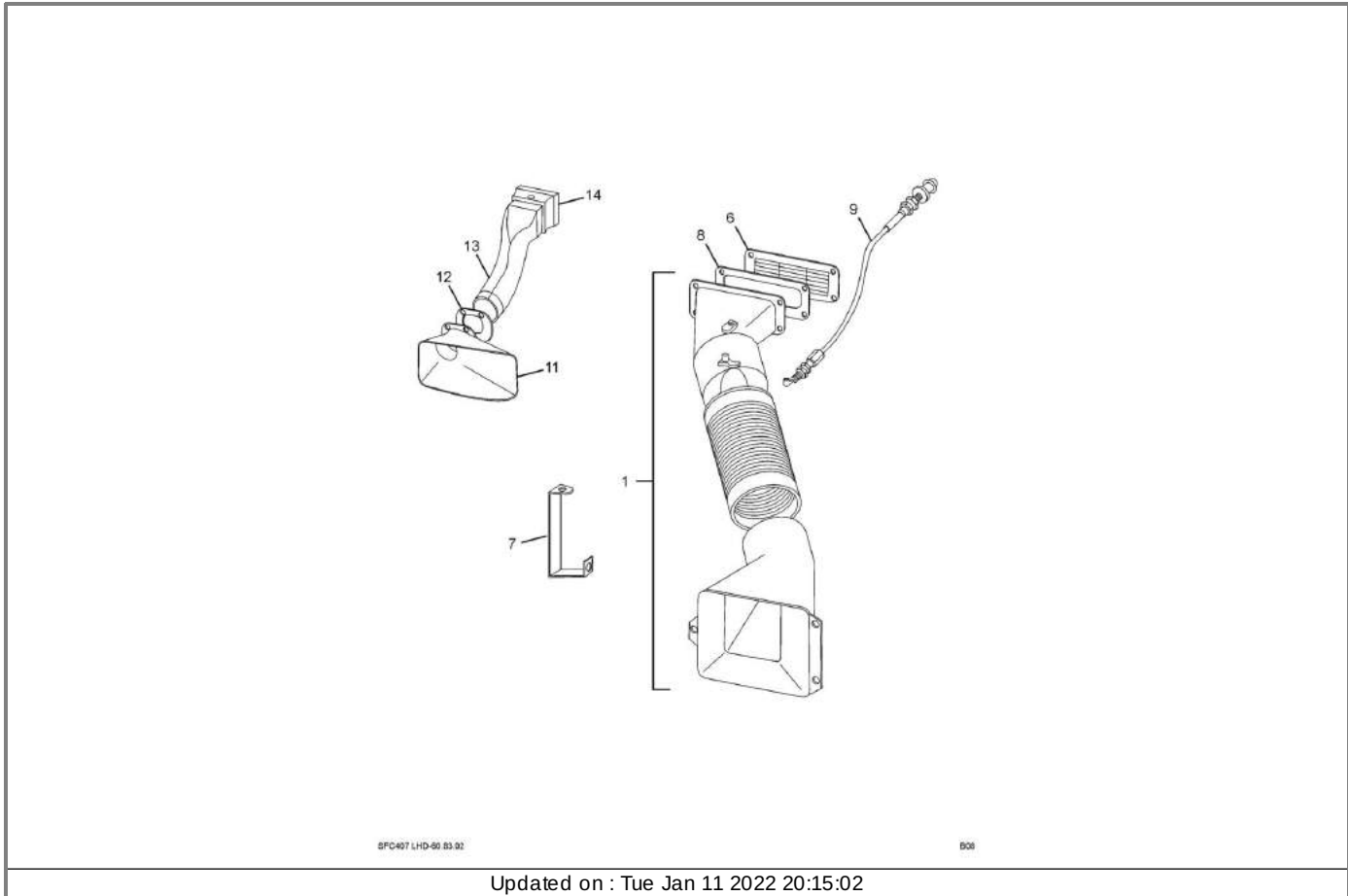


VC No : 26525527000R Group : (60) BODY Table : (2651013182R.01-WINDSHIELD WIPING AND WASHING SYSTEM)				
Fig.	Part No	Part Description	Qty	Remarks
1	265182409937	WIPER MOTOR 17W W/MSSL TRS.RHD-LUCAS	1	
1	265182409947	WIPER MOTOR RHD W/MSSL CONN-PRABHA	1	
2	265182408211	BRACKET (WIPER MOTOR MOUNTING)	1	
3	0009971881J	RUBBER GROMMET	4	
4	0429920020J	SLEEVE	4	
5	265182400138	ACCESSORIES KIT FOR WIPER MOTOR CONSISTING OF :	1	
6	-----	WHEEL BOX	2	
7	-----	ASSY LINK (338 LONG)	1	
8	-----	ASSY LINK (262 LONG)	1	
9	-----	SPACER	2	
10	265182400181	ASSY WIPER ARM,SUPPORT ARM & BLADE	1	
11	-	ASSY WIPER ARM	1	NOT SUPPLIED LOOSE
12	-----	ASSY SUPPORT ARM	1	NOT SUPPLIED LOOSE
13	-	ASSY WIPER BLADE	1	NOT SUPPLIED LOOSE
14	265182400182	ASSY WIPER ARM & BLADE	1	
15	265182400177	ASSY WIPER ARM	1	
16	265182400176	ASSY WIPER BLADE	1	
17	265182409952	BALL PIN	1	
18	265182407501	RUBBER WASHER	1	
	264782400104	ASSY COVER (FOR WHEEL BOX CUT OUT)	1	
	265182400193	ASSY COVER (FOR WHEEL BOX CUT OUT)	1	
	261082409201	TAPER WASHER	2	
	-----	WINDSHIELD WASHING SYSTEM		
19	265182400169	ASSY WINDSHIELD WASHER	1	
20	-----	PUMP ASSY	1	



VC No : 26525527000R Group : (60) BODY Table : (2674010183R.01-CAB VENTILATION)

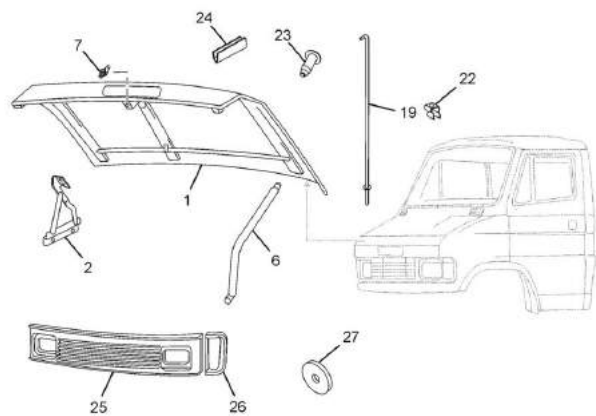
Fig.	Part No	Part Description	Qty	Remarks
1	265183100132	ASSY VENTILATION DUCT L.H.	1	
1	265183100133	ASSY VENTILATION DUCT R.H.	1	
6	265183800104	ASSY GRILL VENTILATION	2	
7	265183100105	ASSY BRACKET	1	
8	265183107701	SEALING (REAR DUCT VENTILATION)	2	
9	265183300134	ASSY CABLE(VENTILATION)	2	
11	265183106306	VENTILATION DUCT LH (DASH PANEL)	1	
11	265183106307	VENTILATION DUCT RH (DASH PANEL)	1	
12	265183107702	SEALING (VENTILATION DUCT DASH PANEL)	2	
13	265168906354	ELBOW DUCT (FRESH AIR) LH	1	
13	265168906363	ELBOW DUCT (FRESH AIR) RH	1	
14	269881106318	GRILL OUTER LH VENTILATION	1	
14	269881106319	GRILL OUTER RH VENTILATION	1	
	265168900152	ASSY VENTILATION NOZZLE	2	
	269881900101	ASSY CLIP(MSSL)BLACK 17DIA	8	



Updated on : Tue Jan 11 2022 20:15:02

VC No : 26525527000R Group : (60) BODY Table : (2674010988R.01-CENTRE BONNET)

Fig.	Part No	Part Description	Qty	Remarks
1	265188700122	ASSY. CENTRE BONNET BS2/3/4	1	
2	265188700108	ASSY HINGE LINKAGE RH (BONNET)	1	
2	265188700109	ASSY HINGE LINKAGE LH (BONNET)	1	
6	265188700176	ASSY STAY TUBE LH	1	
6	265188700175	ASSY STAY TUBE RH	1	
7	265488706310	RUBBER BUFFER	2	
19	265188700126	ASSY STAY ROD	1	
22	-	SPRING CLAMP	1	NOT SERVICED
23	265188706303	END CAP STAY ROD	1	
24	265188700161	ASSY SPRING CLAMP(RUBBER BUFFER)	4	
25	265188800116	ASSY. PLASTIC GRILL W/TEMBLEM BS2	1	
26	265188800114	ASSY PLASTIC GRILL LH SIDE BONNET	1	
26	265188800115	ASSY PLASTIC GRILL RH SIDE BONNET	1	
27	265188806307	RUBBER WASHER	4	FOR PLASTIC GRILL FITMENT
	267481100142	ASSY.BONNET INSULATION	1	

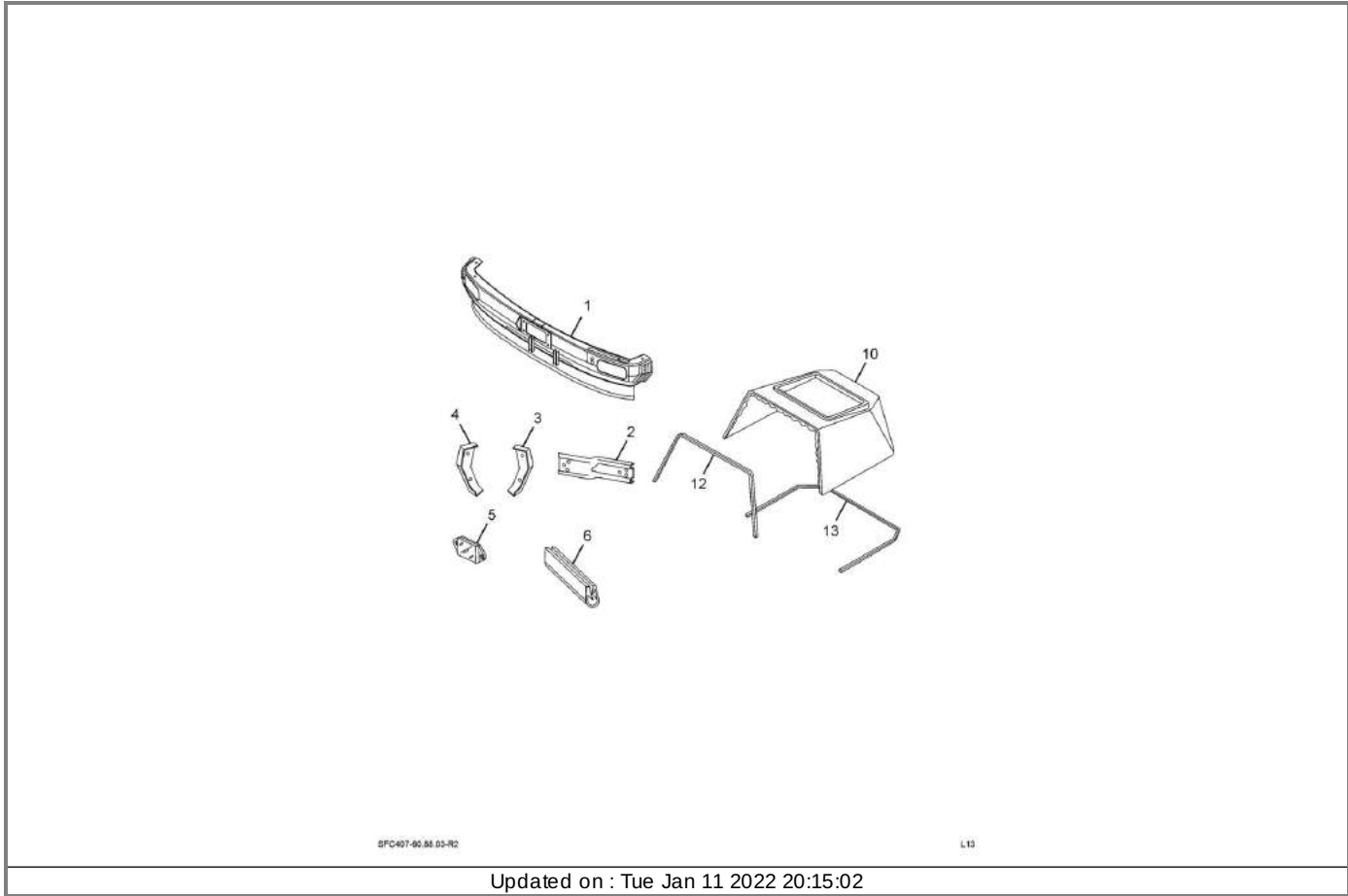


SFC407 RHD-2674010988R.01

006

Updated on : Tue Jan 11 2022 20:15:02

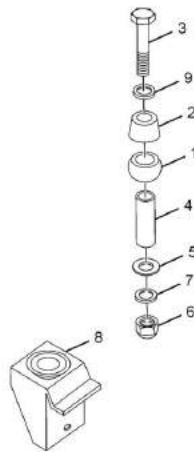
VC No : 26525527000R Group : (60) BODY Table : (2674010988R.03-BUMPER AND ENGINE HOOD)				
Fig.	Part No	Part Description	Qty	Remarks
1	26518850011822	ASSY. BUMPER POWDER COATED W/REFL BS2-6	1	Optional
1	267488500179	ASSY BUMPER COMPLETE-RHD PAINTED.	1	Optional
2	265188508202	SUPPORT BUMPER MOUNTING	2	
3	265188506306	END CAP BUMPER LH	1	
4	265188506307	END CAP BUMPER RH	1	
5	257354410137	ASSY REFLEX REFLECTOR - WHITE	2	
	-----	ENGINE HOOD		
6	265169806303	BEADING(RAIN CHANNEL) - 1210 MM	1	
10	267488700120	ASSY ENGINE HOOD COMPLETE	1	
12	267488707703	SEALING ENGINE HOOD (FLOOR SIDE)	1	
13	267488707704	SEALING ENGINE HOOD (FIREWALL SIDE)	1	



Updated on : Tue Jan 11 2022 20:15:02

VC No : 26525527000R Group : (60) BODY Table : (2674010189R.01-CAB MOUNTING)

Fig.	Part No	Part Description	Qty	Remarks
	-----	CAB MOUNTING (FRONT)		
1	265189106303	RUBBER MOUNTING (BOTTOM)	2	
2	265189106301	RUBBER MOUNTING (TOP)	2	
3	-----	HEX. BOLT M 10X95	2	NON SERVICEABLE PART
4	257629508602	SPACER	2	
5	265189108216	PLATE (RUBBER MOUNTING)	2	
6	-----	NYLOC NUT M 10	1	NON SERVICEABLE PART
7	-----	SPRING WASHER B 10	2	NON SERVICEABLE PART
	-----	CAB MOUNTING (REAR)		
1	265189106303	RUBBER MOUNTING (BOTTOM)	2	
2	265189106301	RUBBER MOUNTING (TOP)	2	
3	-----	HEX. BOLT M 10X95	2	NON SERVICEABLE PART
4	265489106904	SPACER TUBE	2	
4	257629508602	SPACER	2	
6	-----	NYLOC NUT M 10	1	NON SERVICEABLE PART
7	-----	SPRING WASHER B 10	2	NON SERVICEABLE PART
8	265189100106	ASSY MOUNTING BRACKET (REAR)	2	
9	265189108216	PLATE (RUBBER MOUNTING)	2	



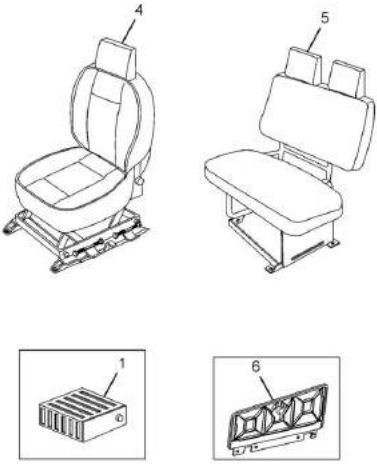
SFC407-60 89 01

097

Updated on : Tue Jan 11 2022 20:15:02

VC No : 26525527000R Group : (60) BODY Table : (2674220194R.01-DRIVER AND CODRIVER SEAT)

Fig.	Part No	Part Description	Qty	Remarks
1	265166400135	ASSY SEAT BOX RHD(DRIVERS SEAT)	1	
4	265191000101	ASSY DRIVERS SEAT	1	
5	264094000105	ASSY CO-DR SEAT W/O HR,W/GAP VINYL,HARIT	1	
6	265166400139	ASSY LID (SEAT BOX)	1	

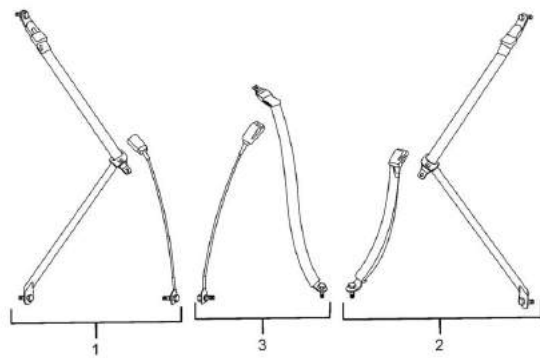


SFC407 LHD-60 01 01 008

Updated on : Tue Jan 11 2022 20:15:02

VC No : 26525527000R Group : (60) BODY Table : (2674220194R.02-SEAT BELTS)

Fig.	Part No	Part Description	Qty	Remarks
	265191510103	SEAT BELT KIT COMPLETE	1	SET A OPTIONAL TO SET B
1	265191500110	SEAT BELT KIT(DRIVER)W/ MICRO SW.(EC)	1	SET A
2	265191500104	ASSY SEAT BELT KIT(CO-DRIVER)EC	1	SET A
3	265191500107	ASSY SEAT BELT KIT(CO-DRIVER MIDDLE)EC	1	SET A
	265191510103	SEAT BELT KIT COMPLETE	1	SET B OPTIONAL TO SET A
1	265191500173	SEAT BELT KIT (DRIVER)	1	SET B
2	265191500175	ASSY SEAT BELT (CO-DRIVER)	1	SET B
3	265191500135	ASSY SEAT BELT KIT (MIDDLE)	1	SET B



SFC407-60 91.02

097

Updated on : Tue Jan 11 2022 20:15:02