



Commercial Vehicle Business Unit

Product Spare Parts Catalogue

Model	PRIMA LX 2523.T 6X2 VEHICLE WITH RA-110 AXLE, CUMMINS ISBE 6.7 BS III ENGINE, EATON DD.6 GEAR BOX, 380 DIA CLUTCH, C-SL FLAT ROOF RHD CAB
Model Category	PRIMA
VC No	50420552000R
Chassis Type	479053
Engine Type	CUMMINS ISBE 5.9 L- 230HP BS-III
Fuel Type	DIESEL



Updated on: Thu Feb 1 2024 20:15:01

Table Of Contents

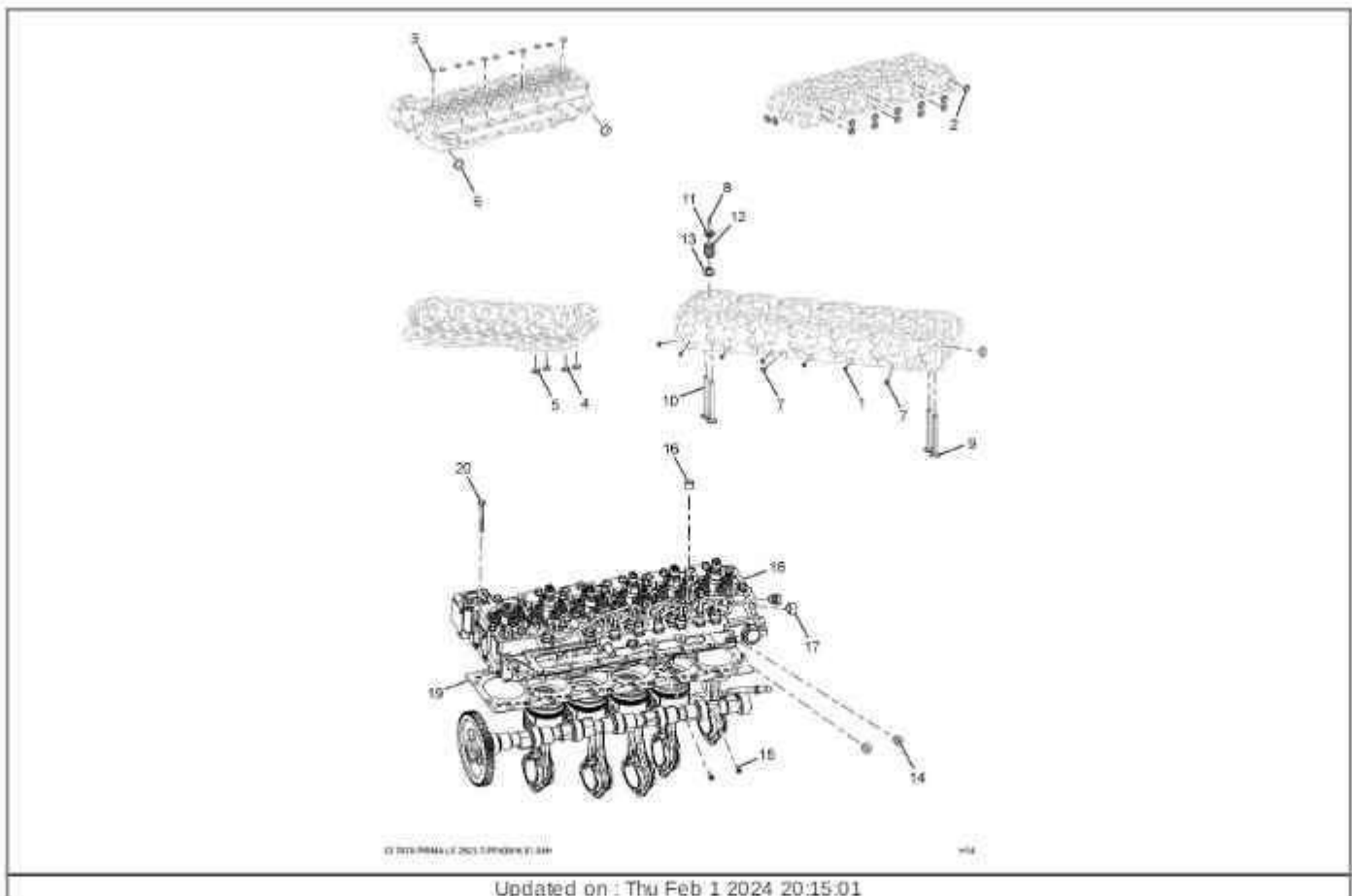
Table Of Contents	1
ENGINE	4
278 63210 00 R.01A-ENGINE	4
278 63210 00 R.02-ENGINE GASKET KIT	5
278 63210 00 R.12-FITMENTS ON ENGINE	6
AH9227 01 06H-AIR INTAKE HEATER	7
BB9539 01 01H-CYLINDER BLOCK	8
BR9472 01 10H-OIL FILL LOCATION(BREATHER, CRANKCASE)	9
CM9114 01 08H-CAM FOLLOWER COVER	10
GG9936 01 03H-FRONT GEAR COVER	11
IC9965 01 09C-AIR INTAKE CONNECTION	12
IM9261 01 07H-INTAKE MANIFOLD	13
LG90 788 01 11H-OIL LEVEL GAUGE (DI, STICK)	14
OF9766 01 02H-OIL FAN	15
PP43916 01 04H-CYLINDER HEAD	16
RP90 46 01 15C-ENGINE VENT PLUMBING	17
VC 95520 1 05H-VALVE COVER	18
BB9539 03 01H-CRANKSHAFT AND MAIN BEARING	19
CL918 0 03 0 7H-S, ACER BEARING (CLUTCH REAR)	20
DA9457 03 03H-VIBRATION DAMPER	21
Fw90 422 03 04H-FLYWHEEL AND FLYWHEEL HOUSING	22
PP43916 03 02H-CONNECTING ROD & PISTON	23
PP43916 05 01H-CAMSHAFT AND TAPPETS	25
RL98 19 05 02H-ROCKER LEVER	26
FF90 537 0 7 0 7H-PLUMBING FUEL FILTER	27
F. 92765 07 01H-FUEL, UMP	28
FT9530 07 02H-FUEL PLUMBING	29
PP43916 07 08H-INJECTOR AND FUEL LINES	30
FF90 536 09 01H-FUEL FILTER	31
CC958 4 13 02H-PLUMBING CPR COOLANT	32
CP98 40 13 01-AIR COMPRESSOR	33
IT90 78 14 05C-CONNECTION AIR TRANSFER	34
PP90 724 14 02H-TURBOCHARGER	35
TB92108 14 01-EXHAUST MANIFOLD & MOUNTING	36
TP9770 3 14 03H-TURBOCHARGER PLUMBING	37
EE938 4 15 02H-ALTERNATOR & ALTERNATOR LOCATION	38
ST9685 15 01H-STARTER MOTOR & MOUNTING	39
WP97519 15 03H-WATER PUMP DRIVE	40
WR900 44 15 04H1-WIRING HARNESS	41
PH9488 16 01X2-ENGINE MODULE CONTROL	42
PH9488 16 02X2-ENGINE MODULE CONTROL	43
LC9415 18 01H-LUBRICATING OIL COOLER AND OIL FILTER	44
LP90 72 18 02H-OIL PUMP	45
TK90 77 18 05H-COOLER, TOP CONVERTOR OIL	46
EC90 45 20 01H-THERMOSTAT	47
FN9323 20 05C1-FAN & FAN DRIVE	48
WP9083 20 02H-WATER PUMP	49
278 6320 321R.01A-AIR INTAKE SYSTEM	50
LA9289 22 01A-ARRANGEMENT,LIFTING	51
50 420 25224R.01A-ENGINE SUSPENSION ON CHASSIS	52
CLUTCH	53
2724112225R.01-CLUTCH 380 DIA	53
GEARBOX	54
21676238 26R.01-CASE ASSEMBLY	54
21676238 26R.02-CONTROL HOUSING ASSEMBLY	56
21676238 26R.03-COUNTERSHAFT ASSEMBLY	57
21676238 26R.04-INPUT SHAFT ASSEMBLY	58
21676238 26R.05-MAINSHAFT ASSEMBLY	59
21676238 26R.06-PTO ADAPTION KIT	61
21676238 26R.07-REVERSE IDLER ASSEMBLY	62
21676238 26R.08-SHIFT BAR ASSEMBLY	63
21676238 26R.09-SHIFT BAR HOUSING ASSEMBLY	64
26910320 26R.01-GEARSHIFTING MECHANISM	65
CONTROLS	67
50 420 16429R.01-PEDEL LEVER	67

50 420 16429R.02-INTEGRATED PEDAL UNIT(IMPORTED)	68
50 420 16429R.03-INTEGRATED PEDAL UNIT(INDIGENIOUS)	69
50 420 16429R.04-DUAL BRAKE VALVE AND REPAIR KIT	71
ACCELERATOR	73
28 8 0 0 138 30 R.01-ASSY ACCELERATOR	73
FRAME	74
50 420 15231R.01-FRAME	74
SUSPENSION	77
50 420 15232R.01-FRONT ANTI ROLL BAR	77
50 420 15232R.02-SHOCK ABSORBER FRONT	78
50 420 15232R.03-FRONT LEAF SPRING	79
50 420 15232R.04-LINK ROD AND BELL CRANK LEVER	81
50 420 15232R.04A-REAR LEAF SUSPENSION	82
50 420 15232R.05-REAR LEAF SPRING	83
FRONT AXLE	85
50 420 26433R.01-FRONT AXLE	85
50 420 26433R.02-FRONT AXLE	86
50 420 26433R.03-FRONT AXLE	88
50 420 26433R.04-FRONT AXLE	90
50 420 26433R.05-FRONT AXLE BRAKE COMPONENTS	91
REAR AXLE	94
27260 11535R.01-REAR AXLE RA 110	94
27260 11535R.02-REAR AXLE RA 110	95
27260 11535R.03-ASSY REAR AXLE BEAM	97
27260 11535R.04-CARRIER AND PINION HOUSING	98
27260 11535R.05-ASSLY REAR HUB COMP	101
27260 11535R.06-REAR BRAKE ASSY	102
27260 11535R.07-REAR BRAKE KITS (BIL)	103
DEAD AXLE	105
27360 12539R.01-ASSY RA-909 COMP W/BRKS	105
27360 12539R.02-ASSY RA-909 COMP BRAKES	107
WHEELS	109
50 420 15240R.01-WHEEL AND TYRES	109
PROPELLER SHAFT	110
50 420 35241R.01-PROPELLER SHAFT	110
BRAKES	111
50 420 15243R.01-BRAKE LINES	111
50 420 15243R.02-BRAKES AGGREGATES	112
50 420 15243R.03-ASSY AIR CONTAINER	114
50 420 15243R.04-BRAKE VALVES	115
50 420 15243R.05-REPAIR KIT - ASSY SPRING BRAKE ACTUATOR TYPE 20/24 VOSS VOSS V	116
STEERING	118
50 400 13446R.01-STEERING LINKAGES	118
50 400 13446R.02-STEERING AGGRTS. AND PIPELINES	119
FUEL SYSTEM	122
50 420 25247R.01-FUEL TANK AND FUEL LINES	122
EXHAUST SYSTEM	123
50 420 25249R.01-EXHAUST SYSTEM	123
RADIATOR	125
278 6320 150 R.01-RADIATOR AND INTERCOOLER MOUNTINGS	125
278 6320 150 R.02-COOLING PIPES	126
ELECTRICALS	129
28 16215254R.01-ELECTRICAL SWITCHES	129
28 16215254R.02-LAMPS	130
28 16215254R.03-BATTERY MOUNTING AND BATTERY CABLES	131
28 16215254R.04-ELECTRICAL EQUIPMENT AND INSTRUMENTS	132
28 16215254R.05-ELECTRICAL EQUIPMENT AND INSTRUMENTS	133
28 16215254R.06-ELECTRICAL EQUIPMENT AND INSTRUMENTS	134
28 16215254R.07-ELECTRICAL EQUIPMENT AND INSTRUMENTS	135
28 16215254R.08-ELECTRICAL EQUIPMENT AND INSTRUMENTS	136
28 16215254R.09-ELECTRICAL EQUIPMENT AND INSTRUMENTS	137
28 16215254R.10-WINDSHIELD WASHING EQUIPMENT	138
TOOLS	139
50 420 35258R.01-TOOLS AND ACCESSORIES	139
BODY	140
28 160 11360 R.01-CABIN	140
28 160 11360 R.02-CABIN	141

2816010467R.01-WINDSHIELD GLASS	142
2816010768R.01-CONSOLE AND DASHBOARD	143
2816010768R.02-CONSOLE AND DASHBOARD	144
2816010768R.03-CONSOLE AND DASHBOARD	145
2816010768R.04-CONSOLE AND DASHBOARD	146
2816010768R.05-CONSOLE AND DASHBOARD	147
2816010768R.06-CONSOLE AND DASHBOARD	148
2816012369R.01-LINING AND PANELLING	149
2816012369R.02-LINING AND PANELLING	150
2816012369R.03-LINING AND PANELLING	151
2816012369R.04-LINING AND PANELLING	152
2816011372R.01-FRONT DOOR GLASS AND MECHNISM	153
2816011372R.02-FRONT DOOR LOCKING SYSTEM	155
2816011372R.03-FRONT DOOR TRIMS, WHEATHER STRIP, MAG POCKET	156
2816011372R.04-WINDOW WINDING REGULATOR MANUAL	157
2816011372R.05-LOCK KIT	158
2816010375R.01-CENTER FLAP, AERO CORNER	159
2816010375R.02-CENTER FLAP, AERO CORNER	160
2816010375R.03-DIRTY STORAGE BOX	161
2816019781R.01-EQUIP. & INTERNAL FITTING	162
2816010182R.01-ASSY WINDSHIELD WIPER SYSTEM RHD	165
2816010182R.02-WINDSHIELD WASHING EQUIPMENT	166
2816010284R.01-BOX AND CONTAINER	167
2816013688R.01-FENDERS AND BUMPER	168
2816013688R.02-FENDERS AND BUMPER	170
2816011989R.01-BODY MOUNTINGS AND ACCESSORIES	172
2816011989R.02-BODY MOUNTINGS AND ACCESSORIES	175
2816011989R.03-BODY MOUNTINGS AND ACCESSORIES	176
2816010491R.01-FRONT SEAT	178
2816010491R.02-FRONT SEAT	179
2816010491R.03-FRONT SEAT	180
2816011398R.01-LOWER BERTH	181
LOAD BODY	182
2214035270R.01-LOADBODY FOR 2521 T MD/52WB	182
HVAC	184
2816012583R.01-BLOWER	184

VC No : 50420552000R Group : (00) ENGINE Table : (PP43916.01.04H-CYLINDER HEAD)

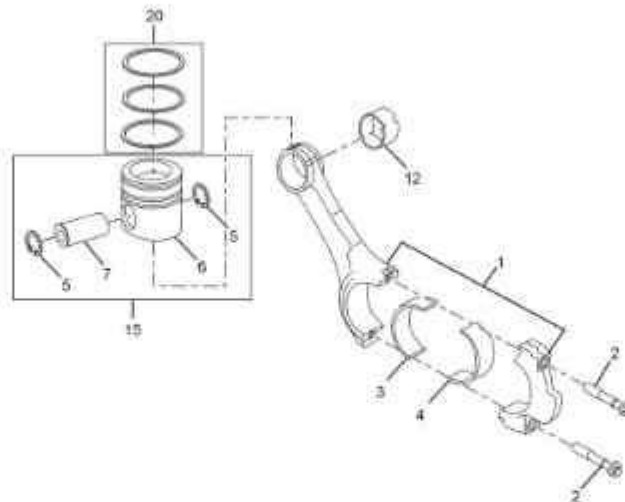
Fig.	Part No	Part Description	Qty	Remarks
1	278601989911	PLUG,EXPANSION(3007632)	7	
2	278601999906	PLUG EXPANSION	14	
3	286301999922	PLUG EXPANSION BS1/3/4/6	11	
4	278605990114	KIT INSERT INTAKE	1	NOT SERVICED
5	278605990115	KIT INSERT EXHAUST	1	NOT SERVICED
6	278601989909	PLUG,EXPANSION(3945094)	2	
7	278601989910	PLUG,EXPANSION	2	
8	278605999970	COLLECT VALVE BS1/3/4/6	48	
9	278605999969	VALVE INTAKE BS1/3/4	12	
10	570105999901	RETAINER,VALVE SPRING	24	
11	570105998701	SPRING VALVE	24	
12	278605999973	SEAL VALVE STEEM BS1/3/4	24	
13	570105999901	VALVE,EXHAUST	12	
14	278605999976	PLUG,THREADED(3678921)	2	
15	278613998002	SCREW,HEX FLANGE HEAD CAP	3	
16	278601999945	PLUG,PIPE	4	
17	278601999944	PLUG,PIPE	1	
18	278601990290	ASSY. CYLINDER HEAD ISB5.9 BS3	1	
19	278601995305	GASKET-CYLINDER HEAD ISBe5.9 BS3	1	
20	278605999975	SCREW HEX FLANGE HEAD CAP BS1/3/4/6	26	



Updated on : Thu Feb 1 2024 20:15:01

VC No : 50420552000R Group : (00) ENGINE Table : (PP43916.03.02H-CONNECTING ROD & PISTON)

Fig.	Part No	Part Description	Qty	Remarks
1	278603990175	CONNECTING ROD ISBe5.9/6.7 BS1/2/3/4/6	6	
2	278603998002	SCREW,CONNECTING ROD CAP	12	FOR FRACTURE SPLIT CONNECTING
2	278603999901	SCREW CONNECTING ROD CAP	12	FOR MACHINED CONNECTING ROD
15	278603990150	KIT-ENG. PISTON STD 6BT (SET OF 6) BS3	1	
	-----	CONSISTS OF :		
6	-	PISTON	6	
7	-	PIN PISTON	6	
5	-	RETAINING RING	12	
15	278603990151	SET-PISTON OS 0.5 BS1/3	1	
	-----	CONSISTS OF :		
6	-	PISTON	6	
7	-	PIN PISTON	6	
5	-	RETAINING RING	12	
15	278603990152	KIT, ENGINE PISTON (O/S 1) BS-III	1	
	-----	CONSISTS OF :		
6	-	PISTON	6	
7	-	PIN PISTON	6	
5	-	RETAINING RING	12	
20	278603990153	SET-PISTON RING STD (SET OF 6) 6BT BS3	1	
	-----	CONSISTS OF :		
-	-	OIL RING	6	
-	-	COMPRESSION RING	6	
-	-	COMPRESSION RING	6	
20	278603990154	SET-PISTON RING RS-0.5MM 6BT BS1/3	1	
	-----	CONSISTS OF :		



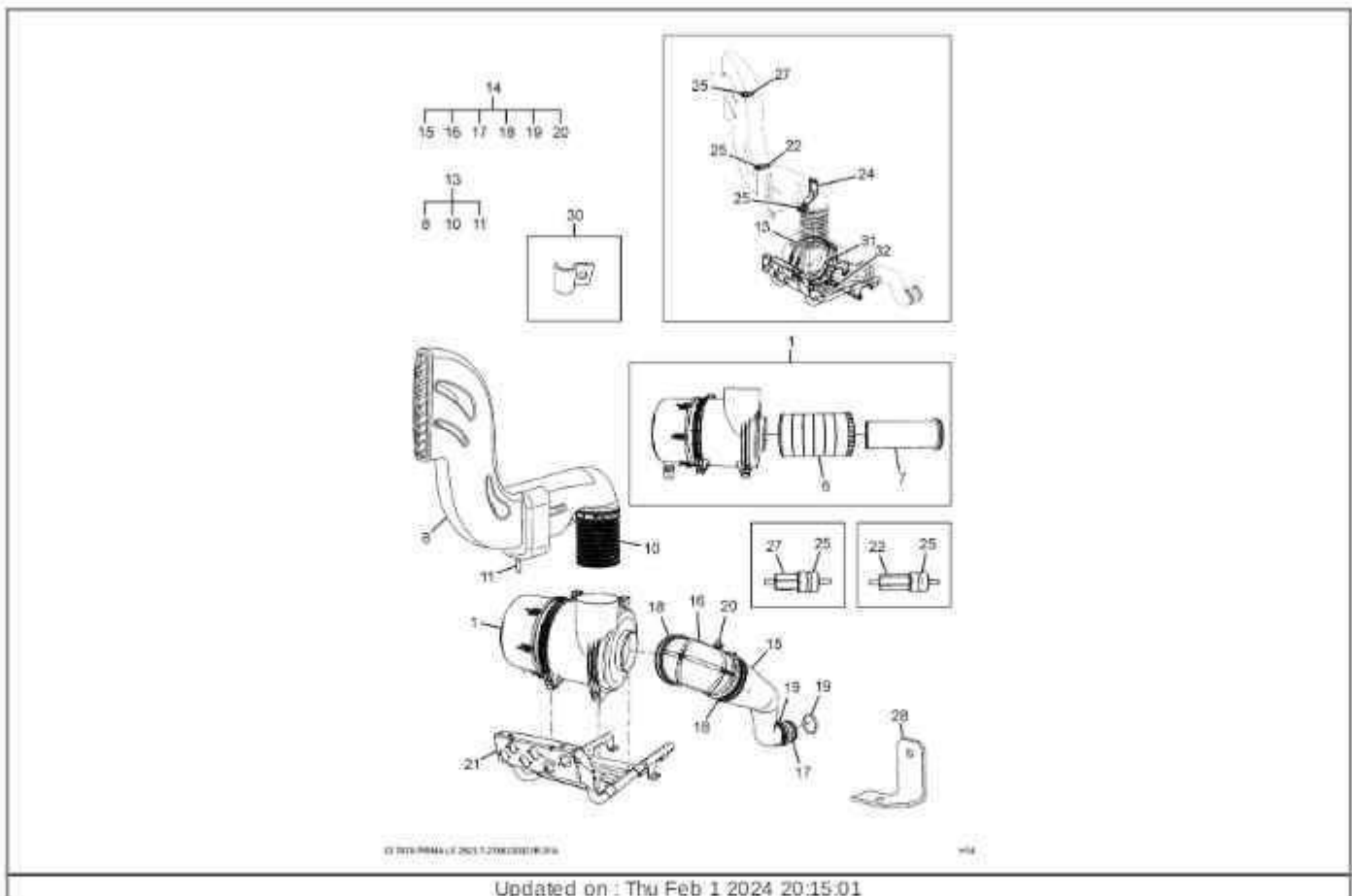
© 2014 PPRM Lx 2014P43916.03.02H

004

Updated on : Thu Feb 1 2024 20:15:01

VC No : 50420552000R Group : (00) ENGINE Table : (2786320321R.01A-AIR INTAKE SYSTEM)

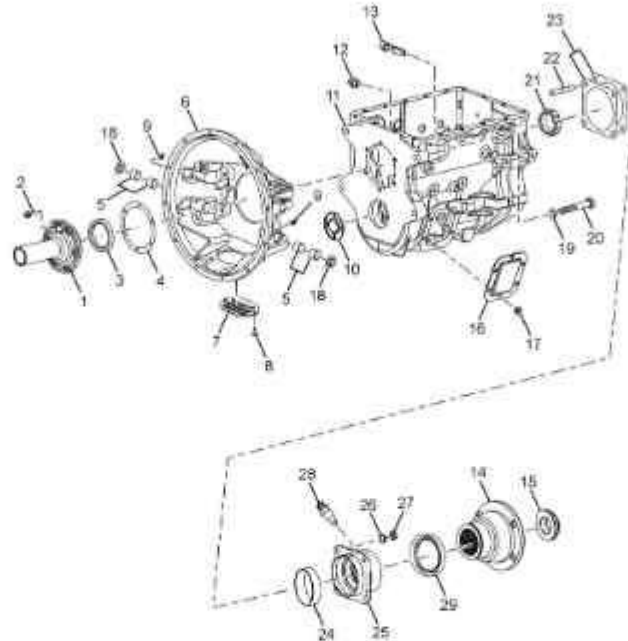
Fig.	Part No	Part Description	Qty	Remarks
1	570109130207	AIR FILTER (MANN AND HUMMEL)	1	
6	570909130106	ASSY. AIR FILTER ELEMENT (PRIMARY) BS3/4	1	
7	570909130107	AIR FILTER ELEMENT(SAFETY) BS3/4	1	
8	286309130193	SNORKEL (MANN AND HUMMEL)	1	
10	286309130200	RUBBER BELLOW ASSY (MANN AND HUMMEL)	1	
11	286309137705	WATER RETURN VALVE - SNORKEL (MANN AND HUMMEL)	1	
13	286309130193	SUCTION PIPE ASSY (MANN AND HUMMEL)	1	
14	570109130208	CLEAN AIR DUCT ASSY (MANN AND HUMMEL)	1	
15	570109136923	DUCT (AIR FILTER TO TC)	1	
16	570109135841	HOSE (AIR FILTER OUTLET)	1	
17	286309135829	HUMP HOSE (TC - MANN AND HUMMEL)	1	
18	570109134206	HOSE CLAMP (MANN AND HUMMEL)	2	
19	286309134205	HOSE CLAMP (MANN AND HUMMEL)	2	
20	286309139932	SERVICE INDICATOR (MANN AND HUMMEL)	1	
21	278609140188	ASSY BRACKET (AIR FILTER MTG.)	1	
22	570109139901	HEXAGON ROD	1	
24	570109133306	BRACKET(SNORKEL MTG.)	1	
25	570109130148	ASSY RUBBER BUFFER	1	
27	570109139902	HEXAGON ROD-SMALL	1	
28	570101173305	DIPSTIC MOUNTING BRACKET	1	
30	257642914201	CLAMP	1	
31	570109130209	AIR FILTER MTG BKT M0	1	
32	570109133314	PLATE (AIR FILTER MTG)-M0	1	



Updated on : Thu Feb 1 2024 20:15:01

VC No : 50420552000R Group : (26) GEARBOX Table : (2167623826R.01-CASE ASSEMBLY)

Fig.	Part No	Part Description	Qty	Remarks
6	271126990124	CLUTCH HOUSING ASSY	1	INCLUDED FIG. NO. 9, 5, 7 & 8
1	271126994714	FRONT BEARING COVER	1	
2	271126998031	SCREW	6	
3	271126997714	OIL SEAL	1	
4	271126995305	GASKET	1	
5	271126206901	BUSHING	4	
7	271126993701	COVER	1	
8	271126990127	SCREW & WASHER ASSY	2	
9	271126999940	FITTING	2	
10	271126997210	PLUG	1	
11	271126994713	CASE	1	
12	271126997212	FILLER PLUG	1	
13	271126997211	MAGNETIC PLUG	1	
14	271126995119	COUPLING FLANGE	1	
15	271126206503	NYLOC NUT	1	
16	271126994718	PTO PROVISION COVER	2	
17	271126998032	CAPSCREW	12	
18	271126997715	SEAL BUSHING CLUTCH HOUSING	2	
19	271126999601	LOCKWASHER	4	
20	271126998627	SCREW	4	
21	271126999935	SPEEDO ROTOR	1	
22	271126998806	STUD	4	
23	271126998307	SHIM 0.102	1	
23	271126998308	SHIM 0.178	1	
23	271126998309	SHIM 0.254	1	



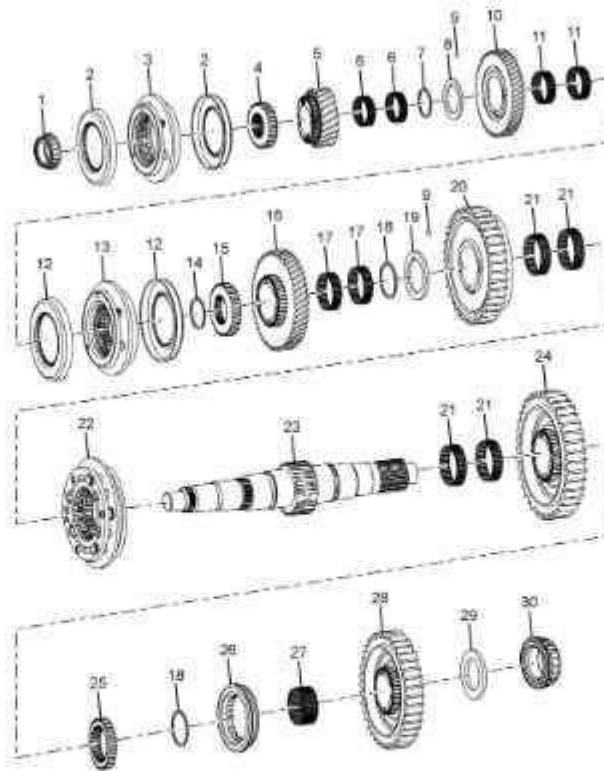
CLUTCH HOUSING ASSY

49

Updated on : Thu Feb 1 2024 20:15:01

VC No : 50420552000R Group : (26) GEARBOX Table : (2167623826R.05-MAINSHAFT ASSEMBLY)

Fig.	Part No	Part Description	Qty	Remarks
1	271126993111	BEARING CONE	1	
2	271126995120	SYNCHRO CUP 5/6	2	
3	271126990120	SYNCHRO ASSY 5/6	1	
4	271126994609	CLUTCH HUB 5/6	1	
5	271126995409	5TH GEAR M/S	1	
6	271126993113	BEARING	2	
7	271126994333	SNAP RING	1	
8	271126999216	WASHER	1	
9	271126993004	STEEL BALL	2	
10	271126995408	4TH GEAR M/S	1	
11	271126993109	BEARING	2	
12	271126995116	SYNCHRO CUP 3/4	2	
13	271126990121	SYNCHRO ASSY 3/4	1	
14	271126994332	SNAP RING	1	
15	271126994608	CLUTCH HUB 3/4	1	
16	271126995416	3RD GEAR M/S	1	
17	271126993112	BEARING	2	
18	271126994329	SNAP RING	2	
19	271126999217	WASHER	1	
20	271126995415	2ND GEAR M/S	1	
21	271126993108	BEARING	4	
22	271126990125	SYNCHRONIZER ASSY 1/2	1	
23	271126997920	MAINSHAFT	1	
24	271126995414	1ST GEAR M/S	1	
25	271126994607	CLUTCH HUB REVERSE	1	



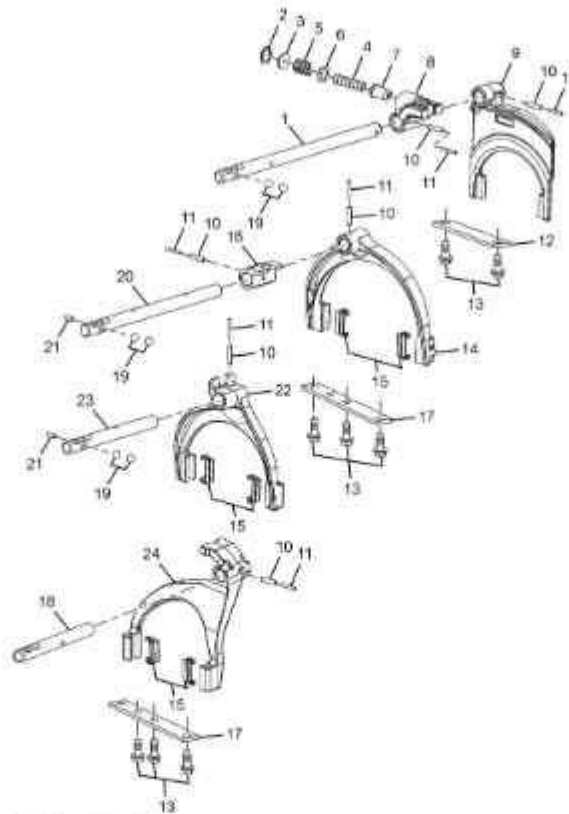
© JIN 2019 40 8842 2167623826R 05

1/1

Updated on : Thu Feb 1 2024 20:15:01

VC No : 50420552000R Group : (26) GEARBOX Table : (2167623826R.08-SHIFT BAR ASSEMBLY)

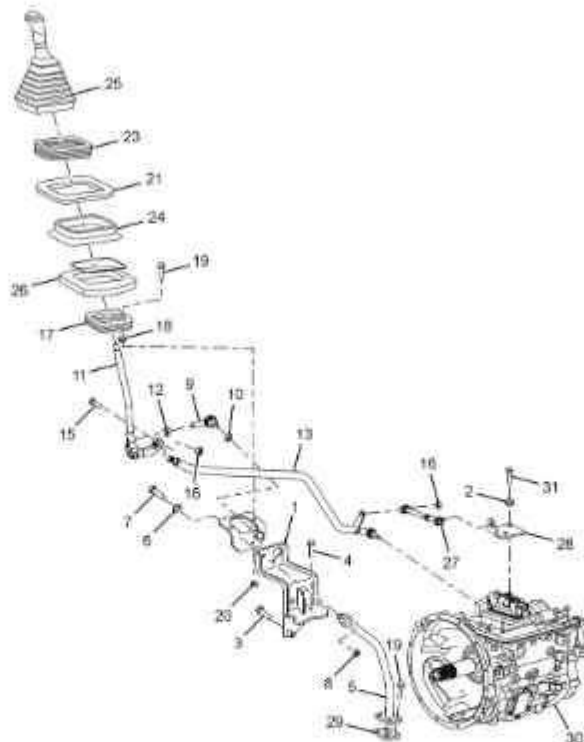
Fig.	Part No	Part Description	Qty	Remarks
1	271126997927	YOKE BAR REVERSE	1	
2	271126994331	SNAP RING	1	
3	271126999220	WASHER	1	
4	271126998719	SPRING	1	
5	271126998721	SPRING	1	
6	271126999218	WASHER	1	
7	271126996707	PLUNGER	1	
8	271126997918	SHIFT BLOCK REVERSE	1	
9	271126997929	YOKE ASSY REVERSE	1	
10	271126997936	PIN	6	
11	271126997935	PIN	6	
12	271126998720	SHIFT BAR RETAINER	1	
13	271126998030	CAPSCREW	8	
14	271126990122	YOKE ASSY 1ST/2ND	1	INCLUDES 15
15	271126997930	YOKE PAD	6	
16	271126997928	SHIFT BLOCK 1ST/2ND	1	
17	271126996708	SHIFT BAR RETAINER	2	
18	271126997932	YOKE BAR 5TH/6TH	1	
19	271126993006	STEEL BALL	6	
20	271126997933	YOKE BAR 1ST/2ND	1	
21	271126996706	PIN	2	
22	271126997938	YOKE ASSY 3RD/4TH	1	INCLUDES 15
23	271126997931	YOKE BAR 3RD/4TH	1	
24	271126997937	YOKE ASSY 5TH / 6TH	1	INCLUDES 15



Updated on : Thu Feb 1 2024 20:15:01

VC No : 50420552000R Group : (26) GEARBOX Table : (2691032026R.01-GEARSHIFTING MECHAENISM)

Fig.	Part No	Part Description	Qty	Remarks
1	504226800109	ASSY BRACKET (G.S LEVER MTG.)	1	
2	12520698050	SPRING WASHER B10 IS3063 SS8451-8C	9	NON SERVICEBLE PART
3	11063899161	HEX BOLT M10X110 IS1364P1-8.8-SS8451-8C	2	NON SERVICEBLE PART
4	11323996051	HEX SCREW M10X30 IS1364P2-8.8-SS8451-8C	2	NON SERVICEBLE PART
5	504226810102	ASSY SUPPORT TUBE	1	
6	12520698025	SPRING WASHER B8 IS3063 SS8451-8C	2	NON SERVICEBLE PART
7	11067408324	HEX BOLT M8X32 TS17100-8.8SS8457S1-S-B	2	
8	12051598022	HEX NUT M8 IS1364P3-8-SS8451-8C	2	NON SERVICEBLE PART
9	250726700152	SUB ASSY. BALL & SOCKET JOINT BIG BS1-4	1	
10	12052296054	HEX NUT M12 IS1364P3-10-SS8451-8CH	2	NON SERVICEBLE PART
11	504226800113	ASSY SELECTOR SHIFTER FORK	1	
12	12080901800	HEX THIN NUT M18X1.5IS13724-05 SS8451-8C	1	NON SERVICEBLE PART
13	504226810101	ASSY TURNING TUBE WITHOUT BALL JOINT	1	
15	11063896197	HEX BOLT M10X50 IS1364P1-8.8-SS8451S2-Y	1	NON SERVICEBLE PART
16	12051598073	HEX NUT M10 IS1364P3-8-SS8451-8C	3	NON SERVICEBLE PART
17	504226806301	BASE PLATE	1	
18	12520698017	SPRING WASHER B6 IS3063 SS8451-8C	3	NON SERVICEBLE PART
19	11323998169	HEX SCREW M6X20 IS1364P2-8.8-SS8451S2-Y	3	NON SERVICEBLE PART
20	12051598081	HEX NUT M6 IS1364P3-8-SS8451-8C	3	NON SERVICEBLE PART
21	504226800111	ASSY RETAINER PLATE(ON CAB)	1	
23	504226806302	RETAINER PLATE (MIDDLE)	1	
24	504226806304	SEALING PLATE	1	
25	504226807702	RUBBER BELLOW (UPPER)	1	
26	504226807701	BASE BELLOW	1	
27	275126806001	SHIFT LINK ROD	1	



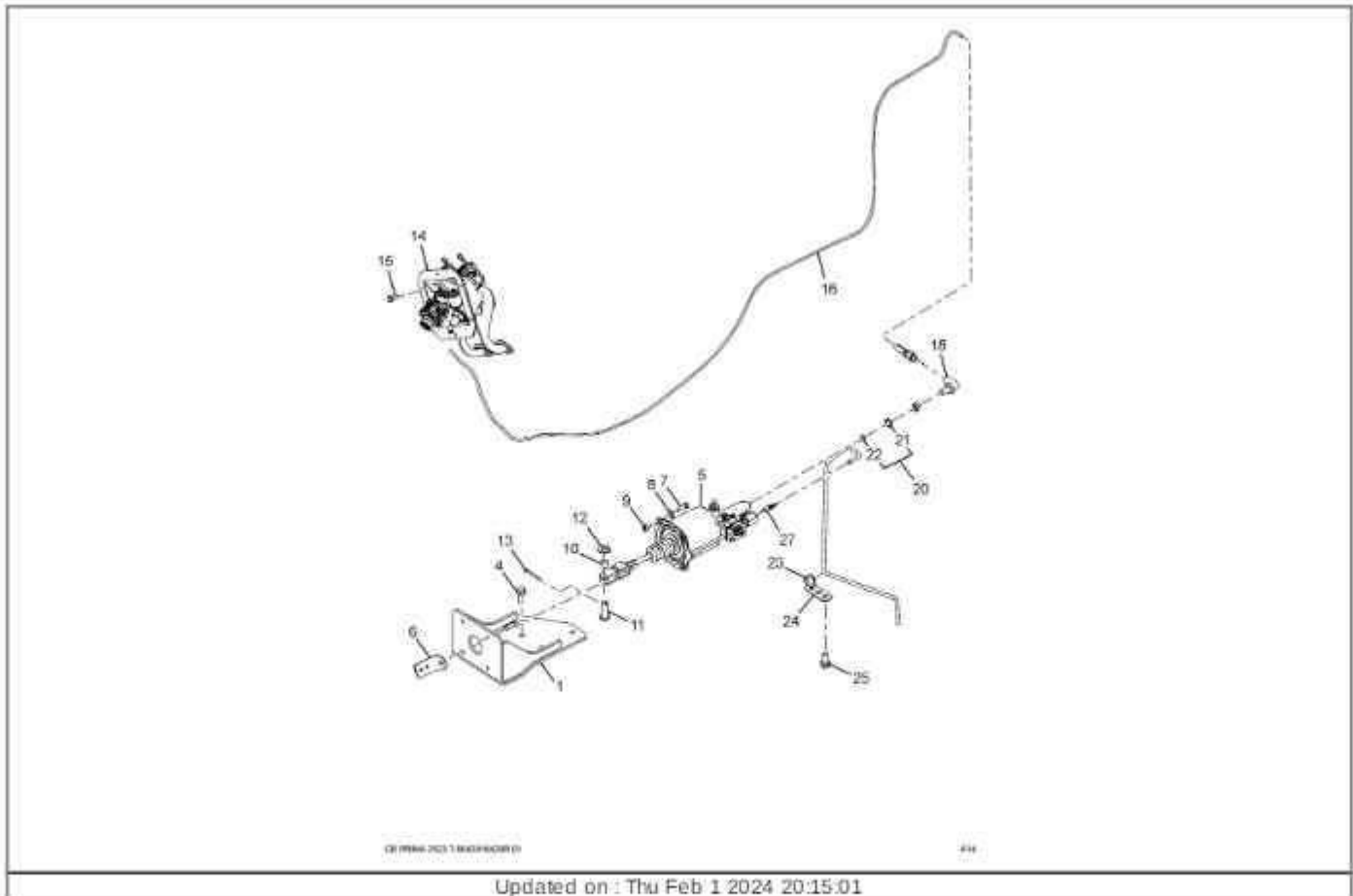
CP PRIMA Lx 2522.7 TC (2691032026R.01)

014

Updated on : Thu Feb 1 2024 20:15:01

VC No : 50420552000R Group : (29) CONTROLS Table : (5042016429R.01-PEDEL LEVER)

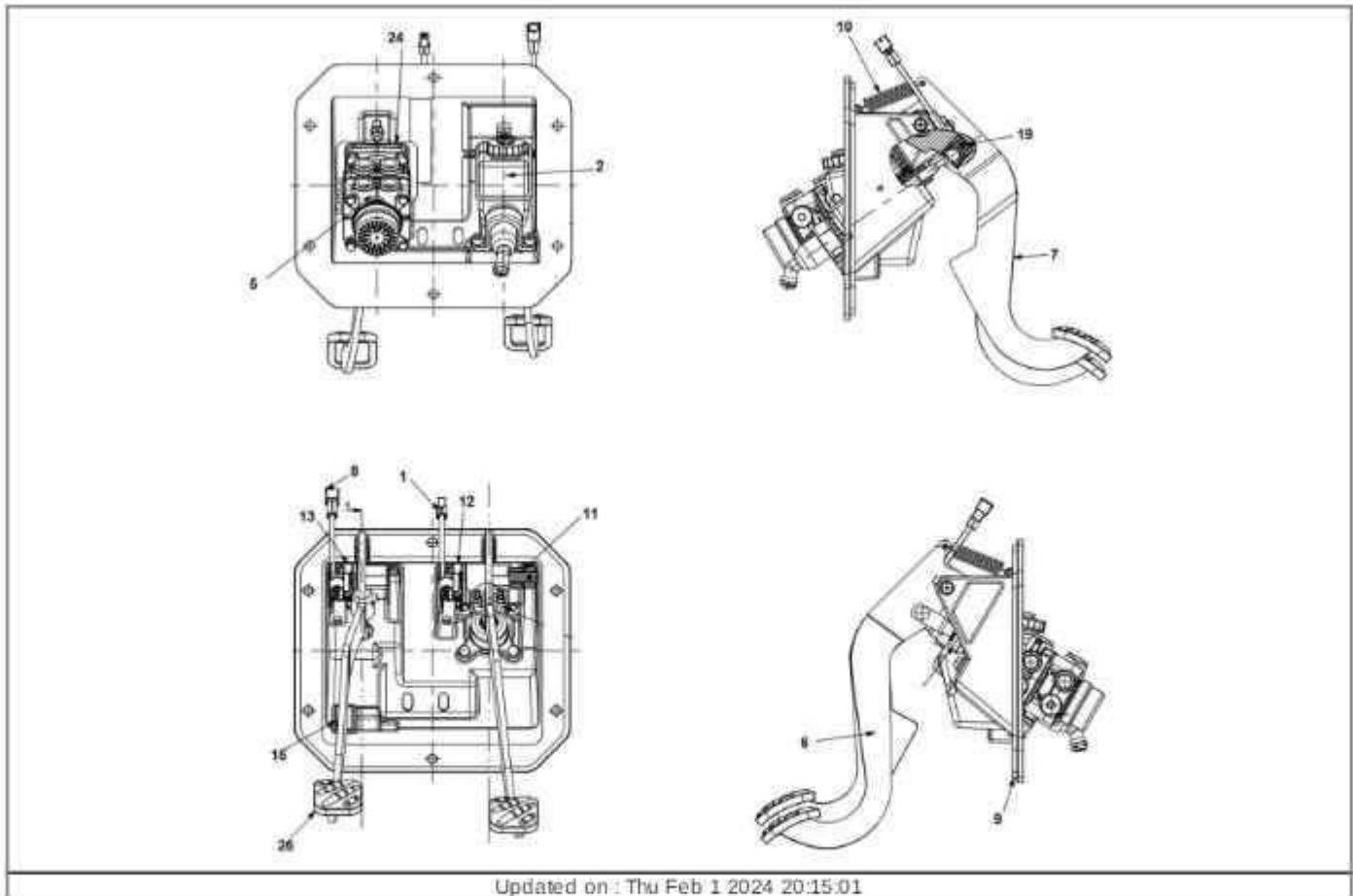
Fig.	Part No	Part Description	Qty	Remarks
1	504229100102	ASSY BRACKET CLUTCH BOOSTER MTG	1	
4	11341512281	HEX FL SCREW M12X28	3	
5	504229300101	ASSY CLUTCH BOOSTER (TYPE-1)	1	
7	11323998037	HEX SCREW M8X25 IS1364P2-8.8-SS8451-8C	4	
8	12520698025	SPRING WASHER B8 IS3063 SS8451-8C	4	
9	12051598022	HEX NUT M8 IS1364P3-8-SS8451-8C	4	
10	275129506301	BUSH	1	
11	257329209904	PIN	1	
12	12460501057	BRIGHT WASHER 10.5 IS2016 ST SS8451-8C	1	
13	13150608257	SPLIT PIN 3.2X25 IS549 SS8451S2-Y	1	
14	288529000101	ASSY INTEGRATED PEDAL UNIT (TYPE-1)	1	IMPORTED, IN SELECTION WITH IN
	502229000103	ASSY INTEGRATED PEDAL UNIT (TYPE-1)		INDIGENIOUS, IN SELECTION WITH
15	11343510286	HEX FL SCR M10X28 TS17130 8.8 SS8451S2-Y	6	
16	505029100101	HOSE FROM M/CYL TO CLUTCH-SERVO(TYPE-1)	1	
20	-	ASSY SEALING RING	1	
21	260843509201	THRUST RING	1	
22	17050501124	O-RING 12.37X2.62 TS16220	1	
23	62196058261	CABLE TIE 4.7X110 BLACK TS29360	13	
24	288547603301	SUPPORT PLATE FOR ASSY FUEL LINES	1	
25	11341512281	HEX FL SCREW M12X28TS17130-8.8-SS8451-8C	1	
27	278243900114	STRAIGHT CONNECTOR NG8 VOSS	1	



Updated on : Thu Feb 1 2024 20:15:01

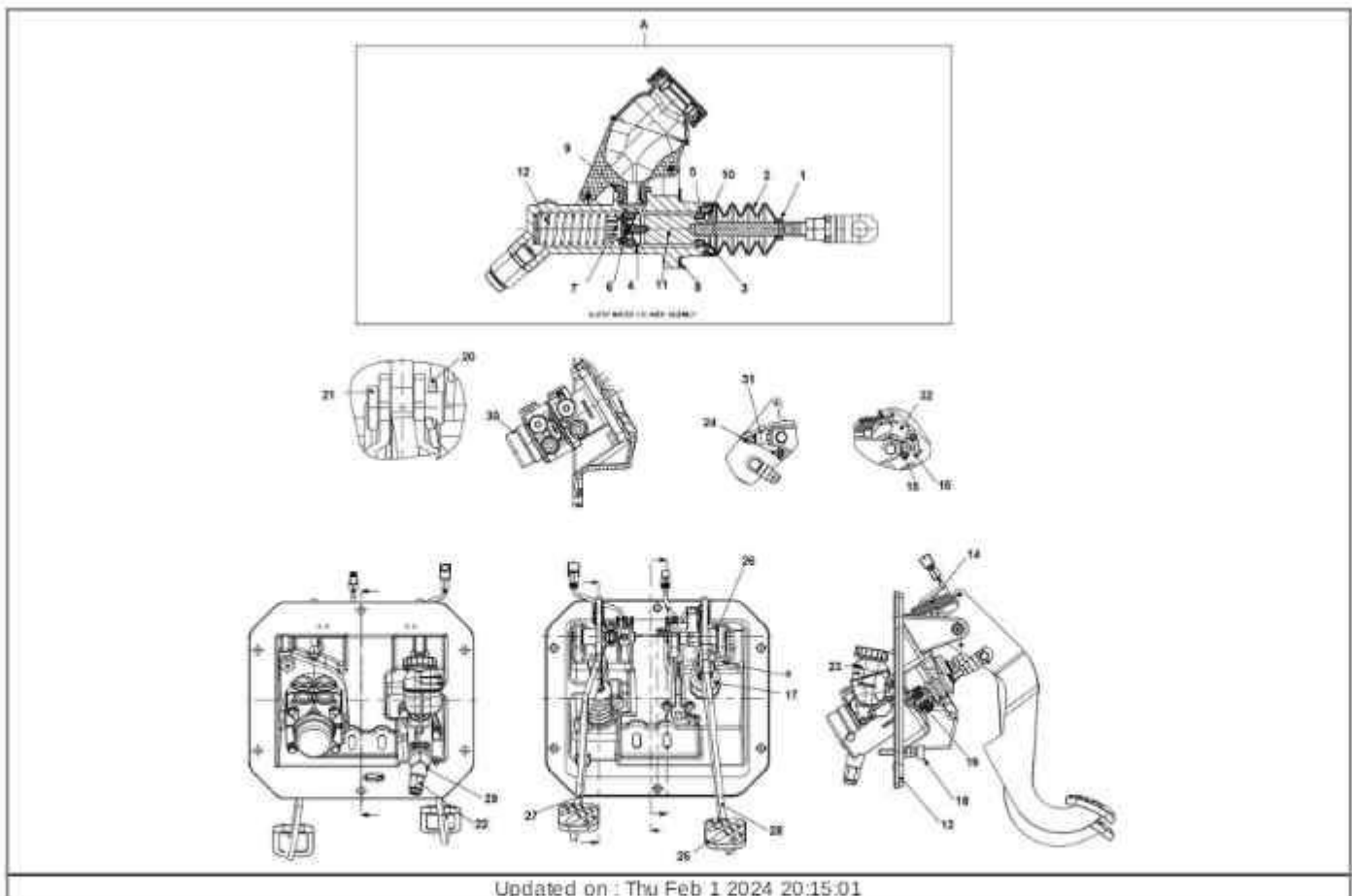
VC No : 50420552000R Group : (29) CONTROLS Table : (5042016429R.02-INTEGRATED PEDAL UNIT (IMPORTED))

Fig.	Part No	Part Description	Qty	Remarks
-	288529000101	ASSY. INTEGRATED PEDAL UNIT (IMPORTED)	1	
1	281654509942	BRAKE SWITCH	1	
2	500629300102	ASSY. CLUTCH MASTER CYLINDER BS3/4	1	
5	288043700102	DUAL BRAKE VALVE	1	
6	500629200101	ASSY BRAKE PEDAL	1	
7	500629100101	ASSY CLUTCH PEDAL	1	
8	281654509941	CLUTCH SWITCH	1	
-	288529990103	KIT Integrated Pedal Unit Imported	1	
9	-	GASKET	1	Serviced Under Kit
10	288029308702	SPRING	2	
11	-	PLAIN BEARING	4	Serviced Under Kit
12	-	CAM-BRAKE	1	Serviced Under Kit
13	-	CAM-CLUTCH	1	Serviced Under Kit
15	-	LOWER STOPEER	1	Serviced Under Kit
-	-	BUM STOPEER	1	Serviced Under Kit
19	-	KNOB	1	Serviced Under Kit
-	-	E-CLIP	1	Serviced Under Kit
-	-	TREAD AXIS	1	Serviced Under Kit
24	-	GASKET	1	Serviced Under Kit
26	-	PEDAL COVER	2	Serviced Under Kit
-	-	RETAINING RING	1	Serviced Under Kit
-	-	Grease Satchel(JED-003-MO)-OKS	1	Serviced Under Kit



Updated on : Thu Feb 1 2024 20:15:01

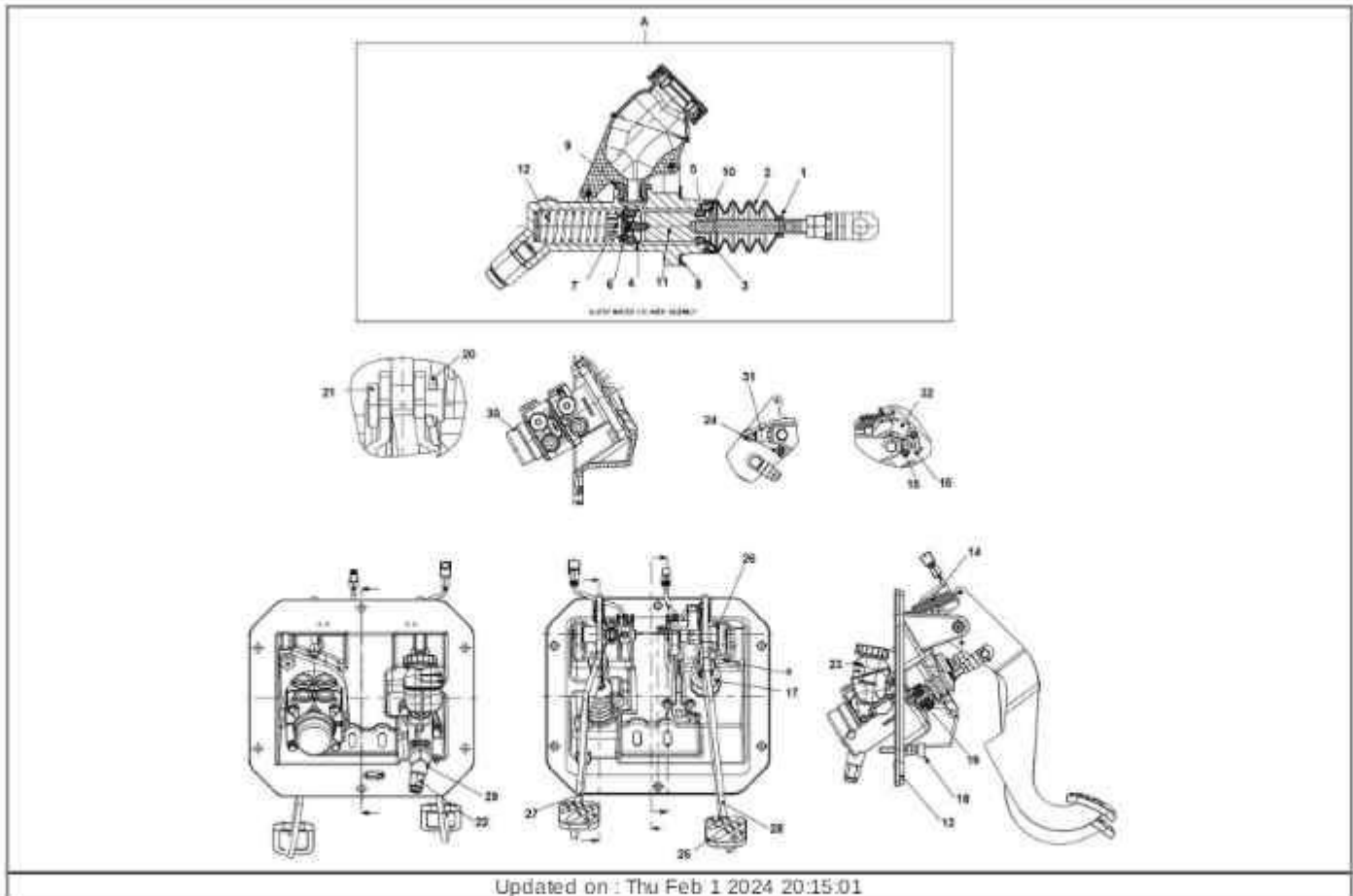
VC No : 50420552000R Group : (29) CONTROLS Table : (5042016429R.03-INTEGRATED PEDAL UNIT (INDIGENIOUS))				
Fig.	Part No	Part Description	Qty	Remarks
-	502229000103	ASSY. INTEGRATED PEDAL UNIT (INDIGENIOUS)	1	
A	288029300101	KIT-MASTER CYLINDER MINOR	1	
-	-	Consist of:-		
1	-	BOOT RETAINER	1	Serviced Under Kit
2	-	GAITER	1	Serviced Under Kit
3	-	RETAINING RING	1	Serviced Under Kit
4	-	GUIDE RING	2	Serviced Under Kit
5	-	LIP SEAL	2	Serviced Under Kit
6	-	VALVE	1	Serviced Under Kit
7	-	SPRING GUIDE	1	Serviced Under Kit
8	-	GASKET	1	Serviced Under Kit
9	-	GASKET	1	Serviced Under Kit
A	288029300102	KIT-MASTER CYLINDER MAJOR	1	
-	-	Consist of:-		
1	-	BOOT RETAINER	1	Serviced Under Kit
2	-	GAITER	1	Serviced Under Kit
3	-	RETAINING RING	1	Serviced Under Kit
4	-	GUIDE RING	2	Serviced Under Kit
5	-	LIP SEAL	2	Serviced Under Kit
6	-	VALVE	1	Serviced Under Kit
7	-	SPRING GUIDE	1	Serviced Under Kit
8	-	GASKET	1	Serviced Under Kit
9	-	GASKET	1	Serviced Under Kit
10	-	WASHER	1	Serviced Under Kit
11	-	PISTON	1	Serviced Under Kit



Updated on : Thu Feb 1 2024 20:15:01

VC No : 50420552000R Group : (29) CONTROLS Table : (5042016429R.03-INTEGRATED PEDAL UNIT (INDIGENIOUS))

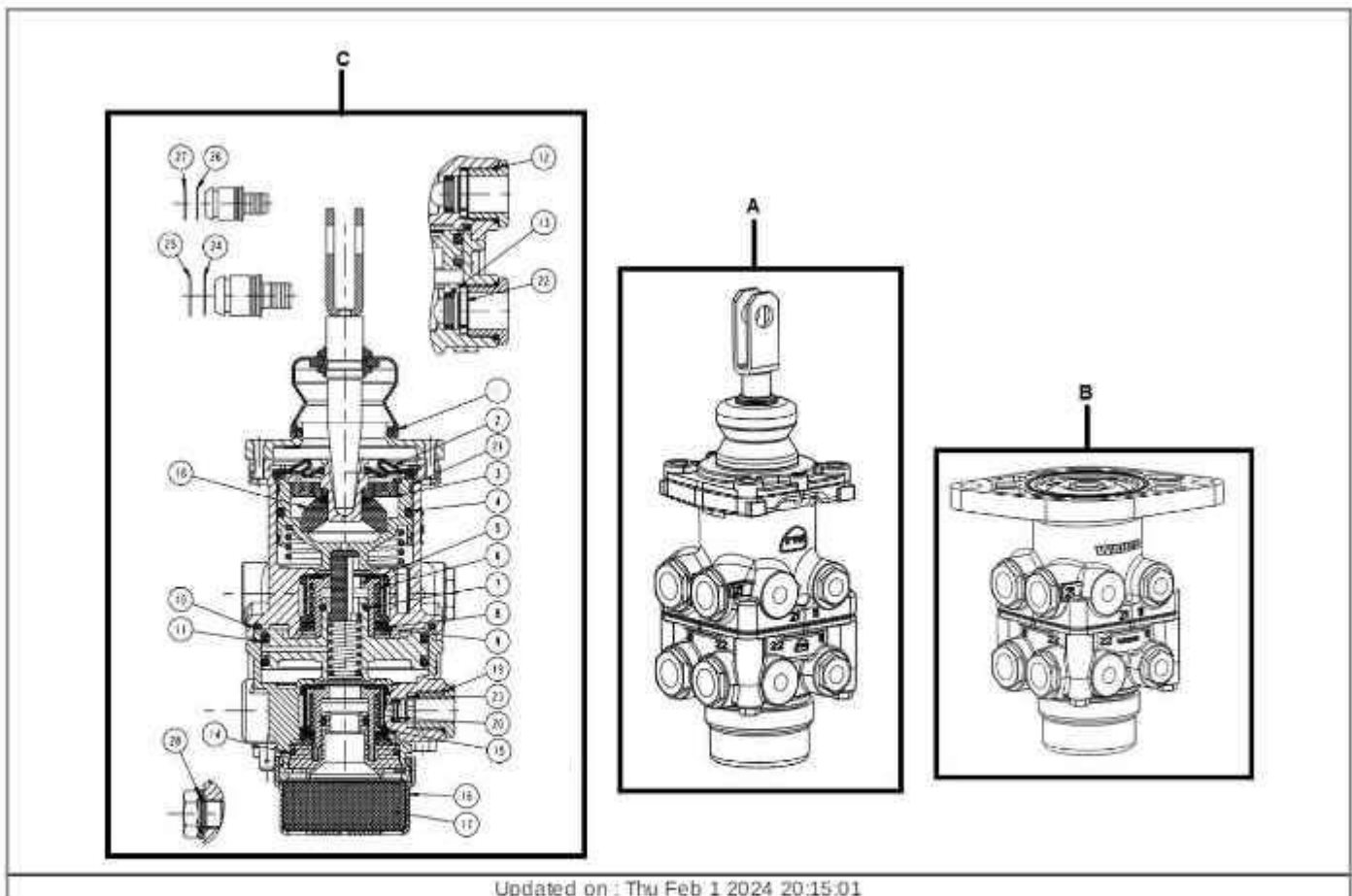
Fig.	Part No	Part Description	Qty	Remarks
12	-	COMPRESSION SPRING	1	Serviced Under Kit
-	288029300105	KIT-PEDAL LEVERS (MAJOR)	1	
-	-	consist of-		
13	-	GASKET	1	Serviced Under Kit
14	-	SPRING	2	Serviced Under Kit
15	-	BRAKE CAM ASSY	1	Serviced Under Kit
16	-	BRAKE CAM ASSY	1	Serviced Under Kit
17	-	BOOT-DBV	1	Serviced Under Kit
18	-	PEDAL STOPPER	3	Serviced Under Kit
19	-	BEARING	1	Serviced Under Kit
20	-	SPLIT PIN	2	Serviced Under Kit
21	-	PIN	2	Serviced Under Kit
22	-	HYDRAULIC CONNECTOR ASSY	1	Serviced Under Kit
23	-	TANK ASSY	1	Serviced Under Kit
24	-	CLUTCH ASSY	1	Serviced Under Kit
25	-	PEDAL COVER	2	Serviced Under Kit
26	-	PLAIN BEARING	4	Serviced Under Kit
27	288029100105	CLUTCH PEDAL ASSY	1	
28	288029200103	BRAKE PEDAL ASSY	1	
29	288029300107	CLUTCH MASTER CYLINDER ASSY	1	
30	288043700251	DUAL BRAKE VALVE TWO BOLT MTG BS3/4	1	
31	288054509901	CLUTCH SWITCH	1	
32	288054509902	BRAKE SWITCH	1	
-	-	KIT-PEDAL LEVERS (MINOR)	1	



Updated on : Thu Feb 1 2024 20:15:01

VC No : 50420552000R Group : (29) CONTROLS Table : (5042016429R.04-DUAL BRAKE VALVE AND REPAIR KIT.)

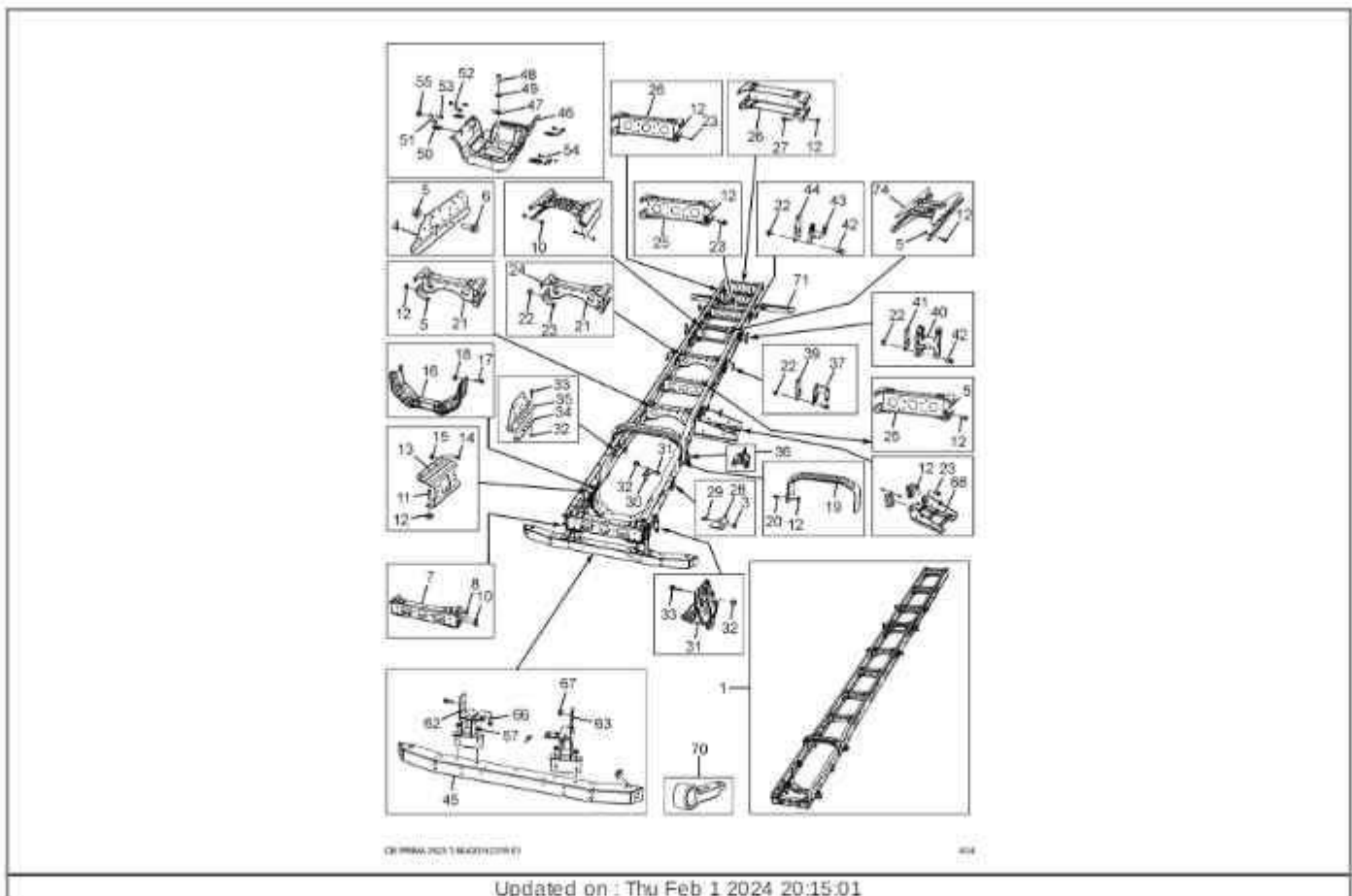
Fig.	Part No	Part Description	Qty	Remarks
A	288043700102	DUAL BRAKE VALVE	1	For Vehicle Fitted with Import
B	288043700251	DUAL BRAKE VALVE TWO BOLT MTG BS3/4	1	For Vehicle Fitted with Indige
C	264143700159	REPAIR KIT-DUAL BRAKE VALVE BS2/3/4		Common for both Imported & Ind
-	-----	Consist of		
1	-	BOOT	1	
2	-	BOOT	1	
3	-	SPRING SEAT	1	
4	-	SEALING RING	1	
5	-	VALVE	2	
6	-	SPRING SEAT	2	
7	-	SEALING RING	2	
8	-	SEALING RING	2	
9	-	SEALING RING	2	
10	-	SEALING RING	1	
11	-	SEALING RING	2	
12	-	SEALING RING NG-12	4	
13	-	SPRING ELEMENT NG-12	4	
14	-	SEALING RING	1	
15	-	FILTER	2	
16	-	BOTTOM COVER	1	
17	-	MESH	1	
18	-	RUBBER SPRING	1	
19	-	SEALING RING NG-8	2	
20	-	SPRING ELEMENT NG-8	2	
21	-	GUIDE RING	2	



Updated on : Thu Feb 1 2024 20:15:01

VC No : 50420552000R Group : (31) FRAME Table : (5042015231R.01-FRAME)

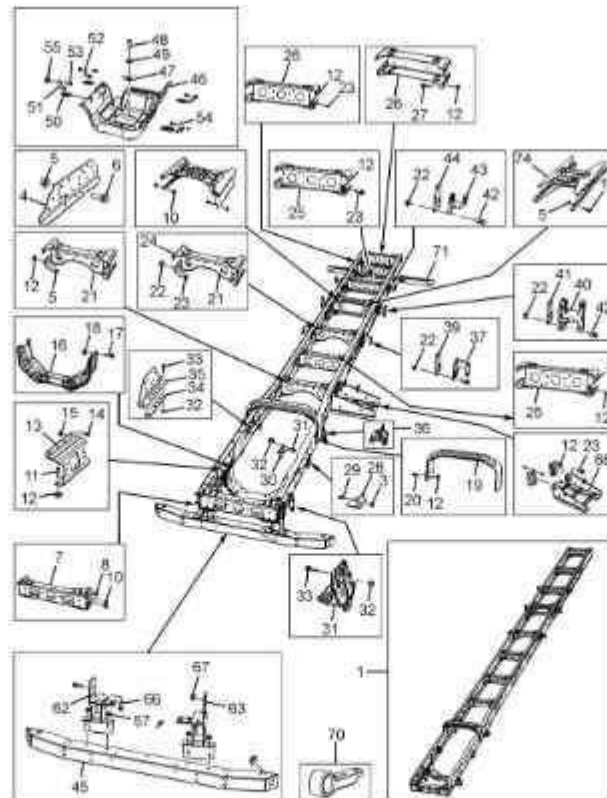
Fig.	Part No	Part Description	Qty	Remarks
1	504231000101	ASSY. FRAME PRIMA 2523 BS3	1	
-	11071612351	FL BOLT M12X1.5X35 TS17130 8.8 SS8451-8C	8	
3	12301501216	HEX FL NUT AM12X1.5 TS17430-8-SS8451-8C	8	
4	504231107108	REINF-FRNT SUSP RR-INNER LH	1	
4	504231107112	REINF-FRNT SUSP RR-INNER RH	1	
5	11341614301	H/FL SCR M14X1.5X30 TS17130 8.8SS8451-8C	5	
6	11071612351	FL BOLT M12X1.5X35 TS17130 8.8 SS8451-8C	4	
7	501731200101	ASSLY 1ST CROSSMEMBER	1	
8	12051598073	HEX NUT M10 IS1364P3-8-SS8451-8C	3	
10	12301601415	HEX FL NUT AM14X1.5TS17430 10SS8451-8CH	18	
11	11341814351	FL SCR M14X1.5X35 TS17130 10.9SS8451-8CH	2	
12	12301501411	HEX FL NUT AM14X1.5 TS17430 8 SS8451-8C	2	
13	288531307125	FRONT ENG. MTG. C/M BRACKET-LH	1	
13	288531307126	FRONT ENG MTG C/M BRACKET-RH	1	
14	11341812358	FL SCR M12X1.5X35 TS17130 10.9SS8451-8CH	6	
15	12143401209	HEX FL NUT M12X1.5 ISO 12126 10 SS8451-8	6	
16	288531200107	ASSY ENG MTG CROSS MEMBER	1	
17	11341612359	HEX FL SCREW M12X1.5X35-8.8 TS17130	12	
18	12301501216	HEX FL NUT AM12X1.5 TS17430-8-SS8451-8C	8	
19	288031200102	ASSY CROSS MEMBER CAB REAR	1	
20	-	FL BOLT M14X1.5X35 TS17130 8.8 SS8451-8C	5	Not Serviceable
21	288031207106	CROSS MEMBER PROP SHAFT - PP SHAFT	2	
22	12052396067	HEX NUT M16X1.5 IS13722-10-SS8451-8CH	12	
23	11341614351	H/FL SCR M14X1.5X35 TS17130 8.8SS8451-8C	8	
24	504231107107	REINFORCEMENT - RR AXLE CTR CM	2	



Updated on : Thu Feb 1 2024 20:15:01

VC No : 50420552000R Group : (31) FRAME Table : (5042015231R.01-FRAME)

Fig.	Part No	Part Description	Qty	Remarks
25	500331207103	CROSS MEMBER - C TYPE	2	
26	500331200104	ASSY CROSS MBR END	1	
27	11071814400	FL BOLT M14X1.5X40TS17130 10.9SS8451-8CH	6	
28	288531700109	ASSY FRT BUMP BKT.	2	
29	11071612408	FL BOLT M12X1.5X40 TS17130 8.8 SS8451-8C	4	
30	288531707111	STFNR B/RUB FRT	2	
31	288532103303	BRACKET FRT SPRING FRT	2	
32	12052301406	HEX NUT M14X1.5 IS13722-10-SS8451-8CH	1	
33	11064114451	HEXBOLT M14X1.5X45IS13726-10.9SS8451-8CH	19	
34	504231707101	SPACER-FRNT SUSP FRNT REINF	2	
35	504331100117	L REINF	2	
36	288532103305	BRKT - FRT SPRING REAR LH	1	
36	288532103306	BRKT - FRT SPRING REAR RH	1	
37	278232403304	REAR SPRING BRACKET (FRONT)	2	
39	504232403301	SPACER PLATE REAR RFD	2	
40	278232403302	REAR SPRING BRACKET (CENTRE)	2	
41	504232403302	SPACER PLATE REAR RMD	2	
42	504231703201	HEX BOLT	12	
43	278232403303	REAR SPRING BRACKET (REAR)	2	
44	504232403303	SPACER PLATE REAR RWD	2	
45	-----	FRONT MEMBER	1	
46	288531700107	ASSY FOR SHIELD UNDER ENGINE & FLAP.	1	
47	288031707705	FLAP	1	
48	11405605203	CR PAN HD SCREW M5X20 IS7483-SS8451-8C	1	
49	12650600531	WASHER A5.3 IS5370 ST SS8451-8C	1	



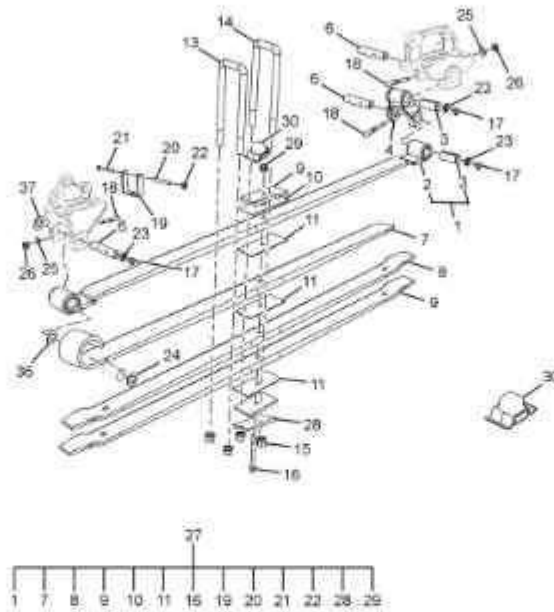
CR PRIMA Lx 2522 T TC ISBe5.9 BS3 52WB REAR STD SUSP.

414

Updated on : Thu Feb 1 2024 20:15:01

VC No : 50420552000R Group : (32) SUSPENSION Table : (5042015232R.03-FRONT LEAF SPRING)

Fig.	Part No	Part Description	Qty	Remarks
1	501932100103	ASSY. FIRST LEAF W/BUSH BS3/4	1	
2	501932107101	FIRST LEAF	1	
3	288532103403	BUSH	4	
4	288532100103	SHACKLE ASSY	2	
6	500632106701	PIN SPRING MOUNTING	6	
7	501932107102	SECOND LEAF	2	
8	501932107103	THIRD LEAF	2	
9	501932107104	FOURTH LEAF	2	
10	500432108602	CENTER LINER	2	
11	500432108604	CENTER LINER	10	
13	504232104201	U-BOLTM22X15X260	2	
14	504232104202	U-BOLTM22X15X245	2	
15	500632106501	FLANGE NUT (U BOLT FRT. SPRING)	8	
16	288032103201	CENTER BOLT M16X1.5X170	2	
17	-	GREASE NIPPLE (90 DEG.)	6	NOT SERVICED
18	04299000373	COTTER PIN BS1/2/3/4/6	6	
19	500432104201	SPRING CLIP	4	
20	500432108603	SPECER TUBE	2	
21	11064010702	HEX BOLT M10X120 IS1364P1-10.9SS8451-8CH	4	
22	500432106501	HEX.NUT M10X1.5(SELF LOCKING TYPE)	2	
23	12080996053	HEX THIN NUT M10X1 IS13724-05-SS8451-8C	6	
24	288532109001	WASHER SPRING PIN	12	
25	12460501057	BRIGHT WASHER 10.5 IS2016 ST SS8451-8C	6	
26	288532106506	HEX. FL NUT M10X1.5	6	
27	-	ASSY 4-LEAF PARABOLIC FRONT SPRING	2	Not serviced



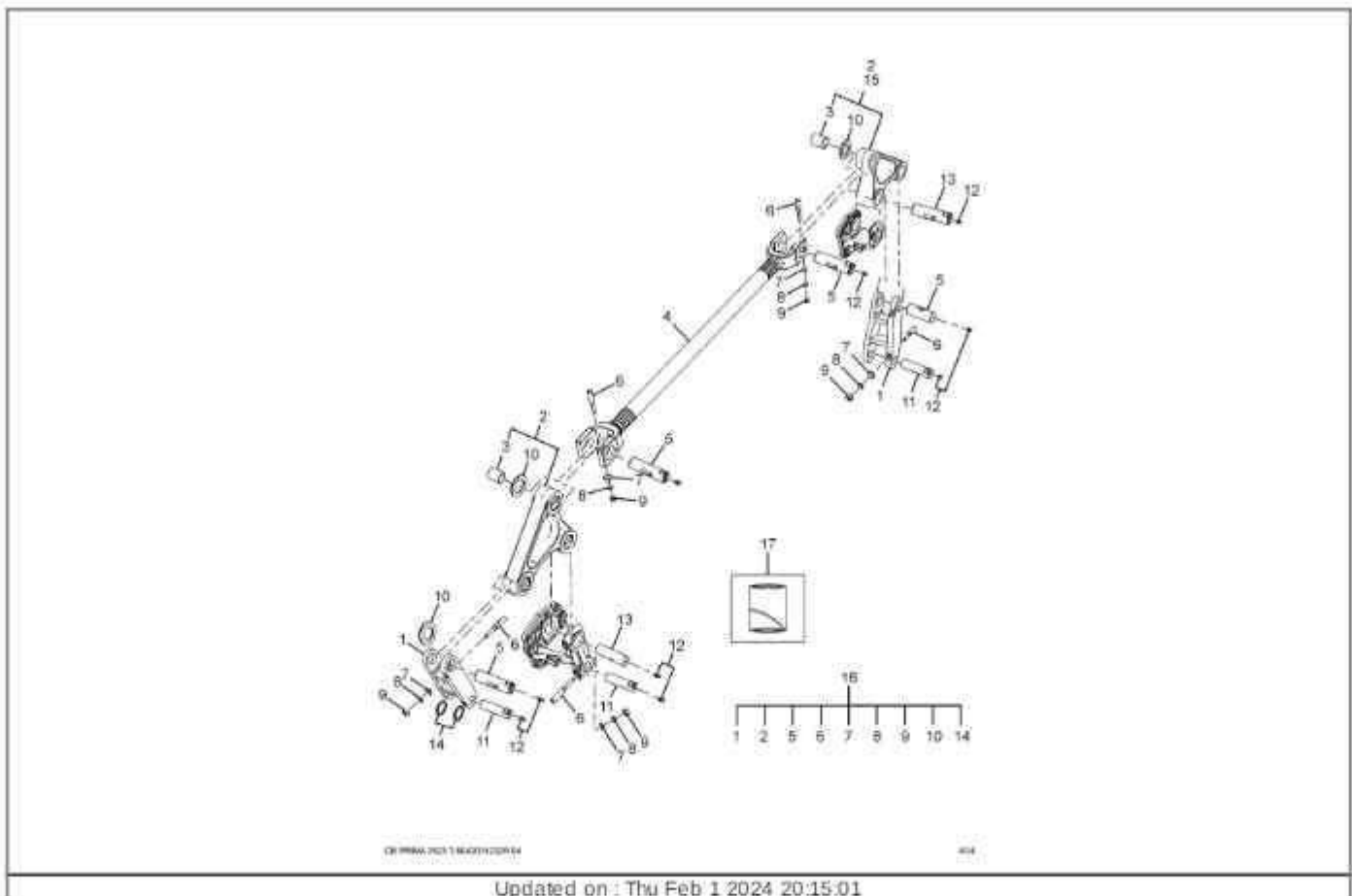
03/PP94-2017-04/01/02/03/05

01/1

Updated on : Thu Feb 1 2024 20:15:01

VC No : 50420552000R Group : (32) SUSPENSION Table : (5042015232R.04-LINK ROD AND BELL CRANK LEVER)

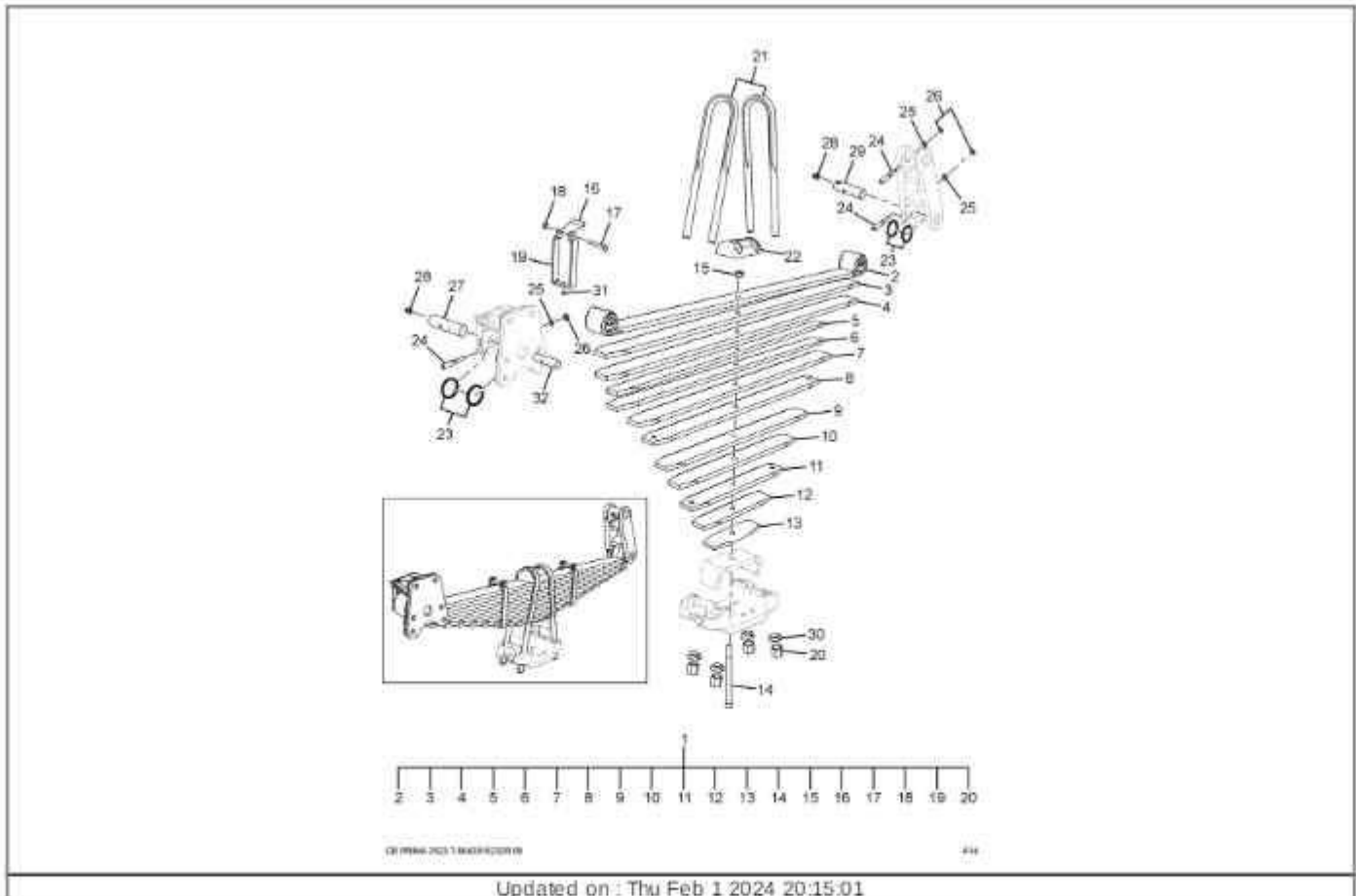
Fig.	Part No	Part Description	Qty	Remarks
1	278232400118	ASSY. SHACKLE COMP. REAR BS1/2/3/4	4	
2	261732400103	ASSY. LEVER BS1/2/3/4	4	
3	261732403402	BUSH	8	
4	261732400102	ASSY. LINK ROD BS1/2/3/4	2	
5	261732406702	PIN BS1/2/3/4/6	8	
6	0429900037J	COTTER PIN BS1/2/3/4/6	8	
7	12460501057	BRIGHT WASHER 10.5 IS2016 ST SS8451-8C	8	
8	12520698050	SPRING WASHER B10 IS3063 SS8451-8C	8	
9	12051598073	HEX NUT M10 IS1364P3-8-SS8451-8C	8	
10	261732400109	ASSY. SEALING RING (REAR SPRING)	16	
11	278232406703	SPRING PIN	6	
12	17170601009	GREASE NIPPLE AM10X1 IS4009P2 SS8451-8C	18	
13	261732406701	LEVER PIN BS1/2/3/4	4	
13	278232406702	PIN	4	
14	261832400101	ASSY SEALING RING (REAR SPRING)	8	
15	261732400103	ASSY. LEVER BS1/2/3/4	4	
16	278232400133	KIT-BELL CRANK LEVER LINK ROD SHACKLE.	1	
-	885432012516	SET-BUSH BELL CRANK BS1/2/3/4	1	
	-----	CONSIST OF:-		
17	-	BUSH (57 L) BELL CRANK LEVER	8	
17	-	BUSH (77 L) BELL CRANK LEVER	4	



Updated on : Thu Feb 1 2024 20:15:01

VC No : 50420552000R Group : (32) SUSPENSION Table : (5042015232R.05-REAR LEAF SPRING)

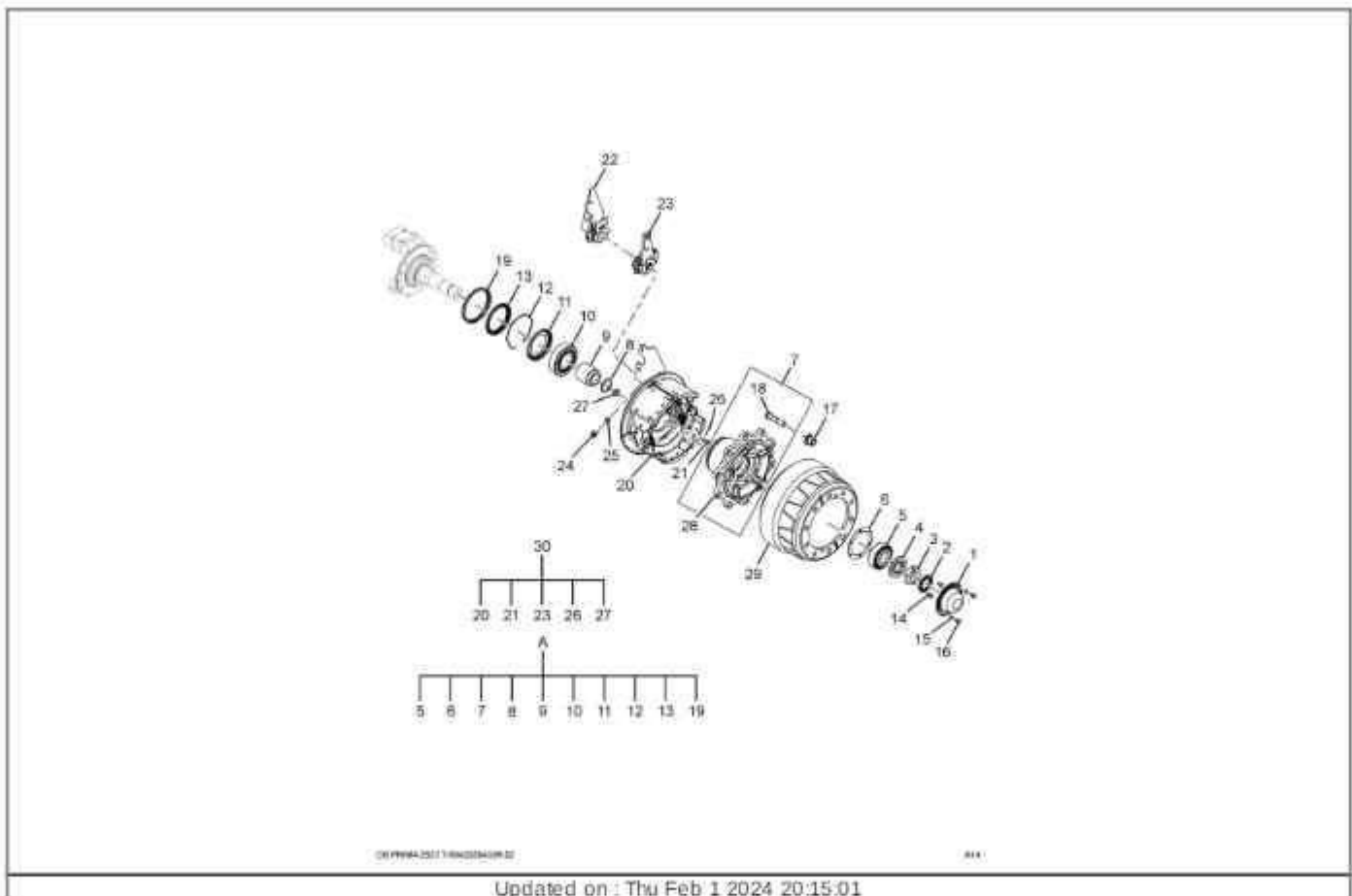
Fig.	Part No	Part Description	Qty	Remarks
1	278232400114	ASSY. REAR SPRING BS1/2/3/4/6	4	
2	278232400115	ASSY. FIRST LEAF BS1/2/3/4	8	
3	278232407156	SECOND LEAF	4	
4	278232407157	THIRD LEAF	4	
5	278232407158	FOURTH LEAF	4	
6	278232407159	FIFTH LEAF	4	
7	278232407160	SIXTH LEAF	4	
8	278232407161	SEVENTH LEAF	4	
9	278232407162	EIGHTH LEAF	4	
10	278232407163	NINTH LEAF	4	
11	278232407164	TENTH LEAF	4	
12	278232407165	ELEVENTH LEAF	4	
13	278232407166	TWELVETH LEAF	4	
14	278232403203	CENTRE BOLT	4	
15	12051596020	HEX NUT M16 IS1364P3-8-SS8451-8C	4	
16	263232408604	SPACER (LEAF SPRING CLIP)	8	
17	11063896171	HEX BOLT M10X75 IS1364P1-8.8 SS8451-8C	8	
18	12051598073	HEX NUT M10 IS1364P3-8-SS8451-8C	8	
19	276832404203	SPRING CLIP	8	
19	278232404215	SPRING CLIP	8	
20	263232506501	NUT	8	
21	278232404210	U CLAMP	4	REAR FRONT
21	278232404208	U CLAMP (TABLE DRG.)	4	REAR REAR
22	278232503702	GUIDE PLATE (CASTING)	4	
23	261832400101	ASSY SEALING RING (REAR SPRING)	16	



Updated on : Thu Feb 1 2024 20:15:01

VC No : 50420552000R Group : (33) FRONT AXLE Table : (5042026433R.02-FRONT AXLE)

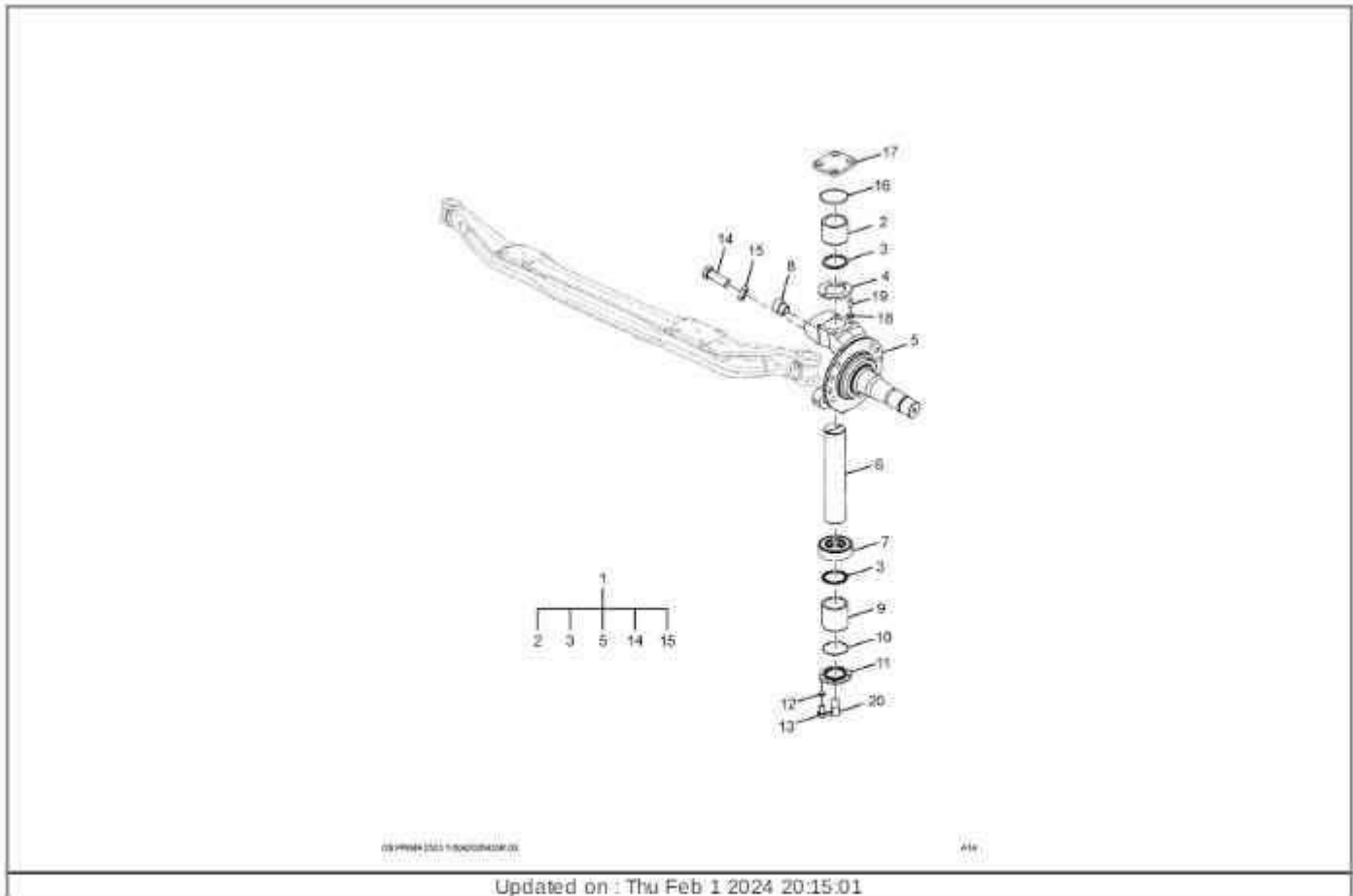
Fig.	Part No	Part Description	Qty	Remarks
A	288533400102	ASSY WHEEL HUB FRONT COMPLETE	2	
1	288533408201	HUB CAP FRONT	2	
2	288533409202	LOCK WASHER BRG.NUT	2	
3	288533406501	NUT BRG.FRONT HUB	2	
4	288533409201	LOCK WASHER BRG.HUB	2	
5	-----	CONE HUB BEARING OUTER	2	
6	288533405301	PACKING HUB CAP	2	
7	502233400102	ASSY WHEEL HUB COMP.W/O POLE WHEEL	2	
8	288533408301	SHIMS FRONT HUB	2	
8	288533408302	SHIMS FRONT HUB	2	
8	288533408303	SHIMS FRONT HUB	2	
8	288533408304	SHIMS FRONT HUB	2	
8	288533408305	SHIMS FRONT HUB	2	
8	288533408307	SHIMS FRONT HUB	2	
8	288533408308	SHIMS FRONT HUB	2	
9	288533408601	SPACER TUBE FRONT HUB	2	
10	-----	CONE HUB BEARING INNER	2	
11	288533407801	COVER HUB BRG.INNER	2	
12	288533404301	SNAP RING	2	
13	288533407802	OIL SEAL FRONT WHEEL HUB BS2/3/4	2	
14	11323998151	HEX SCREW M6X18 IS1364P2-8.8-SS8451-8C	4	
15	12520698025	SPRING WASHER B8 IS3063 SS8451-8C	12	
16	11324508181	HEX SCREW M8X18 IS1364P2-8.8-SS8451S2-Y	12	
17	263140100107	ASSY. WHEEL NUT M22 X 30LONG BS1/2/3/4	20	
18	263140106701	HUB BOLT FRONT M22 BS1/2/3/4/6	20	



Updated on : Thu Feb 1 2024 20:15:01

VC No : 50420552000R Group : (33) FRONT AXLE Table : (5042026433R.03-FRONT AXLE)

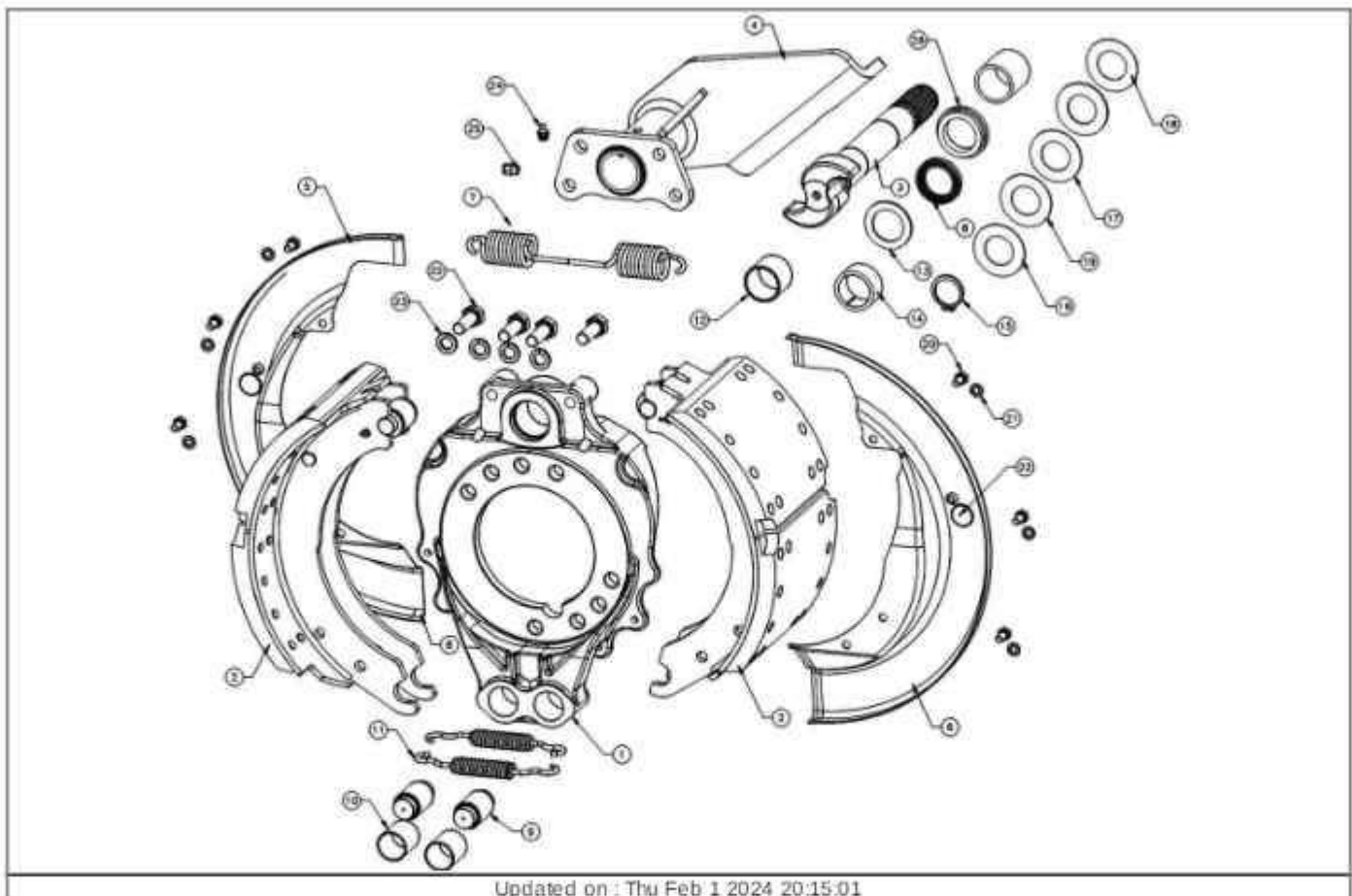
Fig.	Part No	Part Description	Qty	Remarks
1	288533200101	ASSY STUB AXLE LH	1	
1	288533200102	ASSY STUB AXLE RH	1	
2	288533203406	BUSH KING PIN 50 UPR-I BS2/3/4	2	
3	288533207801	OIL SEAL KING PIN	2	
4	288533209201	THRUST WASHER KNUCKLE	1	FOR SELECTION
4	288533209202	THRUST WASHER	1	FOR SELECTION
4	288533209203	THRUST WASHER	1	FOR SELECTION
4	288533209204	THRUST WASHER	1	FOR SELECTION
4	288533209205	THRUST WASHER	1	FOR SELECTION
4	288533209206	THRUST WASHER	1	FOR SELECTION
4	288533209207	THRUST WASHER	1	FOR SELECTION
4	288533209208	THRUST WASHER	1	FOR SELECTION
5	503933200103	ASSY STUB AXLE LH W/O ABS	1	
5	503933200104	ASSY STUB AXLE RH W/O ABS	1	
6	288533206701	KING PIN BS 2/3/4	2	
7	288533203101	KING PIN THRUST BEARING BS2/3/4	2	
8	288042103401	SENSOR SLEEVE FOR ABS	2	
9	288533203407	BUSH KING PIN 62 LWR	2	
10	288533207702	O-RING LWR KP COVER	2	
11	288533207102	COVER KING PIN LWR	2	
12	12520698017	SPRING WASHER B6 IS3063 SS8451-8C	8	
13	11323998169	HEX SCREW M6X20 IS1364P2 8.8 SS8451-8C	8	
14	11324016459	HEX SCR M16X1.5X45IS13725-8.8 SS8451-8C	2	
15	288533206503	LOCK NUT	2	
16	288533207701	O-RING KING PIN UPR	2	



Updated on : Thu Feb 1 2024 20:15:01

VC No : 50420552000R Group : (33) FRONT AXLE Table : (5042026433R.05-FRONT AXLE BRAKE COMPONENTS)

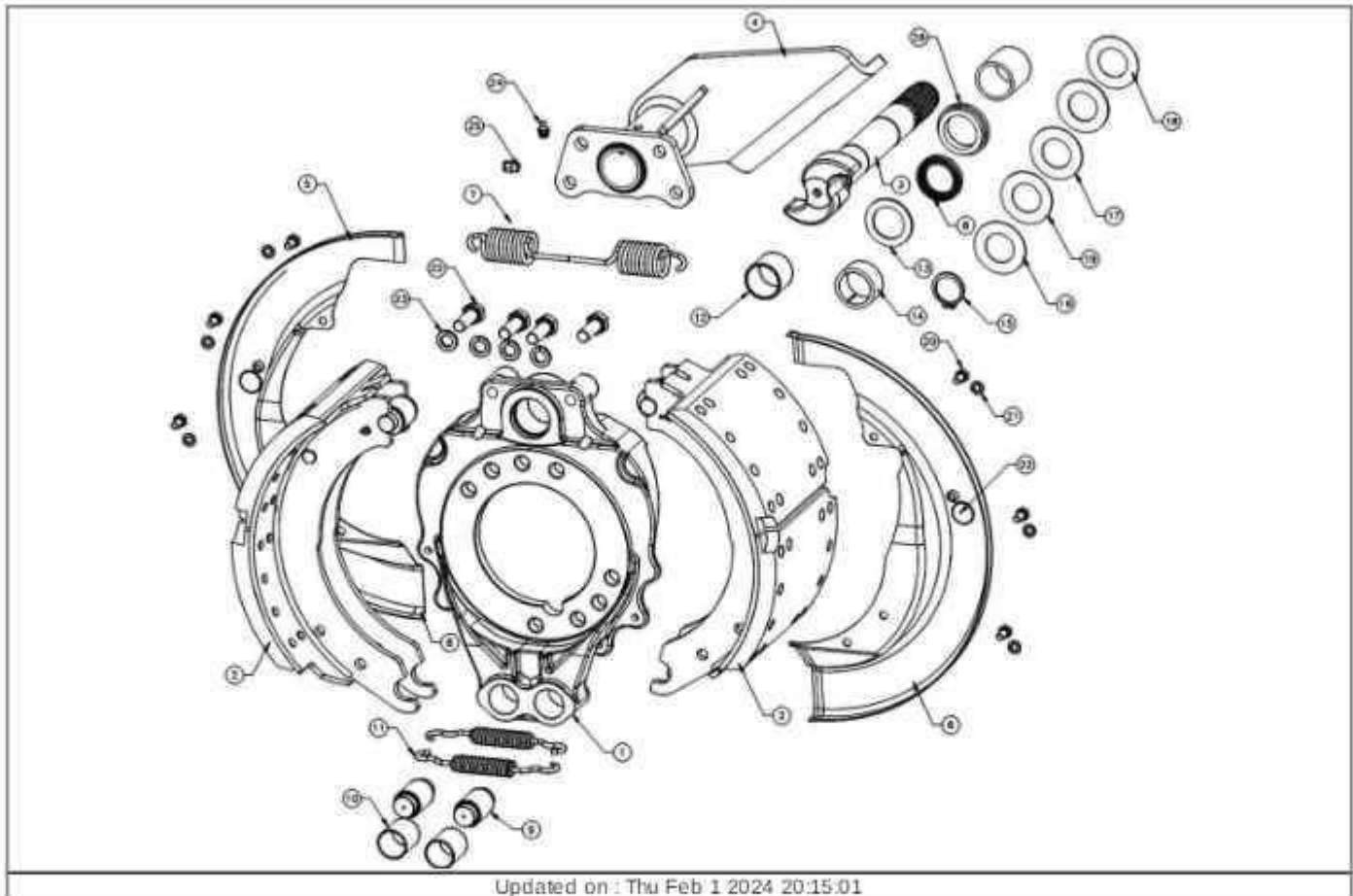
Fig.	Part No	Part Description	Qty	Remarks
-	503942100105	DRUM BRAKE ASSY WITH DUST COVER LH	1	
-	503942100106	DRUM BRAKE ASSY WITH DUST COVER RH	1	
-	-	KIT TORQUE PLATE LH/RH		
1	504042109901	BRAKE ASSY KIT-TORQUE PLATE-LH	1	
1	504042109902	BRAKE ASSY KIT-TORQUE PLATE-RH	1	
12	504042103401	BUSH CAM END	2	
8	288042107801	OIL SEAL	2	
10	288042103402	BUSH ABUTMENT (FULCRUM)	4	
-	-----	KIT BRACKET ASSY, LH/RH		
4	503942109901	KIT -BRACKET ASSY,LH,FOR 25 DEG BRACKET	1	
4	503942109902	KIT -BRACKET ASSY,RH,FOR 25 DEG BRACKET	1	
14	257342303404	BUSH- BRACKET END	2	
8	288042107801	OIL SEAL	2	
24	288042109902	GREASE NIPPLE	2	
25	288042109901	RELIEF VALVE	2	
23	288042109203	WASHER B14	8	
22	257342113210	MOUNTING BOLT M14	8	
-	-----	KIT-BUSH		
12	504042103401	BUSH CAM END	2	
10	288042103402	BUSH ABUTMENT (FULCRUM)	4	
8	288042107801	OIL SEAL	4	
13	288042108601	SPACER FOR FRONT BRAKE	2	
-	-	WASHER	2	NOT SERVICED
14	257342303404	BUSH- BRACKET END	2	
26	288042108401	SLEEVE-DELTRIN	2	



Updated on : Thu Feb 1 2024 20:15:01

VC No : 50420552000R Group : (33) FRONT AXLE Table : (5042026433R.05-FRONT AXLE BRAKE COMPONENTS)

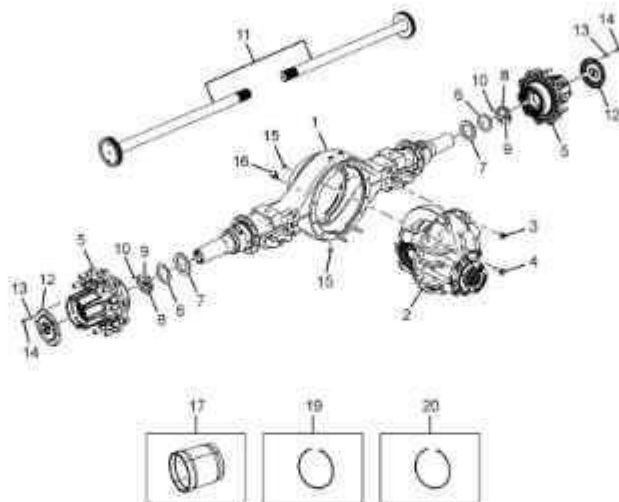
Fig.	Part No	Part Description	Qty	Remarks
15	257342104303	CIRCLIP FOR FRONT BRAKE	2	
19	288042108303	SHIM 0.3 MM FOR BRAKE ASSY	2	
16	288042108301	SHIM 0.5 MM FOR BRAKE ASSY	2	
17	288042108302	SHIM 1 MM FOR BRAKE ASSY	4	
-	288042106701	FULCRUM PIN	4	
-	-----	KIT-SPRING		
7	288042108701	SPRING CAM END	2	
11	288042108702	SPRING ABUTMENT END FOR FRONT BRK BS1- 6	4	
-	504042309909	KIT-ROLLER		
-	-----	KIT-ROLLER		
-	-	ROLLER	4	SERVICED UNDER KIT- ROLLER P/N
-	-	PLATE	8	SERVICED UNDER KIT- ROLLER P/N
-	-	SPLITE P/N	4	SERVICED UNDER KIT- ROLLER P/N
-	-----	KIT -DUST SHIELD LH/RH		
6	504042100108	SHIELD ASSY TOP LH	2	
6	504042100109	SHIELD ASSY TOP RH	2	
5	504042100115	BRAKE ASSY SHIELD BOTTOM LH	2	
5	504042100116	BRAKE ASSY SHIELD BOTTOM RH	2	
20	288042103202	SET BOLT FOR FRONT BRAKE	12	
22	504042307701	GROMMET	4	
21	287142999205	SPRING WASHER	12	
-	-----	KIT-CAM SHAFT LH/RH		
3	288042107901	CAM SHAFT LH	1	
3	288042107902	CAM SHAFT RH	1	
12	504042103401	BUSH CAM END	2	



Updated on : Thu Feb 1 2024 20:15:01

VC No : 50420552000R Group : (35) REAR AXLE Table : (2726011535R.02-REAR AXLE RA 110)

Fig.	Part No	Part Description	Qty	Remarks
1	272635100108	ASSY R.AXLE BEAM WITH PR.RINGSTUDS	1	
2	272635110110	ASSY CARRIER & PINION HSG COMP.41/8T150	1	
3	12301601601	H/FL NUT AM16 TS17430 10 SS8451-8CH	4	
4	11071916458	HEX FL BOLT M16X45TS17130 12.9SS8451-8CH	8	
5	273235600103	ASSY. REAR HUB (W/O BRG/SEAL) BS1/2/3/4/6	2	
6	266835608604	TONGUE SPACER (HUB OUTER BEARING)	2	
7	266835608602	SPACER	2	
8	266835606501	HUB LOCK NUT	2	
9	266835608001	PIN (HUB LOCK NUT)	2	
10	12140500800	NYLOC NUT M8 IS7002-8-SS8451-8C	2	
11	272635707902	REAR AXLE SHAFT BS3/4/6	2	
12	266835600105	ASSY HUB COVER (BIGGER HUB)	2	NOT SERVICED
13	12520698025	SPRING WASHER B8 IS3063 SS8451-8C	16	
14	11324508181	HEX SCREW M8X18 IS1364P2-8.8-SS8451S2-Y	16	
15	266335107207	MAGNETIC DRAIN PLUG BS1/2/3/4	2	
16	257433150102	ASSY BREATHER	1	
17	266835608603	SPACER TUBE (BETWEEN HUB BRGS.)	2	
-	266835608306	SHIM-0.30	AR	FOR SELECTION
-	266835608308	SHIM-1.0 THK	AR	FOR SELECTION
-	266835608305	SHIM-0.25 THK	AR	FOR SELECTION
-	266835608302	SHIM-0.10 THK	AR	FOR SELECTION
-	266835608309	SHIM-1.5 THK	AR	FOR SELECTION
-	266835608307	SHIM-0.5 THK	AR	FOR SELECTION
-	266835608303	SHIM-0.15 THK	AR	FOR SELECTION
-	266835608304	SHIM-0.20 THK	AR	FOR SELECTION



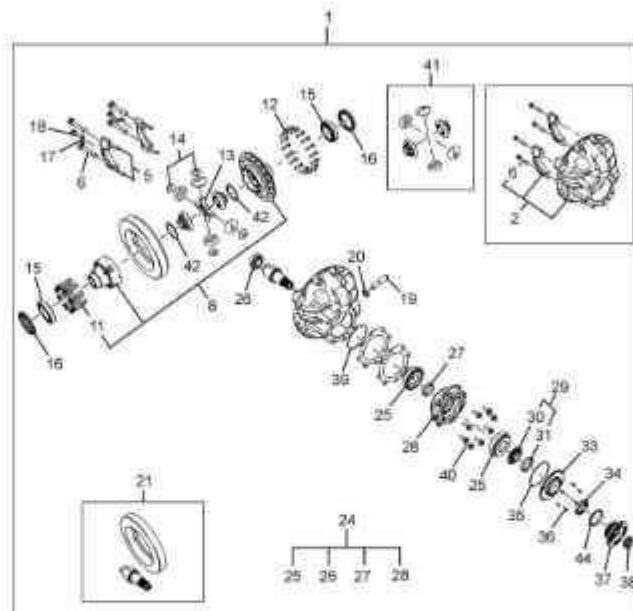
35 PRIMA 2517 02011535R.02

RA1

Updated on : Thu Feb 1 2024 20:15:01

VC No : 50420552000R Group : (35) REAR AXLE Table : (2726011535R.04-CARRIER AND PINION HOUSING)

Fig.	Part No	Part Description	Qty	Remarks
1	272635110110	ASSY CARRIER & PINION HSG COMP41/8T150	1	
2	272635110105	ASSY. CARRIER HSG.W/ PLMR BLOCK BS3/4/6	1	
5	13050909209	CYL PIN 10H8X20 IS2393	4	
6	273235113201	HEX.BOLT (PLUMMER BLOCK COVER)	4	
8	272635300113	ASSY. DIFF. HOUSING (9X14 GEARS) BS3/4/6	1	
11	273235308002	HEX.BOLT-SERRATED (DIFF.CASE TO COVER)	16	
12	273235308003	HEX.BOLT-SERRATED (CROWN WHEEL)	18	
13	273235305113	DIFF. SPIDER(LOCKABLE SPH WASHER) BS1-4	1	
14	273235309217	SPHERICAL WASHER BS1/2/3/4	4	
15	272635303103	TAPER ROLLER BRG.(100X155X36) BS3/4	2	
16	272635306503	THREADED RING(M160X1.5) BS3/4/6	2	
17	257635308201	LOCKING PLATE	2	
18	11323996191	HEX SCREW M8X12 IS1364P2-B.B-SS8451-8C	2	
19	273235300117	ASSY ADJUSTING PIN	1	
20	12080903004	HEX THIN NUT M30X2 IS13724 05 SS8451-8C	1	
21	272635300124	ASSY CROWN WHEEL-PINION41/8LHSPIRAC	1	
24	-	ASSY PINION HOUSING(41/8)T150	1	
25	257635303102	TAPER ROLLER BRG 77213 BS1/2/3/4	2	
26	257635303104	CYL. ROLLER BRG NS1909 RA 109RR BS1-4	1	
27	272635308617	SPACER B/W PINION BEARING(18.475 THK.)FOR PRELOAD	1	FOR SELECTION
27	272635308618	SPACER B/W PINION BEARING(18.500 THK.)FOR PRELOAD	1	FOR SELECTION
27	272635308619	SPACER B/W PINION BEARING (18.575 THK.)FOR PRELOA	1	FOR SELECTION
27	272635308620	SPACER B/W PINION BEARING(18.550 THK.)FOR PRELOAD	1	FOR SELECTION
27	272635308621	SPACER B/W PINION BEARING(18.575 THK.)FOR PRELOAD	1	FOR SELECTION
27	272635308622	SPACER B/W PINION BEARING(18.600 THK.)FOR PRELOAD	1	FOR SELECTION



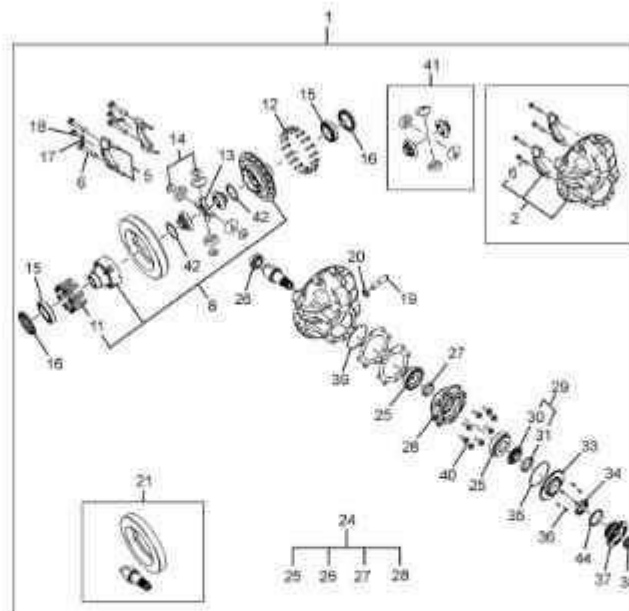
© PRIMA 2017 07/2015/09/04

414

Updated on : Thu Feb 1 2024 20:15:01

VC No : 50420552000R Group : (35) REAR AXLE Table : (2726011535R.04 -CARRIER AND PINION HOUSING)

Fig.	Part No	Part Description	Qty	Remarks
27	272635308623	SPACER B/W PINION BEARING(18.625 THK.)FOR PRELOAD	1	FOR SELECTION
27	272635308624	SPACER B/W PINION BEARING(18.650 THK.)FOR PRELOAD	1	FOR SELECTION
27	272635308625	SPACER B/W PINION BEARING(18.675 THK.)FOR PRELOAD	1	FOR SELECTION
27	272635308626	SPACER B/W PINION BEARING(18.700 THK.)FOR PRELOAD	1	FOR SELECTION
27	272635308627	SPACER B/W PINION BEARING(18.725 THK.)FOR PRELOAD	1	FOR SELECTION
27	272635308628	SPACER B/W PINION BEARING(18.750 THK.)FOR PRELOAD	1	FOR SELECTION
27	272635308629	SPACER B/W PINION BEARING(18.775 THK.)FOR PRELOAD	1	FOR SELECTION
27	272635308630	SPACER B/W PINION BEARING(18.800 THK.)FOR PRELOAD	1	FOR SELECTION
27	272635308631	SPACER B/W PINION BEARING(18.825 THK.)FOR PRELOAD	1	FOR SELECTION
27	272635308632	SPACER B/W PINION BEARING(18.850 THK.)FOR PRELOAD	1	FOR SELECTION
27	272635308633	SPACER B/W PINION BEARING(18.875 THK.)FOR PRELOAD	1	FOR SELECTION
28	272635303702	PINION HOUSING BS3/4/6	1	
29	273235300188	ASSY SPACER WITH OIL SLINGER (PRESS TYPEN	1	
30	273235300188	SPACER BET.PINION BRG & C.FLNG(OIL SLIN)N	1	SERVICEABLE UNDER P/N 2732353
31	273235308202	OIL SLINGER (PRESS TYPE)	1	SERVICEABLE UNDER P/N 2732353
33	272635303703	OIL SEAL HOUSING	1	
34	257335307705	OIL SEAL BS1/2/3/4	1	
35	17050502562	O-RING 145.64X3.53 TS16220	1	
36	11324508181	HEX SCREW M8X18 IS1364P2-8.8-SS8451S2-Y	6	
37	273235300214	ASSY COUP FLANGE-150 DIA. SERR. BS1- 4	1	
38	3273530172	HEX NUT (FORGED)	1	
39	17050502619	O-RING 171.04X3.53 TS16220	1	
40	11071916458	HEX FL BOLT M16X45TS17130 12.9SS8451-8CH	8	
41	273235300215	KIT-DIFFERENTIAL GEAR BS1/2/3/4	1	
42	273235309216	THRUST WASHER- 2.25 THK.	2	FOR SELECTION



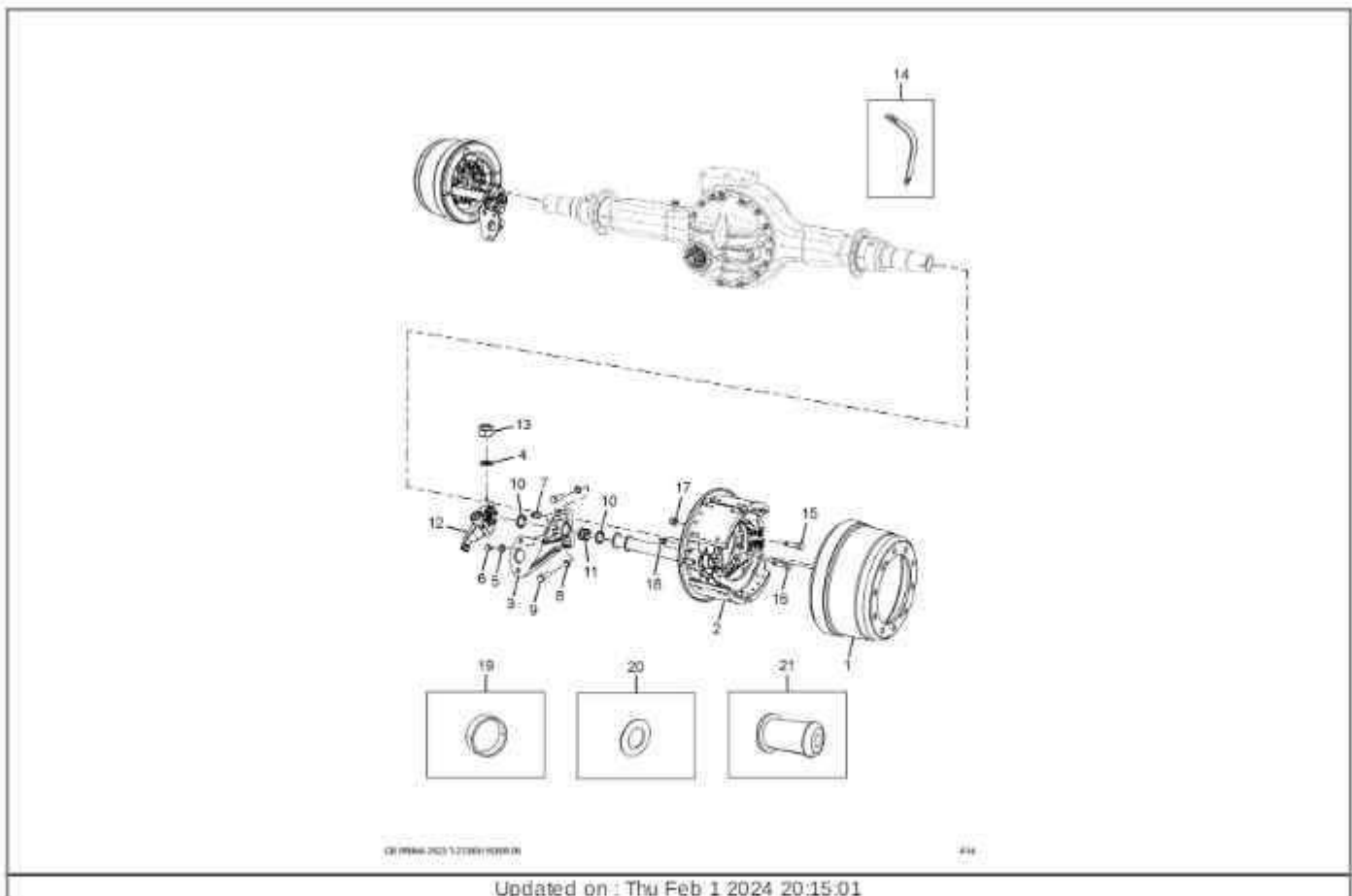
© PRIMA 2017 07/2015/09/04

414

Updated on : Thu Feb 1 2024 20:15:01

VC No : 50420552000R Group : (35) REAR AXLE Table : (2726011535R.06-REAR BRAKE ASSY)

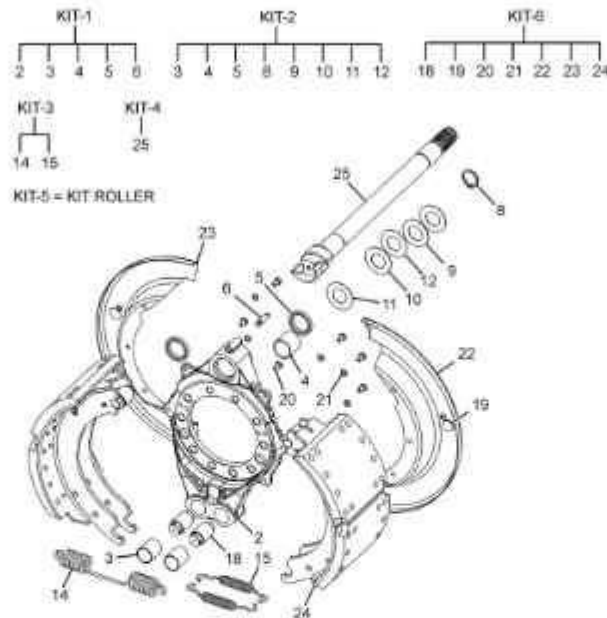
Fig.	Part No	Part Description	Qty	Remarks
1	263142103701	BRAKE DRUM SPIGOTTED, BS1/2/3/4	4	
2	504042300110	ASSY REAR BRAKE WITH D/C LH M/S BIL	1	
2	504042300111	ASSY REAR BRAKE WITH D/C RH M/S BIL	1	
3	263242303732	CHAMBER MTG. BKT - LH FOR MERITOR BRAKE	1	
3	263242303733	CHAMBER MTG. BKT - RH FOR MERITOR BRAKE	1	
5	-	SPRING WASHER B12 IS3063 CD PLATED	4	NOT SERVICED
6	11324196139	HEX SCREW M12X35IS1364P2-10.9 SS8451-8CH	2	
7	257441109902	GREASE NIPPLE AM8X1 IS4009P2 SS8451-8C	4	
8	12520696031	SPRING WASHER B16 IS3063 SS8451-8C	4	
9	11063996078	HEXBOLT M16X1.5X50IS13726 -8.8, SS8451-8C	1	
10	278242307802	GREASE SEAL(BRAKE CHAMBER MTG.BRACKET)	4	
11	503042303408	BUSH-S-CAM SHAFTMERITOR BRAKE	1	
12	12520698025	SPRING WASHER B8 IS3063-SS8451-8C	2	
13	12140500800	NYLOC NUT M8 IS7002-8-SS8451-8C	2	
14	263242303711	ANCHOR BRACKET FOR ASA RH	1	
14	263242303710	ANCHOR BRACKET FOR ASA LH	1	
15	289242303201	HEX BOLT M16X1.5	32	
16	289242303202	HEX BOLT M14X1.5	8	
17	12302696053	H/NUT W/COLLAR M16X1.5IS7795-10SS845-8CH	32	
18	288042306501	HEX NUT W/COLLAR M14X1.5 FOR REAR BRAKE MOUNTING	8	
19	277842108601	SPACER (HALDEX AUTO. ADJUSTER)	2	
20	277842108301	SHIM (AUTO. ADJUSTER)	2	
21	280842307501	RUBBER GROMMET FOR (DIA 18 ABS HOLE)	2	
21	280842307502	RUBBER GROMMET (FOR DIA 8 ABS HOLE)	2	



Updated on : Thu Feb 1 2024 20:15:01

VC No : 50420552000R Group : (35) REAR AXLE Table : (2726011535R.07-REAR BRAKE KIT S (BIL))

Fig.	Part No	Part Description	Qty	Remarks
KIT-1	504042309904	BRAKE ASSY KIT FOR TORQUE PLATE	1	
3	288042103402	BRAKE ASSY BUSH ABUTMENT (FULCRUM)	2	
5	288042107801	OIL SEAL FOR REAR BRAKE	2	
6	288042309901	BRAKE ASSY GERASE NIPPLE	1	
4	503042303405	METAL BUSH-S-CAM SHAFT,M/S.BIL	1	
2	504042303702	BRAKE ASSY TORQUE PLATE	1	
KIT-2	504042309905	SPARE KIT-BUSH	1	
10	257342108301	BRAKE ASSY SHIM -0.5MM	1	
11	257342108302	BRAKE ASSY SHIM -1.0MM	1	
12	288042308303	SHIM 0.3 MM FOR REAR BRAKE	1	
3	288042103402	BRAKE ASSY BUSH ABUTMENT (FULCRUM)	2	
8	257342104303	CIRCLIP FOR FRONT BRAKE	1	
9	288042109201	WASHER FOR FRONT BRAKE	1	
5	288042107801	OIL SEAL FOR REAR BRAKE	2	
4	503042303405	METAL BUSH-S-CAM SHAFT,M/S.BIL	1	
KIT-3	504042309906	BRAKE ASSY KIT-SPRING	1	
14	288042108701	SPRING CAM END FOR FRONT BRAKE	1	
15	288042108702	SPRING ABUTMENT END FOR FRONT BRK BS1- 6	2	
KIT-4	-	KIT-S CAM SHAFT LH.	1	Not Serviceable
25	504042307901	S CAM-SHAFT LH	1	
KIT-4	-	KIT-S CAM SHAFT RH	1	Not Serviceable
25	504042307902	S CAM-SHAFT RH	1	
KIT-5	504042309909	KIT-ROLLER	1	
-	-	BRAKE ASSY ROLLER	2	SERVICED UNDER KIT- ROLLER P/N
KIT-6	-	KIT DUST SHIELD	1	CHILD PARTS ARE SERVICEABLE



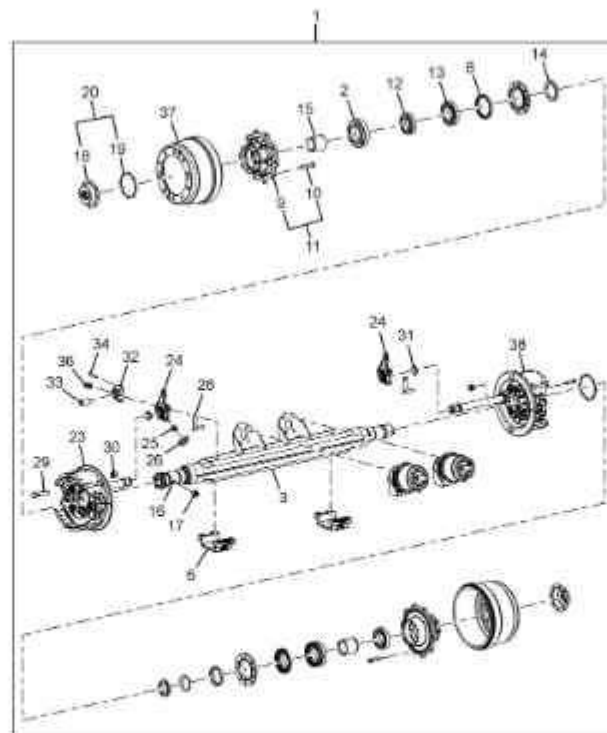
35 PRIMA 2517 0726011535R.07

414

Updated on : Thu Feb 1 2024 20:15:01

VC No : 50420552000R Group : (39) DEAD AXLE Table : (2736012539R.01-ASSY RA-909 COMP W/BRKS)

Fig.	Part No	Part Description	Qty	Remarks
1	273639000172	ASSY RA-909 COMP W/BRKS,BANJO,1026 SCD 1	1	
3	273639100192	ASSY RA BANJO BEAM M/CED1026 SCD	1	
-	273235107103	BASE PLATE	1	
8	266835108601	PRESSURE RING	2	
9	273639605508	REAR HUB	2	
10	263140206701	HUB BOLT REAR- M22 BS1/2/3/4	20	
11	273639600117	ASSY REAR HUB(W/O BRGS & OIL SEALS)	2	
2	266835603102	TAPER ROLLER BRG. OUTER 32217 BS1/2/3/4	2	
12	266835603101	TAPER ROLLER BRG. INNER 683/72 BS1/2/3/4	2	
13	273235607711	OIL SEAL (135X170X15) BS1/2/3/4/6	2	
14	266835608604	TONGUE SPACER (HUB OUTER BEARING)	2	
15	266835608603	SPACER TUBE (BETWEEN HUB BRGS.)	2	
16	266835608001	PIN (HUB LOCK NUT)	2	
17	12140500800	NYLOC NUT M8 IS7002-8-SS8451-8C	2	
18	266835605301	GASKET REAR HUB BS1/2/3/4	2	
19	273639604704	COVER (SHORTER HUB)FOR NVB	2	
20	273639600118	ASSY HUB COVER(SHORTER HUB)	2	
23	283942300202	ASSY REAR DRUM BRAKE W/DUST COVER LH:BIL	1	
25	12140500800	NYLOC NUT M8 IS7002-8-SS8451-8C	1	
26	12520698025	SPRING WASHER B8 IS3063 SS8451-8C	16	
28	284142308205	ANCHOR BRACKET LH FOR ASA SUPPORT.	1	
29	289242303202	HEX BOLT M14X1.5	2	
30	288042306501	HEX NUT W/COLLAR M14X1.5 FOR REAR BRAKE MOUNTING.	2	
31	277642308601	SPACER FOR CAST BRACKET FOR BUSES	2	
32	500642303701	PLUMMER BLOCK FOR REAR BRAKE ASSY	2	



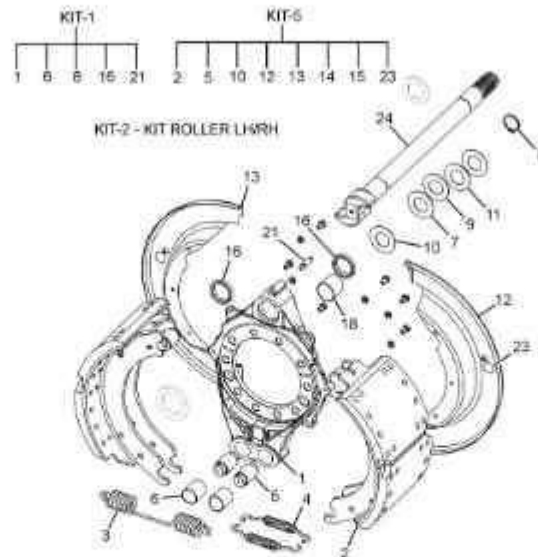
CF PRIMA 2023 1278832000R 01

4/4

Updated on : Thu Feb 1 2024 20:15:01

VC No : 50420552000R Group : (39) DEAD AXLE Table : (2736012539R.02-ASSY RA-909 COMP BRAKES)

Fig.	Part No	Part Description	Qty	Remarks
KIT-1	504042309904	BRAKE ASSY KIT FOR TORQUE PLATE-LH/RH	1	
1	504042303702	BRAKE ASSY TORQUE PLATE	2	
18	503042303405	METAL BUSH-S-CAM SHAFT,M/S.BIL	2	
6	288042103402	BRAKE ASSY BUSH ABUTMENT (FULCRUM)	4	
16	288042107801	OIL SEAL FOR REAR BRAKE	4	
21	288042309901	BRAKE ASSY GERASE NIPPLE	2	
18	503042303405	METAL BUSH-S-CAM SHAFT,M/S.BIL	2	
6	288042103402	BRAKE ASSY BUSH ABUTMENT (FULCRUM)	4	
16	288042107801	OIL SEAL FOR REAR BRAKE	4	
8	257342104303	CIRCLIP FOR FRONT BRAKE	2	
11	288042109201	WASHER FOR FRONT BRAKE	2	
9	288042308303	SHIM 0.3 MM FOR REAR BRAKE	2	
7	257342108301	BRAKE ASSY SHIM -0.5MM	2	
10	257342108302	BRAKE ASSY SHIM -1.0MM	4	
3	288042108701	SPRING CAM END FOR FRONT BRAKE	2	
4	288042108702	SPRING ABUTMENT END FOR FRONT BRK BS1- 6	4	
KIT-2	504042309909	KIT-ROLLER-LH/RH	1	
-	-	BRAKE ASSY ROLLER	4	
-	-	PLATE	8	
-	-	BRAKE ASSY SPLIT PIN	4	
KIT-5	-	KIT DUST SHIELD	1	CHILD PARTS ARE SERVICEABLE
14	288042103202	SET BOLT FOR FRONT BRAKE	12	
5	288042106701	BRAKE ASSY FULCRUM PIN FOR	4	
15	287142999205	SPRING WASHER	12	
12	504042300112	BRAKE ASSY SHIELD ASSY TOP	2	



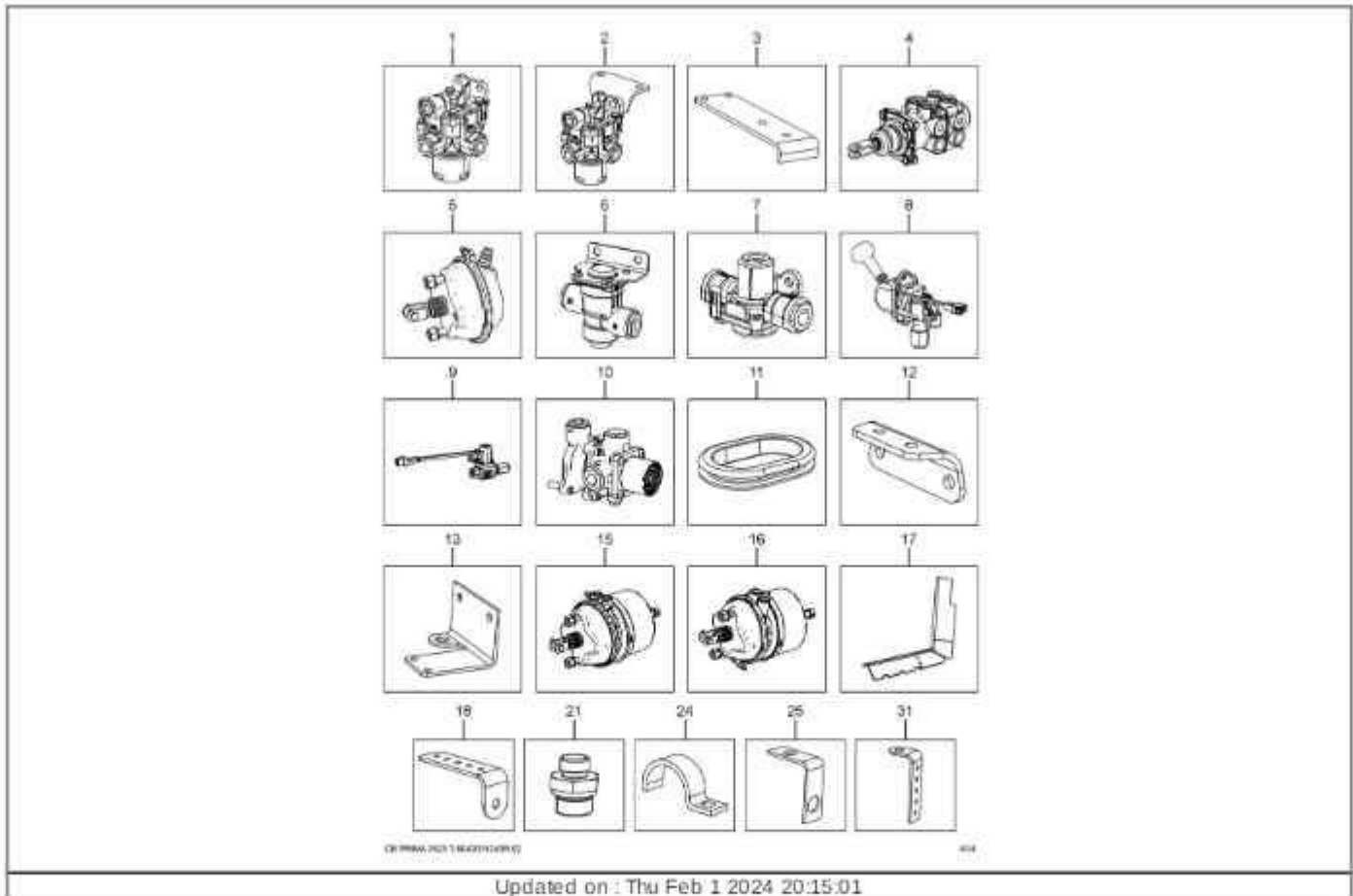
CP PRIMA Lx 127881100000

404

Updated on : Thu Feb 1 2024 20:15:01

VC No : 50420552000R Group : (42) BRAKES Table : (5042015243R.02-BRAKES AGGREGATES)

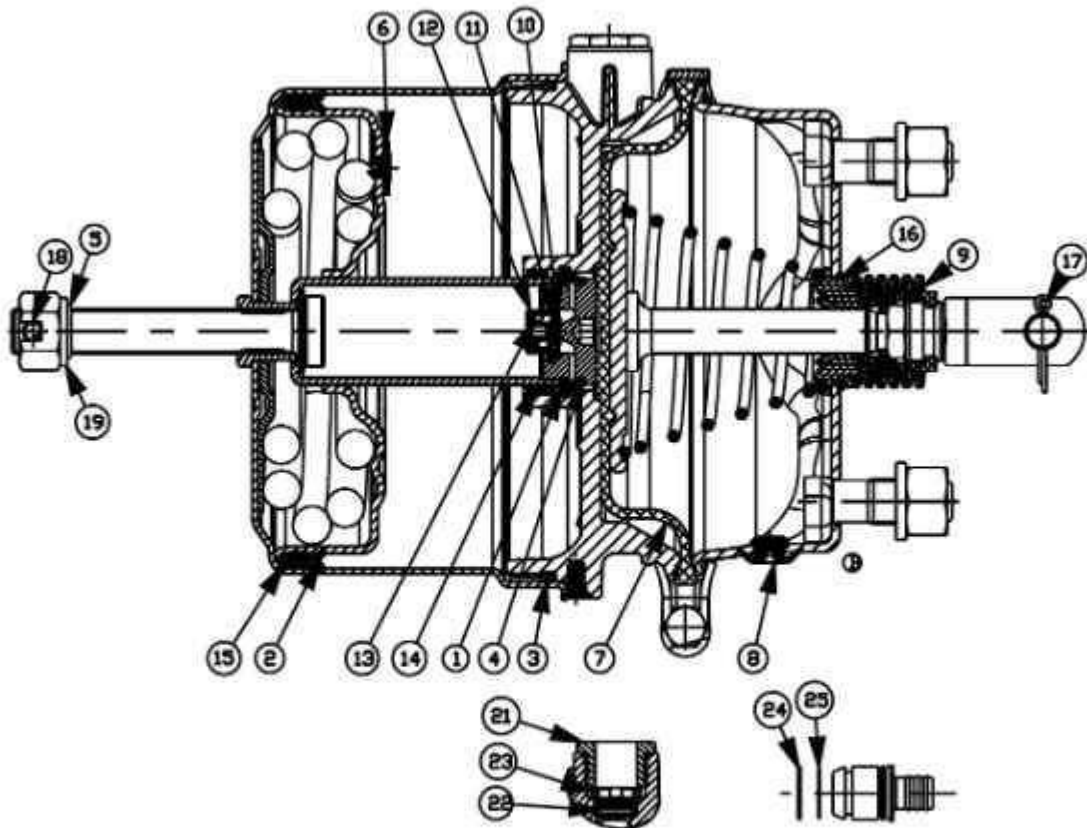
Fig.	Part No	Part Description	Qty	Remarks
1	278243700147	RELAY VALVE BS2/3/4/6	1	
2	283943700118	RELAY VALVE VOSS(1 DEL PORT BS1/2/3/4	1	
3	504243908201	QRV MTG BRACKET (ON DEAD AXLE)	1	
4	288043700102	DUAL BRAKE VALVE-74.5MM (SCL) VOSS	1	
5	288043700103	TYPE 24 BRAKE CHAMBER-75MM STROKE(SCL)	2	
6	288043700148	PRESSURE REDUCTION VALVE (SCL)	2	
7	288443700104	QUICK RELEASE VALVE(3 PORT VOSS)-SCL	1	
8	504043700111	HAND BRAKE VALVE WITH SWITCH WITH OUT TRAILOR CHE	1	OPTIONAL
8	504043700111	HAND BRAKE VALVE WITH SWITCH - WABCO	1	OPTIONAL
9	551945300101	SOLENOID VALVE BS1/2/3/4	1	
10	284643700184	ADJUSTING VALVE WABCO MAKE (LOCALISED)	2	
11	288043907503	GROMMET (FOR BRAKE PIPES-LONG MEMBER)	AR	
12	278242107101	BRACKET (RELAY VALVE MOUNTING)	2	
13	278242903308	QRV MTG. BRACKET (ON LIVE AXLE)	1	
15	503943700115	SPRING BRK ACTUATOR LH 20/24 BS3/4	2	
16	284643710126	SPRING BRAKE ACTUATOR TYPE 20/24 (VM)	2	
17	288043200156	ASSY FOOT STEIP MTG. BKT RH	1	
18	288546803304	BRKT-STRG PIPE MTG	3	
21	257643506802	DOUBLE SOCKET	2	
-	504243903301	BRACKET(FOR TEE CONR.MTG.OF FRT.BRK.CCT)	7	
24	278242904203	METAL CLAMP (15 O.D NYL PIPE WITH COVER)N	11	
25	503043903301	BRACKETFRONT HOSE MTG DIA.15	2	
-	288543900249	INSULATION ALUMINIUM SLEEVE	1	
-	288543900260	CORRUGATED TUBE (O.D. 42X2.0 LENGTH 500MM)	1	
-	288543900261	CORRUGATED TUBE (O.D. 42X2.0 LENGTH 300MM)	1	



Updated on : Thu Feb 1 2024 20:15:01

VC No : 50420552000R Group : (42) BRAKES Table : (5042015243R.05-REPAIR KIT - ASSY.SPRING BRAKE ACTUATOR TYPE 20/24 VOSSVOSS V)

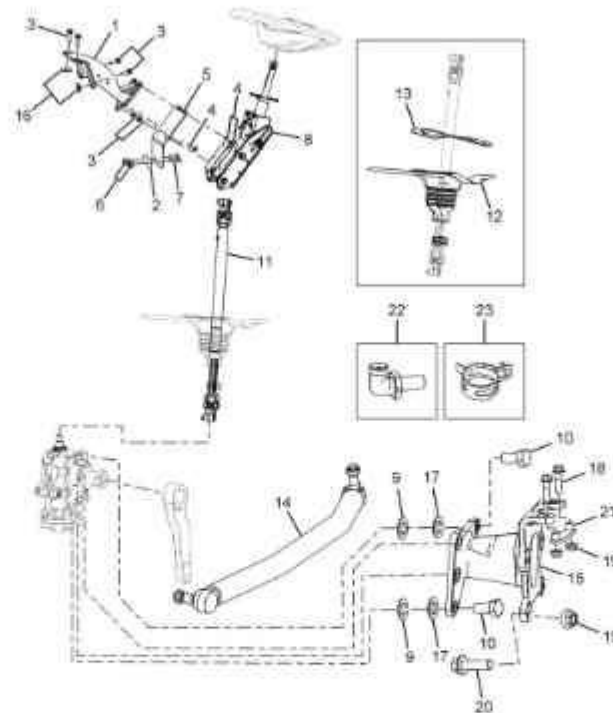
Fig.	Part No	Part Description	Qty	Remarks
-	504243990105	SPRING BRAKE ACTUATOR T24/24 MAJOR SPARE		
1	LIP SEAL	1	
2	SEAL RING INTEGRAL	1	
3	O-RING,STATIC	1	
4	SEALING RING.	2	
5	O-RING, DYNAMIC	1	
6	VALVE	1	
7	DIAPHRAGM	1	
8	CHECK VALVE	1	
9	GAITER	1	
10	DIAPHRAGM	1	
11	RING	1	
12	VALVE SEAT	1	
13	SPRING	1	
14	BEARING	1	
15	BEARING.	1	
16	DUST SEAL	1	
17	SPLIT PIN.	1	
18	KNURL PIN.	1	
19	SEAL RING SPECIAL WASHER	1	
-	GREASE SACHET	4	
-	504243990102	SPRING BRAKE ACTUATOR T24/24 MINOR NO 1		
21	PRESSURE SCREW	1	
22	SPRING ELEMENT NG-12	1	
23	RETAINER CLIP NG-12	1	



Updated on : Thu Feb 1 2024 20:15:01

VC No : 50420552000R Group : (46) STEERING Table : (5040013446R.01-STEERING LINKAGES)

Fig.	Part No	Part Description	Qty	Remarks
1	288046103801	STRG COLUMN MTG BRKT	1	
2	288546107101	PLATE-RUBBER COATED	2	
3	11071510303	HEXFL BOLT M10X30 TS17130-8.8-SS8451S2-Y	10	
4	11411410252	CAP SCREW M10X25 IS2269 12.9 SS9400	5	
5	288046107101	BASE PLATE	1	
6	12301501003	HEX FL NUT AM10 TS17430-8-SS8451S2-Y	10	
7	11411410252	CAP SCREW M10X25 IS2269 12.9 SS9400	5	
8	288046100102	STEERING COLUMN ASSY - SONA KOYO	1	
9	12460502100	BRIGHT WASHER 21 IS2016 ST SS8451-8C	4	
10	284646108001	HEX.SCREWM20X1.5X50 IS13725-10.9-SS8451	4	
11	288046200102	ASSY. INTERMEDIATE SHAFT BS3/4	1	
12	500646207701	RUBBER BELLOW TELESCOPIC SHAFT	1	
13	500646204201	PLATE RUBBER BELLOW	1	
14	504046300102	DRAG LINK ASSY	1	
-	504346800120	DRAG LINK END ASSY	1	
15	288046703301	STEERING GEAR BOX MTG BRKT	1	
16	288046109201	SPACER	4	
17	12460502100	BRIGHT WASHER 21 IS2016 ST SS8451-8C	4	
18	11063814638	HEX BOLT M14X75 IS1364P1-8.8-SS8451-8C	2	
19	12301501402	HEX FL NUT AM14 TS17430 8 SS8451-8C	6	
20	11071514503	HEX FL BOLT M14X50 TS17130 8.8 SS8451-8C	4	
21	288046700101	SPACER- STEERING GEAR BOX MTG BRKT	1	
22	500646800159	ELBOW ADAPTOR-M26XM18	1	
23	14300512241	SPR. BD CLAMP 24DX12W TS17665 SS8451S2-Y	1	



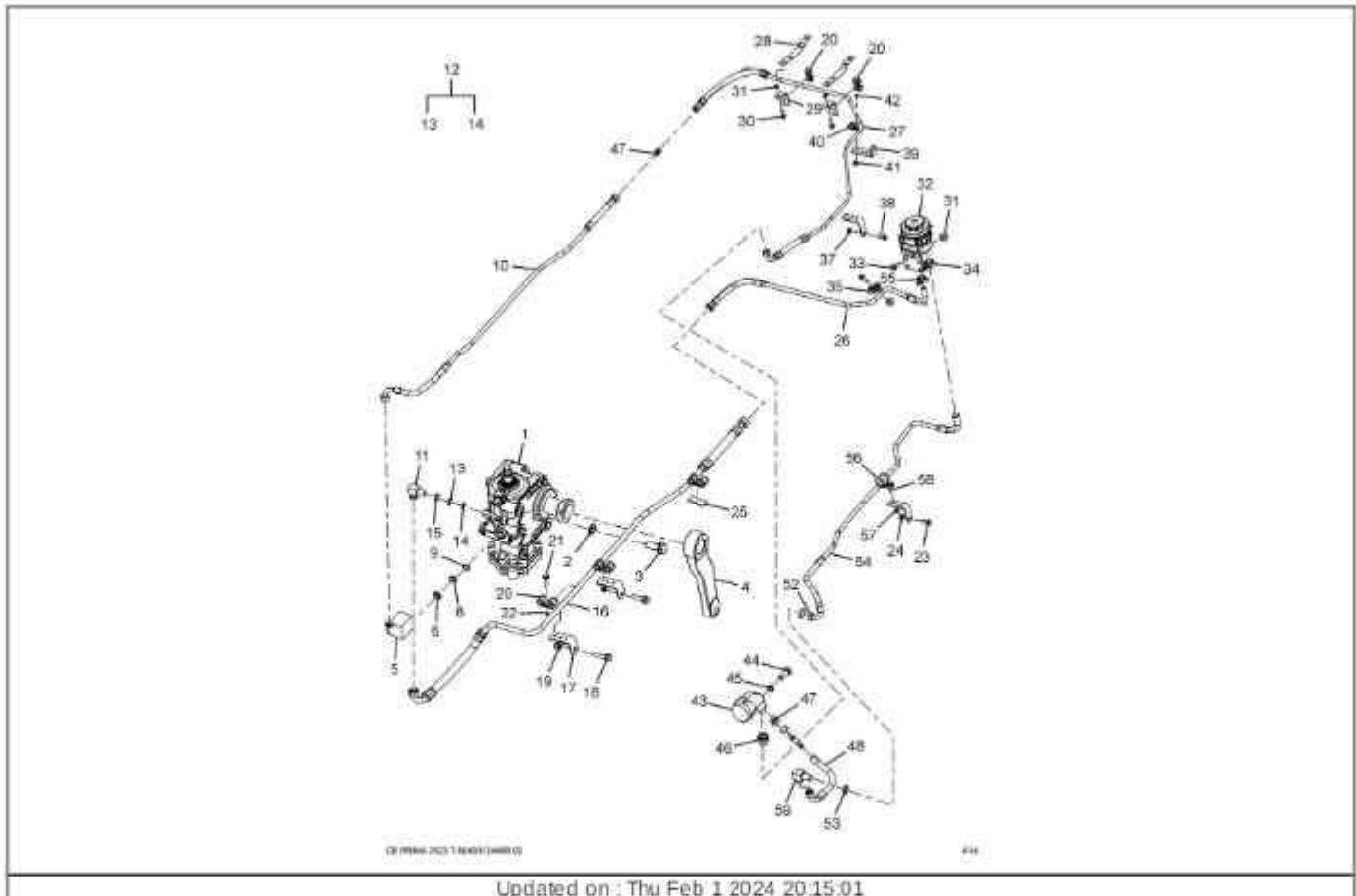
© PRIMA 2017 (46) (46) (R)

414

Updated on : Thu Feb 1 2024 20:15:01

VC No : 50420552000R Group : (46) STEERING Table : (5040013446R.02-STEERING AGGRTS. AND PIPELINES)

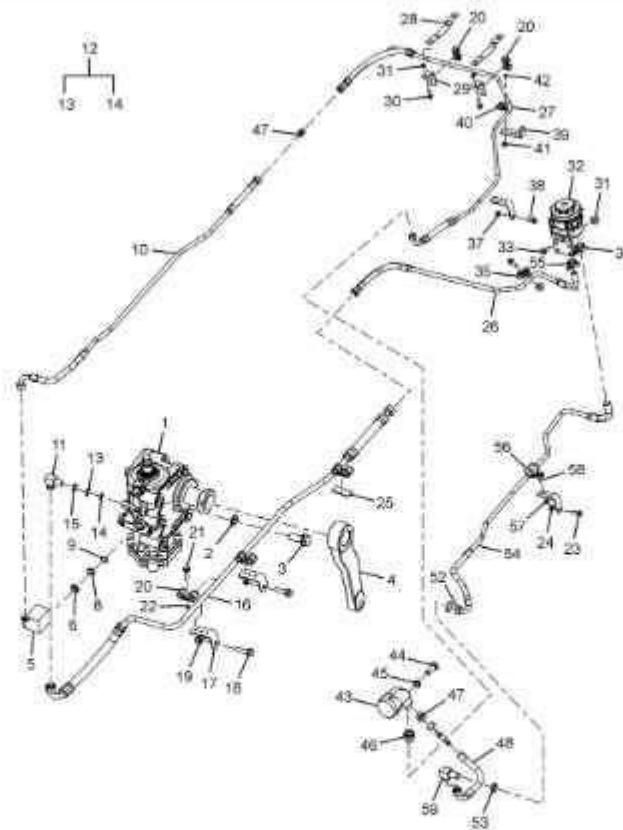
Fig.	Part No	Part Description	Qty	Remarks
1	502146100101	STG GEAR BOX - 8046 TYPE 1 - CONSTANT RATIO	1	
2	12460502100	BRIGHT WASHER 21 IS2016 ST SS8451-8C	4	
3	284646108001	HEX SCREW,M20X1.5X50 IS13725-10.9-SS8451	4	
4	504046304101	PITMAN ARM-ZF	1	
5	500646800159	ELBOW ADAPTOR-M26XM18	1	
6	12056101801	LOCK NUT M18X1.5 IS10410 SS8451-8C	1	
8	263243509201	THRUST RING	1	
9	17050501159	O-RING 17.12X2.62 TS16220	1	
10	504046800104	RETURN LINE ASSY GB END TYPE-I	1	
11	500646800161	ELBOW K15 M16X1.5 TS 16558-SS8451-8C	1	
12	257643500145	SEALING RING ASSY	1	
13	257643509202	THRUST RING	1	
14	17050501132	O RING 14.00X2.65 TS16220	1	
15	12056101606	LOCK NUT M16X1.5 IS10410 SS8451-8C	1	
16	504046800102	PRESSURE LINE ASSY GB END TYPE-I	1	
17	288546803309	BRKT STG PIPE MTG	2	
18	11341812455	FL SCR M12X1.5X45 TS17130 10.9SS8451-8CH	1	
19	12143401209	HEX FL NUT M12X1.5 ISO 12126 10 SS8451-8	1	
20	288046508211	DOUBLE CLAMP 15X18	6	
21	11071506209	HEX FL BOLT M6X20 TS17130-8.8-SS8451S2-Y	6	
22	12301500601	HEX FL NUT AM6 TS17430-8-SS8451S2-Y	6	
23	11071512357	HEX FL BOLT M12X35 TS17130 8.8 SS8451-8C	2	
24	12301501216	HEX FL NUT AM12X1.5 TS17430-8-SS8451-8C	2	
25	257344104203	STRIP	1	
26	288046800104	RETURN LINE ASSY RESR END	1	



Updated on : Thu Feb 1 2024 20:15:01

VC No : 50420552000R Group : (46) STEERING Table : (5040013446R.02-STEERING AGGRTS. AND PIPELINES)

Fig.	Part No	Part Description	Qty	Remarks
27	504046800103	PRESSURE LINE ASSY PUMP END TYPE-I	1	
28	288546808201	BRKT-WIRING HARNESS CLAMPING	2	
29	288546803310	BRKT STG PIPE MTG	2	
30	11071710353	HEX FL BOLT M10X35TS17130 10.9SS8451-8CH	2	
31	12301501003	HEX FL NUT AM10 TS17430-8-SS8451S2-Y	2	
32	278244400101	ASSY. HYDRAULIC STG. TANK-PLASTIC BS1- 4	1	
33	11071510303	HEXFL BOLT M10X30 TS17130-8.8-SS8451S2-Y	4	
34	14300512241	SPR. BD CLAMP 24DX12W TS17665 SS8451S2-Y	1	
35	288046508215	CLAMP 18X18	1	
37	11071512357	HEX FL BOLT M12X35 TS17130 8.8 SS8451-8C	1	
38	12301501216	HEX FL NUT AM12X15 TS17430-8-SS8451-8C	1	
39	288546803304	BRKT-STRG PIPE MTG	1	
40	288046508208	CLAMP	1	
41	12301500601	HEX FL NUT AM6 TS17430-8-SS8451S2-Y	1	
42	11071506209	HEX FL BOLT M6X20 TS17130-8.8-SS8451S2-Y	1	
43	275446600103	ASSY. VANE PUMP BS1/2/3/4	1	
44	11323910253	HEX SCREW M10X25 IS1364P2-8.8-SS8451-8C	2	
45	12520698050	SPRING WASHER B10 IS3063 SS8451-8C	2	
46	288546800158	COUPLING BODY M18XM22	1	OPTIONAL
46	207746800159	ASSY MALE ADAPTOR (TF/RP/AD/002/A) - ZF	1	OPTIONAL
47	207746800158	ASSY MALE ADAPTOR (TF/RP/AD/001)	1	
48	504046800109	SUCTION LINE ASSY TYPE-I	1	
52	16151701802	COUPLING NUT L18 IS8803 SS8451-8C	1	
53	12056102602	LOCK NUT M26X15 TS17408-SS8451-8C	1	
54	504046800101	SUCTION LINE ASSY TYPE-I	1	



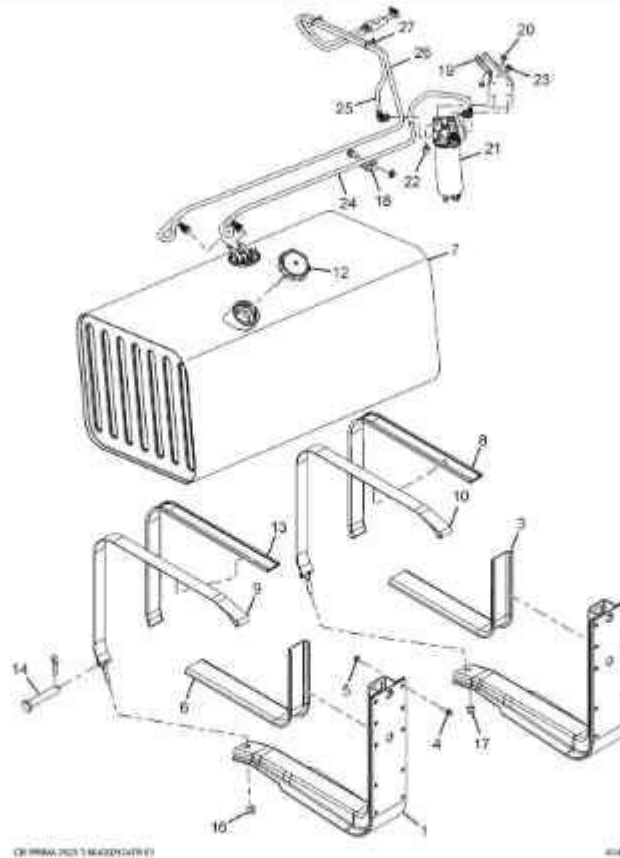
CF PRIMA 2521 T (RWD) (4WD) (3)

4/4

Updated on : Thu Feb 1 2024 20:15:01

VC No : 50420552000R Group : (47) FUEL SYSTEM Table : (5042025247R.01-FUEL TANK AND FUEL LINES)

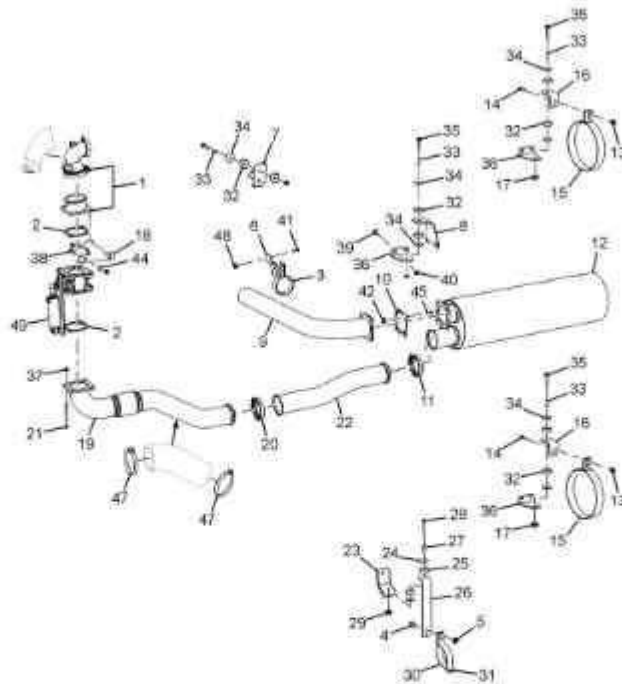
Fig.	Part No	Part Description	Qty	Remarks
1	288047500101	BRKT-FUEL TANK MTG	2	
3	288547507701	RUBBER PACKING WORLD TRUCK FT	2	
4	11071514503	HEX FL BOLT M14X50 TS17130 8.8 SS8451-8C	12	
5	12301501402	HEX FL NUT AM14 TS17430 8 SS8451-8C	14	
6	288547507701	RUBBER PACKING WORLD TRUCK FT	2	
7	504147100102	ASSY. FUEL TANK WELDED 400L (GALV) BS3/4	1	
-	504247704901	FUEL SENDER UNIT	1	
8	288047507702	RUBBER PACKING-STRAP	1	
9	284647500104	ASSY.OF RUBBER PACKING-STR.& ASSY,STRAP	1	
10	288047500104	ASSY STRAP	1	
12	504247100111	ASSY. CAP, FUEL TANK (CHAIN & KEY) BS3/4	1	
13	288047507702	RUBBER PACKING-STRAP	1	
14	288047506701	CLEVIS PIN	2	
16	288047506501	SLEEVE NUT M12 X 1.5	2	
17	12140801206	NYLOC NUT M12X1.5 ISO-10512-10SS8451-8CH	2	
18	288547603302	SUPPORT BRACKET FOR ASSY FUEL LINES	2	
19	502047603301	BRACKET FUEL FILTER MTG	1	
20	11071510303	HEXFL BOLT M10X30 TS17130-8.8-SS8451S2-Y	2	
21	220747700101	ASSY. HEAD & FUEL WATER SEPARATOR BS3/4	1	
22	11071512357	HEX FL BOLT M12X35 TS17130 8.8 SS8451-8C	2	
23	12301501208	HEX FL NUT AM12 TS17430-8-SS8451-8C	2	
24	504247600109	ASSY FUEL LINE FT TO WS 2523,T LCCR	1	
25	504247600107	ASSY FUEL LINE FT TO WS 2523,T LCCR	1	
26	504247600108	ASSY FUEL RETURN LINE ENGINE TO F/T	1	
27	62196058261	CABLE TIE 4.7X110 BLACK TS29360	6	



Updated on : Thu Feb 1 2024 20:15:01

VC No : 50420552000R Group : (49) EXHAUST SYSTEM Table : (504205249R.01-EXHAUST SYSTEM)

Fig.	Part No	Part Description	Qty	Remarks
1	208249200102	ASSY EXHAUST PIPE(EXH ELBOW TO EXH BRAKE)	1	
2	276349205301	GASKET EXHAUST PIPE FLANGE BS1/2/3/4/6	2	
3	288549108234	CLAMP EXH PIPE	1	
4	11341510301	HEX FL SCREW M10X30 TS17130 8.8SS8451-8C	2	
5	12301501003	HEX FL NUTAM10 TS17430-8-SS8451S2-Y	2	
6	504149108201	BRACKET	1	
7	288549108231	BRACKET FOR HOLDING TAIL PIPE	1	
8	504149108205	TAIL PIPE SUPPORT BKT	1	
9	504149200102	ASSY EXHAUST TAIL PIPE	1	
10	288549100133	GASKET	1	
11	288549100114	V BAND CLAMP FROM JUPITER 3.8	1	
12	504149200104	MUFFLER ASSY FOR PRIMA M0	1	
13	12301501003	HEX FL NUTAM10 TS17430-8-SS8451S2-Y	4	
14	11341712353	HEX FL SCR M12X35 TS17130 10.9SS8451-8CH	4	
15	504149108206	MUFFLER HOLDING BKT	2	
16	504149208201	BRACKET	2	
17	12301601211	HEX FL NUTAM12X15 TS17430 10SS8451-8CH	3	
18	501149200107	ASSY BRACKET SUPPORT EXHAUST BRAKE	1	
19	504149200101	PIPE ASSY	1	
20	288549100114	V BAND CLAMP FROM JUPITER 3.8	1	
21	504249108001	HEX BOLT M12X130 IS1364P1-8.8-SS8451-8C	4	
22	504149206903	THIRD PIPE FROM SECOND PIPE TO MUFFLER	1	
23	504049203303	BRACKET FOR PIPE SUPPORT(ON LONG MEMBER)	1	
24	257649009202	WASHER	2	
25	257649007502	RUBBER BUFFER	2	

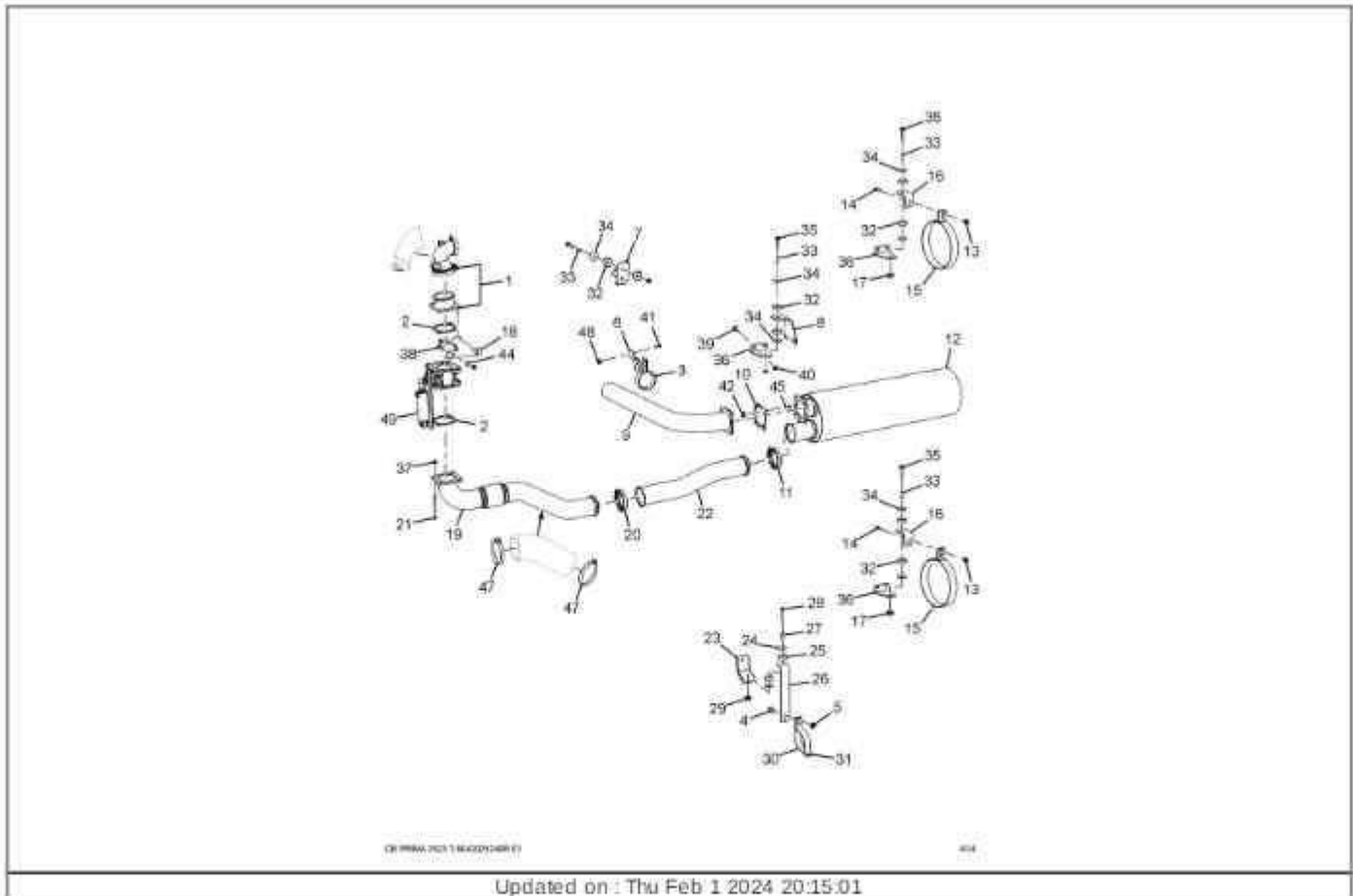


CE PRIMA Lx 1 140201000 (1)

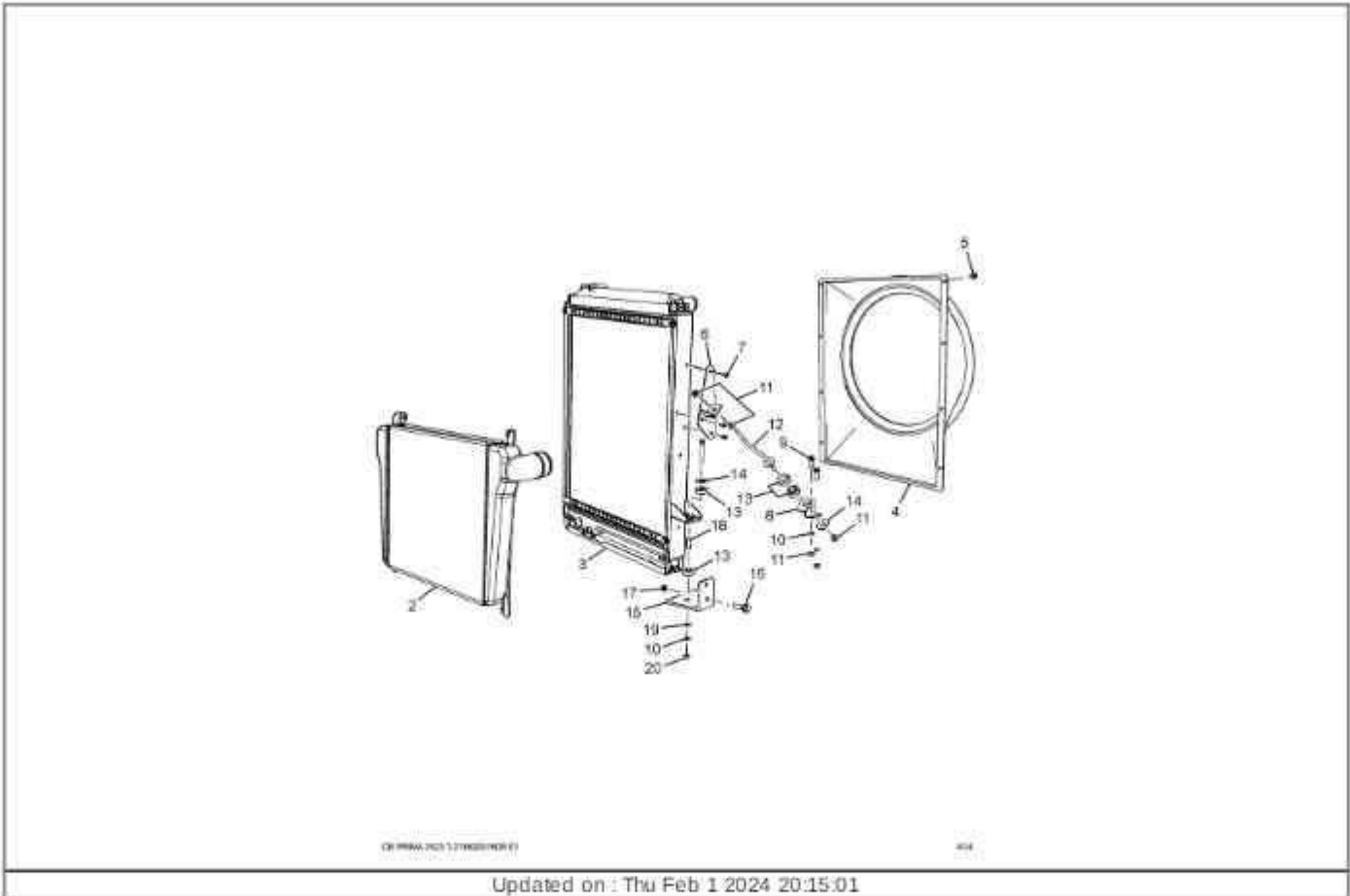
414

Updated on : Thu Feb 1 2024 20:15:01

VC No : 50420552000R Group : (49) EXHAUST SYSTEM Table : (504205249R.01-EXHAUST SYSTEM)				
Fig.	Part No	Part Description	Qty	Remarks
26	504149203301	BRACKET	1	
27	257649006902	TUBE	1	
28	11341508608	FL SCREW M8X60	1	
29	12301500805	HEX FL NUT AM8	1	
30	500349108207	CLAMP FOR THIRD PIPE	1	
31	500349108208	CLAMP FOR THIRD PIPE	1	
32	288549107501	RUBBER BUFLER	10	
33	288549106915	TUBE	5	
34	288549109201	WASHER	8	
35	11071812709	FL BOLT M12X1.5X70TS17130 10.9SS8451-8CH	3	
36	504049203301	BRACKET FRONT(ON LONG MEMBER)	3	
37	504249106501	HEX FL NUT M10 TS17430-10-SS8457-Y	3	
38	11323996107	HEX SCREW M12X35 IS1364P2-8.8-SS8451-8C	1	
39	11071814400	FL BOLT M14X1.5X40TS17130 10.9SS8451-8CH	4	
40	12301601415	HEX FL NUT AM14X1.5TS17430 10SS8451-8CH	5	
41	11341508225	HEX FL SCREW M8X22 TS17130 8.8 SS8451-8C	2	
42	12301501208	HEX FL NUT AM12 TS17430-8-SS8451-8C	6	
44	12460501308	BRIGHT WASHER 13 IS2016 ST SS8451-8C	1	
45	11341512451	HEX FL SCREW M12X45 TS17130 8.8SS8451-8C	2	
47	14280501159	HOSE CLAMP 115 IS4762-SS8451-8B	2	
48	12301500805	HEX FL NUT AM8	3	
49	216343700210	28DIA EXH.BRAKE CYLINDER WITH ADAPTOR	1	
-	216343710104	ASSY. 80DIA. EX. BRAKE W/28D.CYL. BS1- 4	1	
-	216343700210	28DIA EXH.BRAKE CYLINDER WITH ADAPTOR	1	



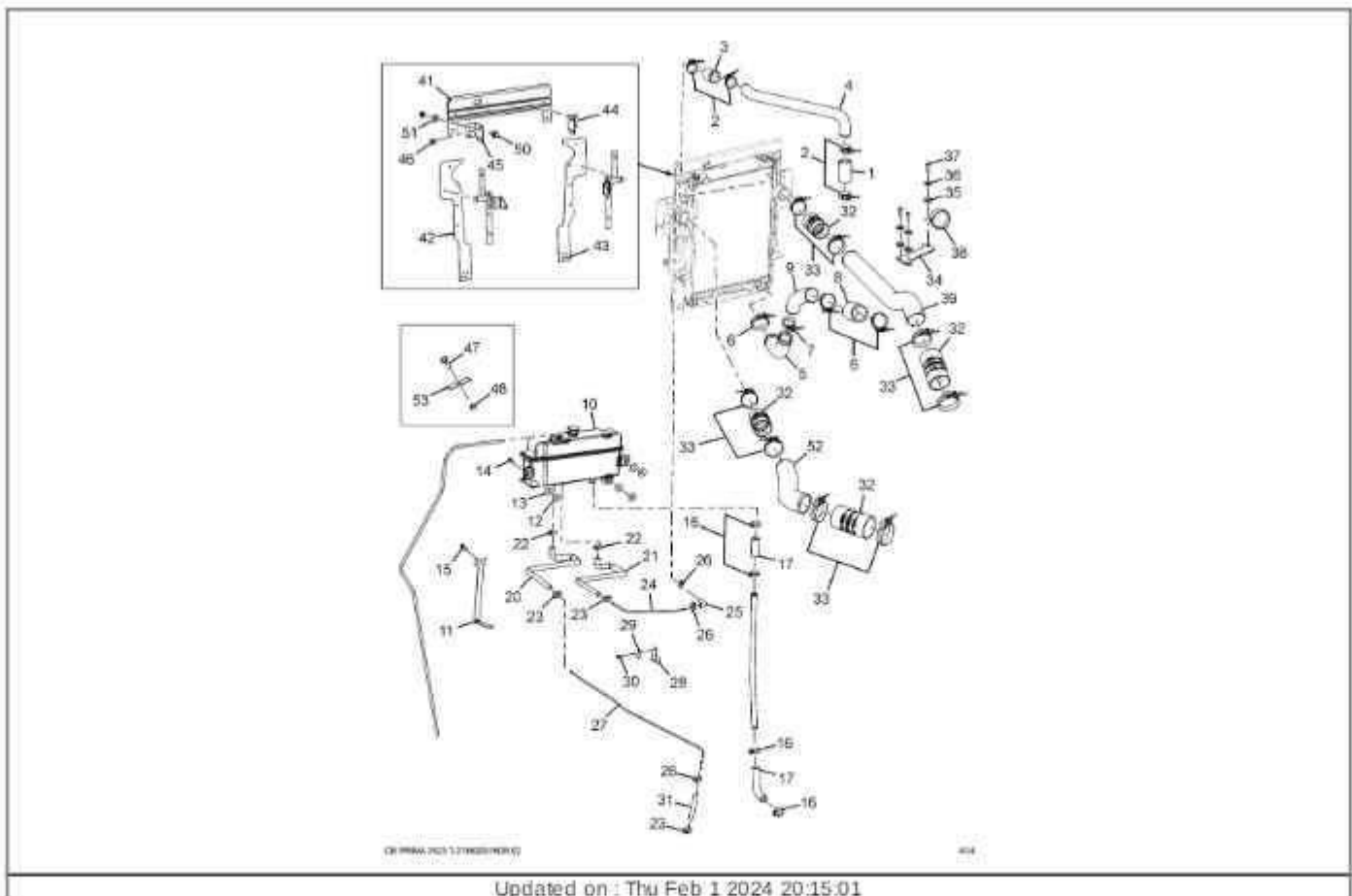
VC No : 50420552000R Group : (50) RADIATOR Table : (2786320150R.01-RADIATOR AND INTERCOOLER MOUNTINGS)				
Fig.	Part No	Part Description	Qty	Remarks
2	570114609911	INTERCOOLER	1	
3	570150100143	RADIATOR ASSY	1	
4	278650506391	FAN SHROUD(LPS4021)(M0)	1	
5	11343508125	H/FL SCREW M8X12 TS17130-8.8-SS8451S2-Y	8	
6	278650000297	ASSY RAD MTG BKT LH (TOP SIDE)(M0)	1	
6	278650000296	ASSY RAD MTG BKT RH (TOP SIDE)(M0)	1	
7	11341510181	HEX FL SCR M10X18 TS17130-8.8-SS8451S2-Y	6	
8	278650000292	ASSY RAD MTG BKT RH (LM TOP SIDE)(M0)	1	
8	278650000293	ASSY RAD MTG BKT LH (LM TOP SIDE)(M0)	1	
9	11341512303	HEX FL SCR M12X30 TS17130-8.8-SS8451-8C	4	
10	12520696014	SPRING WASHER B12 IS3063 SS8451-8C	6	
11	12301501208	HEX FL NUT AM12 TS17430-8-SS8451-8C	10	
12	570150008802	ASLY TIE ROD	2	
13	257450006301	RUBBER BUFFER	8	
14	257450009202	WASHER (47DIA)	4	
15	278650000294	ASSY RAD MTG BKT RH (BOTTOM SIDE)(M0)	1	
15	278650000295	ASSY RAD MTG BKT LH (BOTTOM SIDE)(M0)	1	
16	11071514457	HEX FL BOLT M14X45 TS17130 8.8 SS8451-8C	2	
17	12301501402	HEX FL NUT AM14 TS17430 8 SS8451-8C	2	
18	278650406904	SPACER TUBE (32.5 LONG)	2	
19	12520696031	BRIGHT WASHER 13 IS2016 ST SS8451-8C	2	
20	12051501207	HEX NUT M12 IS1364P3-8-SS8451-8C	2	



Updated on : Thu Feb 1 2024 20:15:01

VC No : 50420552000R Group : (50) RADIATOR Table : (2786320150R.02-COOLING PIPES)

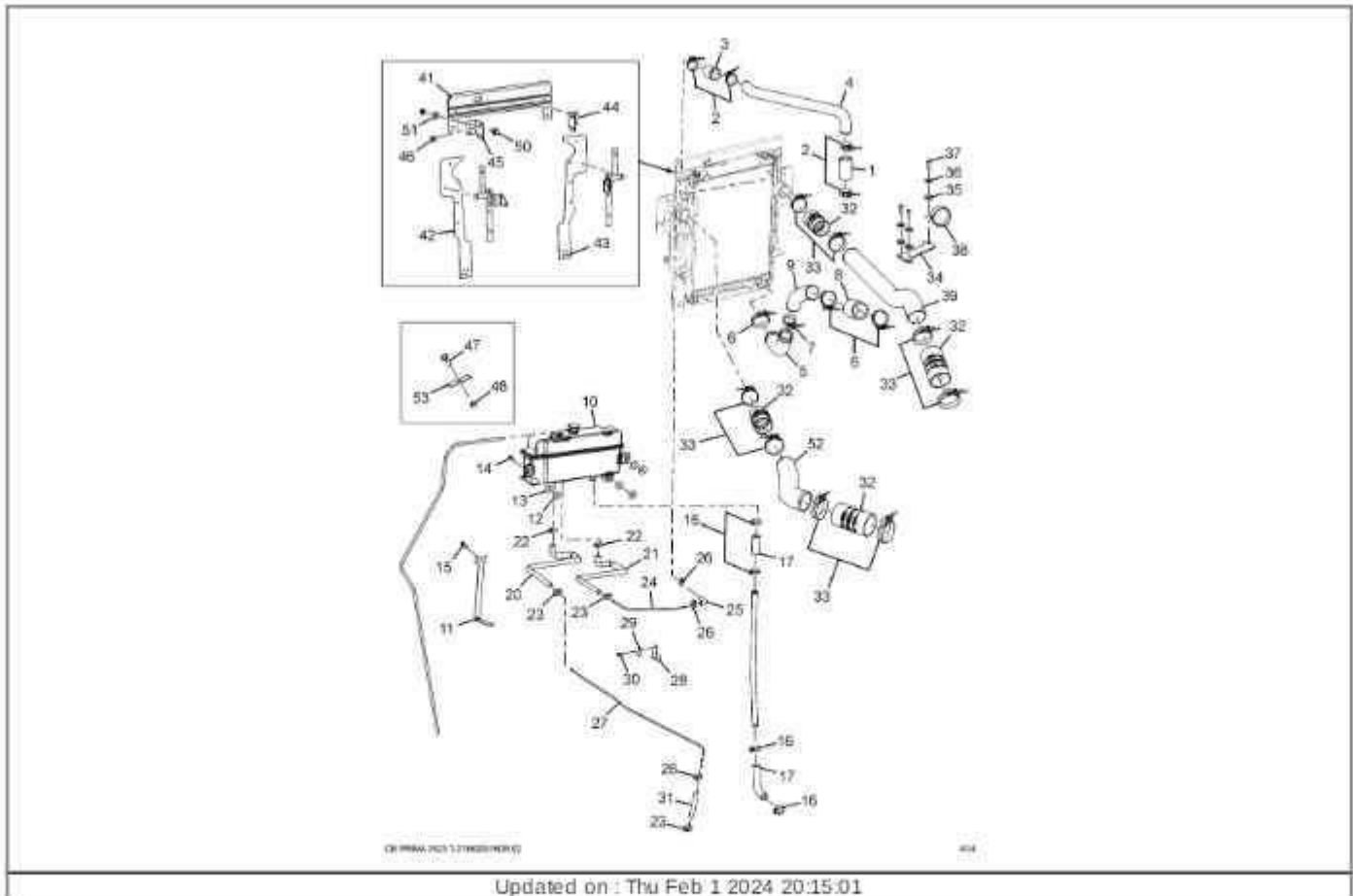
Fig.	Part No	Part Description	Qty	Remarks
1	278650105822	RUBBER HOSE	1	
2	14280599302	HOSE CLAMP TB36 SAE J1508	4	
3	278650105822	RUBBER HOSE	1	
4	278650126944	PIPE (ENG TO RADIATOR UPPER SIDE)(M0)	1	
5	570150105802	HOSE (RADIATOR TO ENGINE)	1	
6	14280598217	HOSE CLAMP TB-54 SAE J 1508	3	
7	14280599329	HOSE CLAMP TB44 SAE J1508	1	
8	278650105829	HOSE (RADIATOR BOTTOM TANK)	1	
9	278650126945	PIPE (RAD TO WATER INLET)(M0)	1	
10	286350100113	ASSY. AUXILLIARY WATER TANK BS3/4	1	
11	570150000145	ASSY. BRACKET(VENT HOSE SUPPORT)	1	
12	278650108301	SHIM (1 THK)	3	
13	278650108302	SHIM (2THK)	3	
14	11341508357	HEX FL SCR M8X35 TS17130-8.8-SS8451S2-Y	3	
15	11341508225	HEX FL SCREW M8X22 TS17130 8.8 SS8451-8C	1	
16	14280500454	HOSE CLAMP 45 IS4762 SS8451-8B	4	
17	278650010133	ASSY HOSE WITH CORRUGATED TUBE	1	
20	570150105809	VENT HOSE (ENGINE TO AUX.TANK)	1	NON CORRUGATED
	570150000198	ENT HOSE ASSY AUX.TANK TO ENG	1	CORRUGATED
21	570150105810	VENT HOSE (RADIATOR TO AUX. TANK)	1	NON CORRUGATED
	570150000197	VENT HOSE ASSY,AUX TANK TO RADIATOR --	1	CORRUGATED
22	14280500306	HOSE CLAMP 30 IS4762-SS8451S2-Y	2	
23	14280500250	HOSE CLAMP 25 IS4762 SS8451-8B	3	
24	278650126946	VENT TUBE (RAD TO AUX TANK)DIA.6.0(M0)	1	
25	570150105847	REDUCER HOSE (DIA 9 TO 6)	1	



Updated on : Thu Feb 1 2024 20:15:01

VC No : 50420552000R Group : (50) RADIATOR Table : (2786320150R.02-COOLING PIPES)

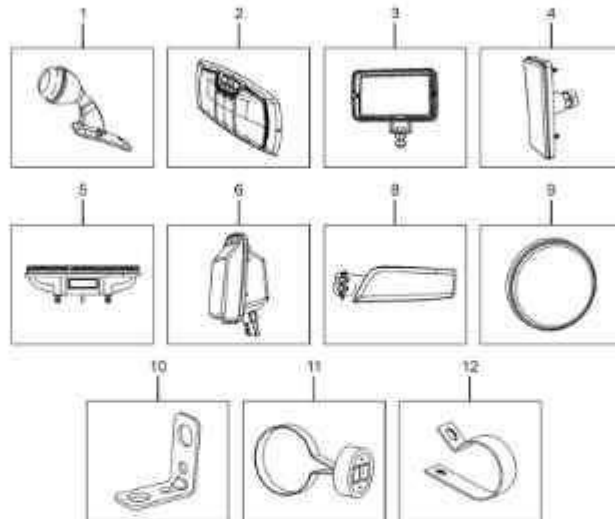
Fig.	Part No	Part Description	Qty	Remarks
26	14280500209	HOSE CLAMP 20 IS4762 SS8451-8B	3	
27	278650126947	VENT TUBE (AUX TANK TO ENG)DIA.6.0(M0)	1	
28	570150000105	ASSY BRACKET (FOR VENT TUBE MOUNTING)	1	
29	286350104202	CLAMP (FOR VENT TUBE)	1	
30	11323998061	HEX SCREW M6X12 IS1364P2-8.8-SS8451-8C	1	
31	278650105889	HOSE	1	
32	286614605801	HUMP HOSE BS1/2/3/4	4	
33	14280509272	HOSE CLAMP SLTB 72 BS1/2/3/4/6	8	
34	278614603314	BRACKET (TC TO IC PIPE SUPPORT)	1	
35	12460500841	BRIGHT WASHER 8.4 IS2016 ST SS8451-8C	2	
36	12520698025	SPRING WASHER B8 IS3063 SS8451-8C	2	
37	11323996026	HEX SCREW M8X22 IS1364P2-8.8-SS8451S2-Y	2	
38	278609134204	CLAMP (FOR ASSY. PIPE)	1	
39	278614606940	PIPE (TC TO IC)(M0)	1	
41	570150000175	AIR PROTECTOR (RADIATOR UPPER)	1	
34	278614603314	SUPPORTPIPE TC TO IC 2523.T PRIMA LX	1	
42	278650000315	RADIATOR ASSY FLAP	1	
43	278650000316	RADIATOR.MTG PAD SIDE	1	
44	278650003347	BRACKET(RH)	1	
45	278650003348	BRACKET(LH)	1	
46	11341708160	HEX FL.SCR.M8X16 TS17130 10.9 SS8451-8CH	8	
47	-	HEX FL SCREW M6X14	1	NOT SERVICEABLE
48	12051500600	HEX NUT M6 IS1364P3-8-SS8451-8C	1	
-	570150000175	AIR PROTECTOR (RADIATOR UPPER)	1	
50	11341510301	HEX FL SCREW M10X30 TS17130 8.8SS8451-8C	4	



Updated on : Thu Feb 1 2024 20:15:01

VC No : 50420552000R Group : (54) ELECTRICALS Table : (2816215254R.02-LAMPS)

Fig.	Part No	Part Description	Qty	Remarks
1	281654400131	LAMP ASSY FRONT END OUTLINE MARKER (FIEM) RH	1	
1	281654400130	LAMP ASSY FRONT END OUTLINE MARKER (FIEM) LH	1	
2	281654410123	ROOF LAMP ASSY	1	
3	281654400169	LAMP ASSY WORK AREA (NEOLITE)	1	
4	281654400188	LAMP ASSY SIDE MARKER (NEOLITE)	6	
5	264154440139	ASSY TAIL LAMP(4 CH.)RH-24V-LUMAX	1	OPTIONAL
5	280954440112	ASSY 4CH.TAIL LAMP RH24V(CLEAR)-NEOLITEN	1	OPTIONAL
5	264154440138	ASSY TAIL LAMP(4 CH.)LH-24V-LUMAX	1	OPTIONAL
5	280954440111	ASSY 4CH.TAIL LAMP LH24V(CLEAR)-NEOLITEN	1	OPTIONAL
6	281654400145	LAMP DIRECTION INDICATOR (FIEM) RH	1	
6	281654400144	LAMP DIRECTION INDICATOR (FIEM) LH	1	
8	281654400146	ASSY. HEAD LAMP LH RHD BS3/4	1	
8	281654400147	ASSY. HEAD LAMP RH RHD BS3/4	1	
9	281654409910	ASSY REFLEX REFLECTOR (WHITE)-OFFER	2	
10	281654608205	BRKT FOR HARNESS MTG ON CHASSIS TYPE B	8	
11	264154609957	CABLE TIE (SFC/LPT 407)-MICROSIGN PRODUCN	2	
12	264142900172	ASSY CLAMP	1	



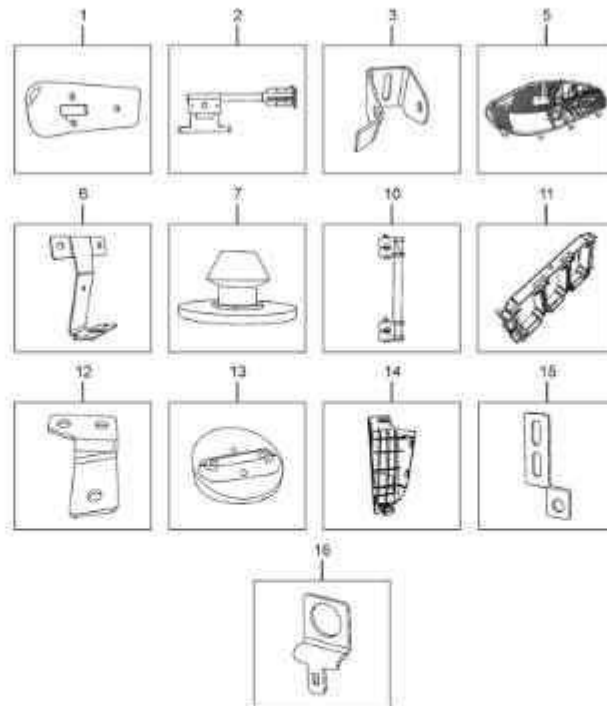
08/09/2017 10:40:54 AM

2/4

Updated on : Thu Feb 1 2024 20:15:01

VC No : 50420552000R Group : (54) ELECTRICALS Table : (2816215254R.06-ELECTRICAL EQUIPMENT AND INSTRUMENTS)

Fig.	Part No	Part Description	Qty	Remarks
1	281654407706	GASKET-FRONT END OUTLINE MARKER LAMPLH	1	
1	281654407707	GASKET-FRONT END OUTLINE MARKER LAMP RH	1	
2	281654400210	ASSY BRKT TAIL LAMP LH PRIMA LPT M0	1	
2	281654400211	ASSY BRKT TAIL LAMP RH PRIMA M0 LPT MODELS	1	
3	281654408220	BRKT WORK AREA LAMP MTG (ISBE)	1	
5	281654406307	LAMP LENS STEP ILLUMINATION LH (ELECTRICA)	1	
5	281654406308	LAMP LENS STEP ILLUMINATION RH (ELECTRICA)	1	
6	281654408271	BRKT FOR FRONT SIDE MARKER LAMP MTG LH	1	
6	281654408272	BRKT FRONT SIDE MARKER LAMP MTG RH	1	
7	281654407712	PLASTIC SEAL FOR HEAD LAMP LEVELING HOLES (OFFER)	4	
10	281654100163	ASSY COPPER BATTERY CABLE LINK 70 SQ.MM	1	
11	281654506307	CARRIER PLATE FACIA SWITCH	5	
12	281654408284	BRKT SIDE REPEATER MTG LH (M0)	1	
12	281654408285	BRKT SIDE REPEATER MTG RH (M0)	1	
13	281654407713	ADDON FRONT RETRO REFLECTOR	2	
14	281654509929	BEZEL WINDOW WINDING LH	1	
14	281654509930	BEZEL DUMMY WINDOW WINDING, RH	1	
15	281654608236	HARNESS MOUNTING BRACKET Z SHAPE	1	
16	281654608222	BRACKET FOR VSS CONNECTOR PARKING	1	



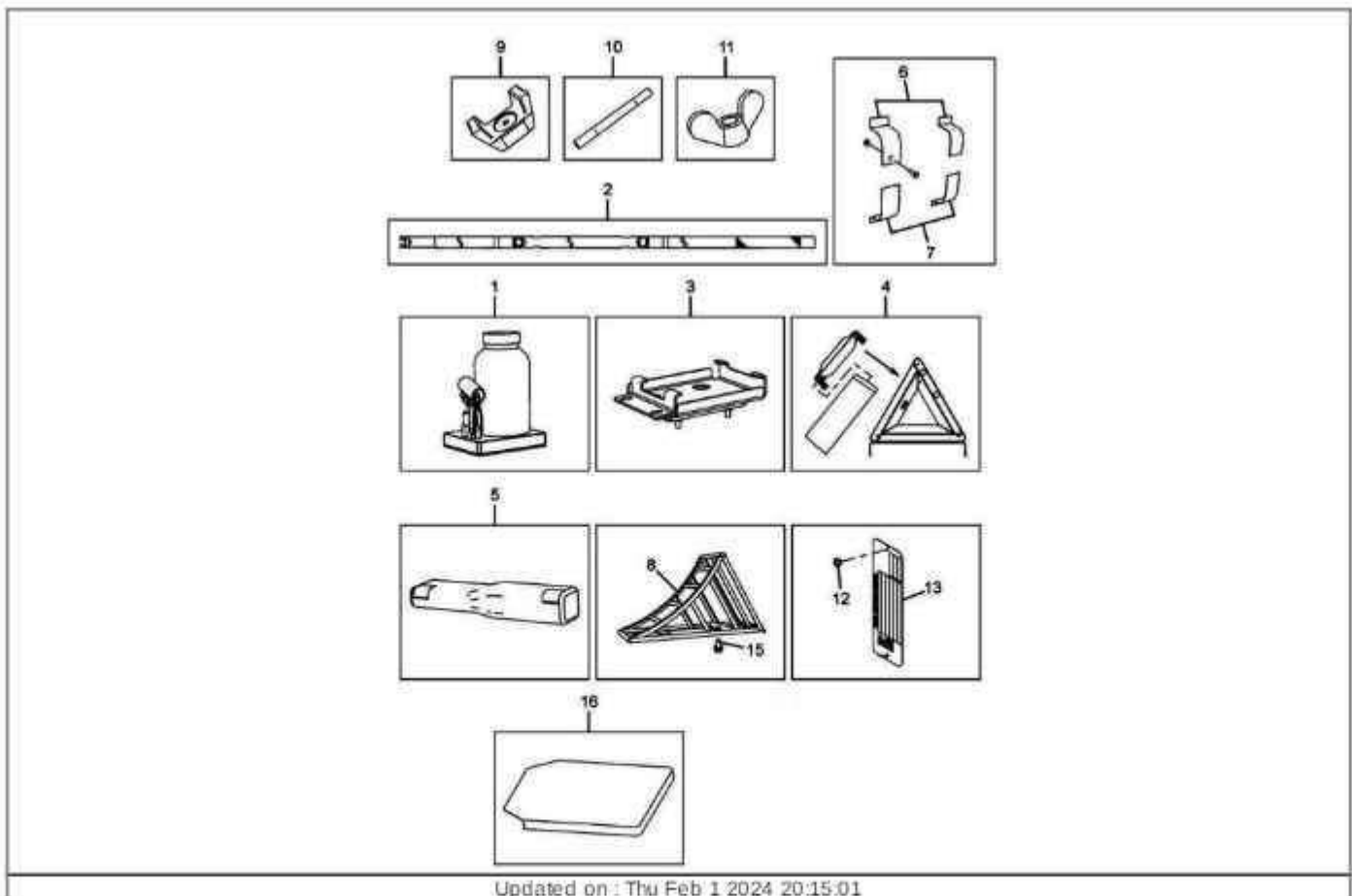
06/09/2017 20:15:49:00

2/11

Updated on : Thu Feb 1 2024 20:15:01

VC No : 50420552000R Group : (58) TOOLS Table : (5042035258R.01-TOOLS AND ACCESSORIES)

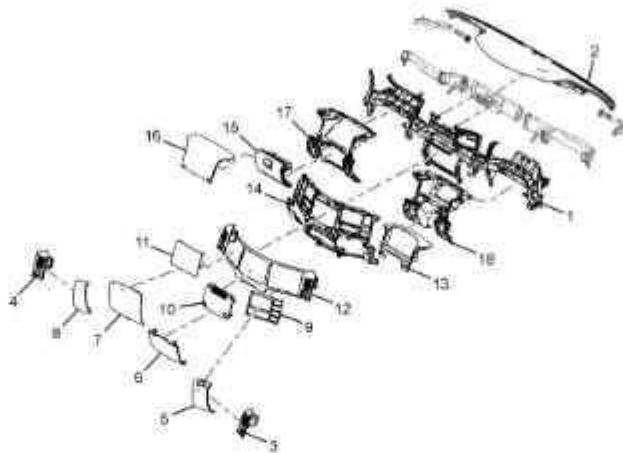
Fig.	Part No	Part Description	Qty	Remarks
1	3414100720	OIL JACK A-15TON W LEVER	1	
2	288058900114	ASSY JACK HANDLE	1	
3	288058604003	JACK MTG. BKT.(15 T)	1	
4	265158300106	ASSY ADVANCE WARNING TRIANGLE-PACOLINE	2	
5	275658900102	TOOL KIT - HCV (DOMESTIC)	1	
-	263258905001	TOOL BAG (HCV-DOMESTIC)	1	
-	257458900104	WHEEL SPANNER (30 - 32 A/F)	1	
-	257358109901	TOMMY BAR	1	
-	35033922106	ENGINEERS SCR.DRIVER 1.2X8X150 PR-IS844	1	
-	35010308109	SPANNER DEA C8X10 IS2028-CR.PLATED	1	
-	35010309113	SPANNER DEA C9X11 IS2028-CR PLATED	1	
-	35010313161	SPANNER DEA C13X16 IS2028 CR PLATED	1	
-	35010524278	RING SPANNER B-O 24X27 IS2029 CR.PLATED	1	
6	288058906306	STRAP WITH MALE VELLCRO	2	
7	288058906307	STRAP WITH FEMALE VELLCRO	2	
8	262858404004	WHEEL CHOCK-ANGLE 18X18X3 (HCVS)	2	Applicable before 19-Sep-2017
8	275158404004	WHEEL CHOCK-ANGLE 18X18X3(TWIN RA HCV)	2	Applicable from 19-Sep-2017
9	500458906001	SADDLE FOR JACK	1	
10	582326108806	STUD (M10)	1	
11	12220501009	WING NUT AM10 IS2636 SS9400	1	
12	263258408204	MANUFACTURERS PLATE(FOR LCV & HCV 2AXLEN	1	
13	13305298250	SNAP BLND RIVET 3.2X6 TS17508	2	
15	11341512257	HEX FL SCREW M12X25 TS17130 8.8SS8451-8C	2	
16	288058405001	CHASSIS RECORD BAG	1	



Updated on : Thu Feb 1 2024 20:15:01

VC No : 50420552000R Group : (60) BODY Table : (2816010768R.02-CONSOLE AND DASHBOARD)

Fig.	Part No	Part Description	Qty	Remarks
1	281668900101	ASSY CROSS MEMBER DASHBOARD COMPLETE C CAB RHD	1	
2	3655000400	ASSY TOP COVER DASHBOARD CENTER SOFT	1	
2	281668906304	TOP COVER DASHBOARD CENTER C CAB	1	
3	3899400070	AIR VENT COVER DASH RH	1	
4	3899400060	AIR VENT COVER DASH LH	1	
5	281668906321	COVER DASH DRIVER SIDE RH RHD	1	
6	281668906428	CENTER_COVER_LOWER_C_CAB_M0_VERSION	1	
7	281668906393	COVER DASHBOARD CO-DRIVER SIDE RH RHD WI	1	
8	281668906318	COVER DASH CO DRIVER SIDE LH RHD	1	
9	281668906314	FRAME GPS AND DIN MTG RHD	1	
10	281668906429	DUMMY_COVER_CENTER_CLUSTER	1	
11	281668906316	COVER ECU TOP RHD	1	
12	3655001980	COVER ASM-DASH CTR UPR C CAB	1	
13	3655000600	SHROUD ASM-IP CLUSTER	1	
14	36550003100B	ARMATURE ASSY DASH CTR C CAB	1	
15	281668900163	ASSY GLOVE BOX COMPLETE TML TYPE	1	
16	3655000210	COVER ASSY FUSE BOX	1	
17	3655000270	ARMATURE ASSY DASH PASS	1	
18	281668906303	ARMATURE_DASHBOARD_DRIVER_SIDE	1	



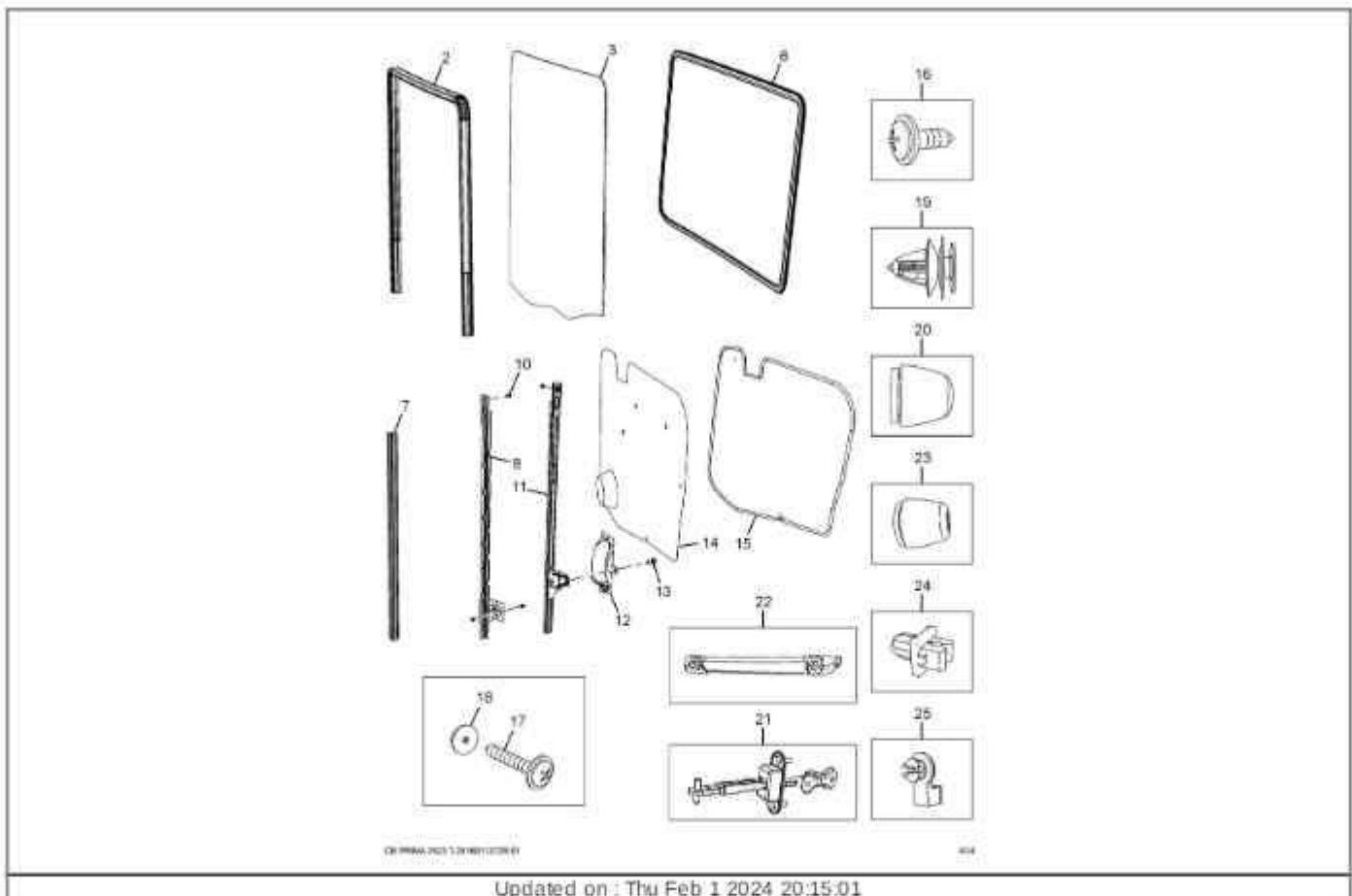
CP PRIMA Lx 1.0 (16010768R.02)

4/4

Updated on : Thu Feb 1 2024 20:15:01

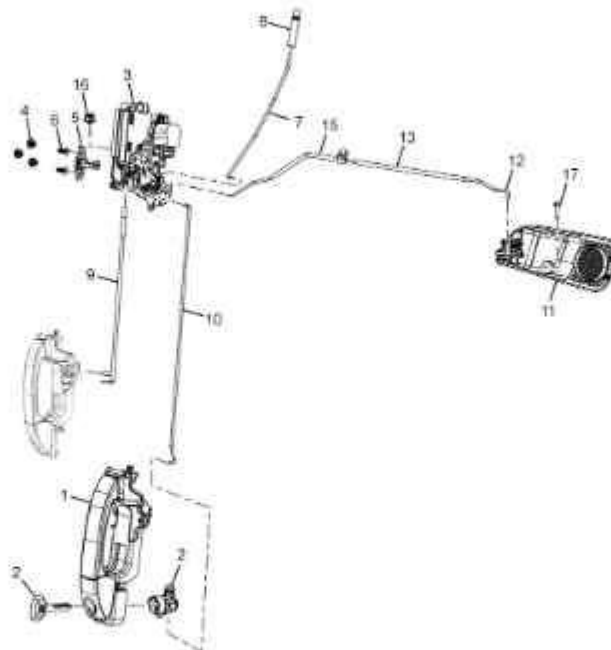
VC No : 50420552000R Group : (60) BODY Table : (2816011372R.01-FRONT DOOR GLASS AND MECHNISM)

Fig.	Part No	Part Description	Qty	Remarks
2	281672506313	SEAL GLASS RUN CHANNEL TOP LH-MANUAL WIN	1	
2	281672506314	SEAL GLASS RUN CHANNEL TOP RH-MANUAL WIN	1	
3	281672502301	GLASS_WINDOW_DOOR_LH	1	
3	281672502302	GLASS WINDOW DOOR RH	1	
6	3614000770	ASSY OUTER BELT	2	
7	281672506315	SEAL GLASS RUN CHANNEL BOTTOM-MANUAL WIN	4	
8	281672300131	ASSY_FRONT_GLASS_RUN_CHANNEL_MTG_LH	1	
8	281672300132	ASSY_FRONT_GLASS_RUN_CHANNEL_MTG_RH	1	
10	11405606161	CR PAN HD SCREW M6X16 IS7483 SS8451S2-Y	4	
11	281672300142	ASSY_REAR_GLASS_RUN_CHANNEL_MTG_LH	1	
11	281672300143	ASSY_REAR_GLASS_RUN_CHANNEL_MTG_RH	1	
12	281672300142	ASSY_REAR_GLASS_RUN_CHANNEL_MTG_LH	1	
12	281672300143	ASSY_REAR_GLASS_RUN_CHANNEL_MTG_RH	1	
13	11341506125	HEX FL SCREW M6X12 TS17130-8.8-SS8451-8C	12	
14	281672306340	WATER BARRIER COVER DOOR	1	
14	281672306347	DOOR WATER BARRIER COVER RH	1	
15	281672307709	SEALANT FOR WATER BARRIER	AR	NOT SERVICED
16	11492498302	FL TAP SCR C-ST4.8X16 TS17249SS8451S2-Y	7	
17	11497396087	FL TAP SCR C-ST4.8X32 TS17249 SS8451S2-B	6	
18	267899706341	SCREW GROMMET M4 (VIPUL)	6	
19	-	CLIP BUTTON	8	Not serviced
20	281672300167	ASSY STOPPER DOOR	2	
21	281672300145	ASSY CHECK STRAP VENUS	2	
22	281672306303	GRAB HANDLE INNER DOOR LOWER LH	1	
22	281672306304	GRAB HANDLE INNER DOOR LOWER RH	1	



VC No : 50420552000R Group : (60) BODY Table : (2816011372R.02-FRONT DOOR LOCKING SYSTEM)

Fig.	Part No	Part Description	Qty	Remarks
1	281672300148	ASSY DOOR OUTER HANDLE RH (MINDA)	1	
1	281672300147	ASSY DOOR OUTER HANDLE LH (MINDA)	1	
2	-----	LOCK BARREL LH	1	NOT SERVICED
2	-----	LOCK BARREL RH	1	NOT SERVICED
3	3641100750	DOOR LOCK UNIT ASM	1	
3	3641100760	CENTER DOOR LOCK UNIT ASSY RHD RH	1	
4	281672308001	SCREW LATCH	3	OPTIONAL
4	3083000550	M SCREW-BH M6X1 0P	3	OPTIONAL
5	281672300146	ASSY DOOR STRIKER	2	
6	281672308002	SCREW STRIKER	4	
7	281672306005	LINK POP-UP LH	1	
7	281672306006	LINK POP-UP RH	1	
8	281672306339	POP-UP KNOB DOOR	2	
9	281672306007	LINK ACTUATOR TO LATCH LH	1	
9	281672306008	LINK ACTUATOR TO LATCH RH	1	
10	281672306011	LINK LOCK BARREL TO LATCH LH	1	
10	281672306012	LINK LOCK BARREL TO LATCH RH	1	
11	281672300149	ASSY DOOR INNER HANDLE LH (MINDA)	1	
11	281672300150	ASSY DOOR INNER HANDLE RH (MINDA)	1	
12	281672306003	LINK DOOR HANDLE INNER LH	1	
12	281672306004	LINK DOOR HANDLE INNER RH	1	
13	281672308401	SLEEVE LINK DOOR HANDLE INNER	2	
15	281672308401	SLEEVE LINK DOOR HANDLE INNER	2	
16	265483106319	RETAINER (VENTILLTION CABLE)	2	
17	11493210221	TAP SCREW CST 4.8X22 TS17247 SSB451-8C	2	

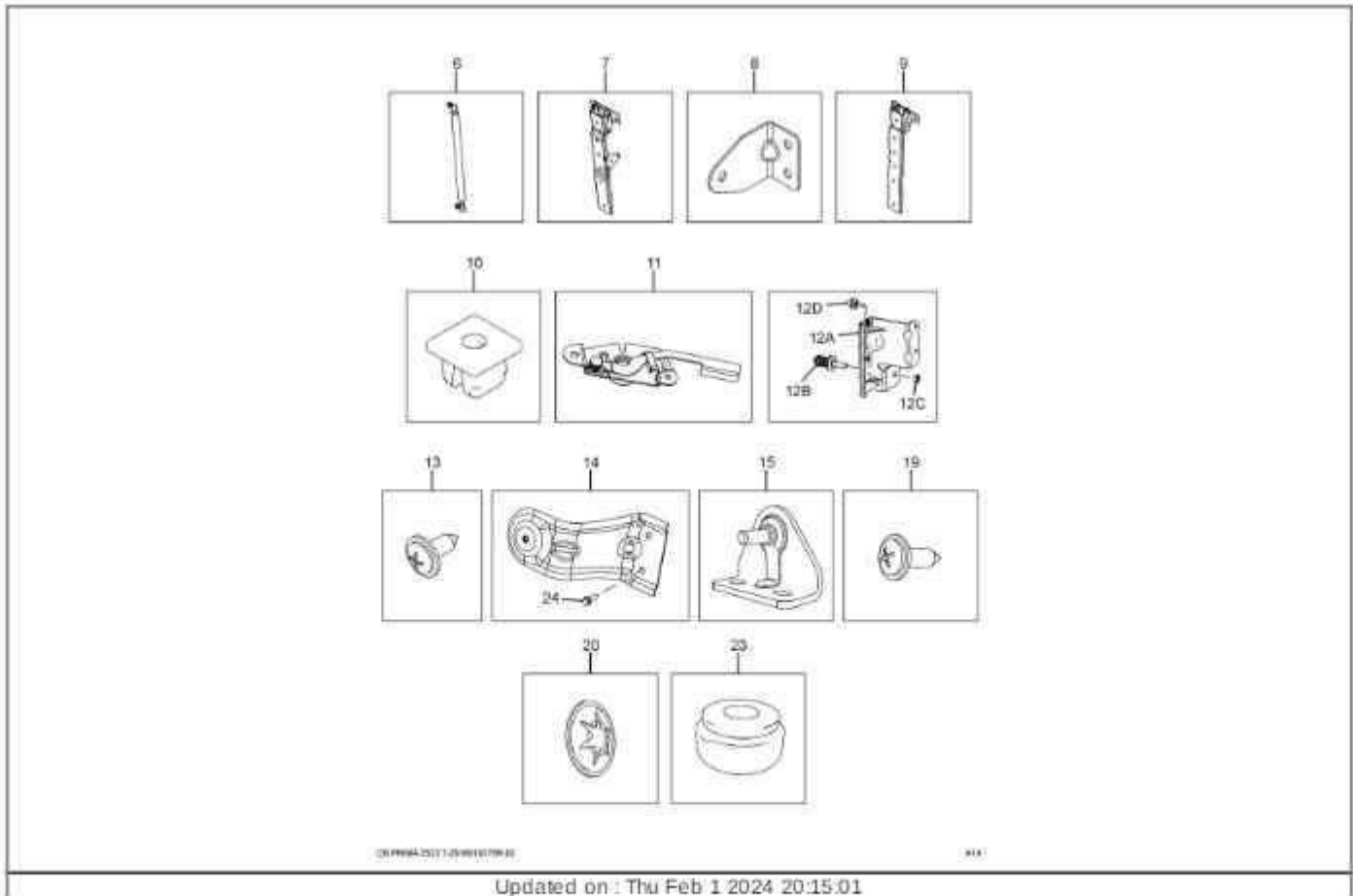


08/PRIMA Lx 2522.7 TC

416

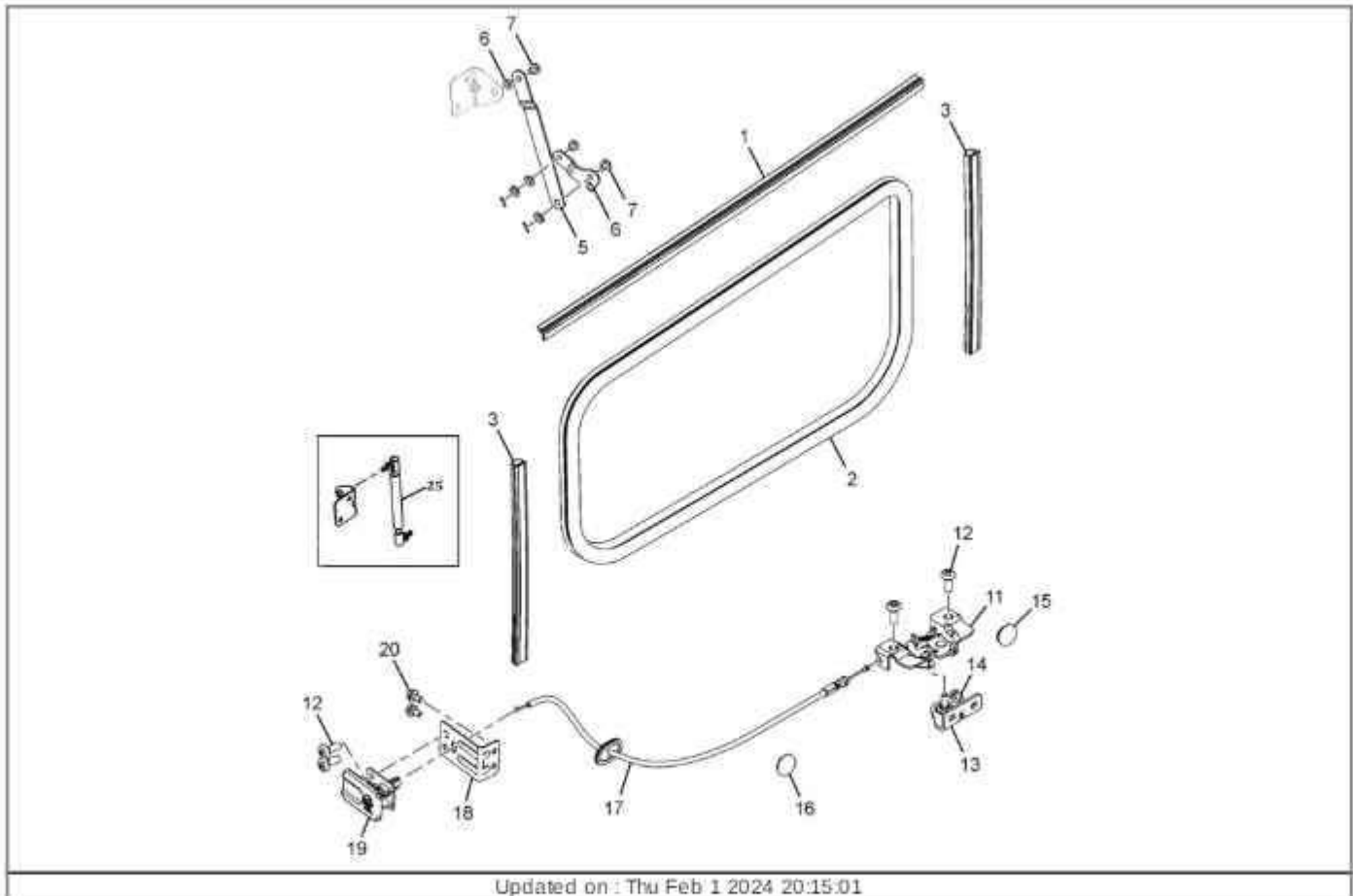
Updated on : Thu Feb 1 2024 20:15:01

VC No : 50420552000R Group : (60) BODY Table : (2816010375R.02-CENTER FLAP, AERO CORNER)				
Fig.	Part No	Part Description	Qty	Remarks
6	281675200168	ASSY GAS STRUT CENTER FLAP(PRAVI)	2	
7	281675200146	ASSY HINGE 4 BAR FLAP CENTER	1	
8	281675208201	MTG BRKT GAS STRUT BODY SIDE	2	
9	281675200147	ASSY FOUR BAR HINGE RH	1	
10	-	CLIP BUTTON	2	NOT SERVICEABLE
11	281675200164	CENTER FLAP LATCH ASSY BOTTOM LH	1	
11	281675200165	CENTER FLAP LATCH ASSY BOTTOM RH	1	
12A	281675200109	ASSY MTG BRKT LATCH LH	1	
12A	281675200111	ASSY MTG BKT LATCH RH	1	
12B	281675206707	STRIKER CENTER FLAP LATCH	2	
12C	12080896024	HEX THIN NUT M12 IS1364P4-05 SS8451-8C	2	NON SERVICEBLE PART
12D	281675200142	ASSY RUBBER BUFFER FLAP CENTER	2	
13	-	FL TAP SCR C-ST4.8X13 TS17249SS8451S2-Y	2	NON SERVICEBLE PART
14	281662700103	ASSY MTG BKT ASSY AERO CORNER CEN FR	2	
15	281675500117	ASSY STRIKER DIRTY STORAGE BOX(SHIVANI)	1	
19	11492498515	FL TAP SCR C-ST5.5X16 TS17249 SS8451-8C	20	NON SERVICEBLE PART
20	281675204305	NON RETURNABLE STAR WASHER (5 DIA)	22	
23	-	STOPPER SIDE DIRTY STORAGE BOX	2	
24	11071506209	HEX FL BOLT M6X20 TS17130-8.8-SS8451S2-Y	14	NON SERVICEBLE PART



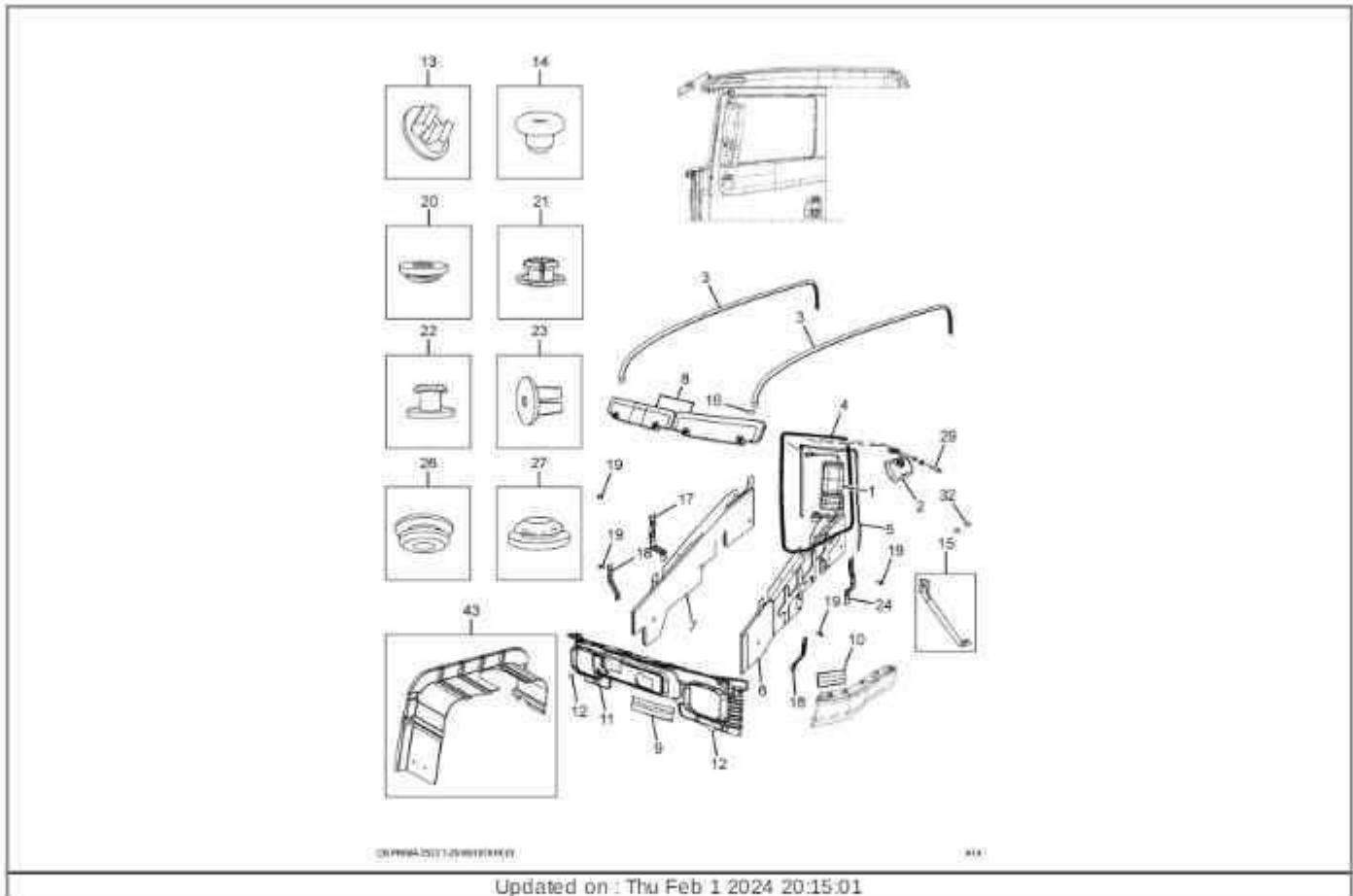
VC No : 50420552000R Group : (60) BODY Table : (2816010375R.03-DIRTY STORAGE BOX)

Fig.	Part No	Part Description	Qty	Remarks
1	281681106326	SEAL TOP LID DIRTY STORAGE BOX	2	
2	281675506302	SEAL DIRTY STORAGE LH	1	
2	281675506303	SEAL DIRTY STORAGE RH	1	
3	281681106325	SEAL SUPPORT LID DIRTY STORAGE BOX	4	
5	281675403302	LONG LINK DIRTY STORAGE BOX LH	1	
6	281675403301	SHORT LINK DIRTY STORAGE BOX LH	1	
7	281675206708	LOCK PIN LINK	4	
11	281675200153	ASSY LATCH DIRTY STORAGE BOX LH	1	
12	11405608202	CR PAN HD SCREW M8X20 IS7483 SS8451-8C	16	NON SERVICEBLE PART
13	281675500117	ASSY STRIKER DIRTY STORAGE BOX(SHIVANI)	2	
14	11405606102	CR PAN HD SCREW M6X10 IS7483 SS8451-8C	4	NON SERVICEBLE PART
15	281675507703	STOPPER REAR DIRTY STORAGE BOX	2	
16	-	STOPPER FRONT DIRTY STORAGE BOX	2	
17	281675500113	RELEASE CABLE DIRTY STORAGE BOX	2	
18	281675500115	ASSY MTG BKT RELEASE CABLE DIRTY STORAGE	2	
19	281675200143	ASSY LEVER RELEASE CABLE	2	
20	11341506125	HEX FL SCREW M6X12 TS17130-8.8-SS8451-8C	13	NON SERVICEBLE PART
25	281675500120	ASSY GAS STRUT DIRTY STORAGE BOX	1	



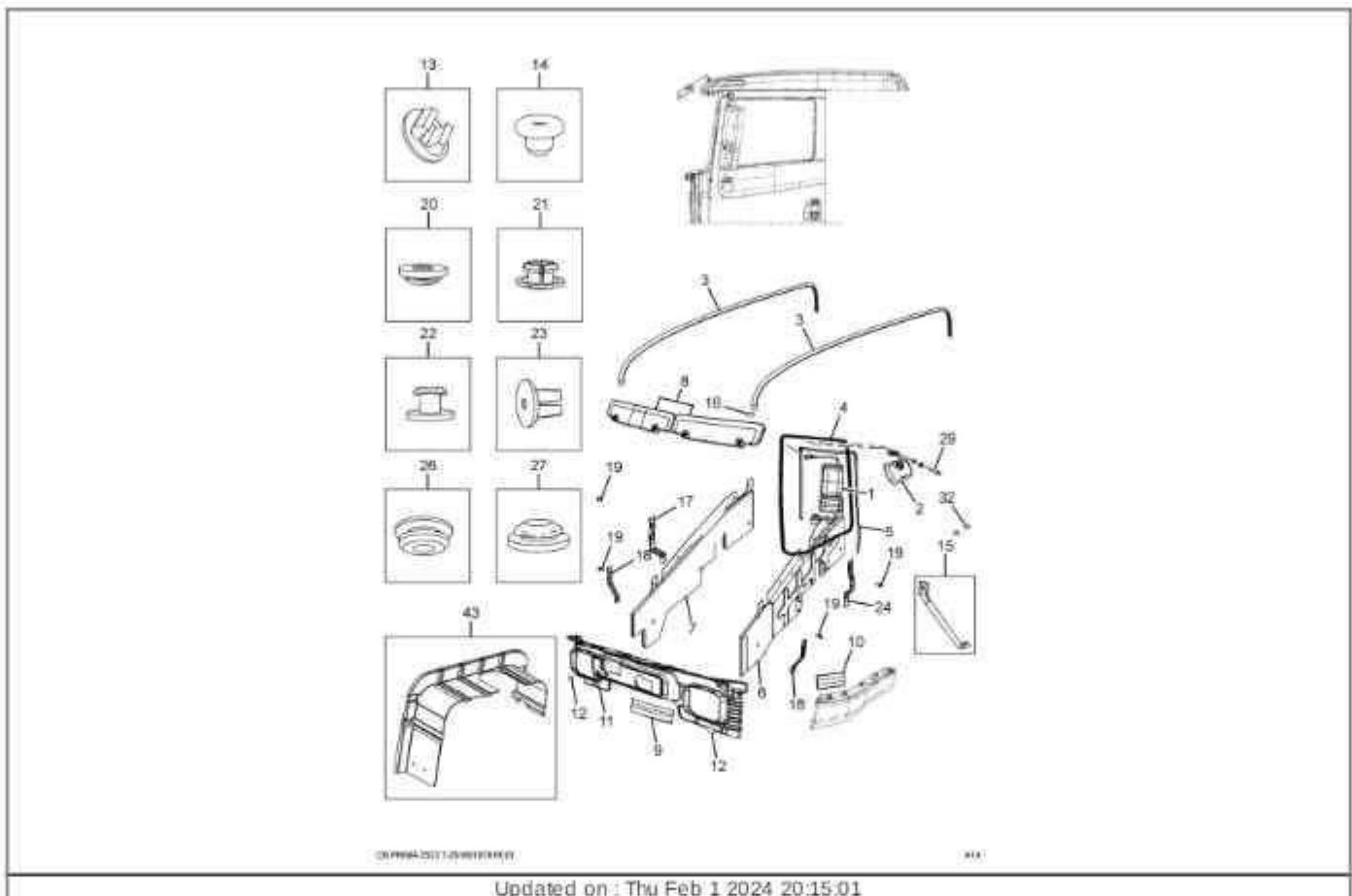
Updated on : Thu Feb 1 2024 20:15:01

VC No : 50420552000R Group : (60) BODY Table : (2816019781R.01-EQUIP. & INTERNAL FITTING)				
Fig.	Part No	Part Description	Qty	Remarks
1	281681100120	ASSY SET RVM MANUAL VERSION AIS	1	
2	281681100122	ASSY PROXIMITY MIRROR CO DRIVER SIDE AIS	1	
3	281681106312	EDGE BEAD ROOF NON SLEEPER	2	
4	281681106313	SEAL PRIMARY LH	1	
4	281681106314	SEAL PRIMARY RH	1	
5	281681106315	SEAL SECONDARY LH	1	
5	281681106316	SEAL SECONDARY RH	1	
6	281681906819	NOISE SHIELD UPPER LH SL RHD M0	1	
7	281681906852	NOISE SHIELD UPPER RH SL RHD M0	1	
8	281681100161	OFFER DRG ASSY SUNVISOR SIDE LH M0	1	
8	281681100162	OFFER DRG ASSY SUNVISOR SIDE RH M0	1	
9	281681000114	ASSY BRAND NAME WORLDTRUCK	1	
10	281681100154	ASSY MASCOT FOR 2523 T WORLDTRUCK	1	
11	281662606301	INSULATION INNER PANEL FIREWALL	1	
12	281681906304	PLUG BUTTON FOR FIREWALL OUTER HOLE DIA	2	
12	281681906309	PLUG BUTTON FOR REINF CAB MTG FRONT SLOT 8X12	2	
12	281681906310	PLUG BUTTON FOR PANEL DOOR APERTURE HOLE DIA 16	2	
12	281681906313	PLUG BUTTON FOR ROOF CENTER HOLE DIA 14	7	
12	281681906314	PLUG BUTTON FOR FIREWALL OUTER HOLE DIA 16	13	
12	281681906315	PLUG BUTTON FOR FLOOR INNER HOLE DIA 18	1	
12	281681906316	PLUG BUTTON FOR PANEL SKIN BODY SIDE SLOT 14X24	2	
12	281681906317	PLUG BUTTON FOR REINF CAB MTG FRONT SLOT 8X12	2	
12	281681906320	PLUG BUTTON FOR REARWALL UPPER	10	
12	281681906323	PLUG BUTTON FOR REINF REARWALL LOWER INNER	4	
12	281681906324	PLUG BUTTON FOR SIDE SILL INNER DIA 8,0	8	



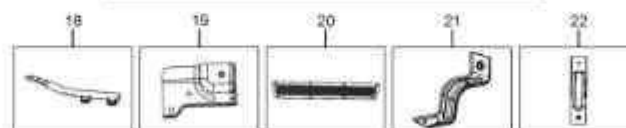
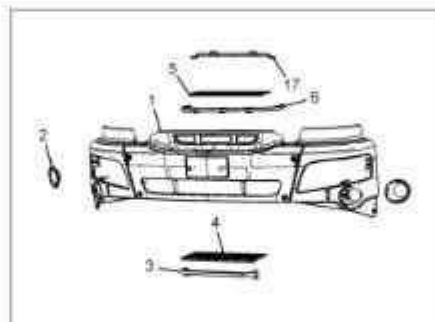
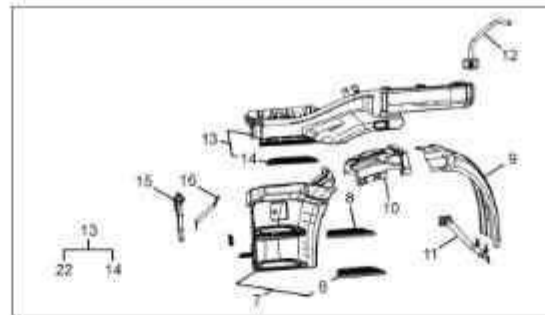
VC No : 50420552000R Group : (60) BODY Table : (2816019781R.01-EQUIP. & INTERNAL FITTING)

Fig.	Part No	Part Description	Qty	Remarks
12	281681906326	PLUG BUTTON FOR SIDE SILL OUTER FOR SLOT 10X14	4	
12	281681906303	PLUG BUTTON FOR ROOF SIDE HOLE DIA 16	2	
12	281681906305	PLUG BUTTON FOR FIREWALL OUTER HOLE DIA 20	6	
12	-	PLUG BUTTON FOR FIREWALL OUTER FOR SLOT 16X20	6	
12	281681906311	PLUG BUTTON FOR PANEL SKIN BODY SIDE SLOT 16X20	1	
13	281681906334	PLUG BUTTON FOR DOOR INNER PANEL BOTTOM 9X9 SLOT	16	
13	281681906333	PLUG BUTTON FOR DOOR INNER PANEL BOTTOM 8X8 SLOT	6	
13	281681906332	PLUG BUTTON FOR DOOR INNER PANEL BOTTOM HOLE DIA	2	
14	289481906309	PLUG - HOLE DIA 8	8	
15	281662200101	ASSY FRONT TUBE SUPPORT RH	1	
15	281662200102	ASSY FRONT TUBE SUPPORT LH	1	
16	281681906312	PLUG BUTTON FOR ROOF CENTER HOLE DIA 30	1	
17	281681900109	ASSY BKT SUPORT MIDDLE NOISE SHEILD	3	
18	281681900110	ASSY BKT SUPPORT FRONT NOISE SHEILD	1	
19	11341508225	HEX FL BOLT M10X30	8	
20	287081906318	GROMMET DIA 16X20 X1 61THK FOR CRS MBR CENTER FLOOR	2	
21	281681906308	PLUG BUTTON FOR REINF CAB MTG FRONT HOLE	1	
22	281681906320	PLUG BUTTON FOR REARWALL UPPER	1	
23	267899706341	SCREW GROMMET M4 (VIPUL)	2	
24	281681900109	ASSY BKT SUPORT MIDDLE NOISE SHEILD	3	
-	281681000128	REFLECTIVETAPEFOREXTERIOR TRIMSSLPRCABM0	1	
26	281681906328	PLUG BUTTON FOR FIREWALL OUTER INNER FOR HOLE 8X1	8	
27	289481906307	PLUG - DASH PANEL - DIA 12	1	
29	11411408304	CAP SCREW M8X30	2	
32	281681906321	PLUG BUTTON FOR PANEL BODY SIDE INNER(DIRTY STORA	4	



VC No : 50420552000R Group : (60) BODY Table : (2816013688R.01-FENDERS AND BUMPER)

Fig.	Part No	Part Description	Qty	Remarks
1	281688510168	ASSY. MIDDLE BUMPER, SLPR BS3/4	1	
2	281688516305	BEZEL WITH DUMMY FOG LAMP LH	1	
2	281688516306	BEZEL WITH DUMMY FOG LAMP RH	1	
3	281688528206	BUMPER FOOT STEP NSLPR M0	1	
4	281688520111	ASSY PIPE FOOT STEP STR SLPR M0	1	
5	281688528206	BUMPER FOOT STEP NSLPR M0	1	
6	281688520111	ASSY PIPE FOOT STEP STR SLPR M0	1	
7	281688100191	ASSY FENDER FRONT RH M0 VEHICLE	1	
7	281688100244	ASSY FENDER FRONT COMPLETE LH M0	1	
8	281688100111	FOOT BOARD ASSY,FENDER,LH	2	
8	281688100110	FOOT BOARD ASSY,FENDER,RH	2	
9	281688206329	FENDER REAR LH M0	1	
9	281688206330	FENDER REAR RH M0	1	
10	281669406324	LINING FENDER RR LH M0	1	
10	281669406326	LINING FENDER RR RH M0 NSLPR	1	
11	281688200153	ASSY STRUCTURE FENDER REAR LH M0	1	
11	281688200154	ASSY STRUCTURE FENDER REAR RH M0	1	
12	281688200155	FENDER REAR ASSY TOP MTG PIPE LH M0	1	
12	281688200156	FENDER REAR ASSY TOP MTG PIPE RH M0	1	
13	281666100109	ASSY COVER BODY MOUNTED STEP LH M0 NSLPR	1	
13	281666100110	ASSY COVER BODY MOUNTED STEP RH M0 NSLPR	1	
14	-	BODY MOUNTED STEP LH M0	1	NOT SERVICEABLE
15	281688103704	FENDER CASTING MTG BRACKET LH	1	
16	281688106901	PIPE FRONT LINEAR LH	2	
17	281688510204	ASSY BUMPER UPPER BRKT M0	1	



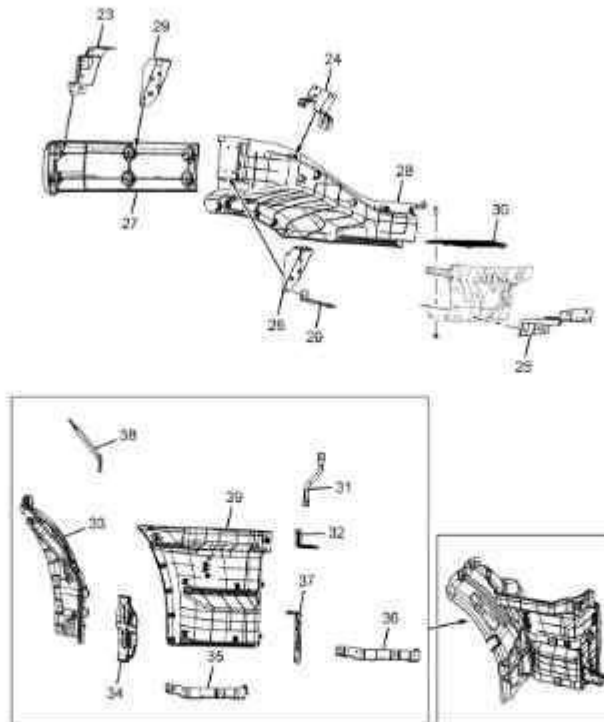
08/09/2017 10:00:00 AM

01/1

Updated on : Thu Feb 1 2024 20:15:01

VC No : 50420552000R Group : (60) BODY Table : (2816013688R.02-FENDERS AND BUMPER)

Fig.	Part No	Part Description	Qty	Remarks
23	281681000103	ASSY MTG BKTADD ON SIDE REAR LH	1	
23	281681000104	ASSY MTG BKTADD ON SIDE REAR RH	1	
24	281666203309	BKT SKIRT MTG REAR LH	1	
24	281666203310	BKT SKIRT MTG REAR RH	1	
25	281666203311	PANEL FOOT STEP REINFORCEMENT LH C	1	
25	281666203312	REINFORCEMENT PANEL FOOT STEP RH	1	
26	281681000115	ASSY MTG BRKT ADD ON BODY SIDE LH	2	
26	281681000116	ASSY MTG BRKT ADD ON BODY SIDE RH	2	
27	281681106303	ADD ON BODY SIDE LH SLP C	1	
27	281681106304	ADD ON BODY SIDE RH SLP C	1	
28	281666100109	ASSY COVER BODY MOUNTED STEP LH M0 NSLPR	1	
28	281666100110	ASSY COVER BODY MOUNTED STEP RH M0 NSLPR	1	
29	281666600108	ASSY BKT MIDDLE FENDER LINEAR MTG C CONS	2	
30	281666600117	ASSY FOOT STEP CTR FENDER LH M0	1	
30	281666600118	ASSY FOOT STEP CTR FENDER RH M0	1	
31	281688106902	PIPE TOP MTG FRT FENDER LH	2	
32	281688100214	ASSY BRKT FUPD MTG FENDER FRONT M0	1	
33	281688106334	LINER FENDER FRONT LH M0	1	
33	281688106335	LINER FENDER FRONT RH M0	1	
34	281688100219	ASSY BRKT REAR MTG FENDER FRONT LH M0	1	
34	281688100220	ASSY BRKT REAR MTG FENDER FRONT RH M0	1	
35	281688100221	ASSY FOOTSTEP FRAME FENDER BOTTOM LH M0	1	
35	281688100222	ASSY FOOTSTEP FRAME FENDER BOTTOM RH M0	1	
36	281688100216	ASSY STEP MTG FRAME FENDER FRONT LH M0	1	
36	281688100217	ASSY STEP MTG FRAME FENDER FRONT RH M0	1	



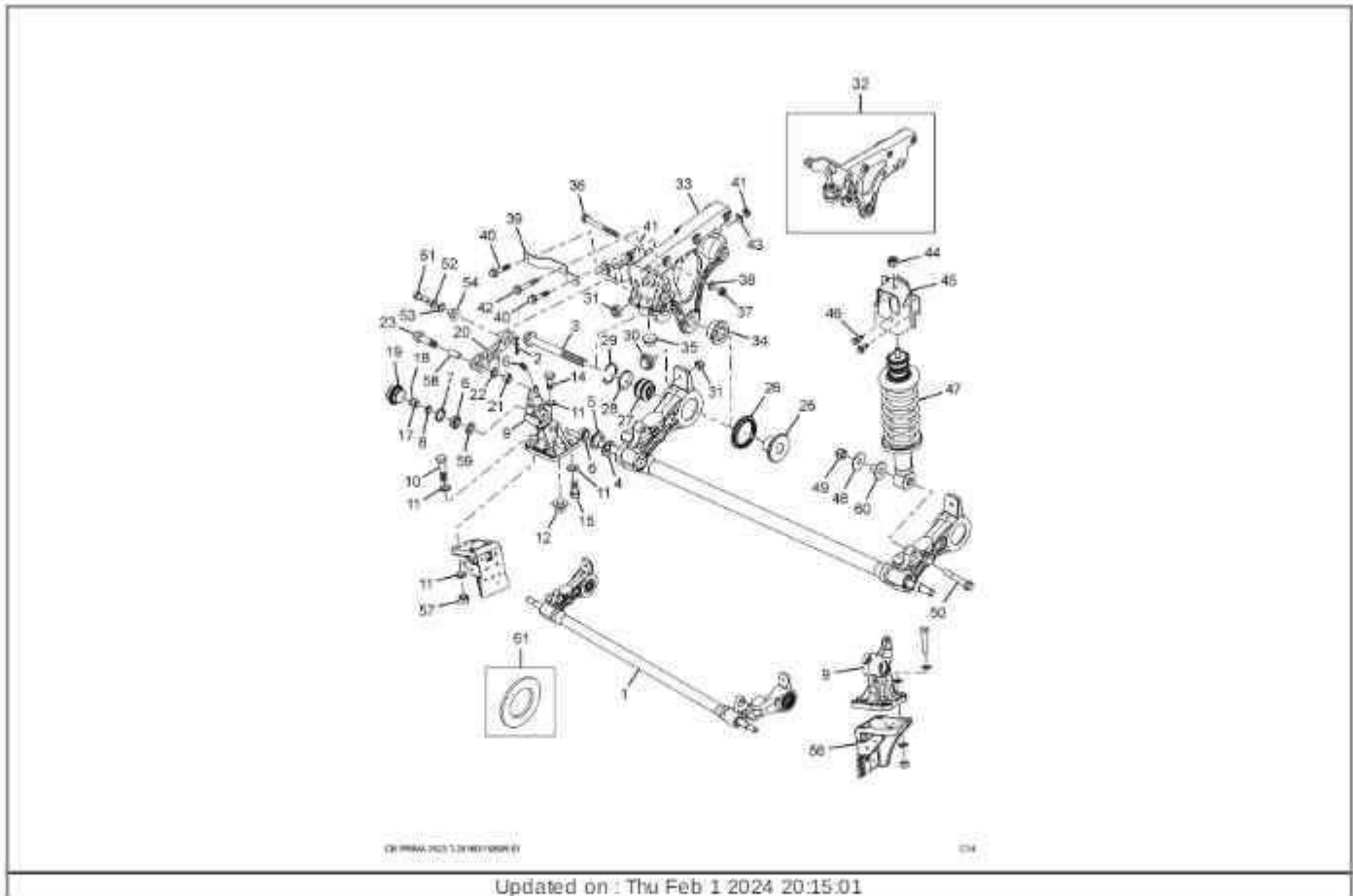
CP PRIMA Lx 1.0 (160110000) 07

414

Updated on : Thu Feb 1 2024 20:15:01

VC No : 50420552000R Group : (60) BODY Table : (2816011989R.01-BODY MOUNTINGS AND ACCESSORIES)

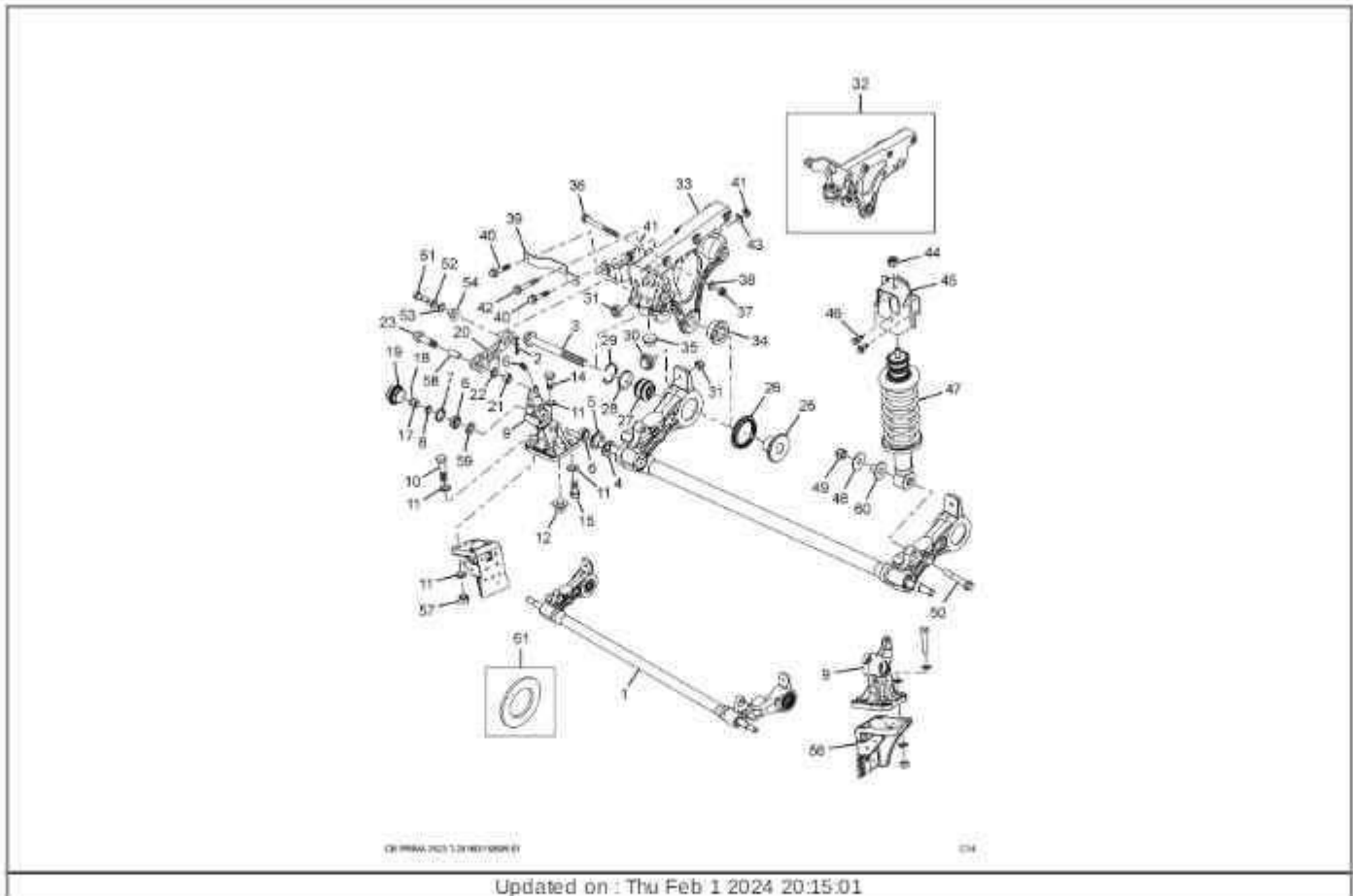
Fig.	Part No	Part Description	Qty	Remarks
1	281689100211	ASSY. STABILISER BAR WITH BUSH BS3/4	1	
2	281689106708	LOCKING PIN	2	
3	11071816968	FL BOLT M16X1.5X150 TS17130 10.9 SS8451-8CH	2	
4	281689109202	SLOTTED WASHER PIVOT ARM MTG	2	
5	281689100166	DUST SEAL PIVOT ARM MTG.FRONT	2	
6	15662020050	TR R BRG 25-4CC/47X15-32005X	4	
7	17061604006	OIL SEAL B40X50X7 NITRILE TS16282	2	
8	12520602001	SPRING WASHER B20 IS 3063-SS 8400	2	
9	281689103703	BRKT_FRONT_CAB_SUSP_UPPER_LH	1	
9	281689103704	BRKT_FRONT_CAB_SUSP_LOWER_NRH	1	
10	11064120656	HEX BOLT M20X1.5	4	
11	12460502100	BRIGHT WASHER 21 IS2016 ST SS8451-8C	10	
12	281689100206	ASSY CAB MOUNTING FRONT NUT PLATE	2	
14	11324220501	H/SCR.M20X1.5X50 IS13725 10.9 SS8451-8CH	2	
15	11324220455	HEX SCR M20X1.5X45 IS13725 10.9SS8451-8H	2	
16	17170600606	GREASE NIPPLE AM6 IS4009P2 SS8451S2-Y	2	
17	281689106501	SPL CASTLE NUT M20X1.5	2	
18	13155008401	SPLIT PIN 3.2X40-IS549-SS8451S2-Y	2	
19	281689107702	STABILIZER BAR BEARING DUST PROTECTION C	2	
20	281689103717	CAB TILT STOPPER	2	
21	12052296046	HEX NUT M8 IS1364P3-10-SS8451-8CH	2	
22	12460501308	BRIGHT WASHER 13 IS2016 ST SS8451-8C	4	
23	281689103211	SPL HEX FL BOLT M8	2	
25	281689103404	BUSH PIVOT ARM MTG	2	
26	281689100165	DUST SEAL PIVOT BUSH MTG.	4	



Updated on : Thu Feb 1 2024 20:15:01

VC No : 50420552000R Group : (60) BODY Table : (2816011989R.01-BODY MOUNTINGS AND ACCESSORIES)

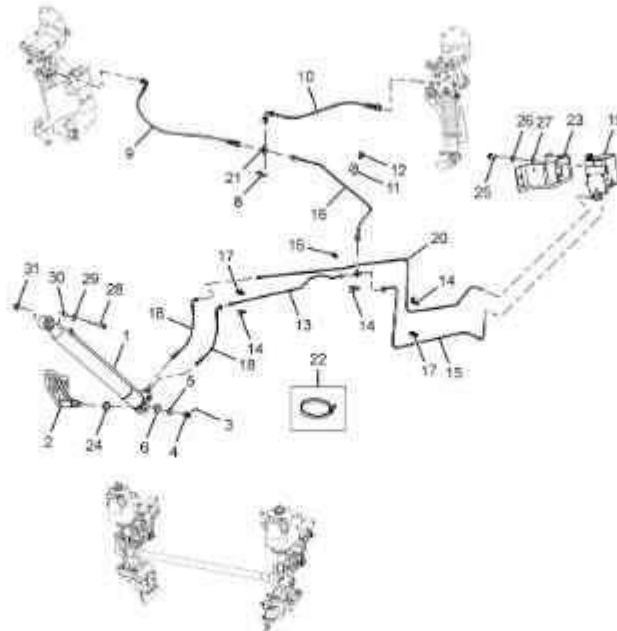
Fig.	Part No	Part Description	Qty	Remarks
27	281689110172	ASSY PIVOT BUSH	2	
28	281689108603	ABUTEMENT RING PIVOT BUSH	2	
29	14580608001	INTERNAL CIRCLIP 80X2.5N IS3075P2 SS8400	2	
30	281689100151	ASSY REBOUND STOPPER	2	
31	12301511009	HEX FL NUT BM10 TS17430-8-SS8451-8C	4	
32	-	ASSY BRKT.PIVOT ARM UPPER LH	1	
32	-	ASSY BRKT.PIVOT ARM UPPER RH	1	
33	281689103714	BRKY_PIVOT_ARM_UPPER_LH	1	
33	281689103715	BRKT_PIVOT_ARM_UPPER_NRH	1	
34	281689103403	BUSH PIVOTARM MTG BRASS	4	
35	281689100118	ASSY BUMP STOPPER	2	
36	281689103202	HEX FL BOLT M10X105	4	
37	12140501008	NYLOC NUT M10 IS7002-B-SS8451-8C	12	
38	12460501057	BRIGHT WASHER 10.5 IS2016 ST-SS8451-8C	8	
39	281689108241	SPACER PLATE CAB MOUNTING	2	
40	11071810455	FLBOLT M10X1.25X45TS17130 10.9SS8451-8CH	4	
41	12301901010	HEXFL NUT AM10X1.25TS17430 10SS8451S2-YH	6	
42	11071810609	FLBOLT M10X1.25X60TS17130 10.9SS8451-8CH	2	
43	12560801007	SPRING WASHER B10 TS17741 SS8400	2	
44	12140601401	NYLOC NUT M14X1.5 ISO-10512-8-SS8451-8C	2	
45	281689100149	ASSY BRKT FRONT SHOCK ABSORBER MTG LH	1	
45	281689100150	ASSY BRKT FRONT SHOCK ABSORBER MTG RH	1	
46	11341510220	HEX FL SCR M10X22 TS17130-8.8-SS8451-8C	16	
47	281689100239	ASSY.FRONT STRUT SLPR CAB BS2/3	2	
48	12655001504	WASHER A15 IS5370 ST SS8451S2-Y	2	



Updated on : Thu Feb 1 2024 20:15:01

VC No : 50420552000R Group : (60) BODY Table : (2816011989R.03-BODY MOUNTINGS AND ACCESSORIES)

Fig.	Part No	Part Description	Qty	Remarks
1	-----	OFFER DRG HYDRAULIC CAB TILT CYLINDER M0	1	G197531 / 2
1	281689110166	HYD. CYLINDER CAB TILTING BS3/4	1	G197531 / 2
2	281689103719	BRKT TILT CYLINDER LWR CURSOR 9 RHD	1	
3	13150608320	SPLIT PIN 3.2X32 IS549 SS8451-8C	2	
4	12102096043	CASTLE NUT M16X1.5 IS2232-8-SS8451-8C	2	
5	12460501707	BRIGHT WASHER 17 IS2016 ST SS8451-8C	2	
6	281689109204	WASHER CYLINDER CAB TILT	2	
8	281689108239	BRKT TEE COUPLER MTG CROSS MEMBER	1	
9	281689100162	HOSE RH LATCH TO T CONNECTOR	1	
9	281689100161	HOSE LH LATCH TO T CONNECTOR	1	
24	281689108268	BRACKET HYDRAULIC PIPE MTG SLEEPER CAB	1	
25	-	PIPE HAND PUMP PUSH PORT TO TEE RHD	2	Serviced under 281689110140
26	281689110137	ASSY PIPE HOSE TO TEE JOINT RHD	1	
27	281689118224	BRACKET HYDRAULIC PIPE MTG SLPR M0 CAB	3	
28	281689110140	ASSY PIPE HAND PUMP PUSH PORT TO TEE RHD	1	
29	281689110141	ASSY PIPE TEE TO TEE JOINT RHD	1	
30	281689110177	DOUBLE CLAMP	2	
31	281689100188	ASSY HOSE SUPPORT BRKT TO TEE COUPLER	2	
19	281689110154	ASSY CAB TILT PUMP MANUAL M/S DONGIN LHD	1	G193248 / 2
19	-----	OFFER DRG HAND PUMP CAB TILT LHD M0 CAB	1	G193248 / 2
10	281689110138	ASSY PIPE HOSE TO HAND PUMP PULL PORT	1	
11	281689106803	TEE JOINT	2	
12	62196058350	CABLE TIE	2	
13	281689104302	P TYPE CLAMPS	2	
14	281689109208	WASHER BRKT TILT CYLINDER LWR CURSOR 9 RHD	2	



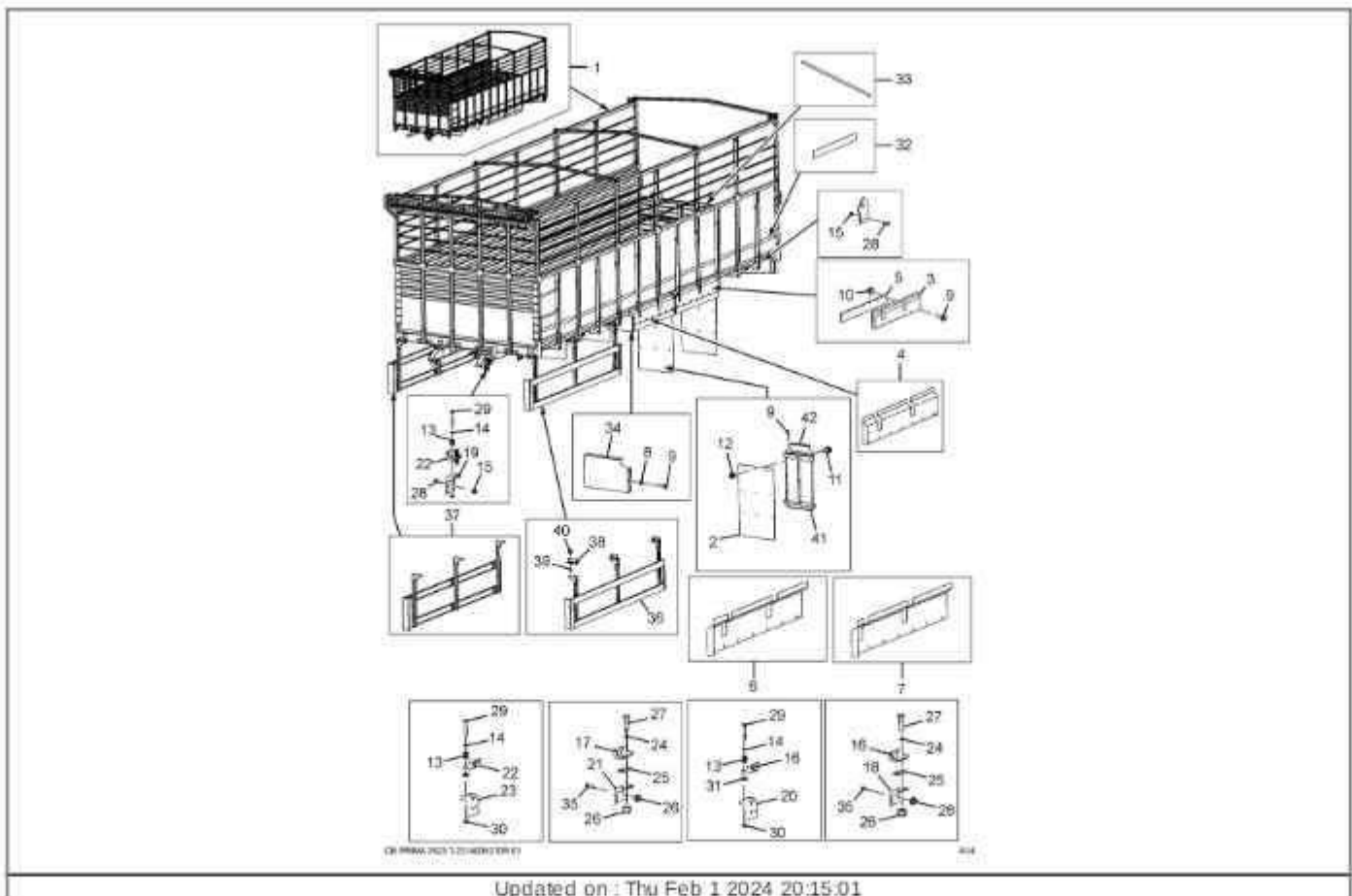
CP PRIMA Lx 1.211011989R.03

034

Updated on : Thu Feb 1 2024 20:15:01

VC No : 50420552000R Group : (70) LOAD BODY Table : (2214035270R.01-LOADBODY FOR 2523.T M0/52WB)

Fig.	Part No	Part Description	Qty	Remarks
1	221470000112	ASSY LOADBODY COMPLETE	1	
2	221470906301	MUDFLAP SPRAY SUPPRESSION	4	
3	221470118201	SPRAY SUPPRESSION SIDE COVER(LH)-REAR FOR LPT-2528	1	
4	221470118202	SPRAY SUPPRESSION SIDE COVER(LH)-FRONT FOR LPT 252	1	
5	221470906306	SIDE FLAP COVER SIDE GUARD SPRAY SUPPRESSION	4	
6	221470118203	SIDE COVER SPRAY SUPPRESSION (RH)-REAR SIDE FOR LP	1	
7	221470118204	SIDE COVER SPRAY SUPPRESSION(RH)-FRONT SIDE FOR LP	1	
8	12460501057	BRIGHT WASHER 10.5 IS2016 ST SS8451-8C	42	
9	11323910351	HEX SCREW M10X35 IS1364P2-B.8 SS8451-8C	42	
10	12140701007	NYLOC NUT M10 IS7002-10-SS8451-BCH	42	
11	11324508181	HEX SCREW M8X18 IS1364P2-B.8-SS8451S2-Y	36	
12	12140700809	NYLOC NUT M8 IS7002-10-SS8451-BCH	36	
13	221470808701	COMPRESSION SPRING RESILENCE MOUNTING	12	
14	221470809202	WASHER LOADBODY MOUNTING	12	
15	12301501411	HEX FL NUT AM14X1.5 TS17430 8 SS8451-8C	48	
16	221470805001	MTG CLEAT	12	
17	221470805008	RESILINSE MTG BKT	2	
18	221470805006	RESILIENSE MTG BKT	8	
19	221470805005	RESILENCE MTG BKT	2	
20	221470805002	RESILIENSE MTH BKT (BOTTOM)	2	
21	221470805007	RESILINSE MTG BKT	2	
22	221470805003	RESILENCE MTG BKT (TOP)	2	
23	221470805004	RESILENCE MTG BKT	2	
24	12460501502	BRIGHT WASHER 15 IS2016 ST SS8451-8C	40	
25	221470807701	BALATA PACKING	10	



Updated on : Thu Feb 1 2024 20:15:01

