

Spanner - 27




**Rod Thread 24 x 1.5 & pin Dia 30 mm**  
**Ball Pin Nut Thread 18 x 1.5**

**FZW361**

1210/ 1312/ 2416/ 1512/ 1516 /1109  
Ex Swaraj Mazda – 4x4 (Plug Type)

Spanner - 19



**Rod Thread 18 x 1.5 & Pin Dia 26 mm**  
**Nut Thread 12 x 1.5 - Sealed**

**FZW362 A**

407

Spanner - 22




**Rod Thread 20 x 1.5,**  
**Nut Thread 14 x 1.5 – Sealed**

**FZW363 A**

608/ Ra 307/ Tempo Traveller

Spanner - 24



**Rod Thread 20 x 1.5,**  
**Nut Thread 16 x 1.5 – Sealed**

**FZW364 A**

609/ 709/ 613

Spanner - 32



**Rod Thread 30 x 1.5 & Pin Dia 35 mm**  
**Ball Pin Nut Thread 20 x 1.5**

**FZW377**

Alfa 90/ Falcon – FA-90 (Same as 400 R - Different Taper On Goli)

Spanner - 19



**Rod Thread 20 x 1.5,**  
**Ball Pin Nut Thread 12 x 1.5**

**FZW384**

407 Turbo

Spanner - 17



**Rod Thread 14 x 1.5 & Pin Dia 22 mm**  
**Ball Pin Nut Thread 12 x 1.25**

**FZW385**

TATA ACE/ Maruti Van (RH+LH)

Spanner - 27




**Rod Thread 20 x 1.5 & Pin Dia 30 mm**  
**Ball Pin Nut Thread 18 x 1.5**

**FZW386**

Canter N/M – 11.10

Spanner - 27




**Rod 30 x 1.5 Nut Thread 18 x 1.5**  
**Mnr Taper 22.5 mm, Maj Taper 26 mm**

**FZW388**

LEY 2516 Ex/ 2214/ 3516 N/M –  
Taurus 10 Wheeler/ Hino N/M/ 3416

Spanner - 27



**Rod 30 x 1.5, Nut Thread 18 x 1.5**  
**Mnr Taper 20 mm, Maj Taper 22 mm**

**FZW388 A**

TATA 2515 Ex/ 1615 TC (Kit of 1312)

Spanner - 24




**Rod Thread 22 x 1.5 & Pin Dia 26 mm**  
**Ball Pin Nut Thread 16 x 1.5**

**FZW389**

TATA 712/ 709 Ex/ 909 Ex

Spanner - 17



**Rod Thread 14 x 1.5,**  
**Nut Thread 12 x 1.25**

**FZW390**

Magic Long



Spanner - 36

150 mm

Rod Thread 36 x 1.5 & pin Dia 38 mm  
Ball Pin Nut Thread 22 x 1.5

**FZW395**

AMW N/M




Spanner - 24

114 mm

Rod Thread 18 x 1.5 & Pin Dia 26 mm  
Nut Thread 16 x 1.5 - Sealed

**FZW397**

407 City Ride



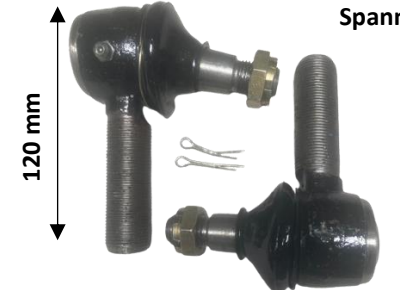
Spanner - 30

150 mm

Rod Thread 30 x 1.5,  
Nut Thread 20 x 1.5

**FZW400 R**

E-Jumbo/ L-4018/ Taurus 3516/ Hino Bus/ Tata 3718/ Ley-E.Comet 1112



Spanner - 24

120 mm

Rod Thread 24 x 1.5,  
Nut Thread 16 x 1.5

**FZW1180**

TATA 712 Ultra



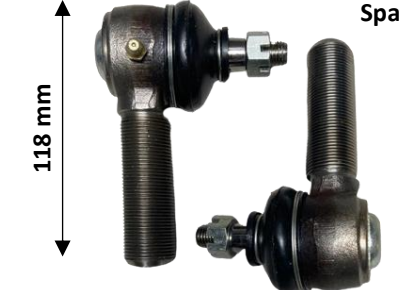
Spanner - 27

135 mm

Rod Thread 30 x 1.5  
Ball Pin Nut Thread 18 x 1.5

**FZW1189**

TATA Bus Ultra



Spanner - 19

118 mm

Rod Thread 24 x 1.5,  
Ball Pin Nut Thread 12 x 1.5

**FZW1190**

TATA Ultra



Spanner - 36

9.25"

Rod Thread 30 x 1.5 & Pin Dia 40 mm  
Ball Pin Nut Thread 24 x 1.5

**FZW1196**

Bharat Benz - 1617 Long




Spanner - 36

155 mm

Rod Thread 30 x 1.5 Pin Dia 40 mm  
Ball Pin Nut Thread 24 x 1.5

**FZW1197**

Bharat Benz - 3123



Spanner - 36

260 mm

Rod Thread 38 x 1.5 Pin Dia 40 mm  
Ball Pin Nut Thread 24 x 1.5

**FZW1198**

PRIMA

## HYDRAULIC CYLINDER END



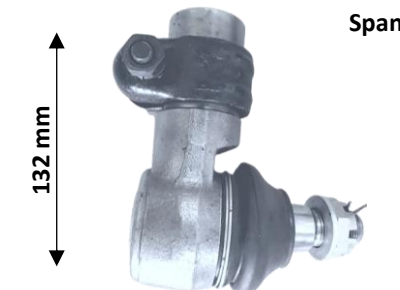
Spanner - 32

150 mm

Rod Thread 30 x 1.5, Pin Dia 40 mm  
Nut Thread 20 x 1.5

**FZW1199**

2518



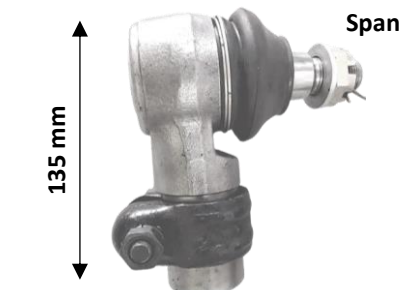
Spanner - 32

132 mm

Ball Pin Nut Thread 24 x 1.5  
Housing Thread 30 x 1.5

**FZW1194**

AWM



Spanner - 30

135 mm

Ball Pin Nut Thread 20 x 1.5  
Housing Thread 30 x 1.5

**FZW1195**

3118/Eicher